



US00D880459S

(12) **United States Design Patent**  
**Su**

(10) **Patent No.:** **US D880,459 S**  
(45) **Date of Patent:** **\*\* Apr. 7, 2020**

(54) **MICROPHONE**

(71) Applicant: **Shenzhen Hua Sirui Technology Co. Ltd.**, Shenzhen, Guangdong Province (CN)

(72) Inventor: **Kuo Su**, Shenzhen (CN)

(\*\*) Term: **15 Years**

(21) Appl. No.: **29/674,398**

(22) Filed: **Dec. 20, 2018**

(51) **LOC (12) Cl.** ..... **14-01**

(52) **U.S. Cl.**  
USPC ..... **D14/226**

(58) **Field of Classification Search**  
USPC ..... D14/226, 225, 228, 218, 188, 196, 160, D14/165, 167, 189, 210, 215, 216; D21/513; 84/454, 610, 609; 381/111, 381/113, 355, 359, 360, 361, 122, 188, 381/205, 158; 455/95, 117, 129, 90.3, 455/575.1, 569.1  
CPC . H04R 9/08; H04R 19/04; H04R 1/08; H04R 1/04; H04R 7/12; H04R 7/18; H04R 9/02; H04R 3/00; H04R 25/00; H04R 5/02; H04R 25/02; H04R 5/00; H04R 1/20; H04R 1/02; H05K 5/00  
See application file for complete search history.

(56) **References Cited**

**U.S. PATENT DOCUMENTS**

- D247,705 S \* 4/1978 Armstrong ..... D14/228
- D247,706 S \* 4/1978 Armstrong ..... D14/228
- D277,852 S \* 3/1985 Watson ..... D14/228
- D282,063 S \* 1/1986 Watson ..... D14/228
- 4,694,499 A \* 9/1987 Bartlett ..... H04R 1/38  
381/160
- D295,759 S \* 5/1988 Kolich ..... D14/226
- D296,435 S \* 6/1988 Kubota ..... D14/228
- 4,817,153 A \* 3/1989 Fernandez ..... H04R 1/08  
381/111
- D310,368 S \* 9/1990 Derhaag ..... D14/225

- D317,472 S \* 6/1991 Sasaki ..... D14/225
  - D357,016 S \* 4/1995 Li ..... D14/155
  - D376,803 S \* 12/1996 Lee ..... D14/497
  - 6,025,553 A \* 2/2000 Lee ..... G10H 1/365  
84/602
  - 6,061,457 A \* 5/2000 Stockhamer ..... H04R 1/00  
367/140
  - D449,041 S \* 10/2001 Koike ..... D14/228
  - 6,424,724 B1 \* 7/2002 Ming-Cheng ..... H04R 1/08  
381/355
  - D462,343 S \* 9/2002 Wang ..... D14/225
- (Continued)

**FOREIGN PATENT DOCUMENTS**

- CN 305446731 \* 11/2019
- CN 305509859 \* 12/2019
- CN 305575057 \* 1/2020

*Primary Examiner* — Paula Allen Greene  
(74) *Attorney, Agent, or Firm* — Novoclaims Patent Services LLC; Mei Lin Wong

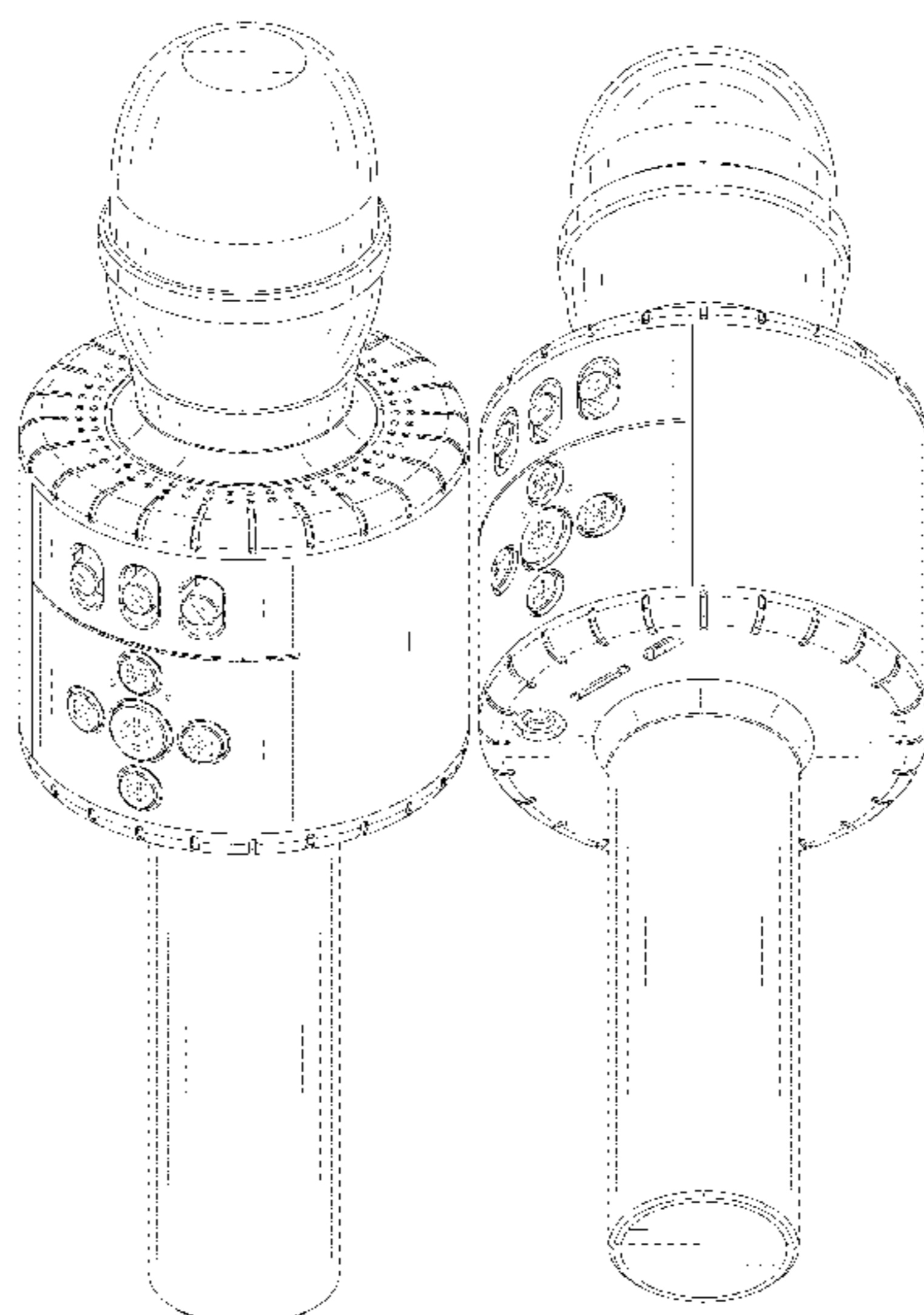
(57) **CLAIM**

The ornamental design of a microphone, as shown and described.

**DESCRIPTION**

FIG. 1 is a front perspective view of a microphone, showing my new design;  
FIG. 2 is a front bottom perspective view thereof;  
FIG. 3 is a rear bottom perspective view thereof;  
FIG. 4 is a front view thereof;  
FIG. 5 is a rear view thereof;  
FIG. 6 is a left side view thereof;  
FIG. 7 is a right side view thereof;  
FIG. 8 is a top view thereof; and,  
FIG. 9 is a bottom view thereof.  
The broken lines depict environment that forms no part of the claimed design.

**1 Claim, 9 Drawing Sheets**



(56)

References Cited

U.S. PATENT DOCUMENTS

D462,947 S \* 9/2002 Kung ..... D14/228  
 6,463,159 B1 \* 10/2002 Ming-Cheng ..... H04R 1/08  
 381/355  
 D475,699 S \* 6/2003 Thornton ..... D14/228  
 D478,068 S \* 8/2003 Sundquist ..... D14/228  
 D479,836 S \* 9/2003 Thornton ..... D14/228  
 6,671,382 B2 \* 12/2003 Chen ..... H01R 35/02  
 381/189  
 D495,319 S \* 8/2004 Lee ..... D14/226  
 D498,232 S \* 11/2004 Ruhrig ..... D14/228  
 D500,031 S \* 12/2004 Hong ..... D14/228  
 D507,262 S \* 7/2005 Liu ..... D14/228  
 6,968,070 B1 \* 11/2005 Chiang ..... H04R 1/08  
 381/355  
 D512,994 S \* 12/2005 Lee ..... D14/497  
 D519,499 S \* 4/2006 Lee ..... D14/497  
 D530,705 S \* 10/2006 Shen ..... D14/225  
 D538,272 S \* 3/2007 Lee ..... D14/228  
 D549,209 S \* 8/2007 Bauman ..... D14/155  
 D557,691 S \* 12/2007 Lee ..... D14/228  
 D579,445 S \* 10/2008 Lee ..... D14/228  
 D582,428 S \* 12/2008 Lee ..... D14/496  
 D587,250 S \* 2/2009 Cai ..... D14/227  
 D589,032 S \* 3/2009 Lee ..... D14/228  
 D598,011 S \* 8/2009 Thusbass ..... D14/225  
 D607,441 S \* 1/2010 Yamakawa ..... D14/225  
 D612,367 S \* 3/2010 Lee ..... D14/228

D615,529 S \* 5/2010 Kearns ..... D14/207  
 D619,619 S \* 7/2010 Lee ..... D14/228  
 D620,954 S \* 8/2010 Lee ..... D14/228  
 D655,696 S \* 3/2012 Lee ..... D14/228  
 8,406,446 B2 \* 3/2013 Akino ..... H04R 1/2876  
 381/354  
 D694,221 S \* 11/2013 Shears ..... D14/225  
 8,965,026 B2 \* 2/2015 Kamin-Lyndgaard .....  
 H04N 5/772  
 381/361  
 D734,740 S \* 7/2015 Erbeus ..... D14/214  
 D740,792 S \* 10/2015 Jobetto ..... D14/225  
 D791,742 S \* 7/2017 Lai ..... D14/225  
 D807,327 S \* 1/2018 Xiong ..... D14/216  
 D813,208 S \* 3/2018 Nie ..... D14/226  
 D836,615 S \* 12/2018 Su ..... D14/226  
 10,334,340 B2 \* 6/2019 Su ..... H04R 1/08  
 D868,042 S \* 11/2019 Yang ..... D14/226  
 2005/0185811 A1 \* 8/2005 Song ..... H04R 19/005  
 381/355  
 2014/0360805 A1 \* 12/2014 Berkman ..... H04R 1/02  
 181/141  
 2015/0098602 A1 \* 4/2015 Levinsohn ..... G09F 7/18  
 381/361  
 2017/0316767 A1 \* 11/2017 You ..... G10H 1/361  
 2018/0262842 A1 \* 9/2018 Komatsu ..... H04R 7/127  
 2018/0376250 A1 \* 12/2018 Chiang ..... H04R 9/08  
 2019/0069060 A1 \* 2/2019 Su ..... H04M 1/271

\* cited by examiner

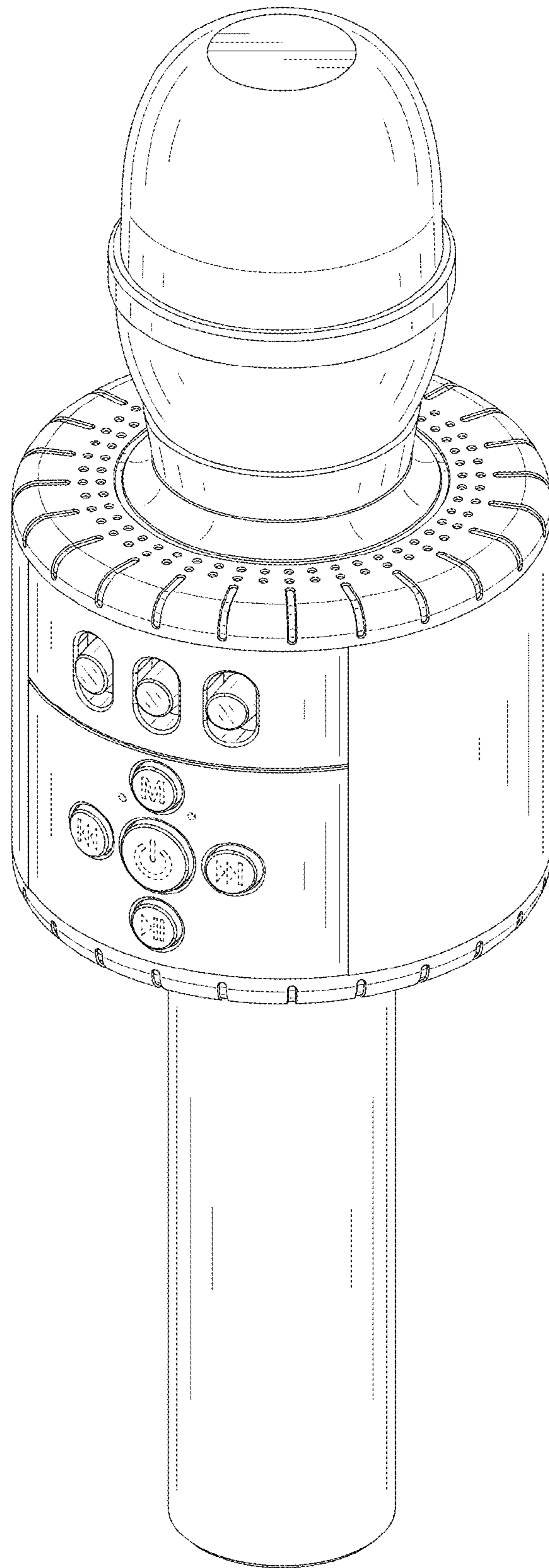


FIG.1

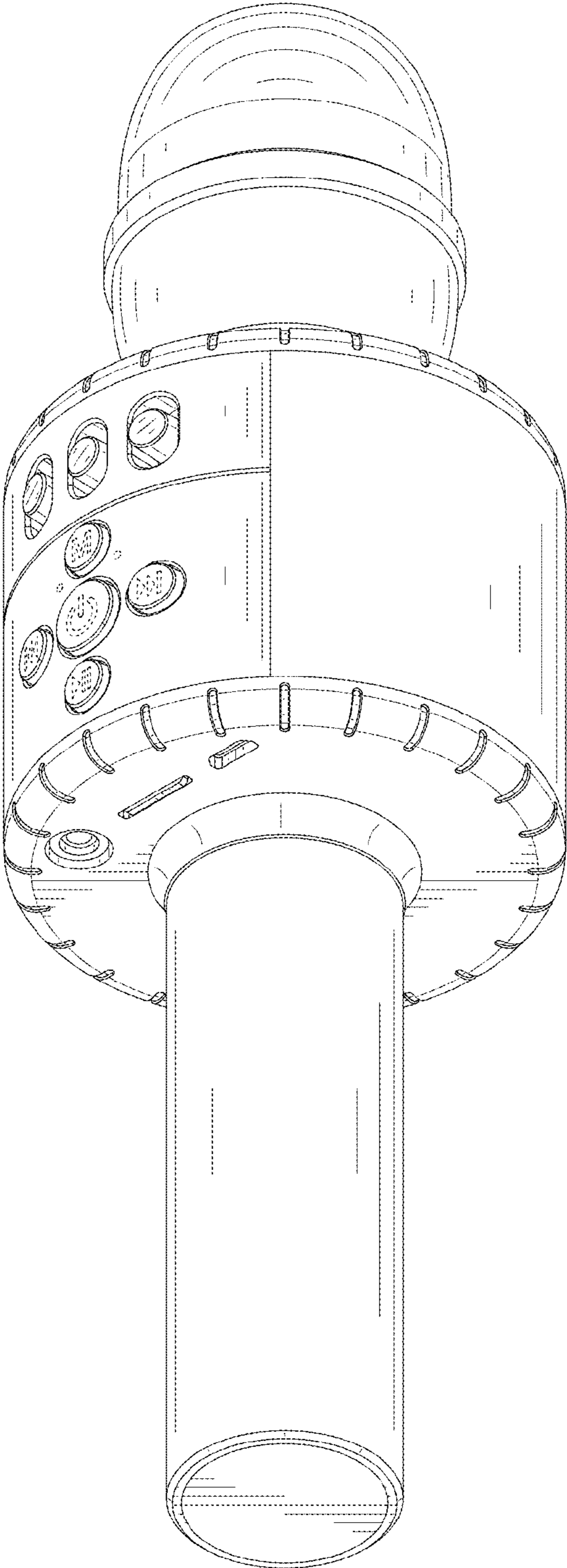


FIG.2

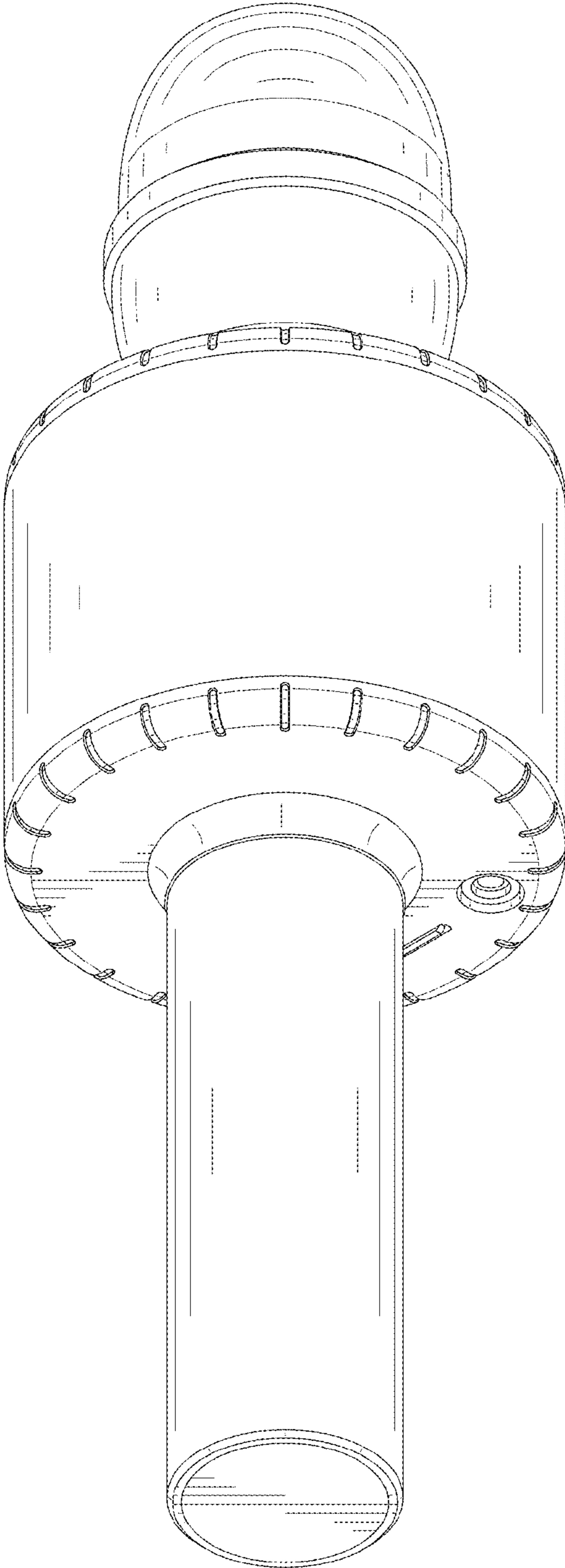


FIG.3

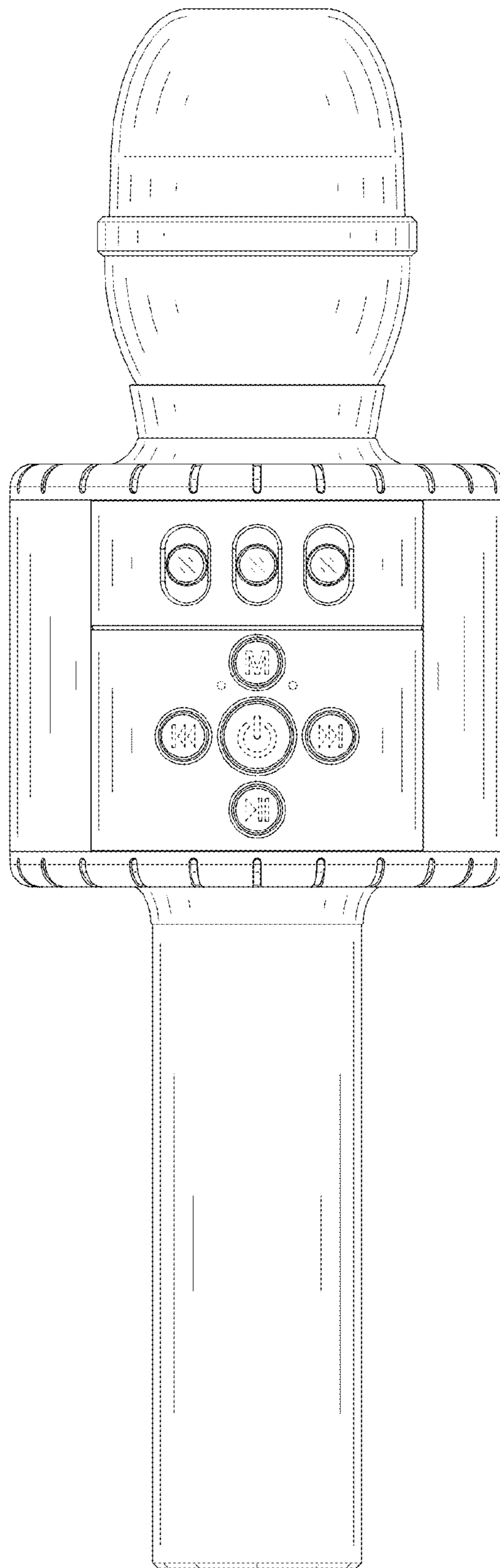


FIG.4

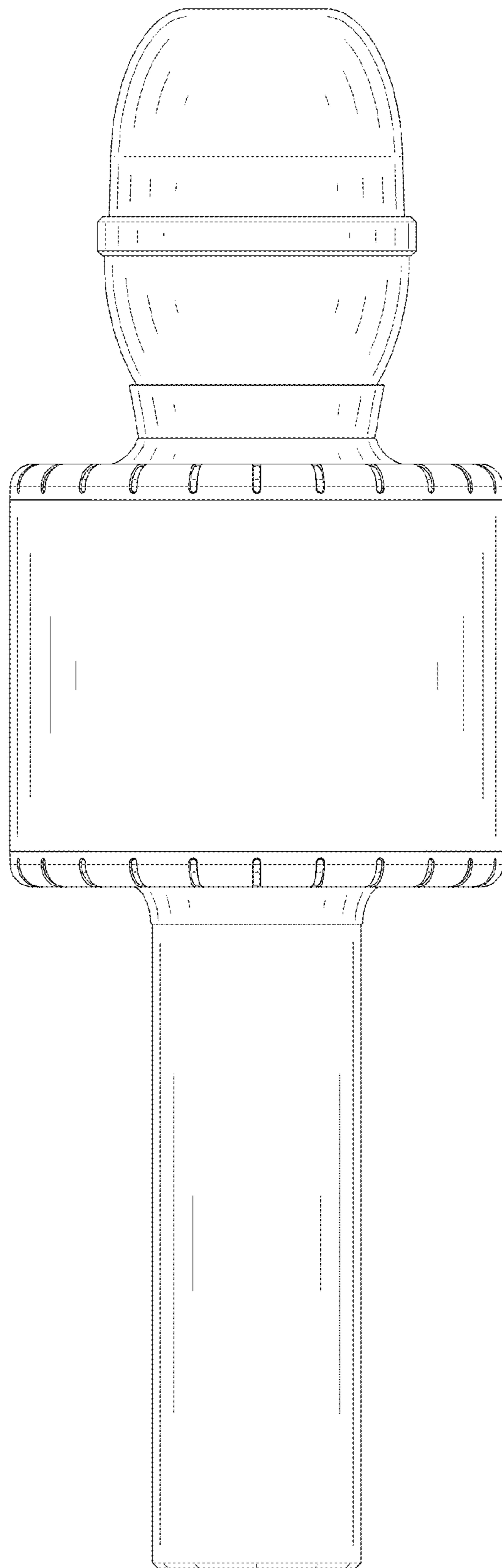


FIG.5

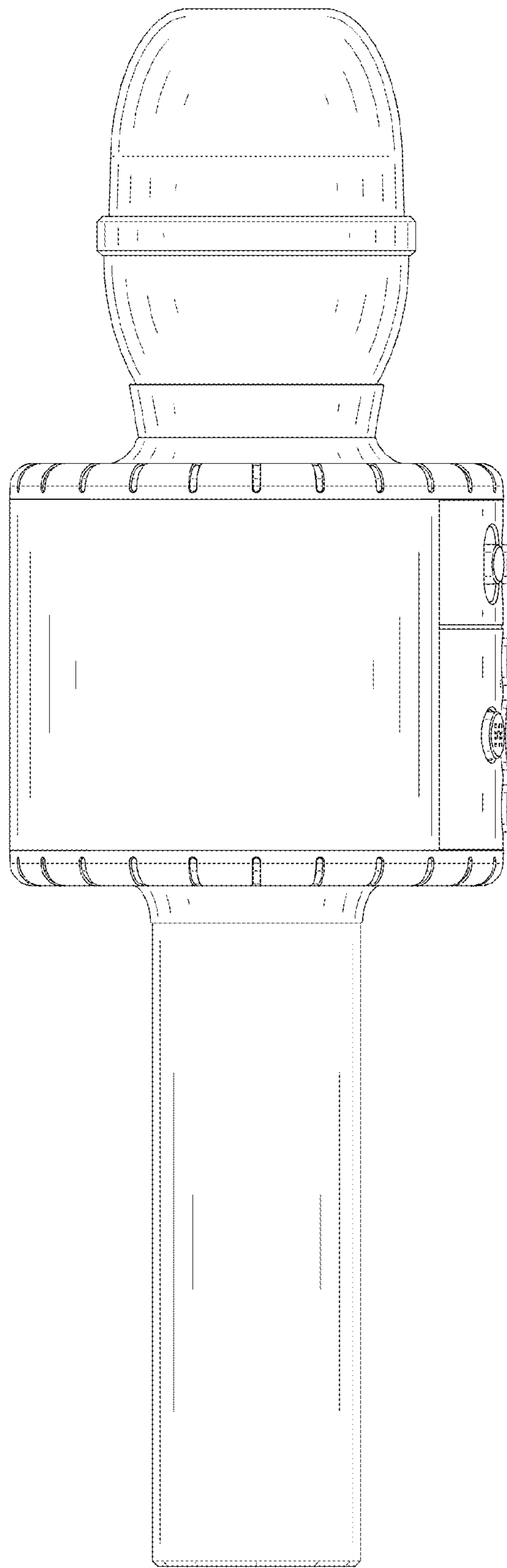


FIG.6



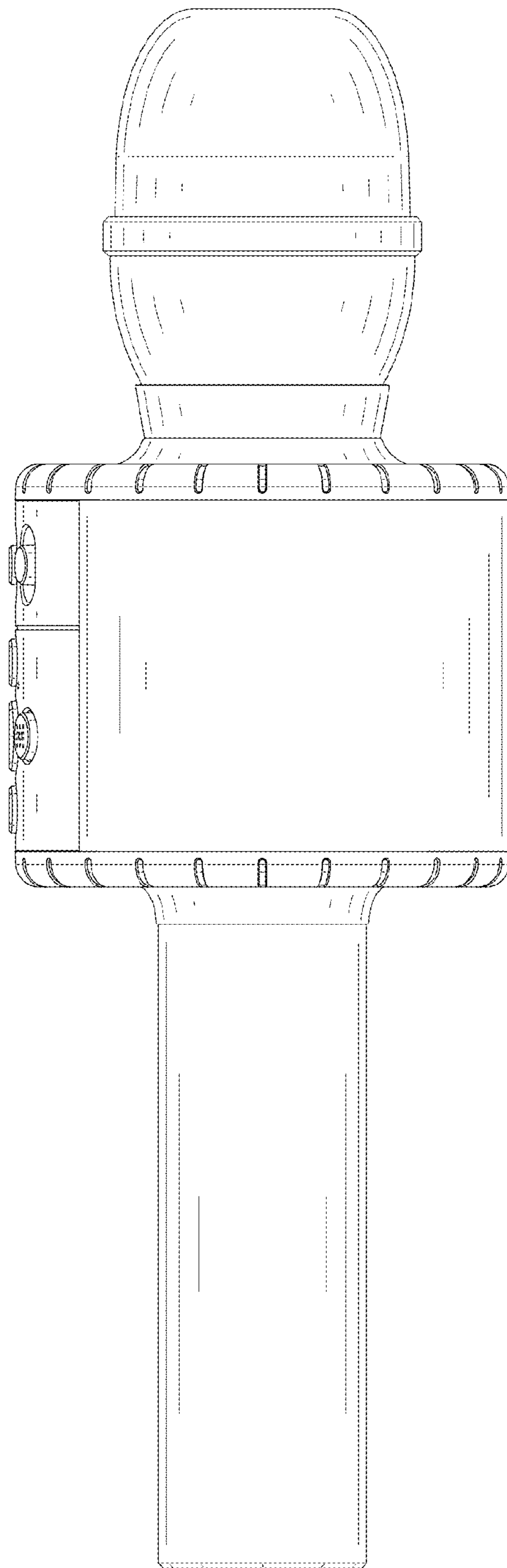


FIG.7

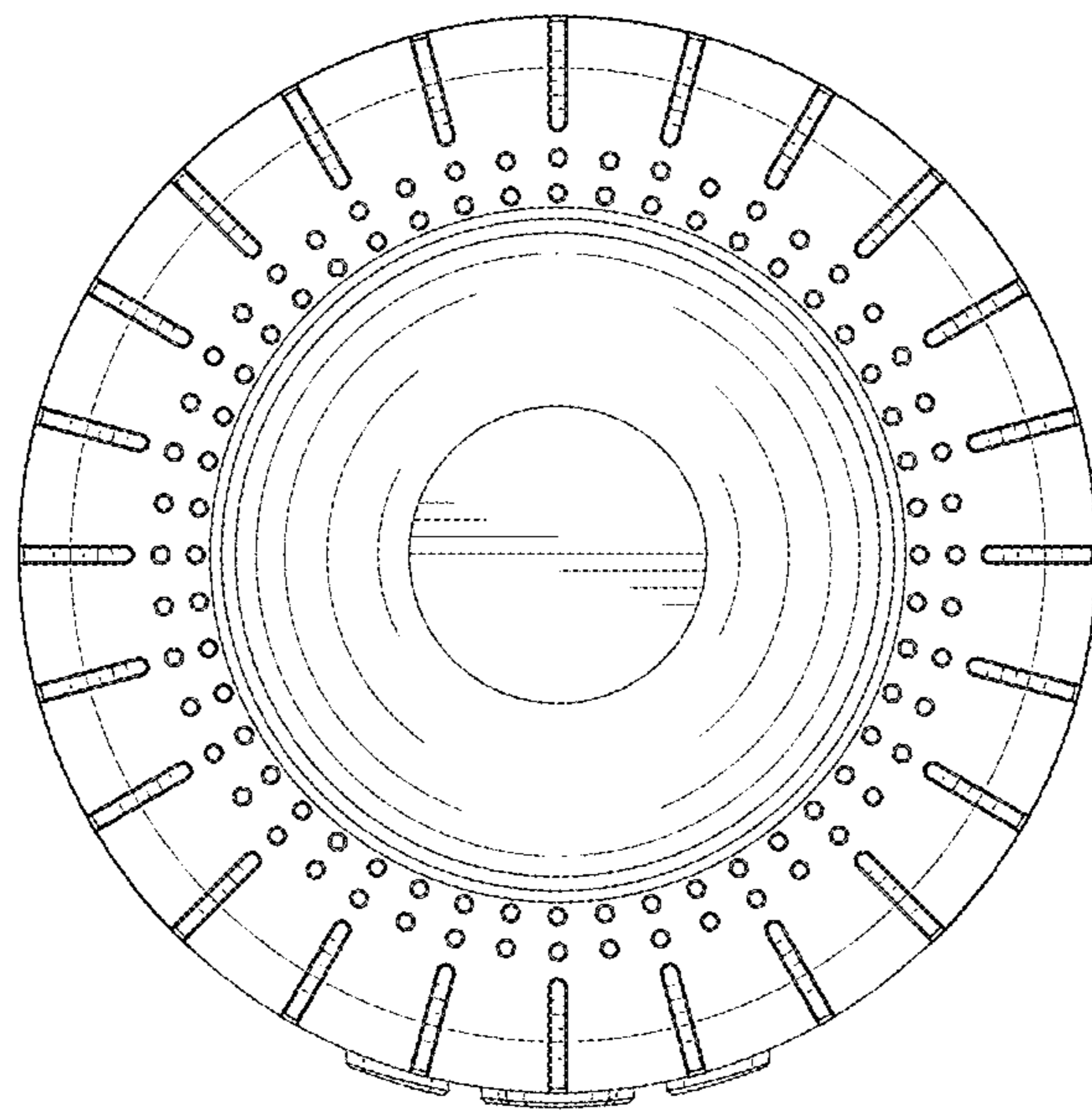


FIG.8

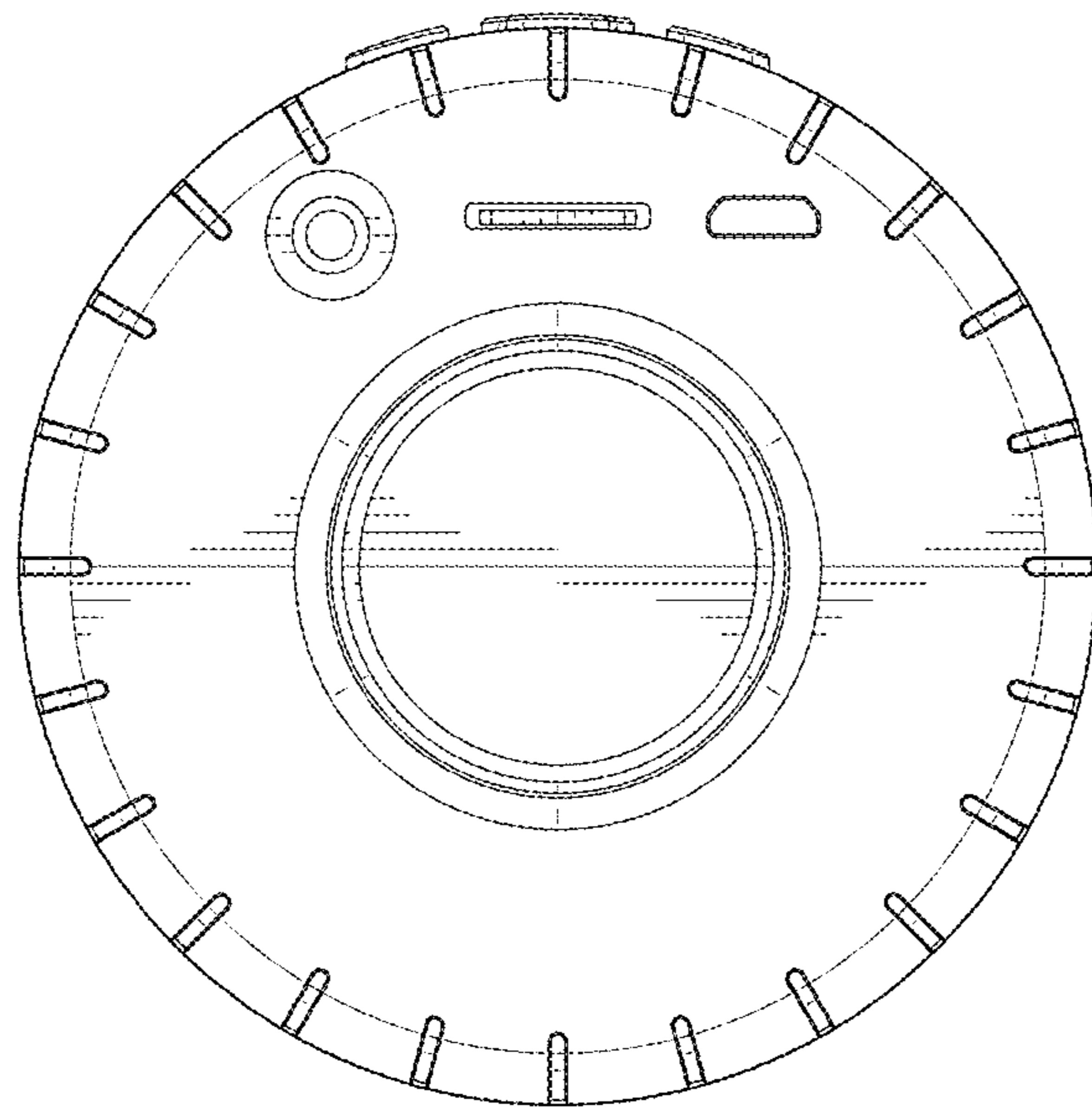


FIG.9