



US00D880457S

(12) **United States Design Patent**  
**Zhu**

(10) **Patent No.:** **US D880,457 S**

(45) **Date of Patent:** **\*\* Apr. 7, 2020**

(54) **PAIR OF WIRELESS EARBUDS**

(71) Applicant: **Ken Zhu**, Shenzhen (CN)

(72) Inventor: **Ken Zhu**, Shenzhen (CN)

(\*\*) Term: **15 Years**

(21) Appl. No.: **29/656,839**

(22) Filed: **Jul. 17, 2018**

(51) **LOC (12) Cl.** ..... **14-01**

(52) **U.S. Cl.**  
USPC ..... **D14/223**

(58) **Field of Classification Search**  
USPC ..... D14/223, 205; D24/174; 128/864, 865,  
128/866; 181/129, 130, 135; 379/430,  
379/431; 381/380, 381, 322, 324, 327,  
381/328, 329; 455/90.3, 575.1, 569.1  
CPC ..... H04R 1/10; H04R 25/00; H04R 25/02;  
H04R 1/1066; H04R 1/1016; H04R  
5/033; H04R 5/0335; H04R 1/1091;  
H04R 1/083

See application file for complete search history.

(56) **References Cited**

**U.S. PATENT DOCUMENTS**

|               |         |               |       |             |
|---------------|---------|---------------|-------|-------------|
| D236,988 S *  | 9/1975  | Walters       | ..... | D14/223     |
| 4,539,708 A * | 9/1985  | Norris        | ..... | H04B 1/088  |
|               |         |               |       | 455/100     |
| 4,585,089 A * | 4/1986  | Topholm       | ..... | H04R 25/65  |
|               |         |               |       | 181/135     |
| D287,764 S *  | 1/1987  | Topholm       | ..... | D24/174     |
| D287,765 S *  | 1/1987  | Topholm       | ..... | D24/174     |
| D295,173 S *  | 4/1988  | Oren          | ..... | D14/168     |
| 5,054,079 A * | 10/1991 | Frielingsdorf | ..... | H04R 1/46   |
|               |         |               |       | 379/430     |
| D321,881 S *  | 11/1991 | Hopewell      | ..... | D14/192     |
| D348,066 S *  | 6/1994  | Lucey         | ..... | D14/205     |
| D417,465 S *  | 12/1999 | Kreitz        | ..... | D14/192     |
| 6,122,388 A * | 9/2000  | Feldman       | ..... | H04R 25/604 |
|               |         |               |       | 381/322     |
| D477,593 S *  | 7/2003  | Komiyama      | ..... | D14/223     |

|                |         |            |       |            |
|----------------|---------|------------|-------|------------|
| D477,822 S *   | 7/2003  | Komiyama   | ..... | D14/223    |
| D481,709 S *   | 11/2003 | Solderits  | ..... | D14/223    |
| D505,411 S *   | 5/2005  | Sakai      | ..... | D14/192    |
| D519,108 S *   | 4/2006  | Yang       | ..... | D14/223    |
| 7,120,267 B2 * | 10/2006 | Ito        | ..... | H04M 1/05  |
|                |         |            |       | 381/375    |
| D588,111 S *   | 3/2009  | Komiyama   | ..... | D14/223    |
| D603,380 S *   | 11/2009 | Hutchieson | ..... | D14/223    |
| D637,997 S *   | 5/2011  | Peller     | ..... | D14/205    |
| D637,999 S *   | 5/2011  | Brunner    | ..... | D14/205    |
| D641,010 S *   | 7/2011  | Kwon       | ..... | D14/223    |
| D652,817 S *   | 1/2012  | Lee        | ..... | D14/205    |
| D652,822 S *   | 1/2012  | Lee        | ..... | D14/223    |
| D654,056 S *   | 2/2012  | Hoggarth   | ..... | D14/205    |
| D666,581 S *   | 9/2012  | Perez      | ..... | D14/223    |
| 8,275,166 B2 * | 9/2012  | Wu         | ..... | H04R 25/00 |
|                |         |            |       | 381/328    |
| D685,764 S *   | 7/2013  | Coulter    | ..... | D14/205    |

(Continued)

*Primary Examiner* — Paula Allen Greene

(74) *Attorney, Agent, or Firm* — Juan Carlos A. Marquez;  
Marquez IP Law Office, PLLC

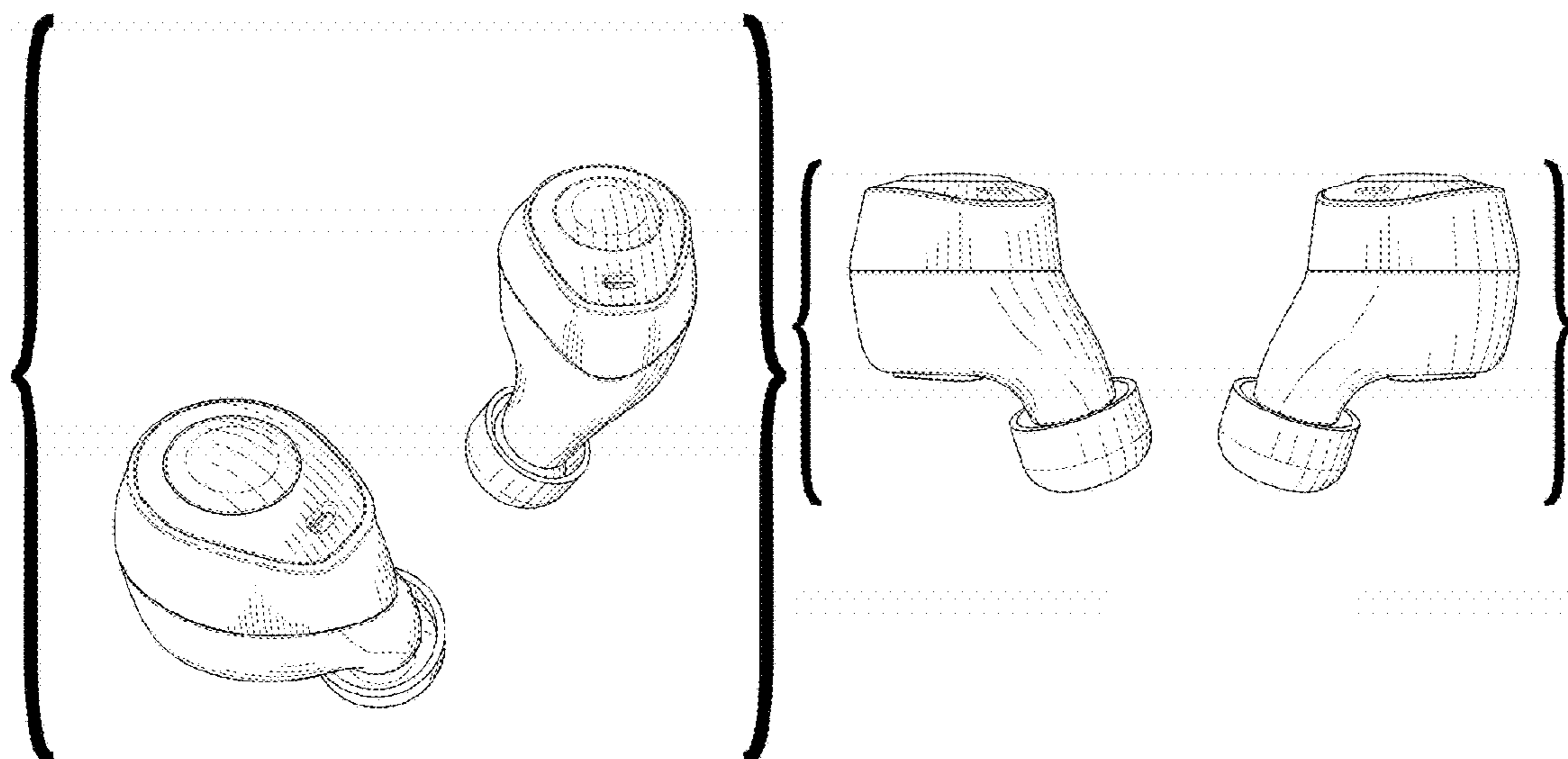
(57) **CLAIM**

The ornamental design for a pair of wireless earbuds, as shown and described.

**DESCRIPTION**

FIG. 1 is a top perspective view of a pair of wireless earbuds, showing my new design;  
FIG. 2 is a front view thereof;  
FIG. 3 is a rear view thereof;  
FIG. 4 is a top view thereof;  
FIG. 5 is a bottom view thereof;  
FIG. 6 is a left side view of the left earbud thereof, the earbud is shown separately for purposes of illustration;  
FIG. 7 is a right side view of the left earbud thereof;  
FIG. 8 is a left side view of the right earbud thereof; and,  
FIG. 9 is a right side view of the right earbud thereof.

**1 Claim, 5 Drawing Sheets**



(56)

References Cited

U.S. PATENT DOCUMENTS

D699,226 S \* 2/2014 Yoon ..... D14/206  
8,776,801 B2 \* 7/2014 McIntosh ..... A61F 11/08  
128/864  
D711,356 S \* 8/2014 Yang ..... D14/223  
D719,550 S \* 12/2014 Yang ..... D14/223  
D725,082 S \* 3/2015 Palmborg ..... D14/223  
8,983,108 B2 \* 3/2015 Ho ..... H04R 1/1016  
181/135  
D726,145 S \* 4/2015 Hsieh ..... D14/205  
D727,871 S \* 4/2015 Orbach ..... D14/205  
D733,102 S \* 6/2015 Palmborg ..... D14/223  
D735,169 S \* 7/2015 Shieh ..... D14/223  
9,087,506 B1 \* 7/2015 Kraft ..... G10L 21/0232  
9,131,308 B2 \* 9/2015 Kraft ..... G10L 21/0232  
D742,861 S \* 11/2015 Miyake ..... D14/223  
D764,445 S \* 8/2016 Czaniecki ..... D14/223  
D773,032 S \* 11/2016 Palmborg ..... D24/106  
D777,710 S \* 1/2017 Palmborg ..... D14/223  
D778,267 S \* 2/2017 Hsieh ..... D14/223  
9,565,491 B2 \* 2/2017 Baker ..... H04R 1/1083  
D781,269 S \* 3/2017 Choe ..... D14/223

D782,997 S \* 4/2017 Shin ..... D14/205  
D782,998 S \* 4/2017 Shin ..... D14/205  
D788,079 S \* 5/2017 Son ..... D14/223  
D798,843 S \* 10/2017 Valenzuela ..... D14/223  
D800,097 S \* 10/2017 Chen ..... D14/223  
D801,951 S \* 11/2017 Bao ..... D14/223  
D806,879 S \* 1/2018 Horbinski ..... D24/174  
D813,206 S \* 3/2018 Tang ..... D14/223  
D818,990 S \* 5/2018 Tzeng ..... D14/205  
D824,371 S \* 7/2018 Loermann ..... D14/223  
10,052,065 B2 \* 8/2018 Boesen ..... A61B 5/6803  
D836,089 S \* 12/2018 Loermann ..... D14/223  
D841,627 S \* 2/2019 Wen ..... D14/223  
D845,932 S \* 4/2019 Lu ..... D14/223  
D847,126 S \* 4/2019 Loermann ..... D14/223  
D852,782 S \* 7/2019 Bergman ..... D14/223  
D864,167 S \* 10/2019 Wu ..... D14/223  
2007/0263896 A1 \* 11/2007 Chen ..... H04R 1/105  
381/381  
2011/0293130 A1 \* 12/2011 Huang ..... H04R 1/1016  
381/380  
2012/0114160 A1 \* 5/2012 Lin ..... H04R 1/1091  
381/380

\* cited by examiner

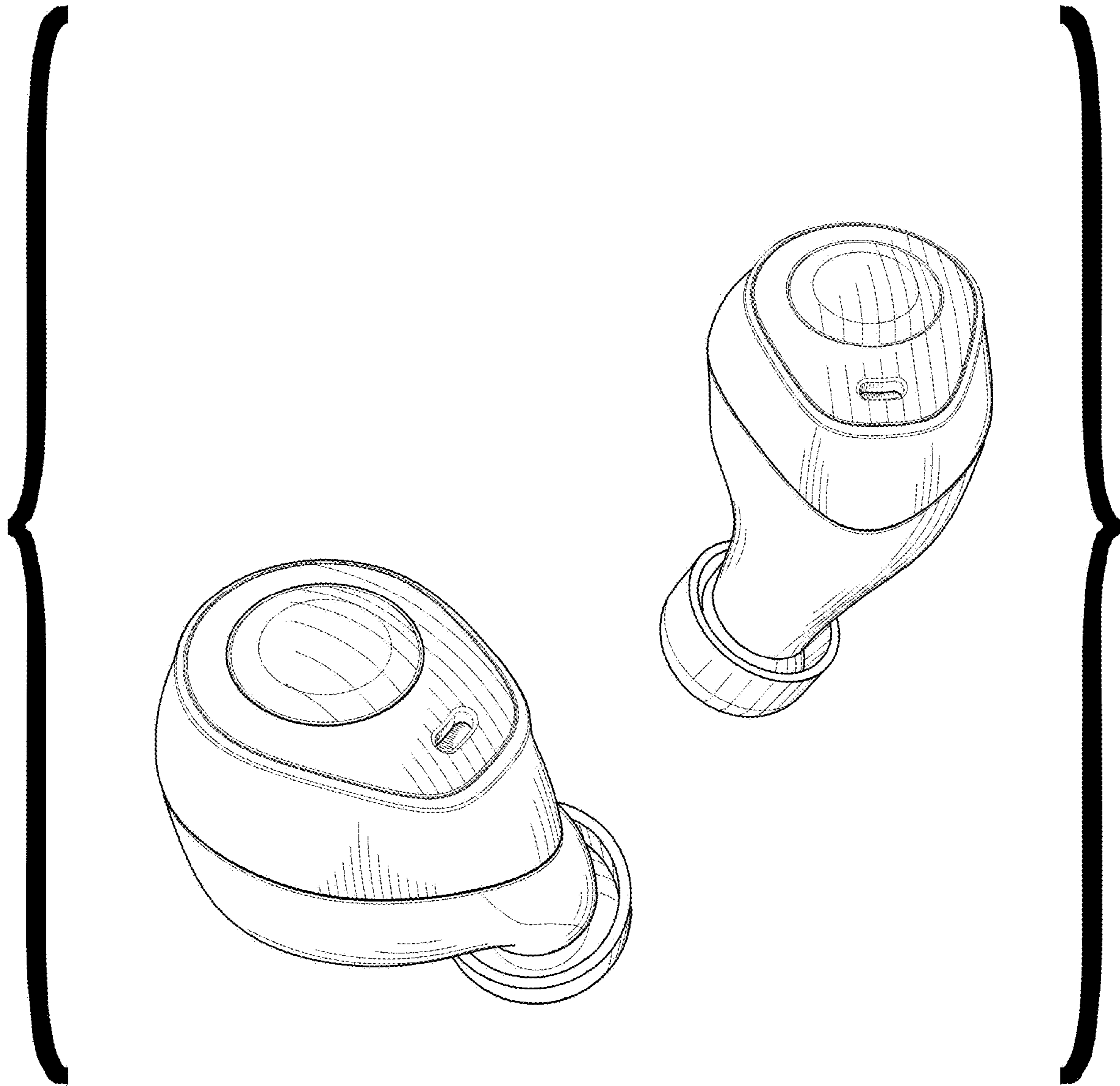


FIG. 1



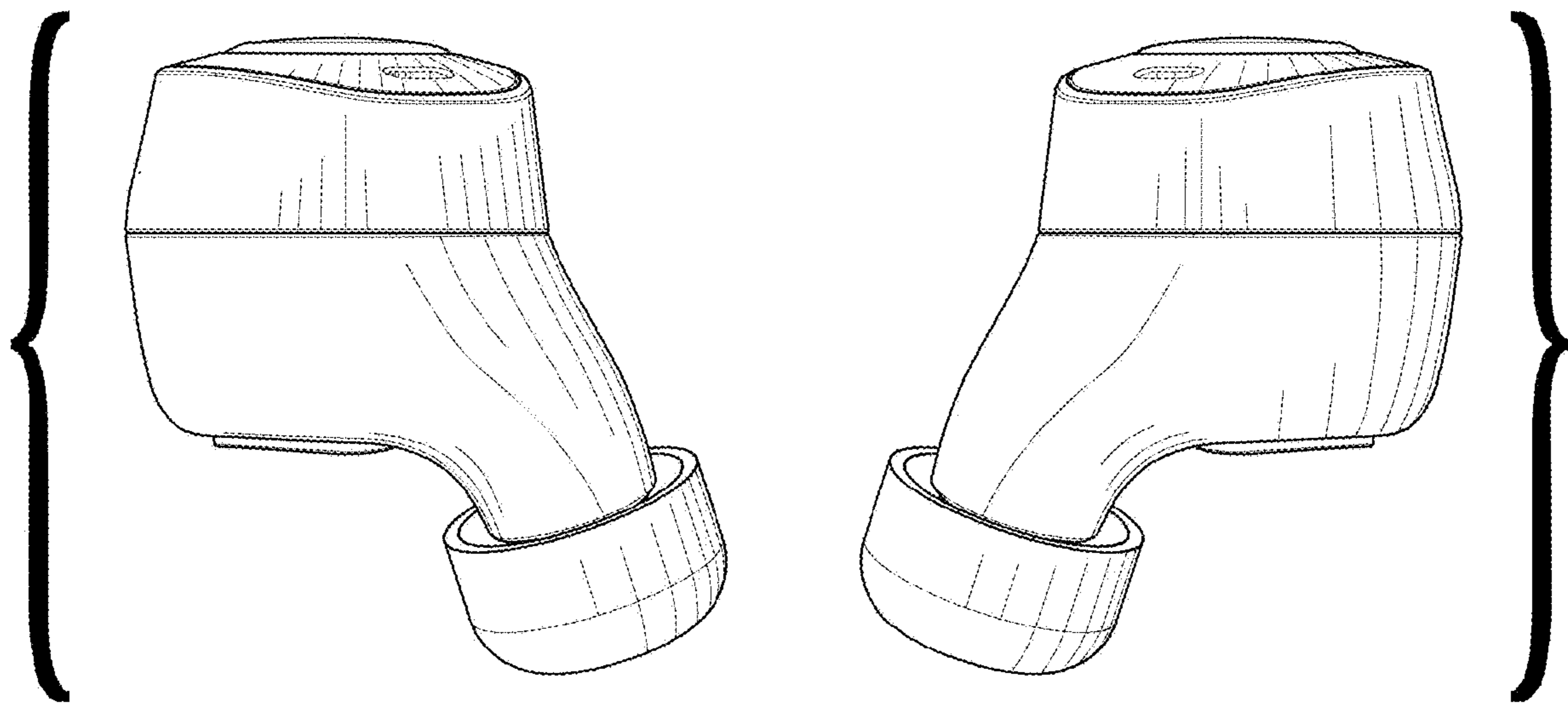


FIG. 2

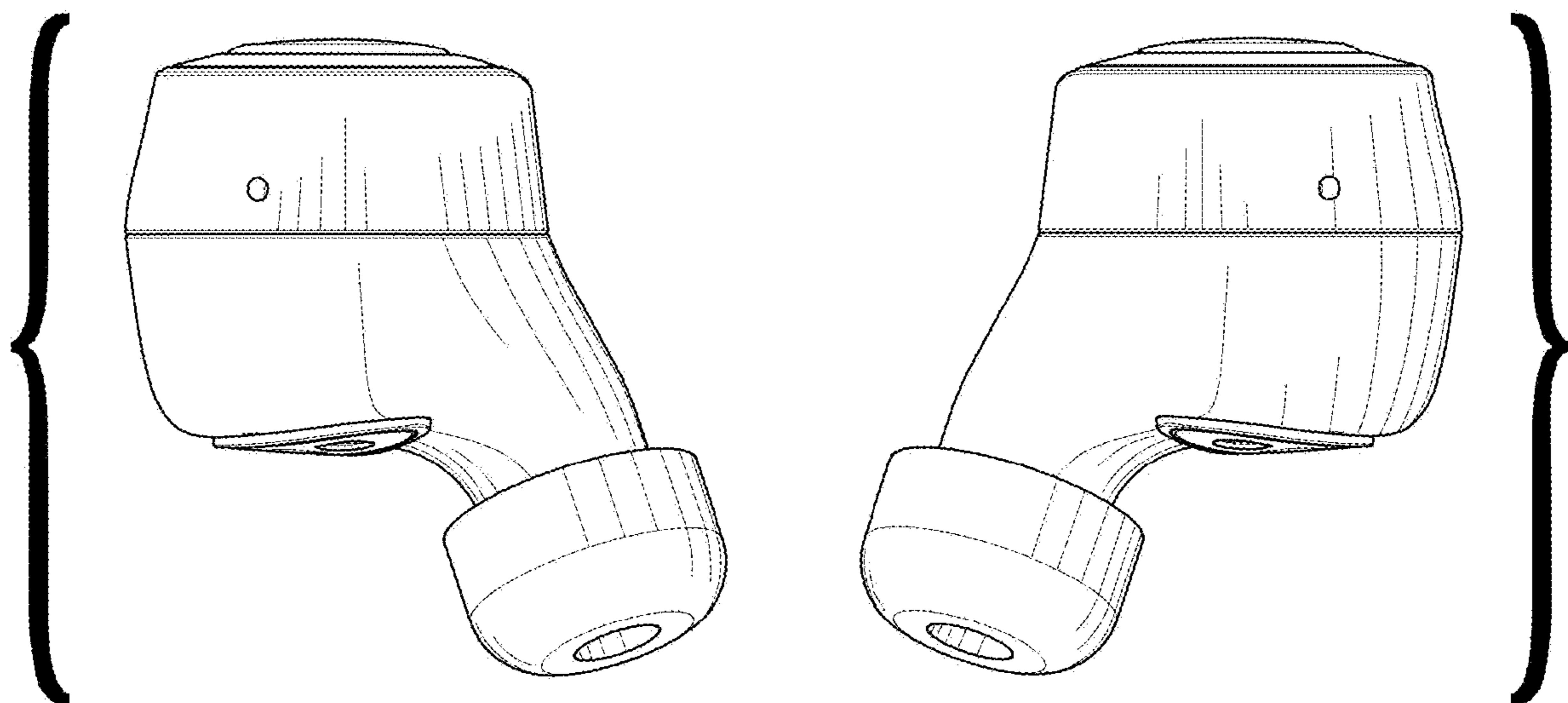


FIG. 3

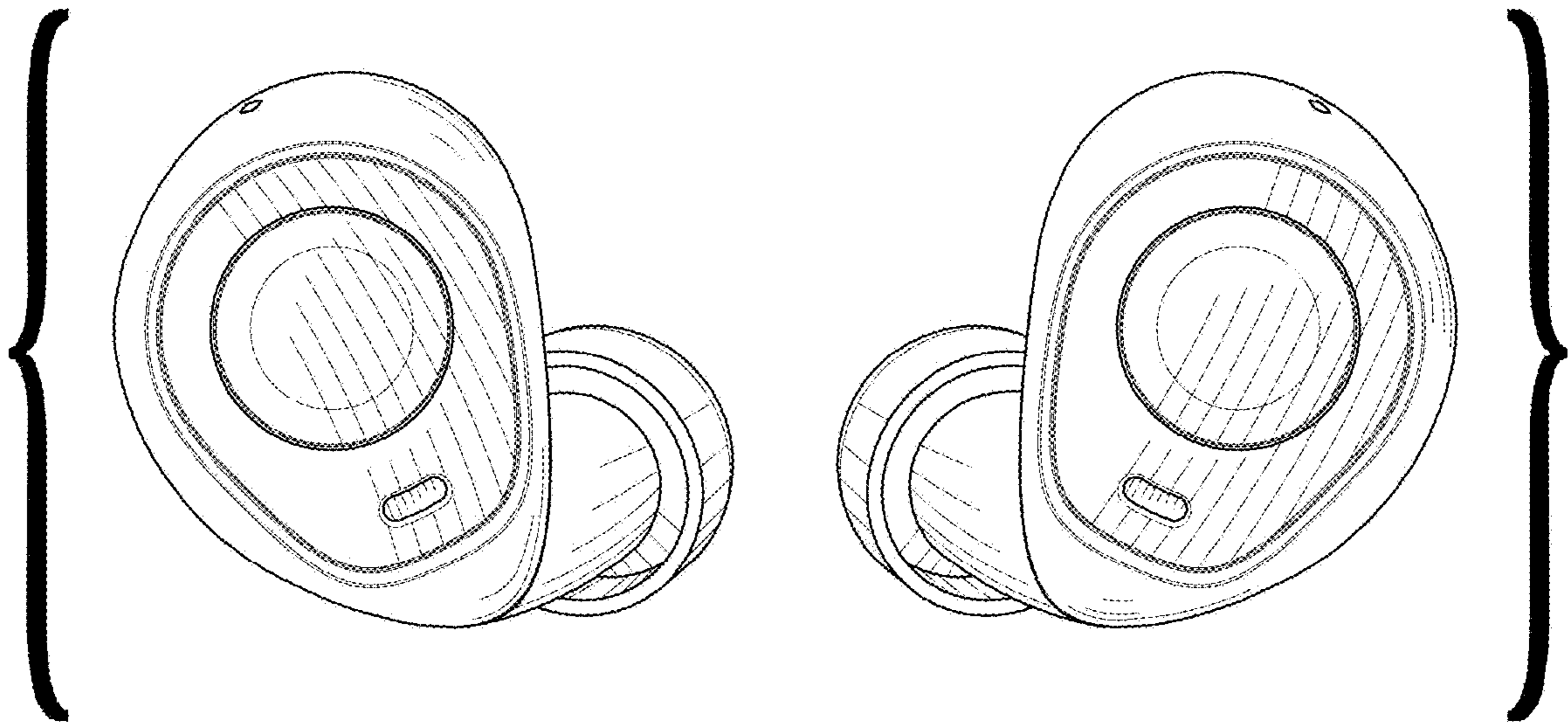


FIG. 4

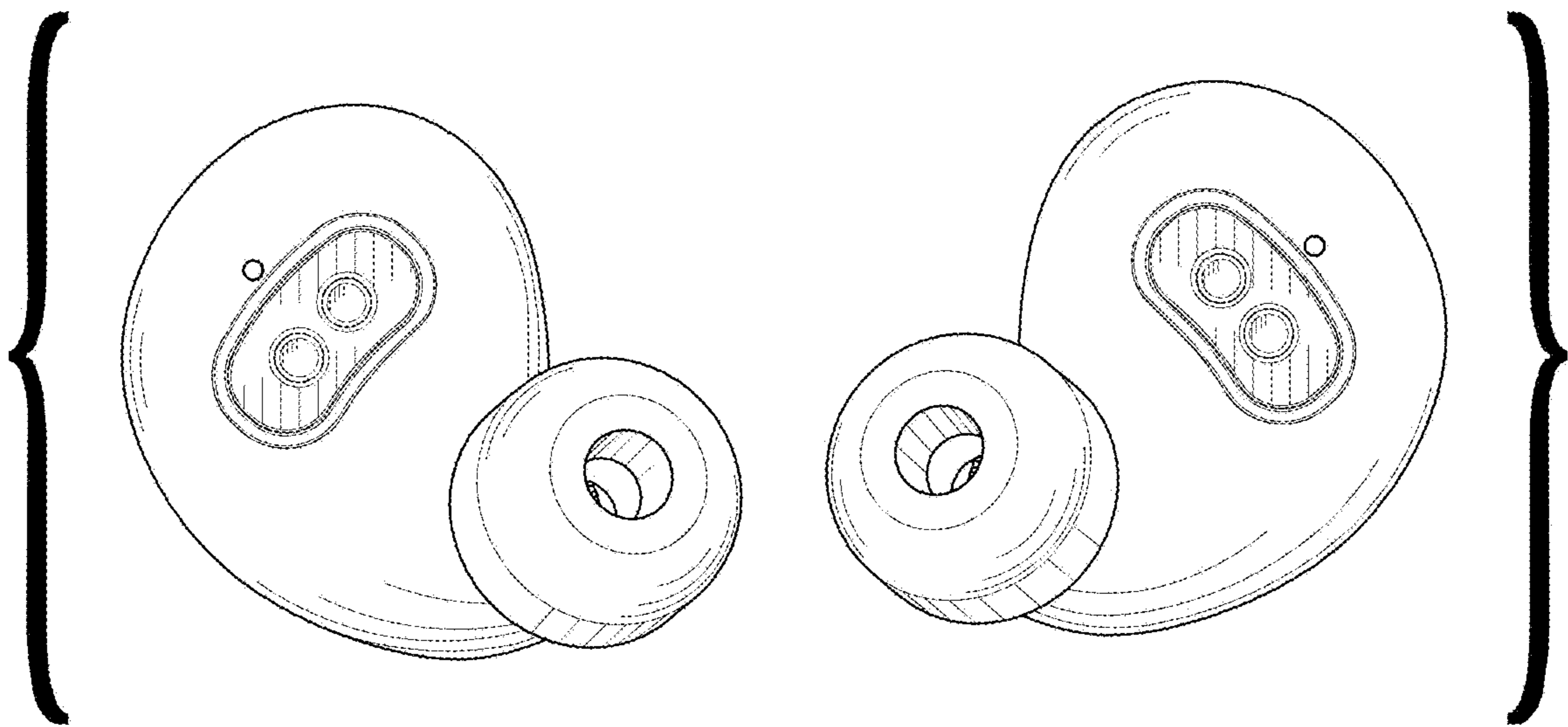


FIG. 5

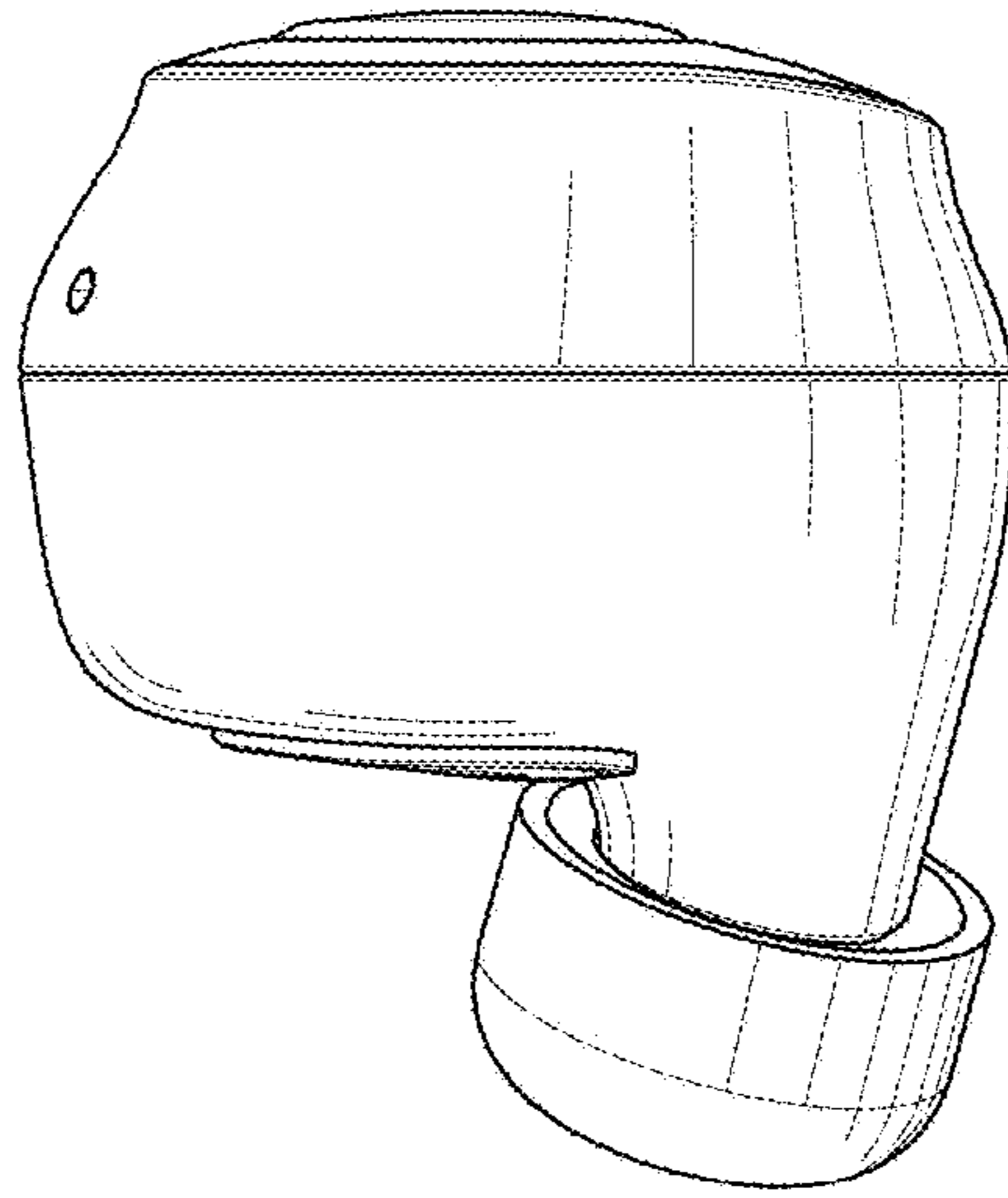


FIG. 6

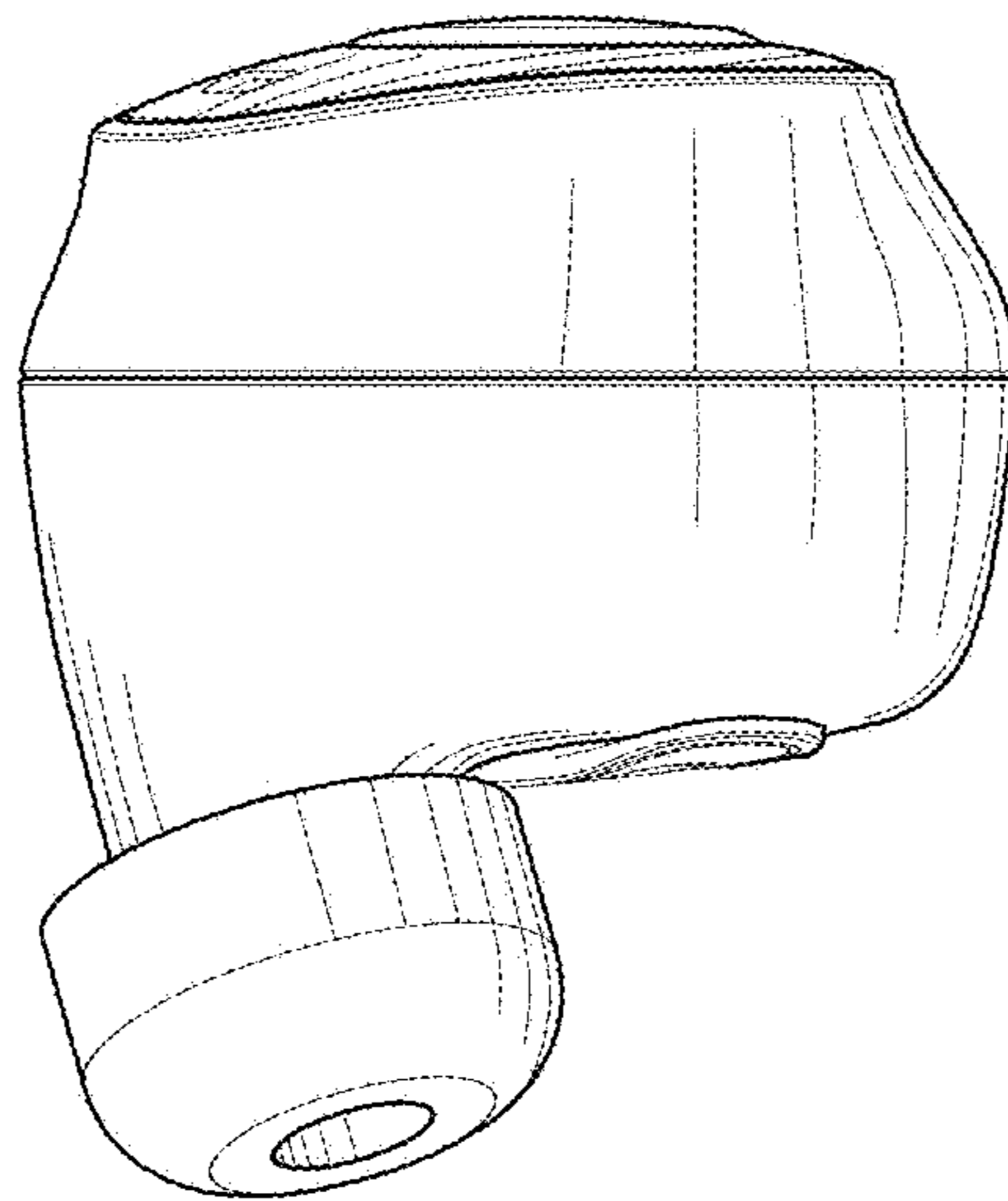


FIG. 7

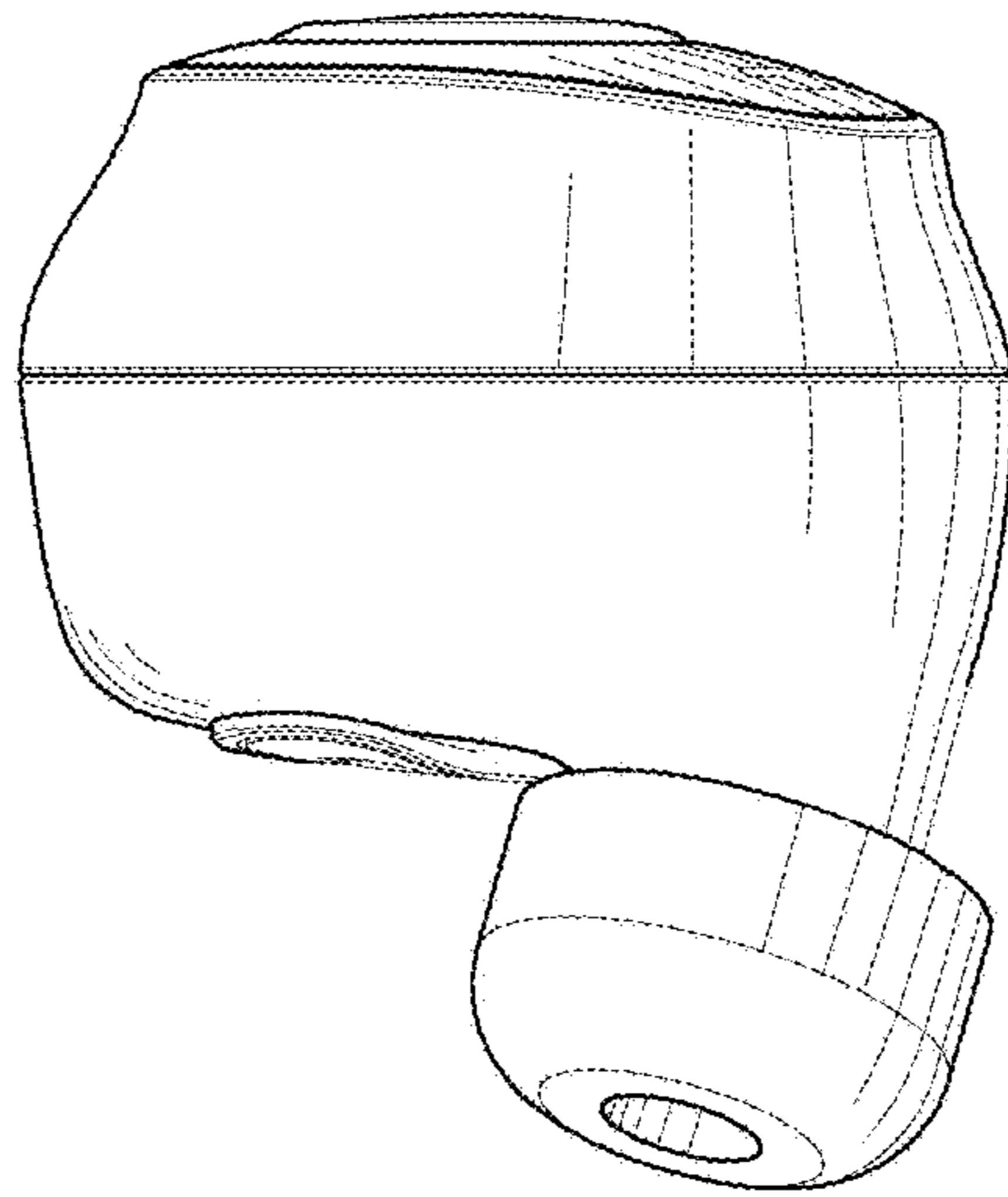


FIG. 8

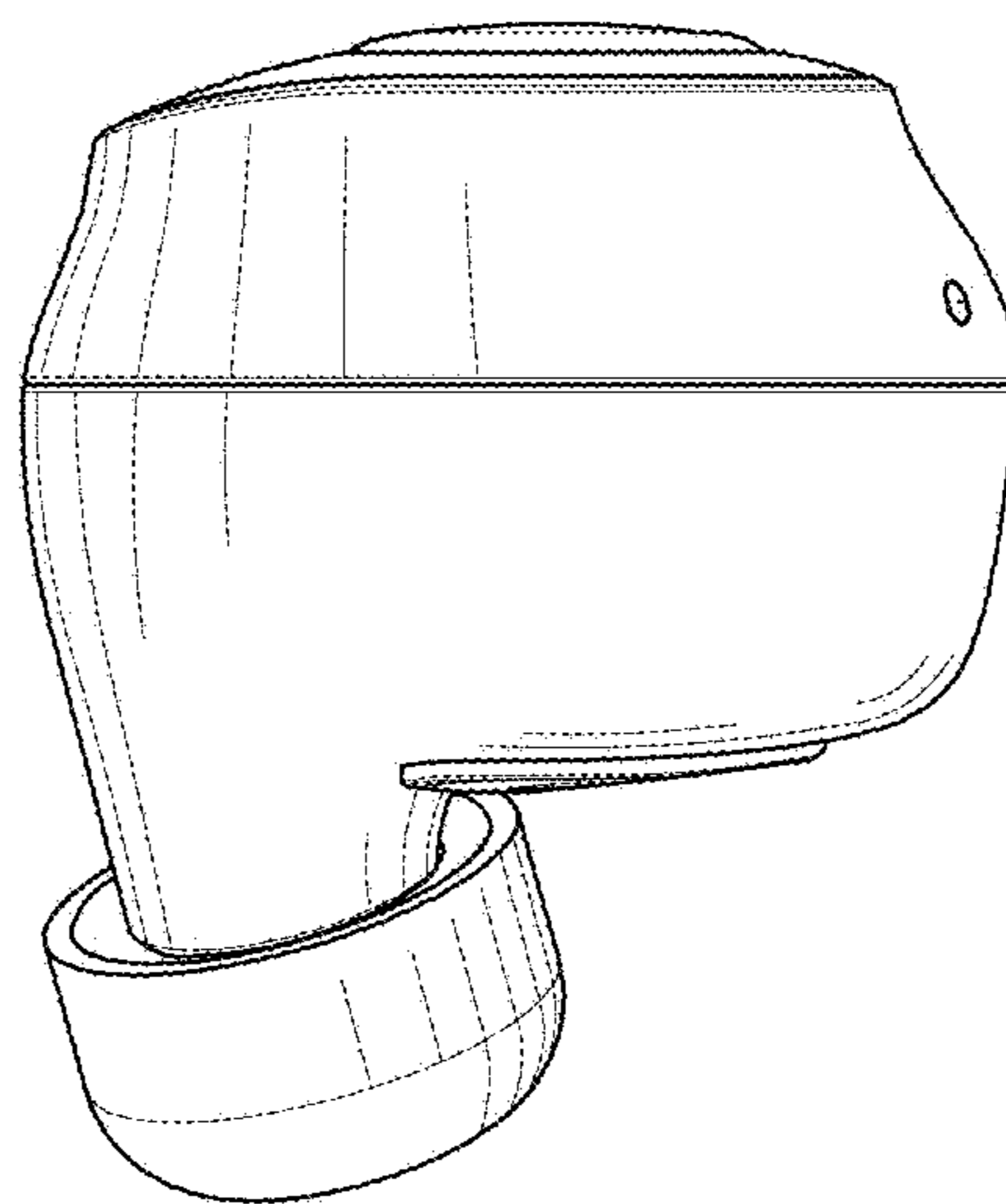


FIG. 9