



US00D880455S

(12) **United States Design Patent** (10) **Patent No.:** **US D880,455 S**
Wahlgren et al. (45) **Date of Patent:** **** *Apr. 7, 2020**

(54) **SPEAKER**

(71) Applicant: **Logitech Europe S.A.**, Lausanne (CH)

(72) Inventors: **Pontus Wahlgren**, Lausanne (CH);
Doug Ebert, Portland, OR (US); **Alex Danielson**, Vancouver, WA (US);
Dominic Amae, Vancouver, WA (US)

(73) Assignee: **Logitech Europe S.A.**, Lausanne (CH)

(*) Notice: This patent is subject to a terminal disclaimer.

(**) Term: **15 Years**

(21) Appl. No.: **29/599,680**

(22) Filed: **Apr. 5, 2017**

(51) **LOC (12) Cl.** **14-01**

(52) **U.S. Cl.**
USPC **D14/216**

(58) **Field of Classification Search**
USPC D14/167, 168, 170-172, 188, 194-196,
D14/204, 209.1, 210-216, 219, 221, 222,
D14/224, 239, 496, 192; D9/600, 665;
D26/42, 54
CPC B60R 11/0217; G06F 1/1688; G10K 9/22;
G10K 11/004; H03F 1/327; H04M 1/03;
H04M 1/035; H04N 5/642; H04N
21/4852; H04R 1/02; H04R 1/06; H04R
1/021; H04R 1/025; H04R 1/026; H04R
1/028; H04R 1/105; H04R 1/323; H04R
1/403; H04R 1/2803; H04R 1/2834;
H04R 5/02; H04R 7/20; H04R 9/06;
H04R 9/025; H04R 2201/021; H04R
2400/00; H04R 2201/07; H04R 2499/11;
H04R 2499/13; H04R 2499/15; H04S
3/00; H04S 7/30

See application file for complete search history.

(56) **References Cited**

U.S. PATENT DOCUMENTS

D706,743 S	6/2014	Lukic et al.	
D758,348 S	6/2016	Lukic et al.	
D760,195 S	6/2016	Lukic et al.	
D771,141 S *	11/2016	Langhammer	H04R 1/345 D14/496
D780,153 S	2/2017	Lukic et al.	
D781,918 S *	3/2017	Langhammer	D14/203.1
D788,070 S	5/2017	Lukic et al.	
D803,813 S *	11/2017	Rouffiat	D14/216
D810,136 S *	2/2018	Langhammer	D14/496
D826,276 S *	8/2018	Langhammer	D14/496
D828,856 S *	9/2018	Langhammer	D14/496
D836,606 S *	12/2018	Kangasmaa	D14/216
D845,276 S *	4/2019	Huang	D14/216
D848,397 S *	5/2019	Alves	D14/216
D849,718 S *	5/2019	Park	D14/216

(Continued)

OTHER PUBLICATIONS

Design Application as filed Apr. 4, 2017 for Design U.S. Appl. No. 29/599,552, 39 pages.

Primary Examiner — Keli L Hill

(74) *Attorney, Agent, or Firm* — Kilpatrick Townsend & Stockton LLP

(57) **CLAIM**

The ornamental design for speaker, as shown and described.

DESCRIPTION

FIG. 1 is a perspective view of a third embodiment of speaker showing our new design;
FIG. 2 is a top plan view thereof;
FIG. 3 is a bottom plan view thereof,
FIG. 4 is a front elevational view thereof;
FIG. 5 is a rear elevational view thereof;

(Continued)

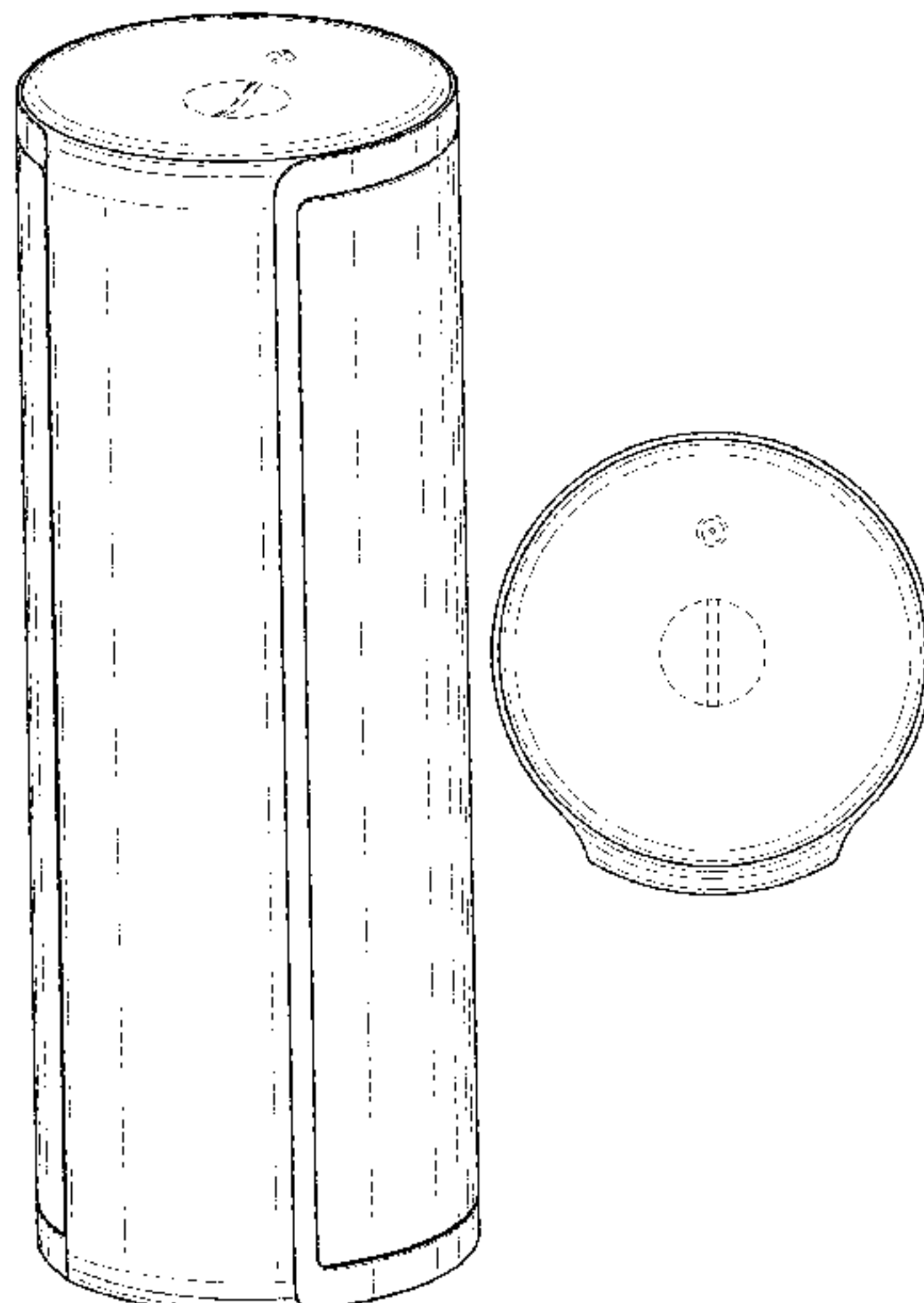


FIG. 6 is a left side elevational view thereof; and,
FIG. 7 is a right side elevational view.
The broken lines shown in the figures form no part of the
claimed design.

1 Claim, 4 Drawing Sheets

(56)

References Cited

U.S. PATENT DOCUMENTS

D852,779 S * 7/2019 Schmiedbauer D14/210
2019/0090049 A1* 3/2019 Xie H04R 1/345

* cited by examiner

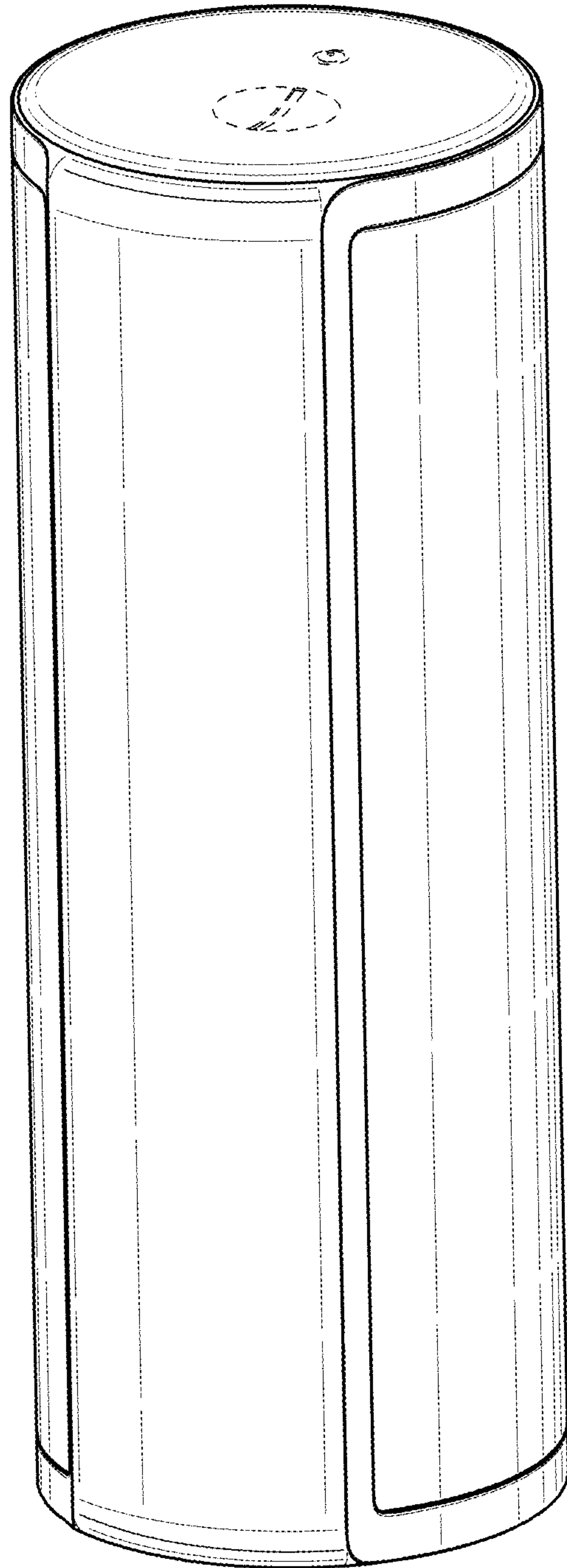


FIG. 1

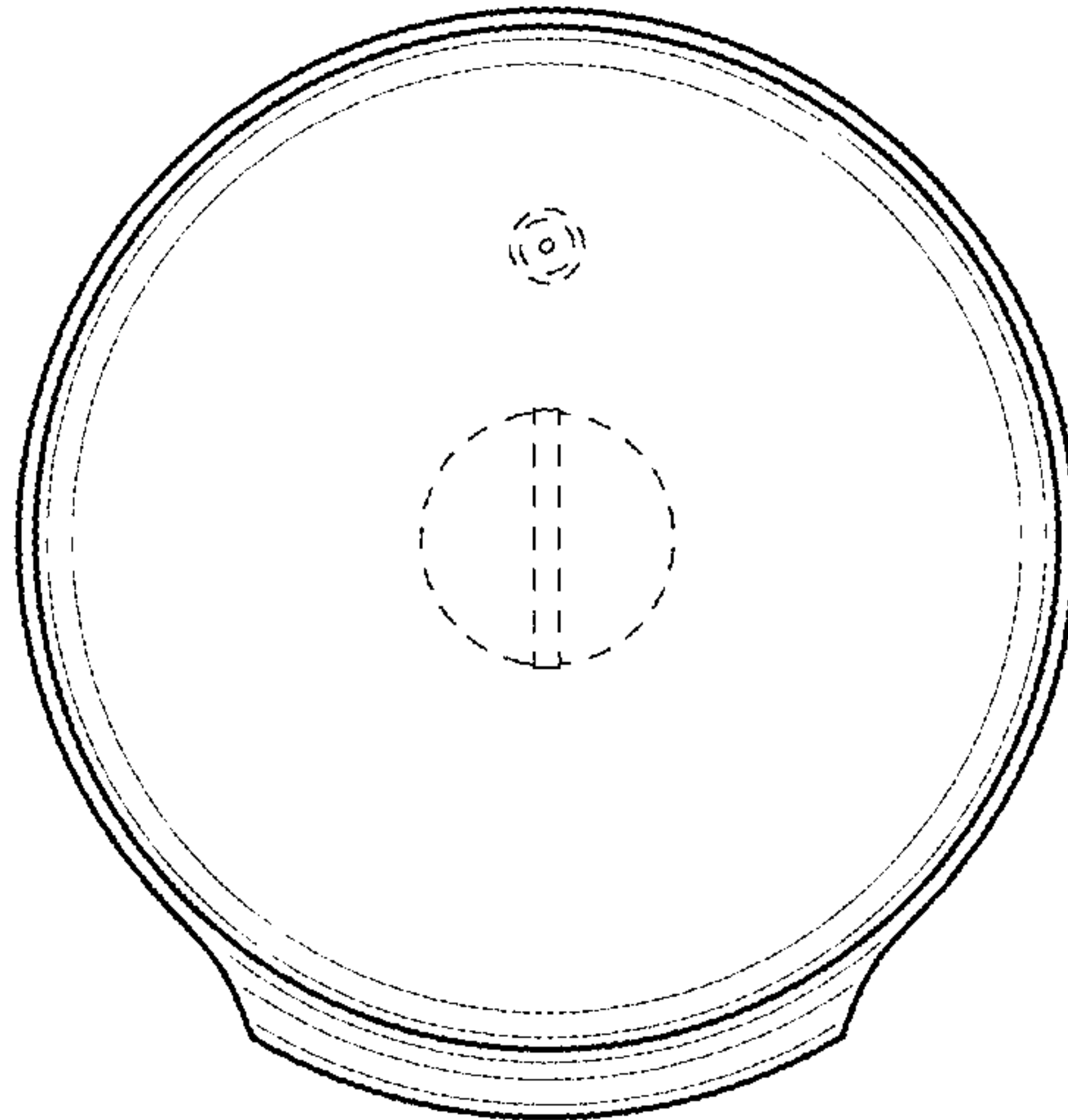


FIG. 2

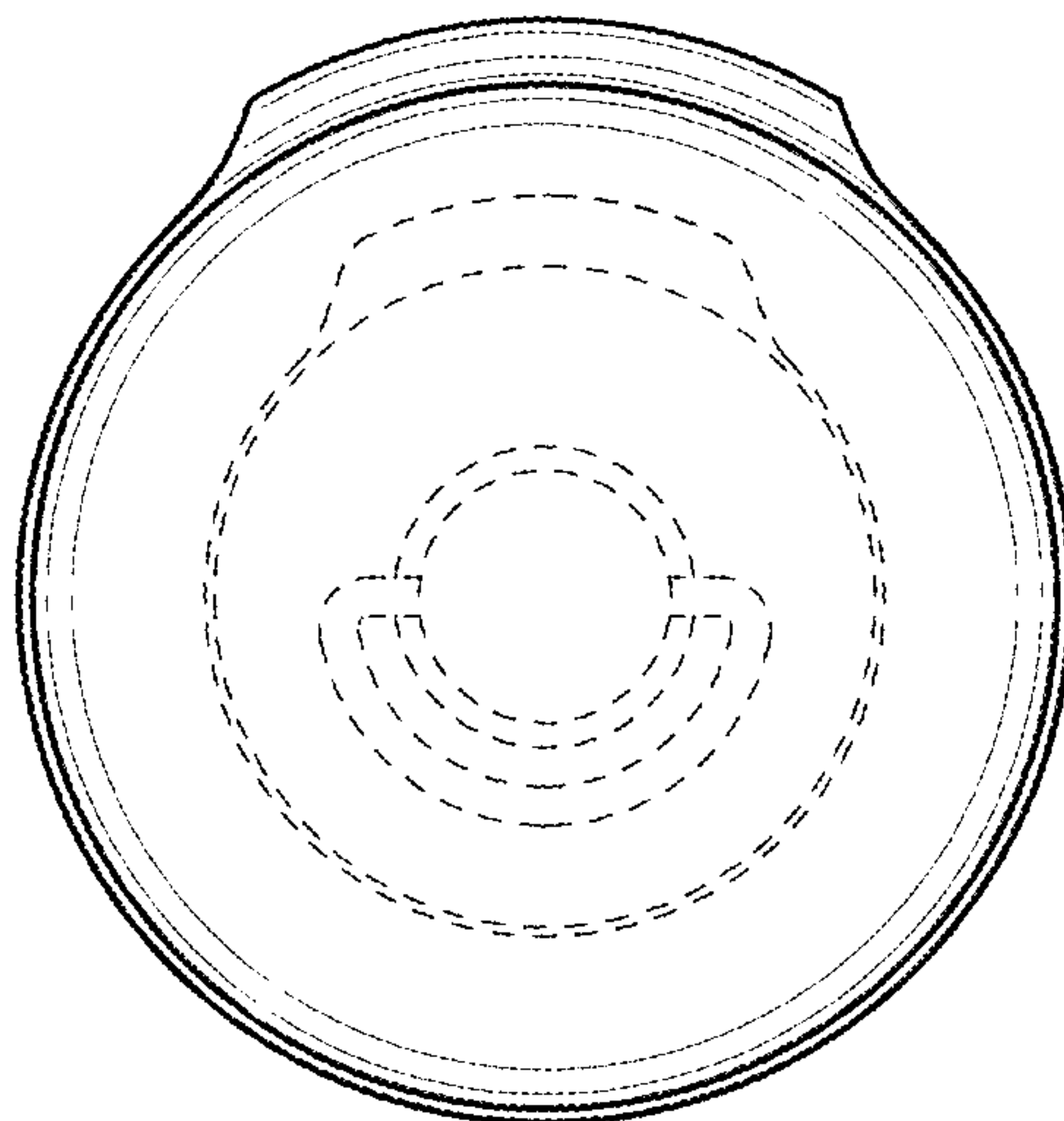


FIG. 3

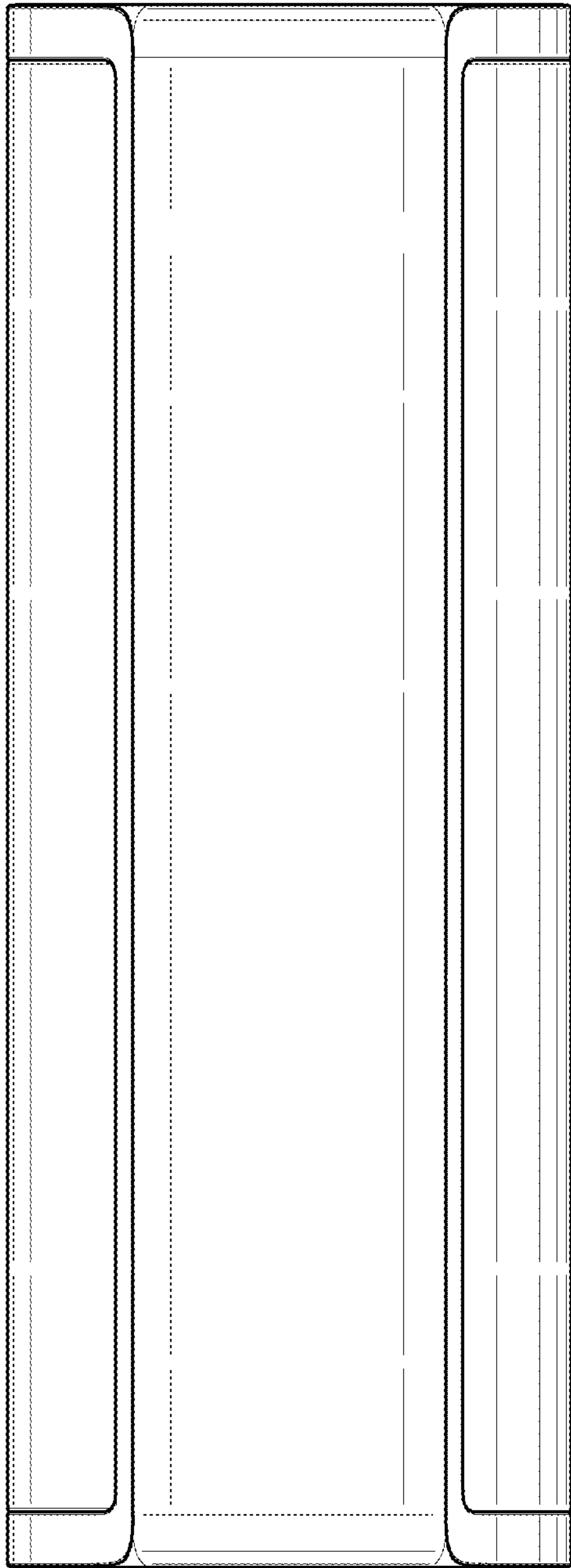


FIG. 4

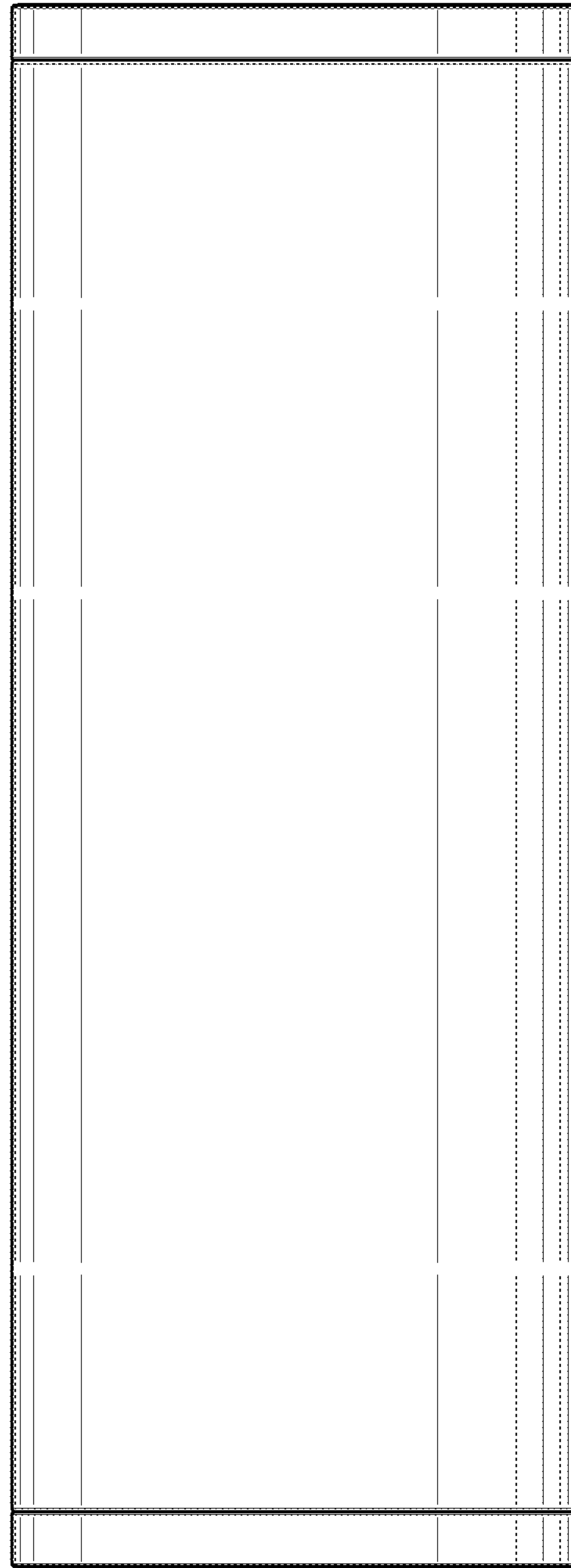


FIG. 5

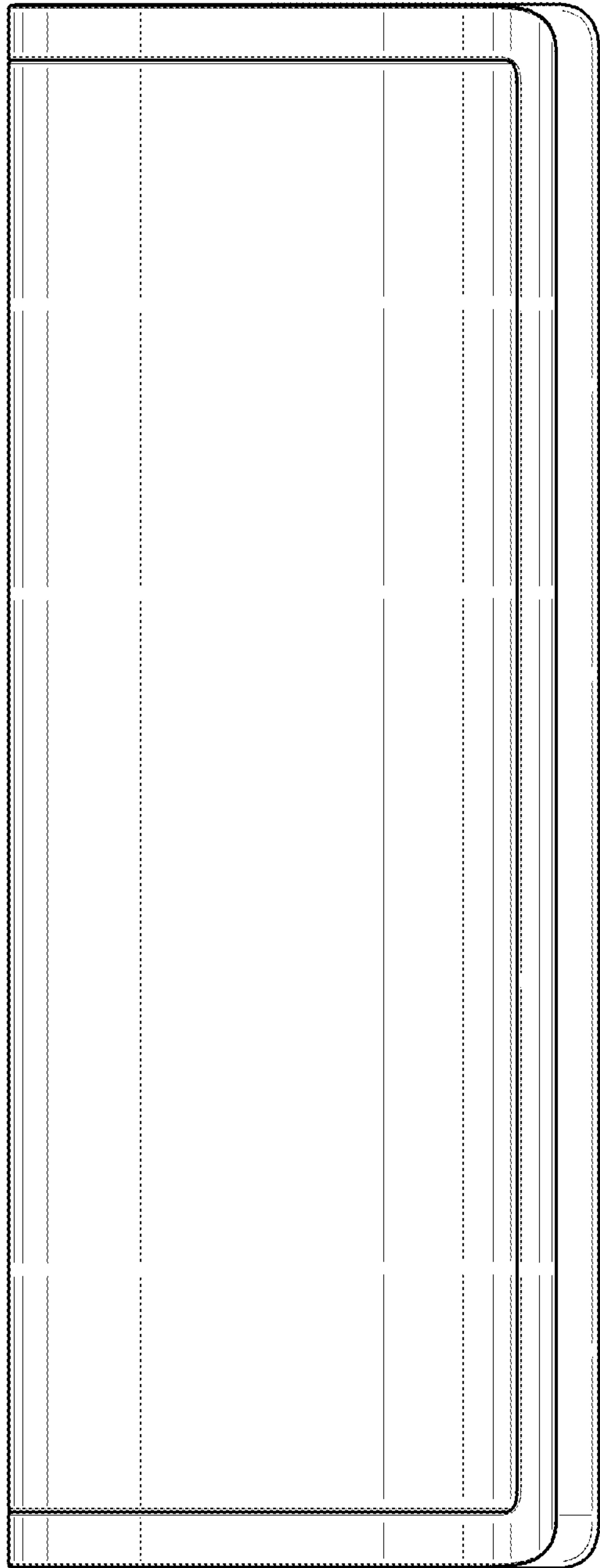


FIG. 6

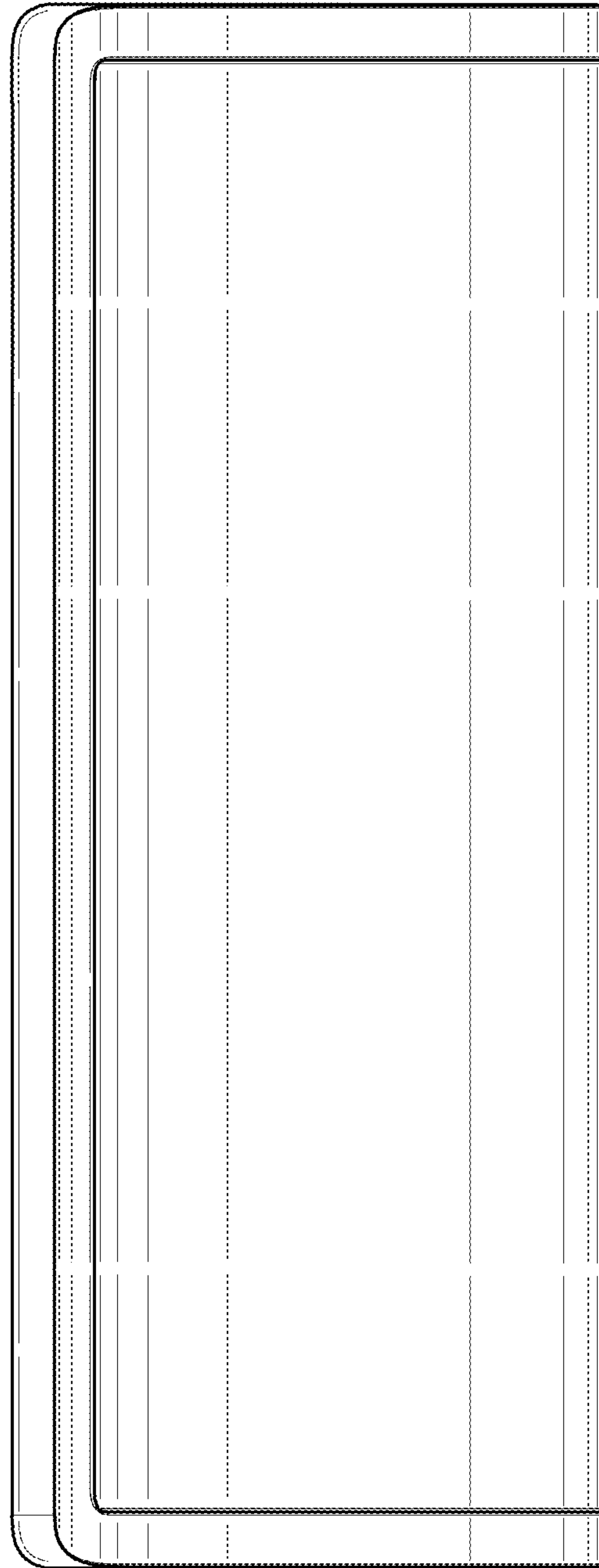


FIG. 7