



US00D880454S

(12) **United States Design Patent**
Valeur

(10) **Patent No.:** **US D880,454 S**

(45) **Date of Patent:** **** Apr. 7, 2020**

(54) **LOUDSPEAKER**

(71) Applicant: **Bang & Olufsen A/S**, Struer (DK)

(72) Inventor: **Torsten Valeur**, København V (DK)

(73) Assignee: **Bang & Olufsen A/S**, Struer (DK)

(**) Term: **15 Years**

(21) Appl. No.: **29/657,970**

(22) Filed: **Jul. 26, 2018**

Related U.S. Application Data

(62) Division of application No. 35/502,152, filed on Dec. 12, 2016 (U.S. filing date under 35 U.S.C. 384), and having an international filing date of Dec. 12, 2016, now Pat. No. Des. 825,526.

(30) **Foreign Application Priority Data**

Jun. 13, 2016 (EM) 003188291

(51) **LOC (12) Cl.** **14-04**

(52) **U.S. Cl.**
USPC **D14/214**

(58) **Field of Classification Search**
USPC D14/204, 209.1, 210, 211, 212, 213–217,
D14/221, 224

CPC ... H04R 1/26; H04R 5/00; H04R 5/02; H04R
1/02; H04R 1/28; H04R 7/26

See application file for complete search history.

(56) **References Cited**

U.S. PATENT DOCUMENTS

D327,067 S *	6/1992	Kohan	D14/215
D329,234 S *	9/1992	Winkelbauer	D14/204
D466,885 S *	12/2002	MacFarlane	D14/204
D496,651 S *	9/2004	Borsboom	D14/216
D623,628 S *	9/2010	Solland	D14/214
D653,237 S *	1/2012	Davies	D14/211
D718,281 S *	11/2014	Schmiedbauer	D14/216
D743,371 S *	11/2015	Nardin	D14/209.1
D755,751 S *	5/2016	Valeur	D14/204
D760,193 S *	6/2016	Vassilkov	D14/213

* cited by examiner

Primary Examiner — Michael A. Pratt

(74) *Attorney, Agent, or Firm* — Dykema Gossett PLLC

(57) **CLAIM**

The ornamental design for loudspeaker, as shown and described.

DESCRIPTION

FIG. 1: Perspective

FIG. 2: Back

FIG. 3: Left

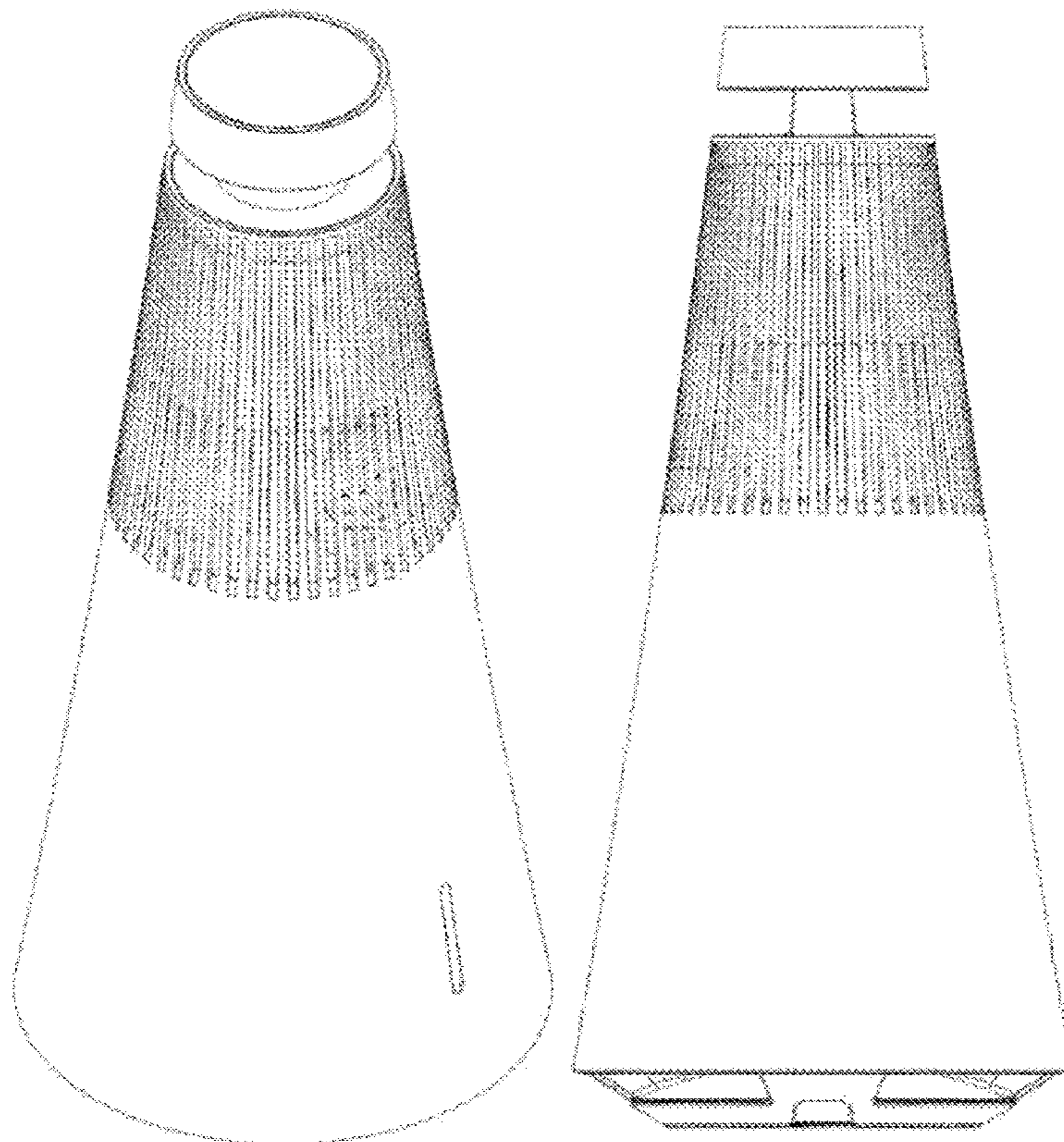
FIG. 4: Front

FIG. 5: Right

FIG. 6: Perspective; and,

FIG. 7: Top.

1 Claim, 7 Drawing Sheets



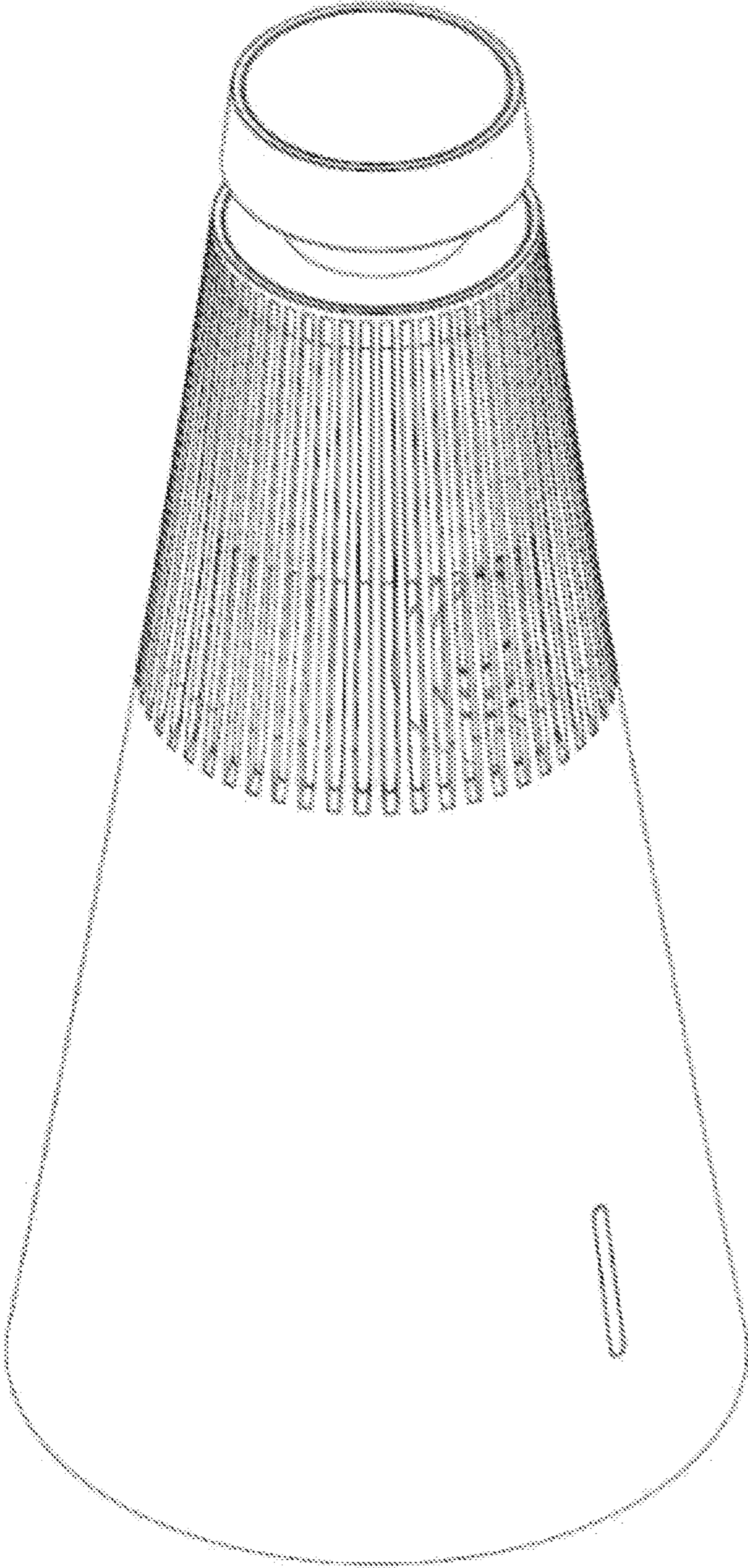


FIG. 1

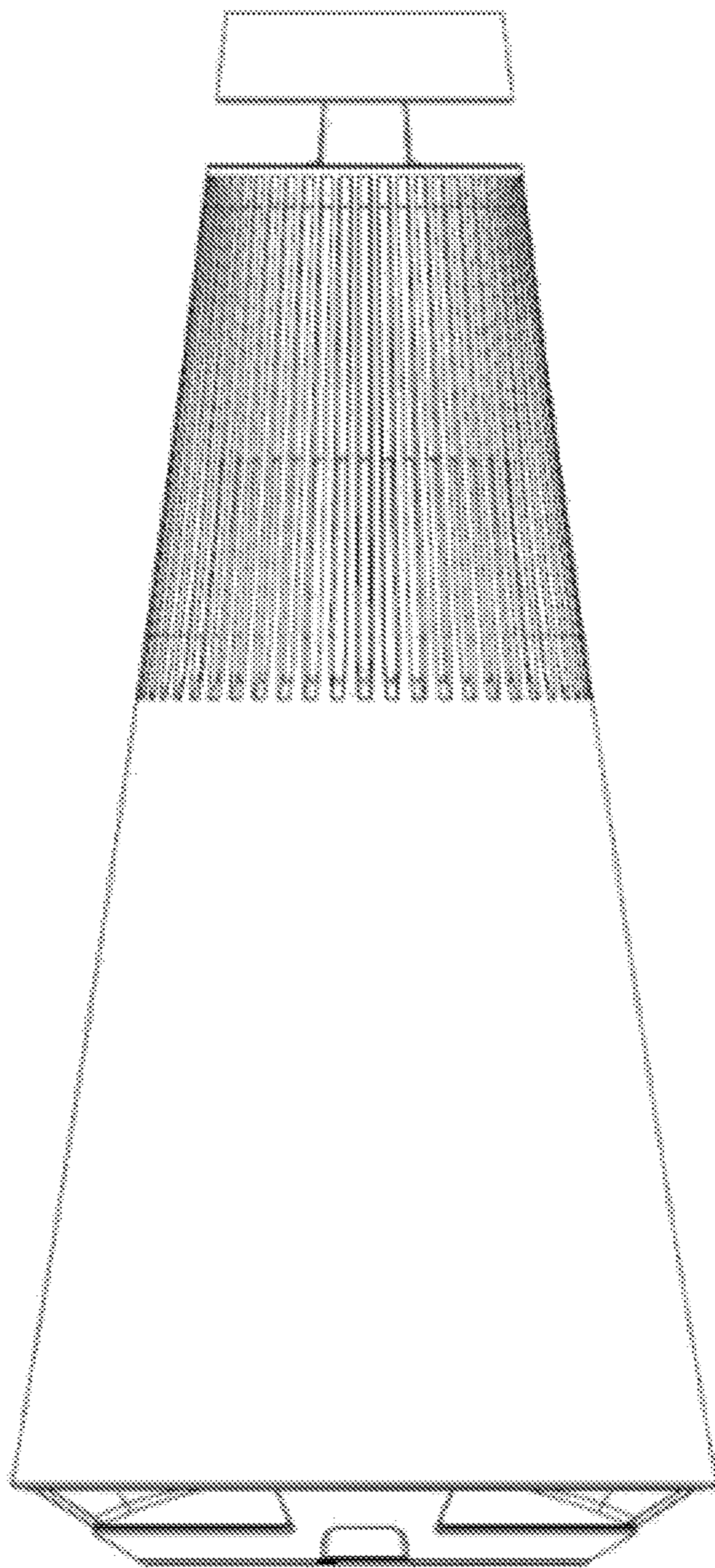


FIG. 2

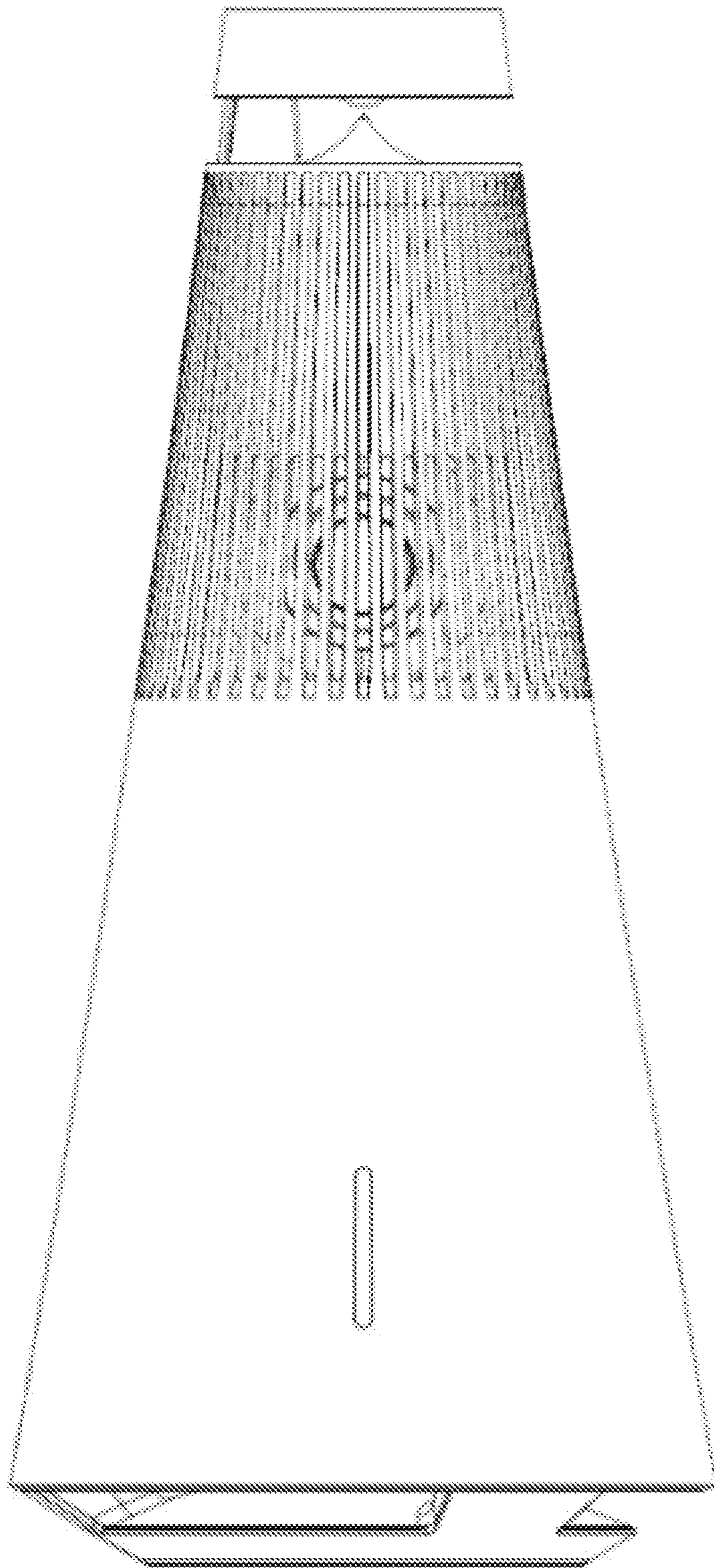


FIG. 3

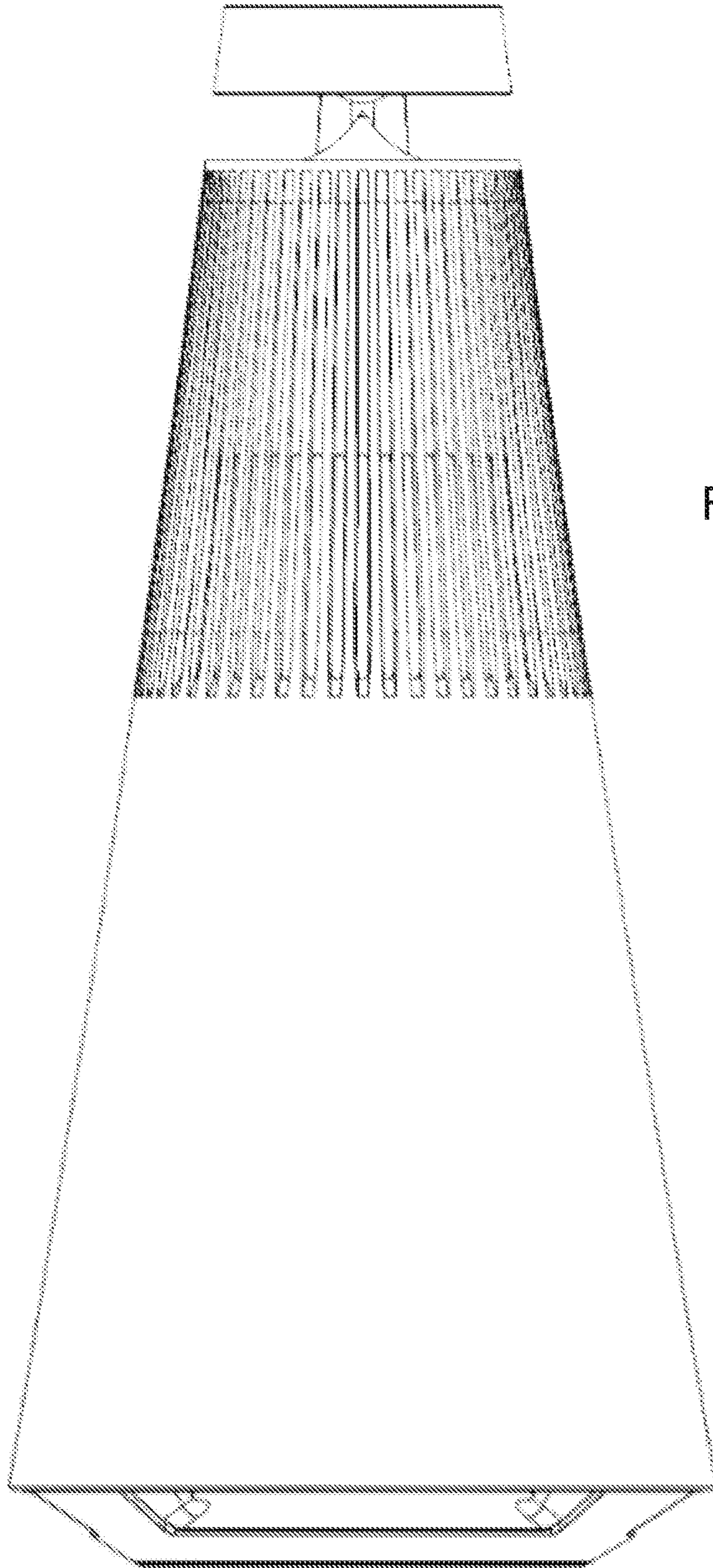


FIG. 4

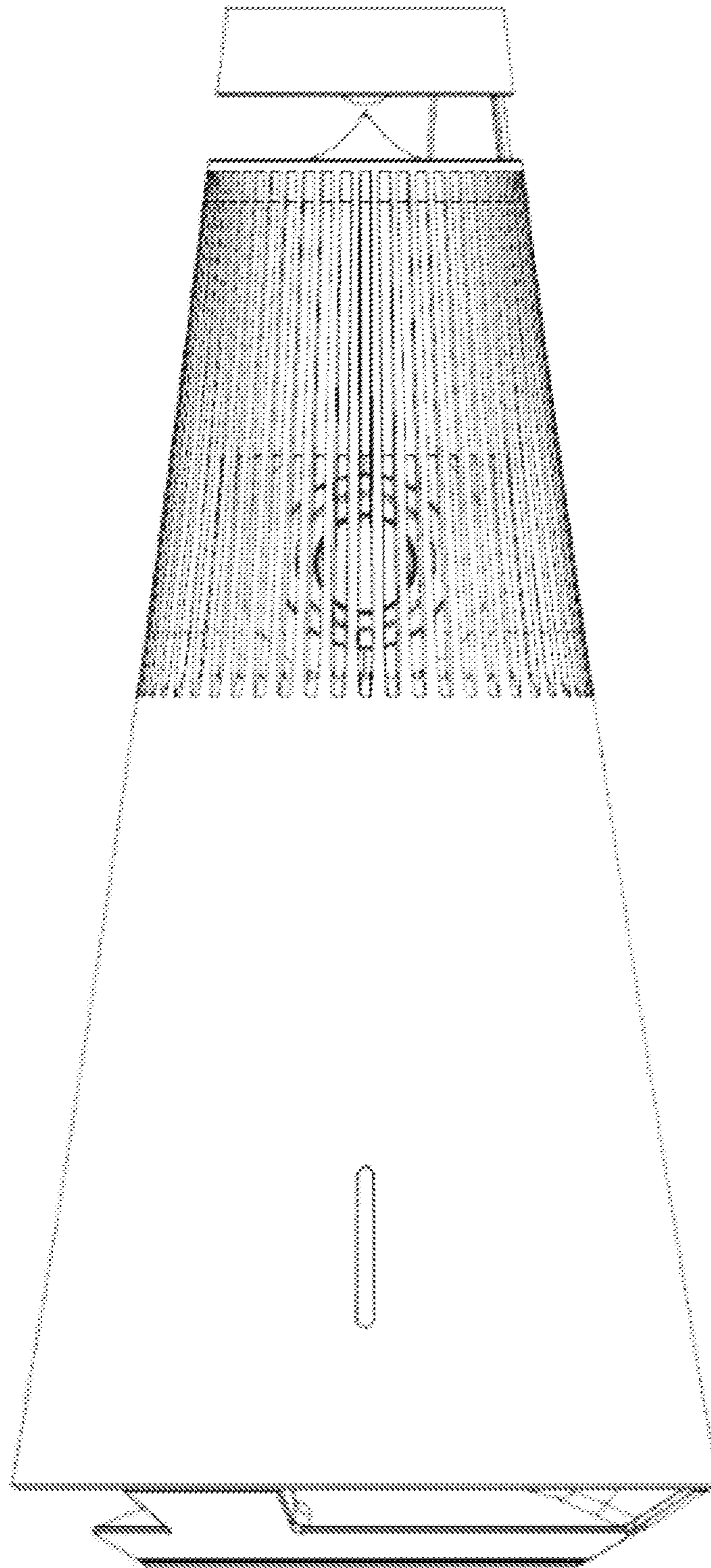


FIG. 5

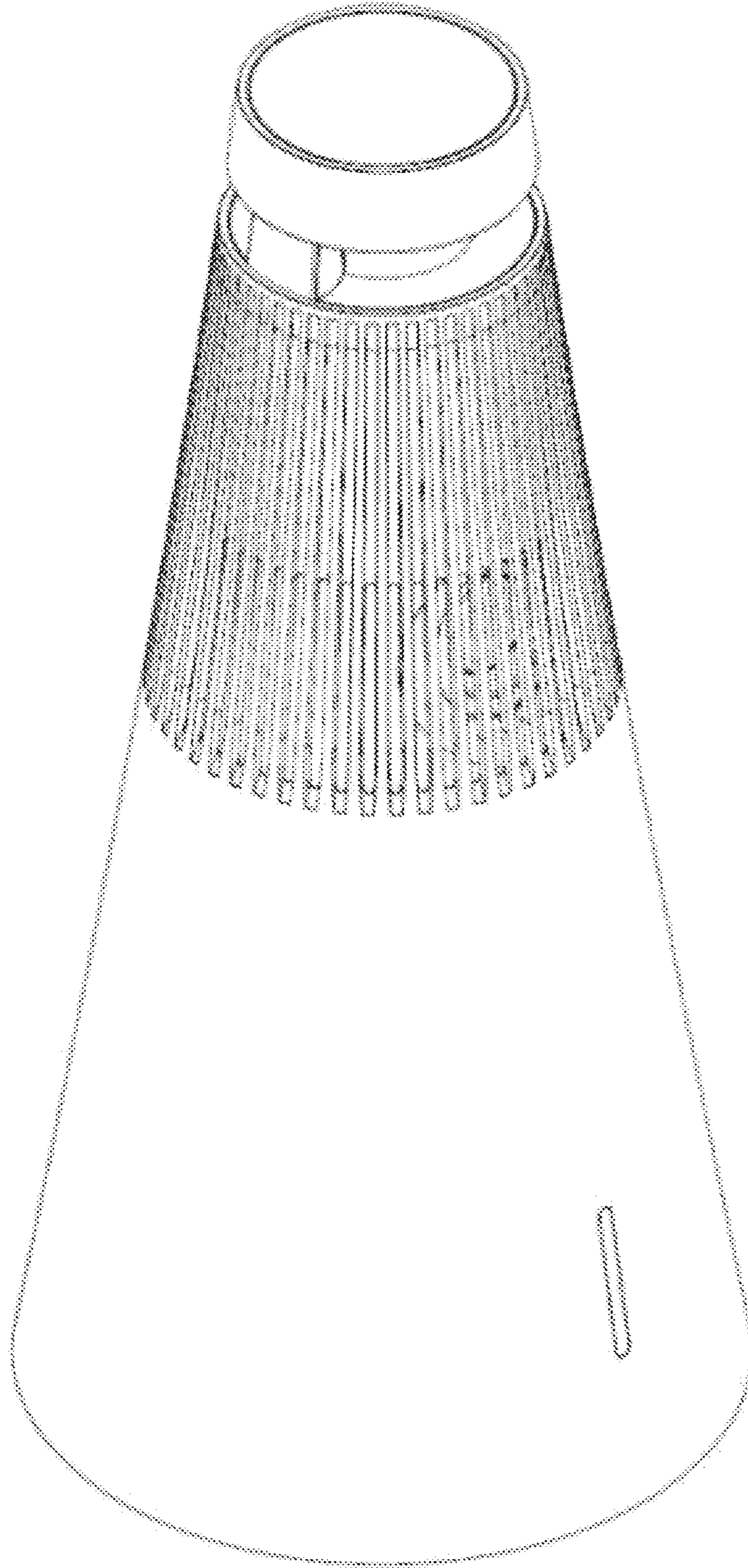


FIG. 6

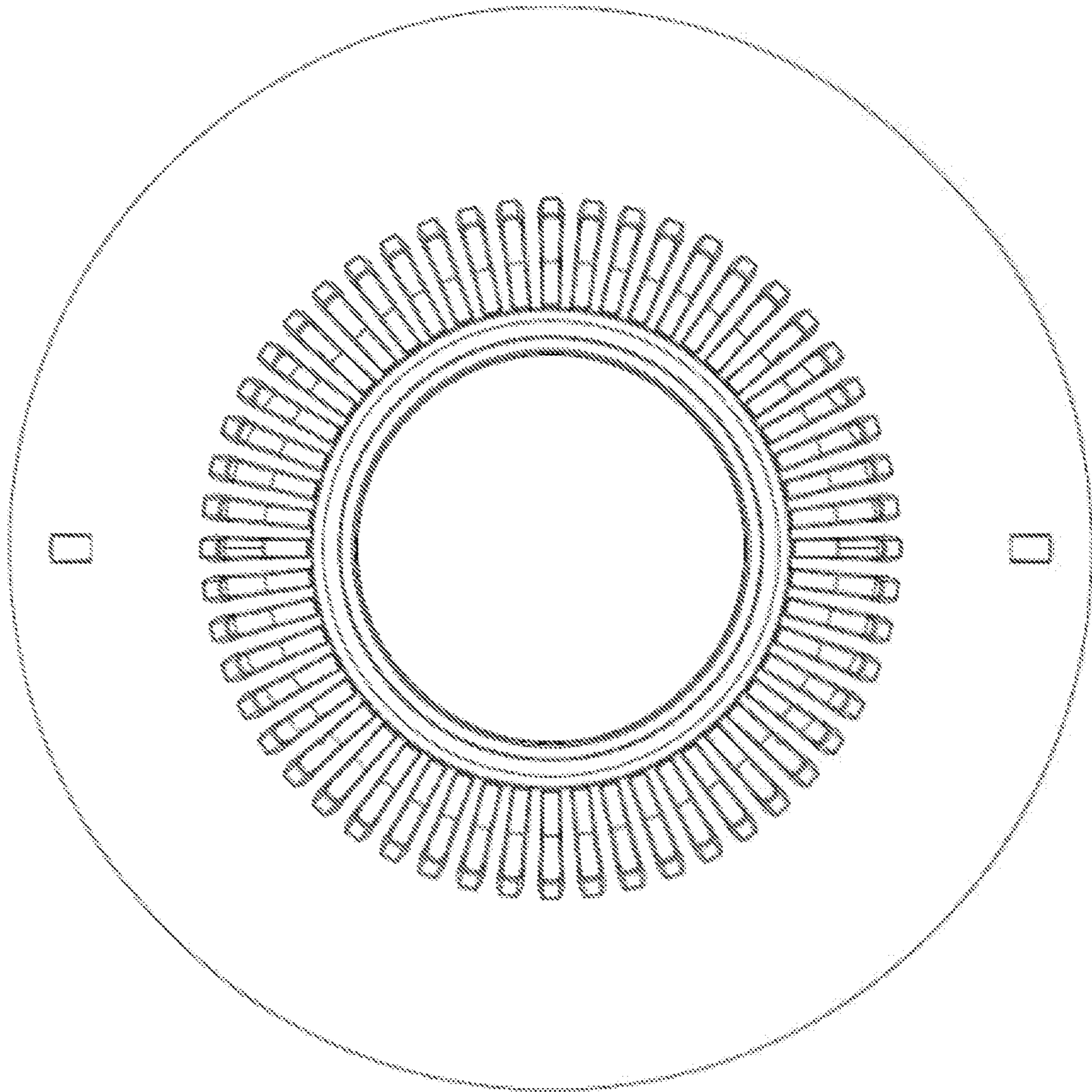


FIG. 7