



US00D880453S

(12) **United States Design Patent**
Walcott et al.

(10) **Patent No.:** **US D880,453 S**
(45) **Date of Patent:** **** Apr. 7, 2020**

(54) **SPEAKER**
(71) Applicant: **Dolby Laboratories Licensing Corporation**, San Francisco, CA (US)
(72) Inventors: **Drew Walcott**, San Francisco, CA (US); **Grayson Byrd**, San Francisco, CA (US); **Peter Michaelian**, San Francisco, CA (US); **Brian Renz**, San Francisco, CA (US); **John Stewart**, San Francisco, CA (US); **Cody Proksa**, San Francisco, CA (US); **Vince Voron**, San Francisco, CA (US); **Sripal Mehta**, San Francisco, CA (US); **Alan Seefeldt**, San Francisco, CA (US)

(73) Assignee: **DOLBY LABORATORIES LICENSING CORPORATION**, San Francisco, CA (US)

(**) Term: **15 Years**

(21) Appl. No.: **29/657,810**

(22) Filed: **Jul. 25, 2018**

(51) **LOC (12) Cl.** **14-01**

(52) **U.S. Cl.**
USPC **D14/209.1; D14/228**

(58) **Field of Classification Search**
USPC D14/209.1, 204, 211, 215, 216, 224, D14/224.1, 225; 181/144, 148, 153, 157, 181/155, 198, 150, 199; 381/301, 302, 381/303, 306, 332, 334, 336, 345, 381/361-363, 386-388
CPC H04R 1/02; H04R 1/021; H04R 1/023; H04R 5/00; H04R 9/06; H04R 2420/07
See application file for complete search history.

(56) **References Cited**

U.S. PATENT DOCUMENTS

2,646,240 A * 7/1953 Anderson B60R 13/00 248/207
D186,892 S * 12/1959 Wilber D14/211

2,918,568 A * 12/1959 Steber F21V 17/00 362/410
3,083,979 A * 4/1963 Boyd A63B 19/02 280/78
D203,003 S * 11/1965 Spencer D14/172
3,240,456 A * 3/1966 Hartman H02G 3/266 248/74.5
D210,538 S * 3/1968 Lahti D14/213
3,385,929 A * 5/1968 Magyar F16M 11/08 381/300

(Continued)

FOREIGN PATENT DOCUMENTS

EM 006081873-0001 * 1/2019
EM 006081873-0002 * 1/2019

(Continued)

Primary Examiner — Paula Allen Greene

(74) *Attorney, Agent, or Firm* — McAndrews, Held & Malloy, Ltd.

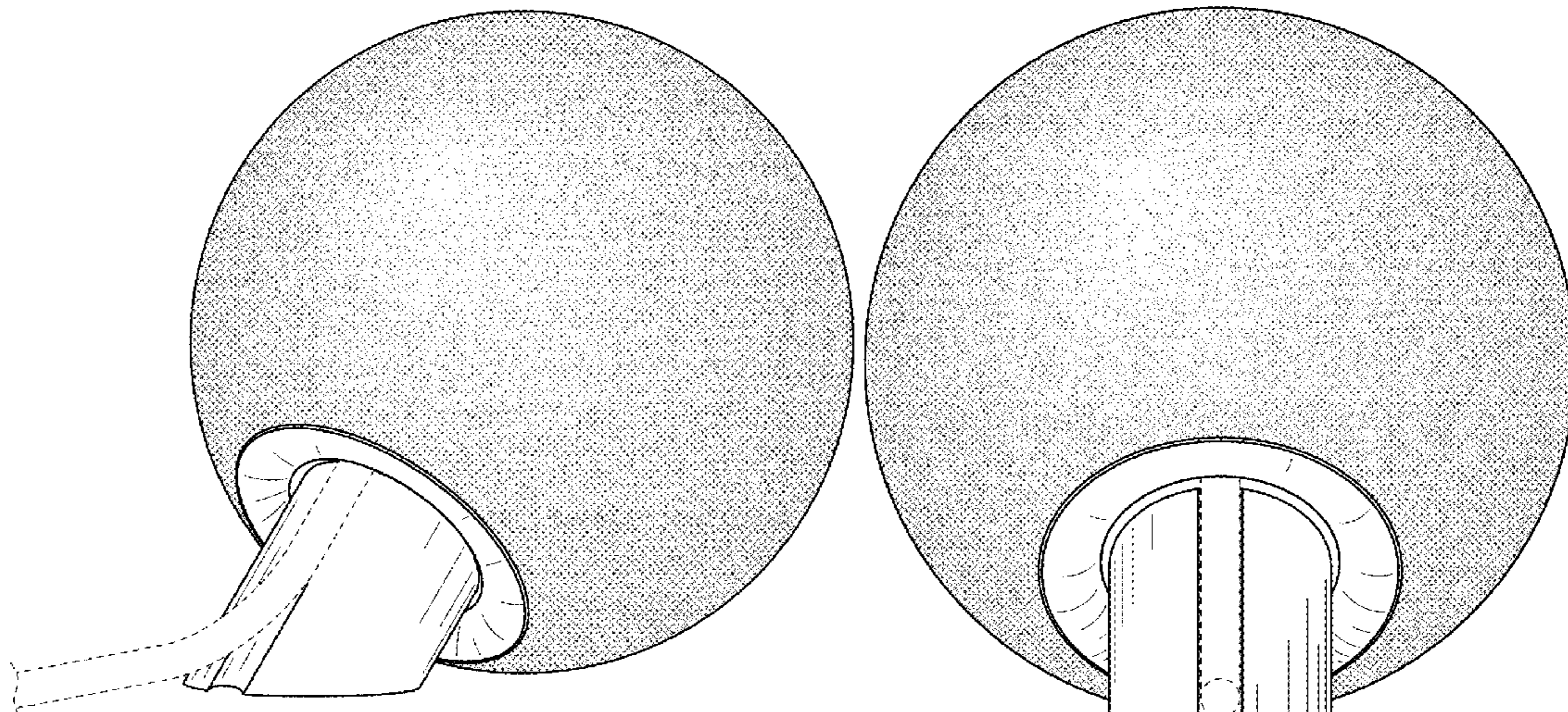
(57) **CLAIM**

The ornamental design for a speaker, as shown and described.

DESCRIPTION

FIG. 1 is a rear perspective view of a speaker showing our new design;
FIG. 2 is a left side elevation view thereof;
FIG. 3 is a right side elevation view thereof;
FIG. 4 is a front elevation view thereof;
FIG. 5 is a rear elevation view thereof;
FIG. 6 is a top plan view thereof;
FIG. 7 is a bottom plan view thereof; and,
FIG. 8 is an exploded rear perspective view thereof.
The dashed broken lines in the figures illustrate portions of the speaker that form no part of the claimed design.

1 Claim, 5 Drawing Sheets



(56)

References Cited

U.S. PATENT DOCUMENTS

3,435,910 A * 4/1969 Lahti H04R 1/021
181/152
D222,072 S * 9/1971 Levitt D14/211
3,720,787 A * 3/1973 Ishii H04R 1/02
381/336
3,812,301 A * 5/1974 Lahti G10K 11/28
381/341
4,052,564 A * 10/1977 Propst G10K 11/175
381/73.1
D281,066 S * 10/1985 Humble D14/215
4,563,542 A * 1/1986 Pollack H02G 3/266
174/68.3
4,953,223 A * 8/1990 Householder F16M 11/24
381/182
D349,704 S * 8/1994 Tsing D14/216
D395,715 S * 6/1998 Queen D26/24
D397,119 S * 8/1998 Okon D14/228
5,812,685 A * 9/1998 Fujita H04R 1/403
181/144
6,009,972 A * 1/2000 Choi H04R 1/345
181/153
D426,230 S * 6/2000 De Iuliis D14/216
D430,142 S * 8/2000 Kuo D14/211
D447,471 S * 9/2001 Andre D14/215
D466,887 S * 12/2002 Lewis D14/216
D487,737 S * 3/2004 Lewis D14/215
D499,666 S * 12/2004 Ciaccia D11/181
6,856,692 B2 * 2/2005 Lin H04R 1/026
181/199
D510,926 S * 10/2005 Jerome D14/168
D514,093 S * 1/2006 Borsboom D14/216
D519,112 S * 4/2006 Yang D14/228
7,068,801 B1 * 6/2006 Stinson H04R 1/406
381/160
D526,644 S * 8/2006 Breit D14/216
D552,054 S * 10/2007 Pena Angarita D14/496

D567,673 S * 4/2008 Chu D10/15
D573,135 S * 7/2008 Laituri D14/168
D597,532 S * 8/2009 Wang D14/211
7,840,013 B2 * 11/2010 Dedieu H04R 1/406
381/122
8,068,618 B2 * 11/2011 Vollmer H04R 1/42
181/153
D676,423 S * 2/2013 Joseph D14/216
D696,298 S * 12/2013 Britt, Jr. D14/496
D703,193 S * 4/2014 Trewartha D14/225
8,989,420 B1 * 3/2015 Hamer H04R 1/02
381/122
D733,690 S * 7/2015 Zukowski D14/228
D744,977 S * 12/2015 Wagner D14/204
D765,617 S * 9/2016 Mackiewicz D14/216
D770,415 S * 11/2016 Pellisari D14/216
D789,906 S * 6/2017 Zhang D14/209.1
D793,363 S * 8/2017 Zhang D14/216
D808,936 S * 1/2018 Cooper D14/225
D813,191 S * 3/2018 Pignotti D14/204
D839,856 S * 2/2019 Chen D14/228
D851,073 S * 6/2019 Tong D14/227
D855,584 S * 8/2019 Laine D14/216
2006/0013411 A1 * 1/2006 Lin H04R 5/02
381/87
2007/0160246 A1 * 7/2007 Vollmer H04R 1/323
381/336
2008/0137880 A1 * 6/2008 Mills H04R 1/026
381/79
2010/0296686 A1 * 11/2010 Machii H04R 1/345
381/387
2014/0064543 A1 * 3/2014 Zukowski H04R 1/342
381/360

FOREIGN PATENT DOCUMENTS

EM 006081873-0003 * 1/2019
EM 006081873-0004 * 1/2019

* cited by examiner

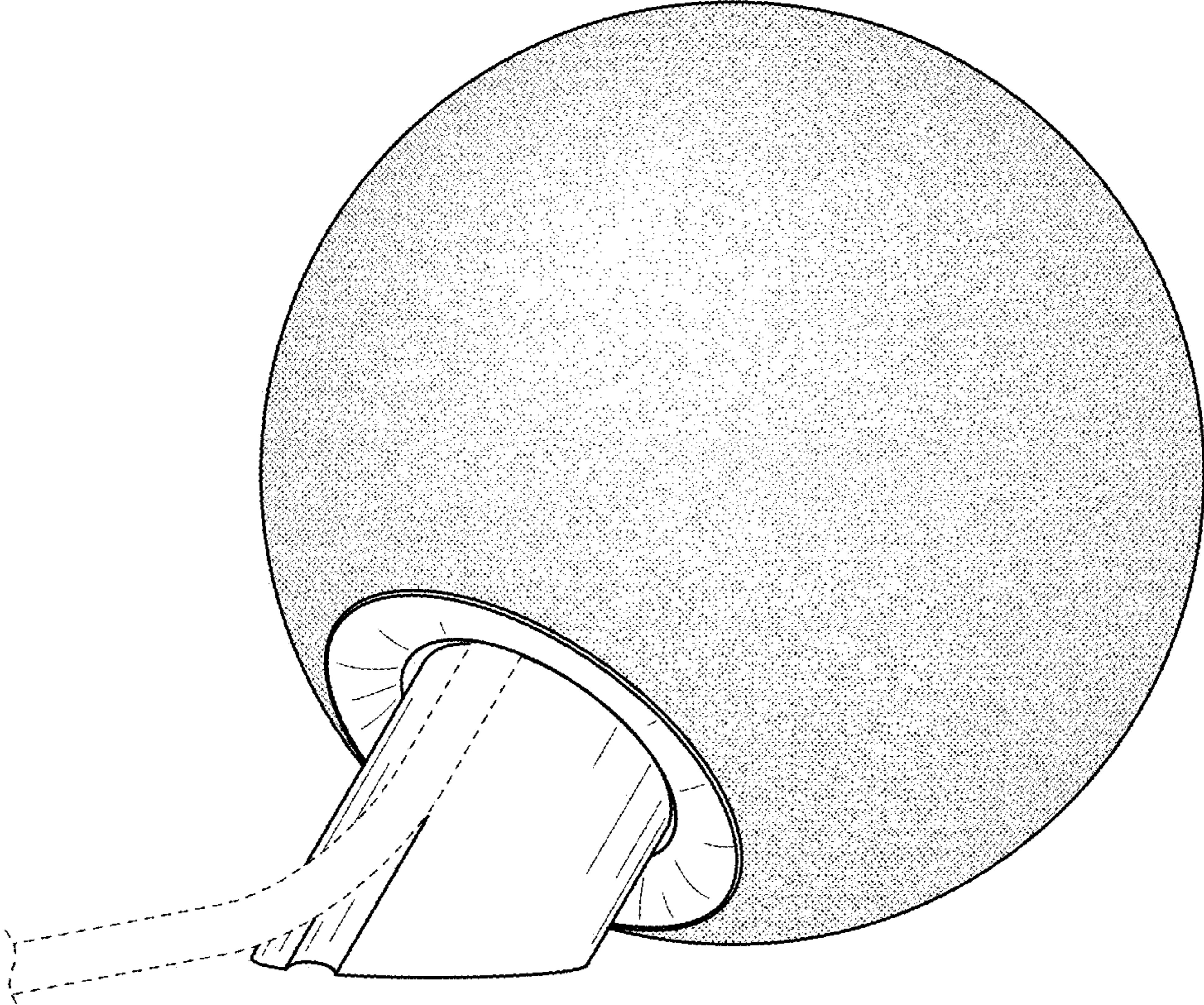


FIG. 1

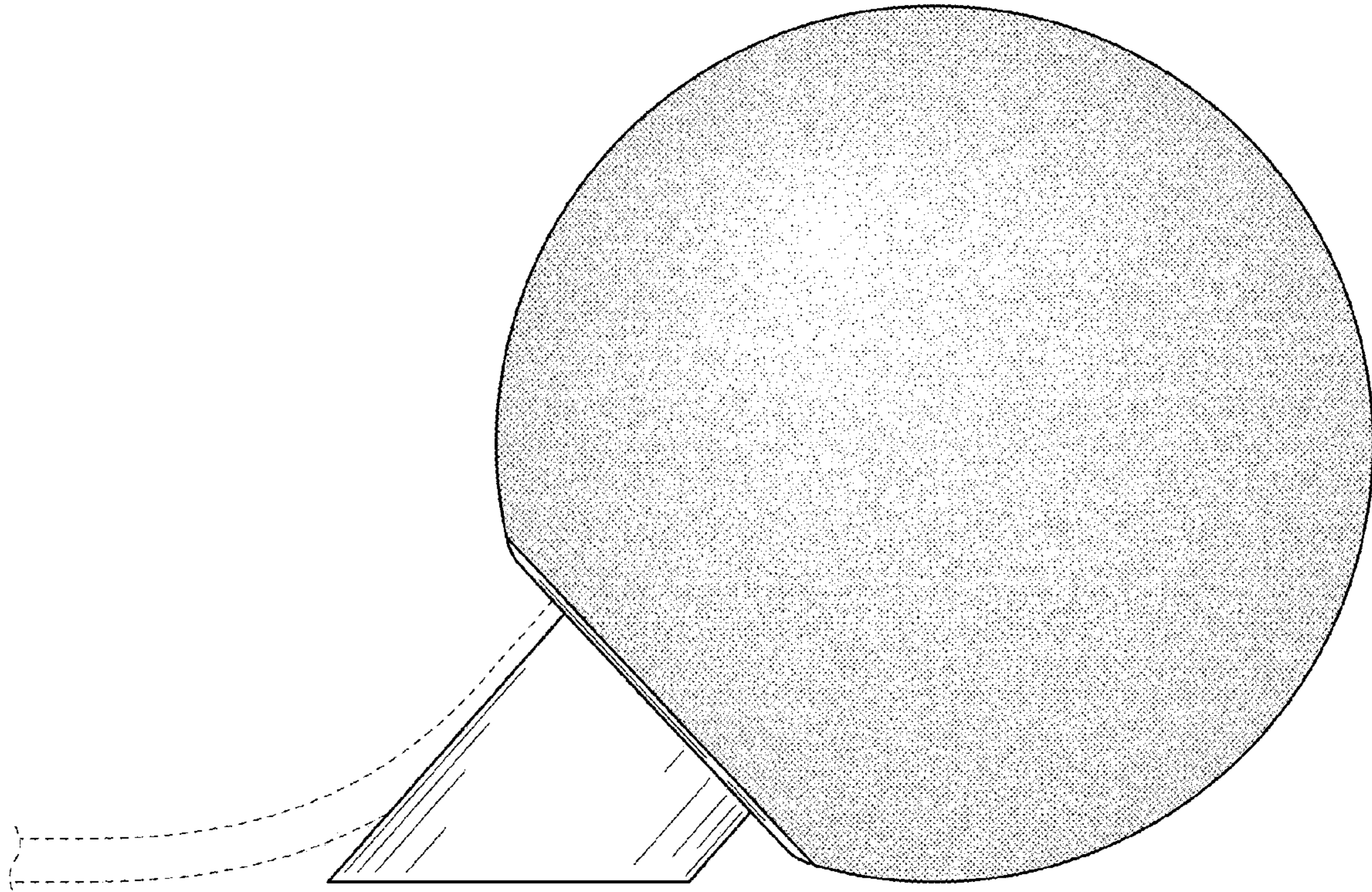


FIG. 2

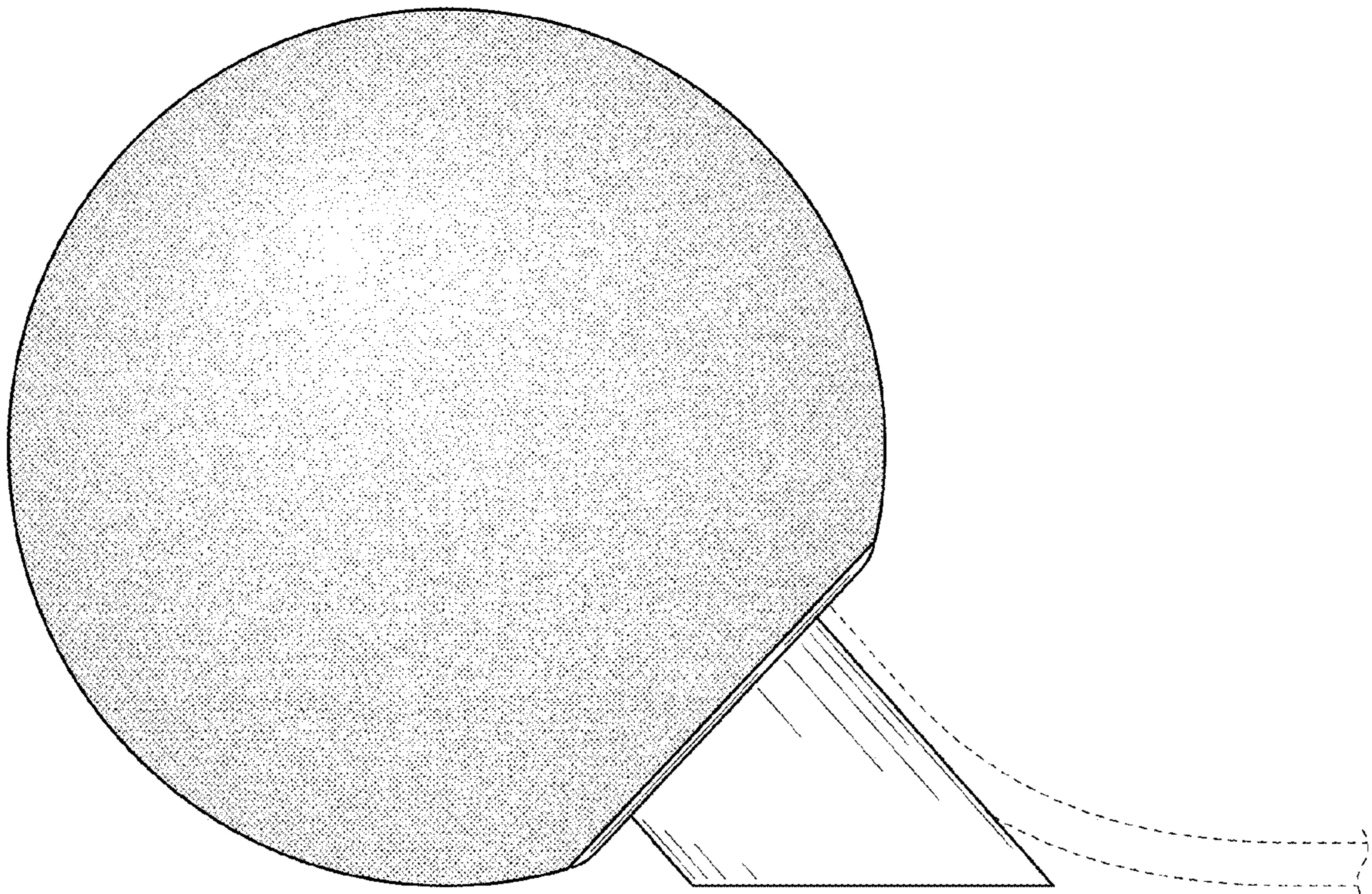


FIG. 3

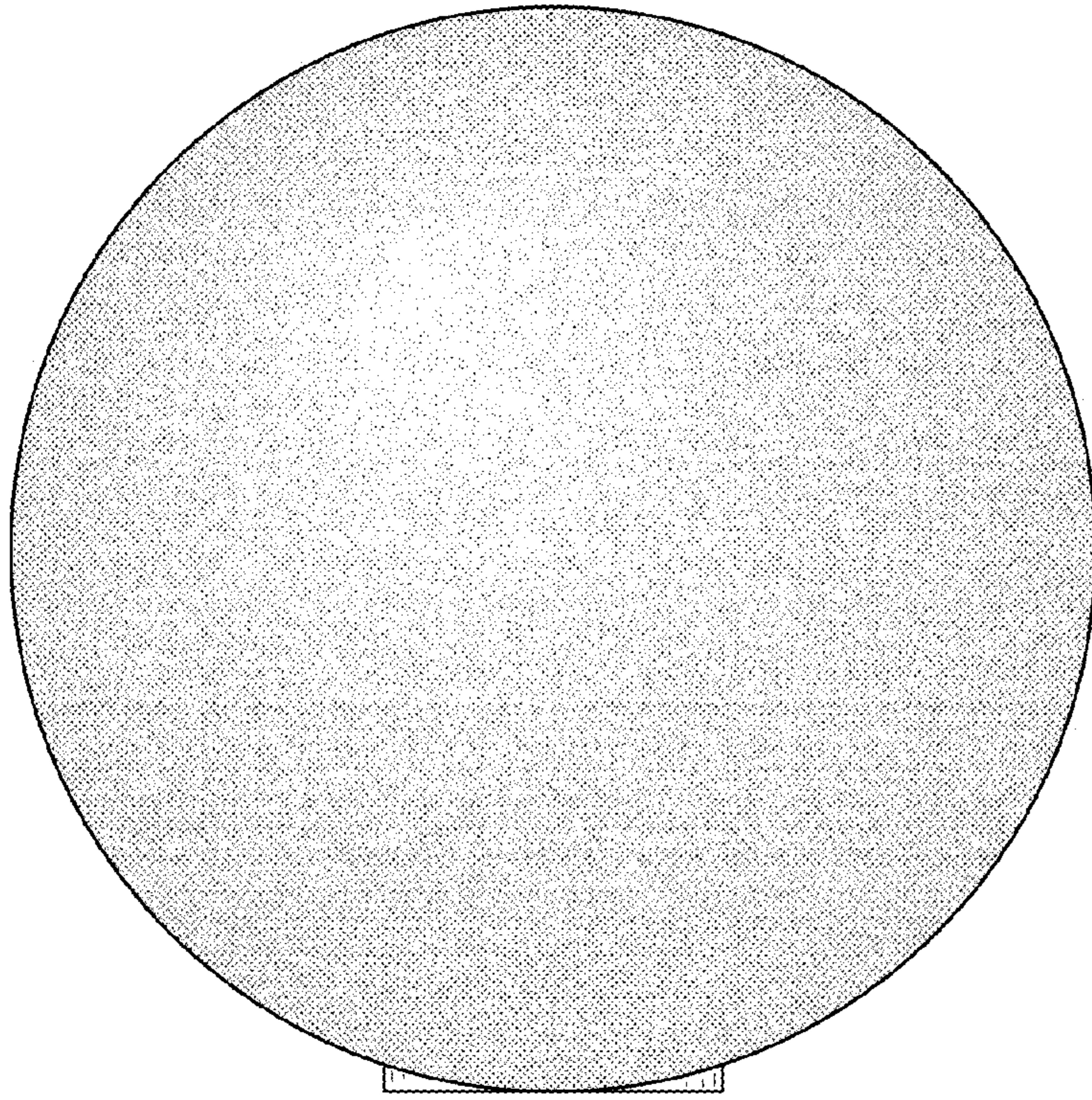


FIG. 4

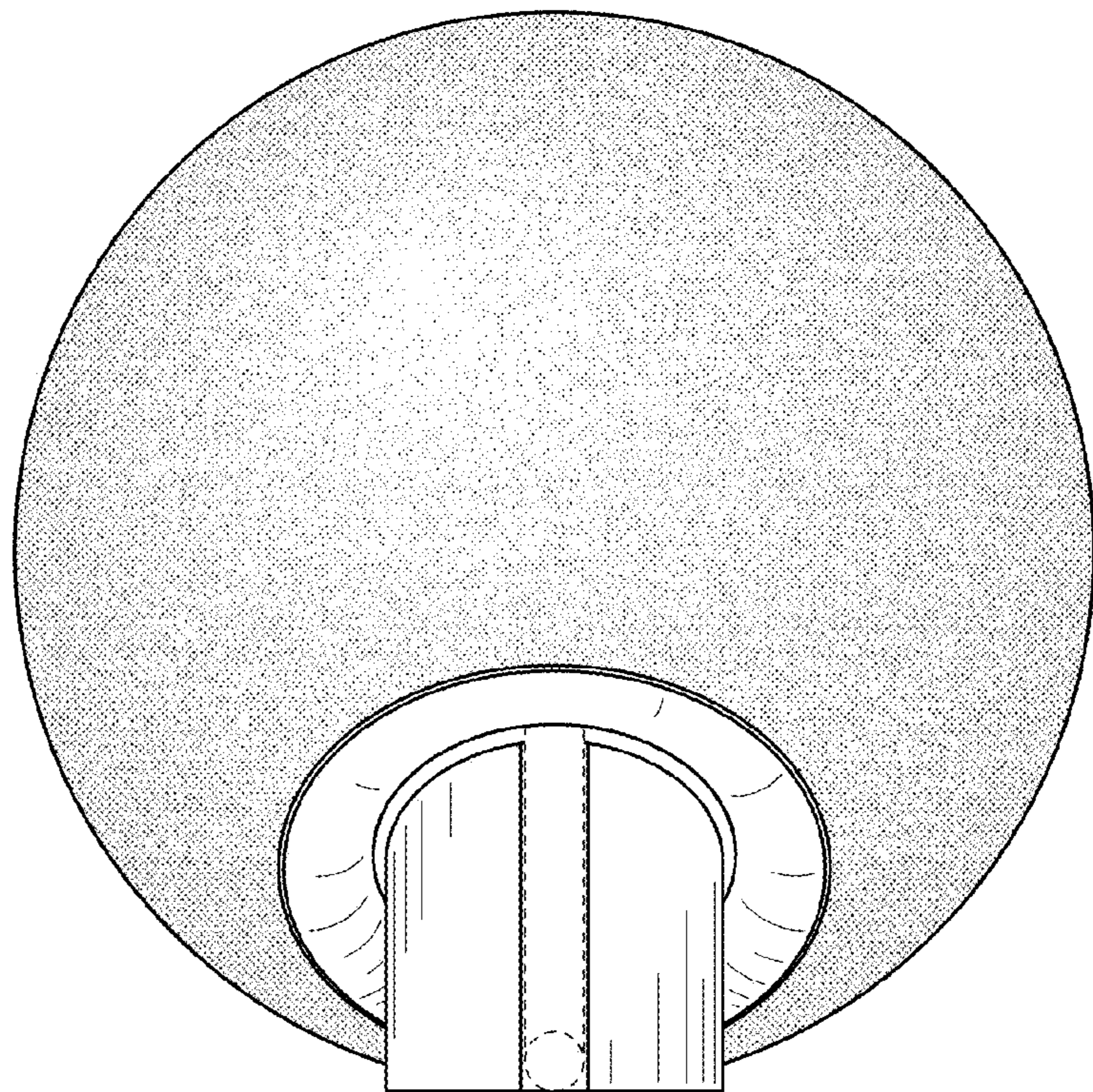


FIG. 5

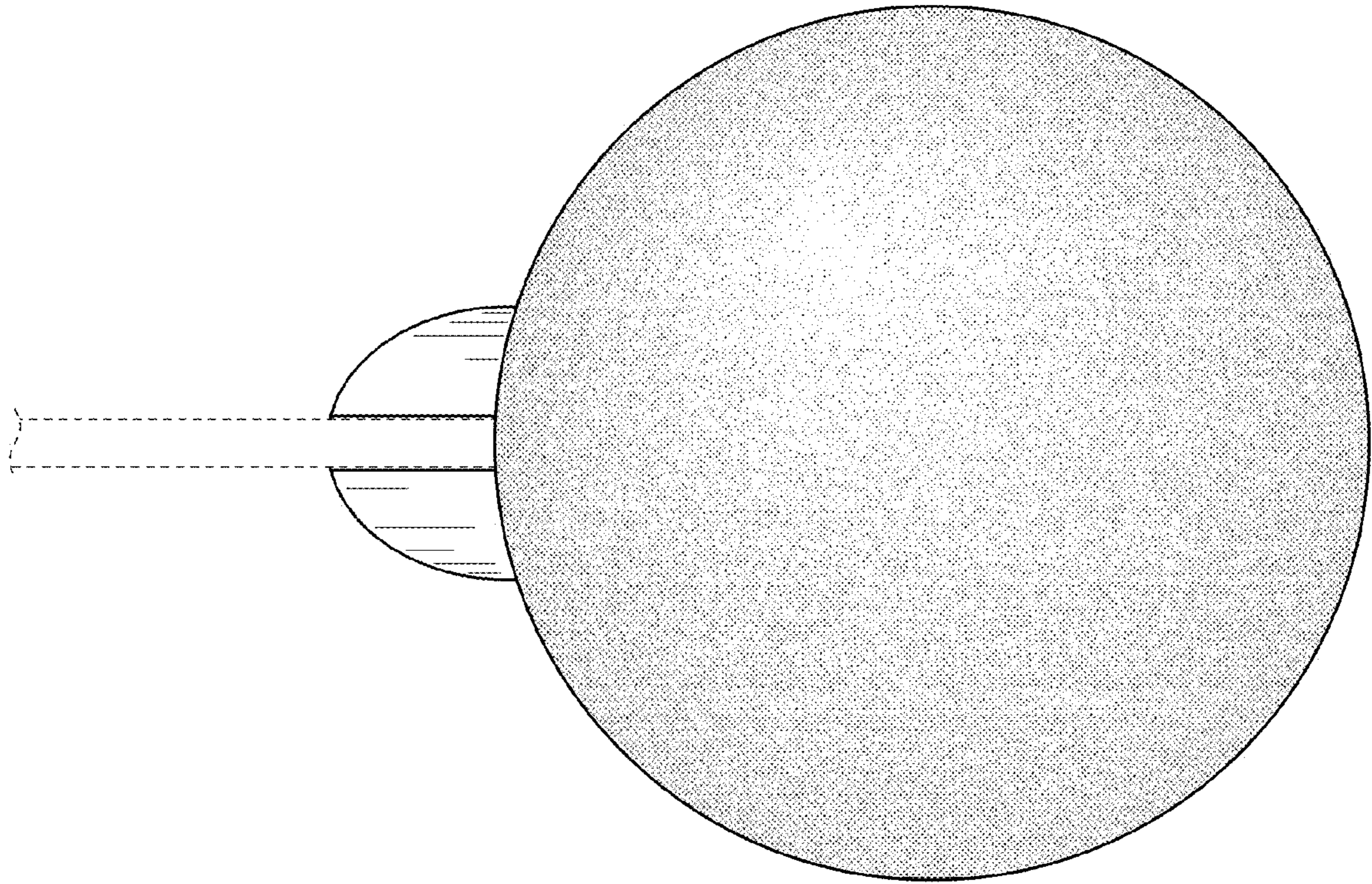


FIG. 6

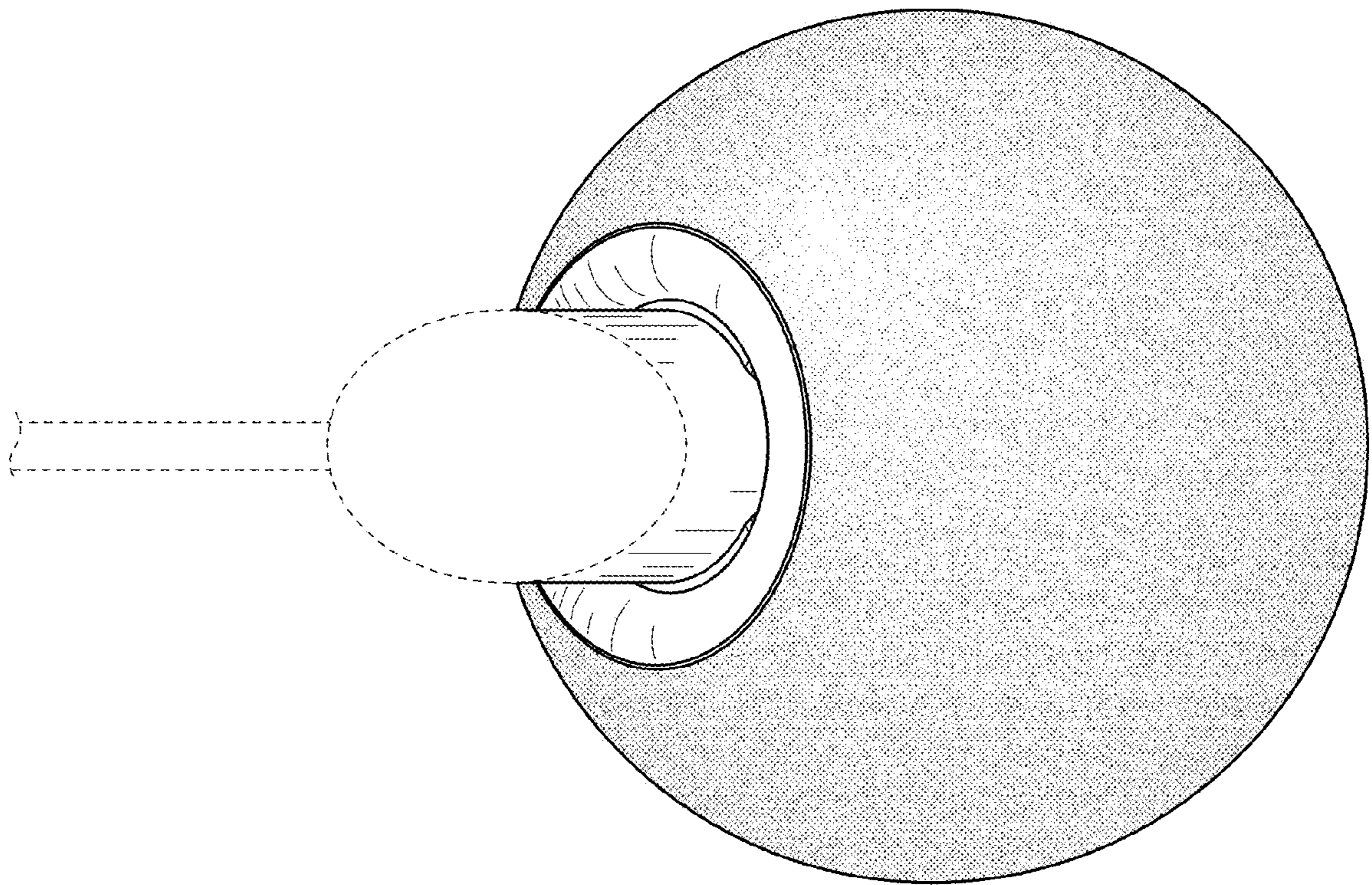


FIG. 7

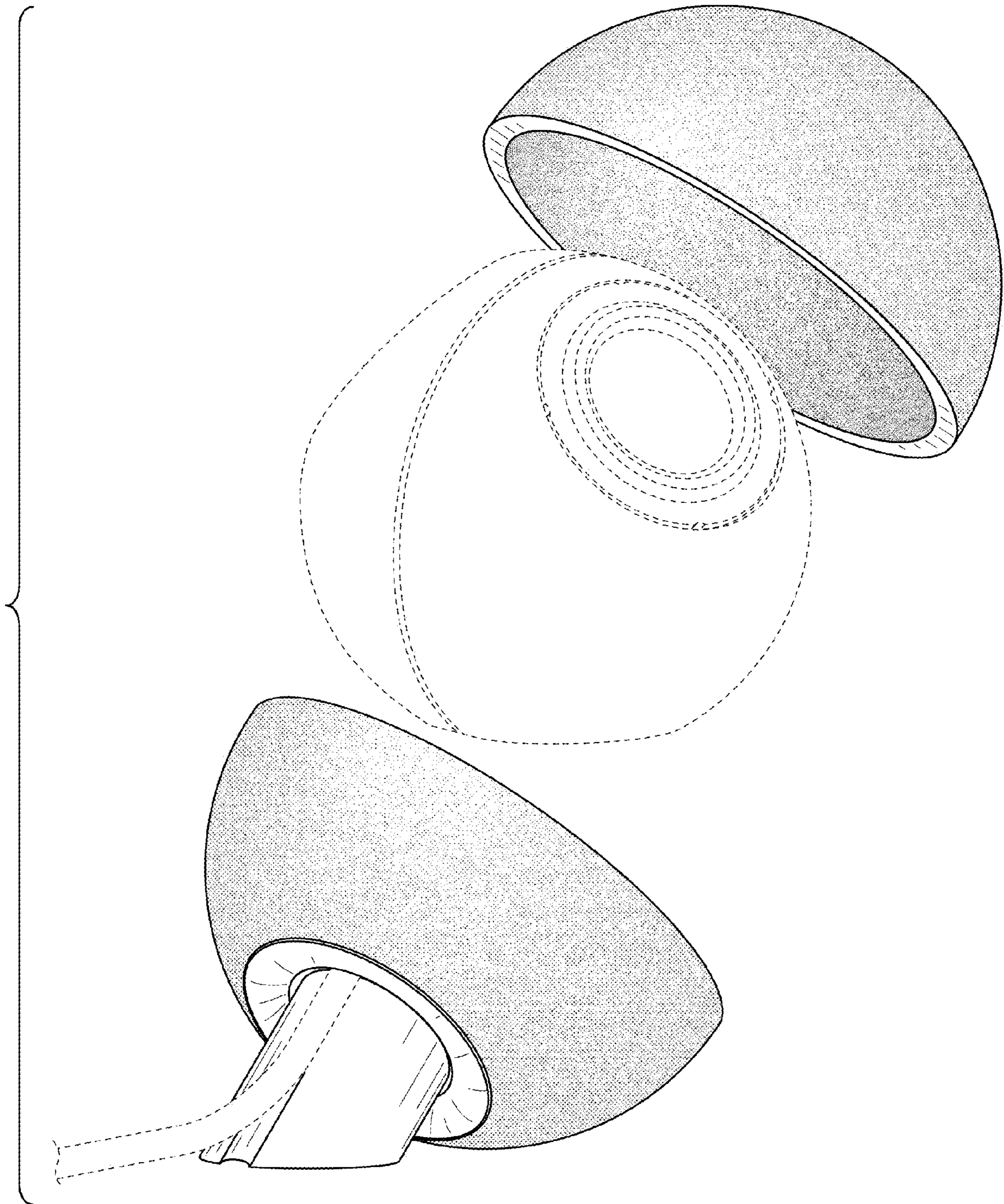


FIG. 8