



US00D880450S

(12) **United States Design Patent**  
**Liu**

(10) **Patent No.:** **US D880,450 S**

(45) **Date of Patent:** **\*\* Apr. 7, 2020**

(54) **HEADPHONE**

(71) Applicant: **Suyun Liu, Jiangxi (CN)**

(72) Inventor: **Suyun Liu, Jiangxi (CN)**

(\*\*) Term: **15 Years**

(21) Appl. No.: **29/658,542**

(22) Filed: **Aug. 1, 2018**

(51) **LOC (12) Cl.** ..... **14-01**

(52) **U.S. Cl.**  
USPC ..... **D14/206; D14/226**

(58) **Field of Classification Search**  
USPC ..... D14/206, 226, 205, 372; D29/112;  
2/209; 181/129, 130, 135; 379/430, 431;  
381/380, 381, 374; 345/7, 8; 455/90.3,  
455/575.1, 569.1

CPC .... H04R 25/00; H04R 1/1066; H04R 1/1016;  
H04R 5/033; H04R 5/0335; H04R 19/04  
See application file for complete search history.

(56) **References Cited**

**U.S. PATENT DOCUMENTS**

- 3,104,398 A \* 9/1963 Georg ..... A61F 11/14  
2/209
- D255,569 S \* 6/1980 Lung ..... D14/168
- D299,337 S \* 1/1989 Wiegel ..... D14/206
- 4,987,592 A \* 1/1991 Flagg ..... H04M 1/05  
379/430
- D317,767 S \* 6/1991 Banks ..... D14/205
- D326,855 S \* 6/1992 Bose ..... D14/205
- 5,138,722 A \* 8/1992 Urella ..... A61F 11/14  
2/209
- D333,137 S \* 2/1993 Burke ..... D14/206
- 5,185,807 A \* 2/1993 Bergin ..... H04R 1/1066  
181/128
- D345,981 S \* 4/1994 Burke ..... D14/206
- 5,793,878 A \* 8/1998 Chang ..... H04R 5/0335  
381/370

- D418,509 S \* 1/2000 Zeitman ..... D14/192
- D430,140 S \* 8/2000 Roman ..... D14/205
- D442,340 S \* 5/2001 Leight ..... D29/112
- 6,449,806 B1 \* 9/2002 Engelhard ..... H04M 1/05  
2/209
- D592,639 S \* 5/2009 Kuh ..... D14/205
- D625,703 S \* 10/2010 Kolton ..... D14/205
- D634,731 S \* 3/2011 Morisawa ..... D14/205
- D685,759 S \* 7/2013 Kelly ..... D14/205
- D689,464 S \* 9/2013 Bonahoom ..... D14/206
- D691,111 S \* 10/2013 Lee ..... D14/206
- D693,327 S \* 11/2013 Chiu ..... D14/206
- D697,896 S \* 1/2014 Lee ..... D14/205
- D699,216 S \* 2/2014 Bonahoom ..... D14/205
- D713,375 S \* 9/2014 Dedinas ..... D14/206
- D716,762 S \* 11/2014 Greve ..... D14/206

(Continued)

**FOREIGN PATENT DOCUMENTS**

- EM 005512548-0003 \* 7/2018
- EM 005889359-0001 \* 12/2018

*Primary Examiner* — Paula Allen Greene

(74) *Attorney, Agent, or Firm* — Justin Lampel

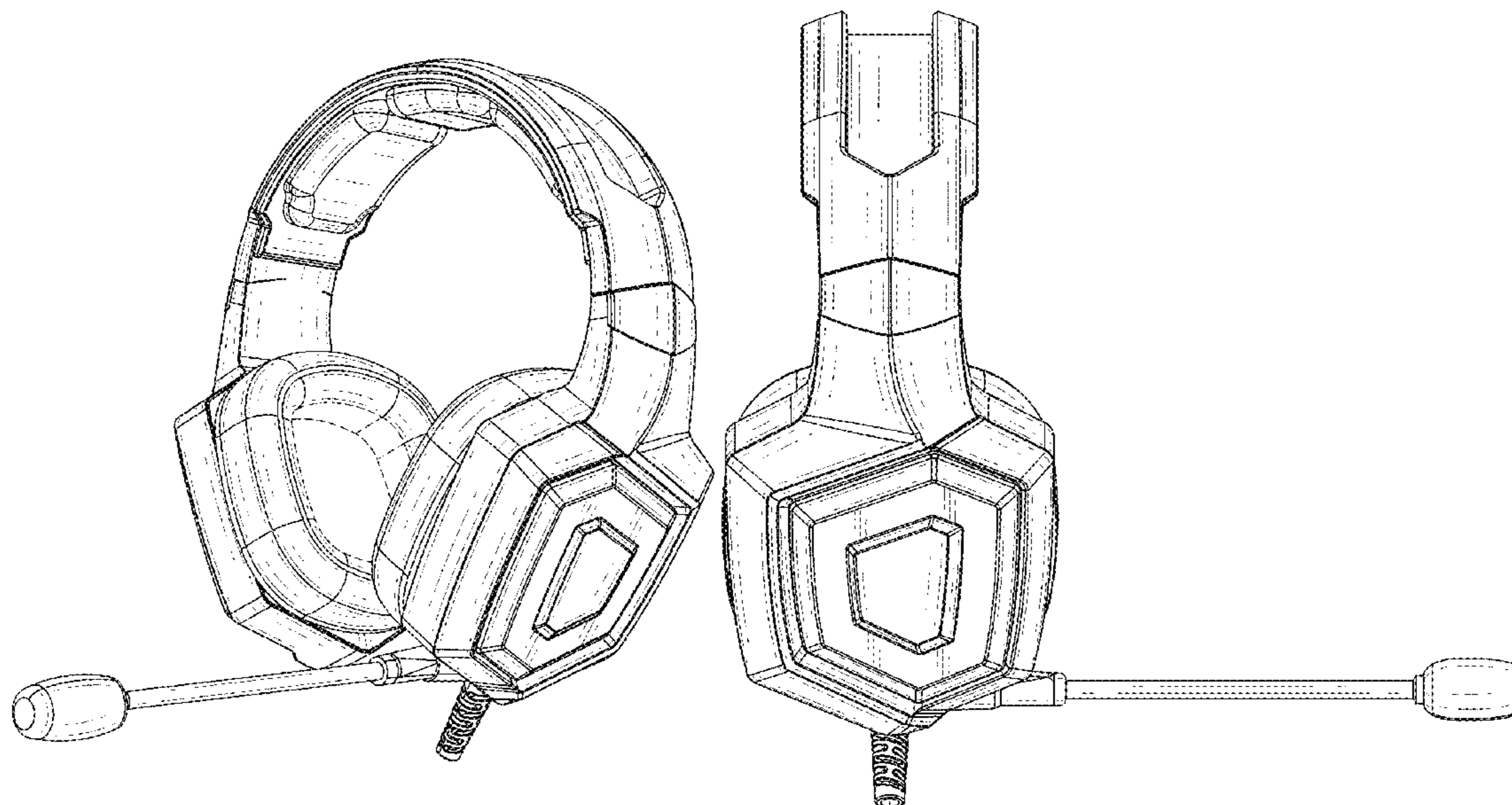
(57) **CLAIM**

The ornamental design for a headphone, as shown and described.

**DESCRIPTION**

FIG. 1 is a perspective view of a headphone showing my new design;  
 FIG. 2 is a front side view thereof;  
 FIG. 3 is a rear side view thereof;  
 FIG. 4 is a right side view thereof;  
 FIG. 5 is a left side view thereof;  
 FIG. 6 is a bottom plan view thereof; and,  
 FIG. 7 is a top plan view thereof.  
 The broken lines depict environment that forms no part of the claimed design.

**1 Claim, 7 Drawing Sheets**



(56)

**References Cited**

## U.S. PATENT DOCUMENTS

9,036,849 B2 \* 5/2015 Thompson ..... H04R 1/083  
381/122  
D733,677 S \* 7/2015 Ling ..... D14/206  
D734,736 S \* 7/2015 Jin ..... D14/206  
D740,256 S \* 10/2015 Carr ..... D14/206  
D741,286 S \* 10/2015 Brennwald ..... D14/205  
D745,860 S \* 12/2015 Logan ..... D14/206  
D746,793 S \* 1/2016 Logan ..... D14/206  
D791,734 S \* 7/2017 Ou ..... D14/206  
D820,813 S \* 6/2018 Sharp ..... D14/206  
D824,362 S \* 7/2018 Probst ..... D14/206  
D826,900 S \* 8/2018 Jensen ..... D14/206  
D841,620 S \* 2/2019 Liu ..... D14/206  
D856,970 S \* 8/2019 Tang ..... D14/206  
D856,971 S \* 8/2019 Tang ..... D14/206  
D857,657 S \* 8/2019 Skinner ..... D14/206  
2001/0017925 A1 \* 8/2001 Ceravolo ..... H04M 1/05  
381/370  
2010/0040252 A1 \* 2/2010 Thompson ..... H04R 1/083  
381/375  
2011/0194721 A1 \* 8/2011 Schmidt ..... H04R 1/1066  
381/370  
2017/0019728 A1 \* 1/2017 Cochran ..... H04R 5/0335

\* cited by examiner



FIG. 1

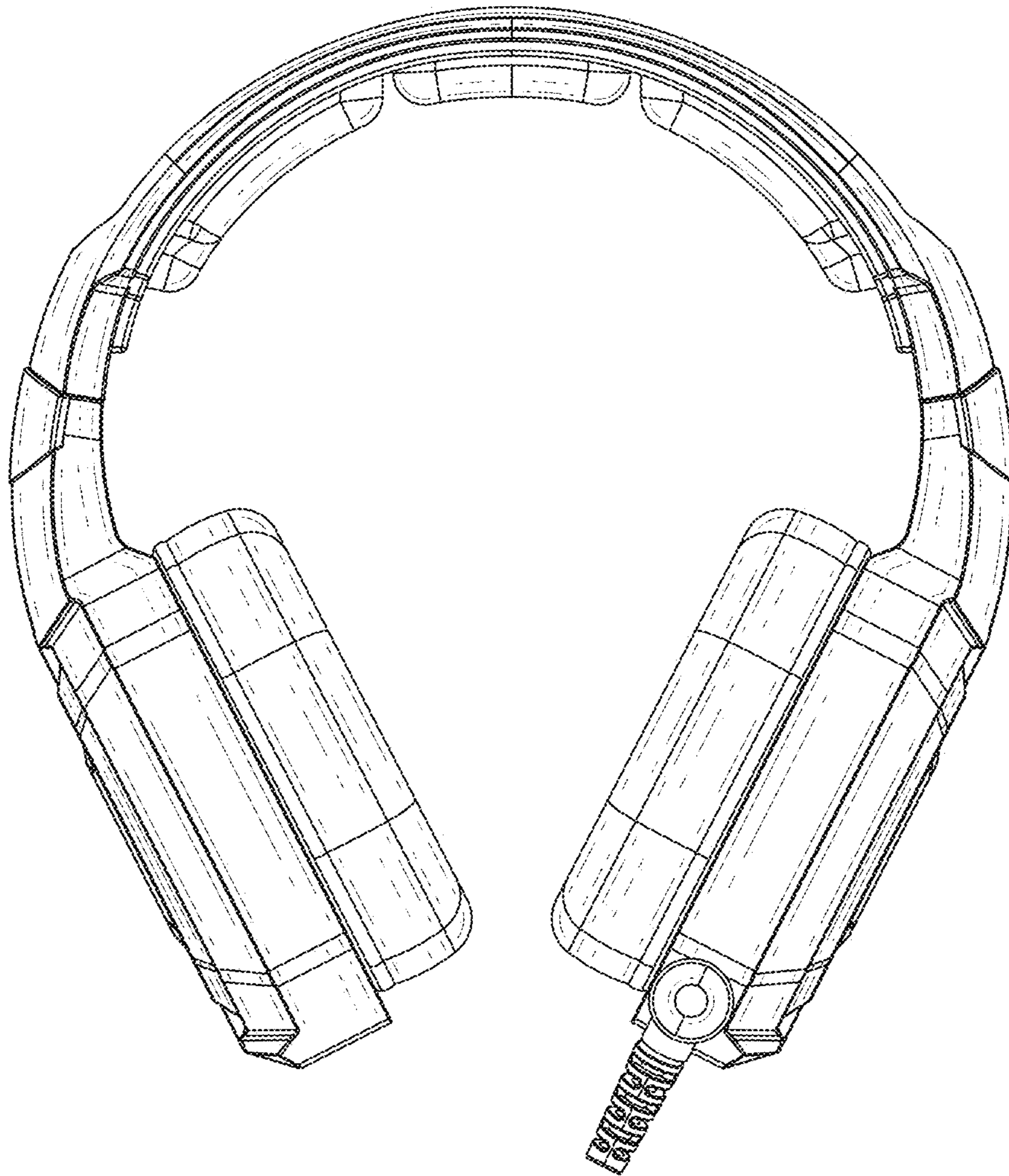


FIG. 2

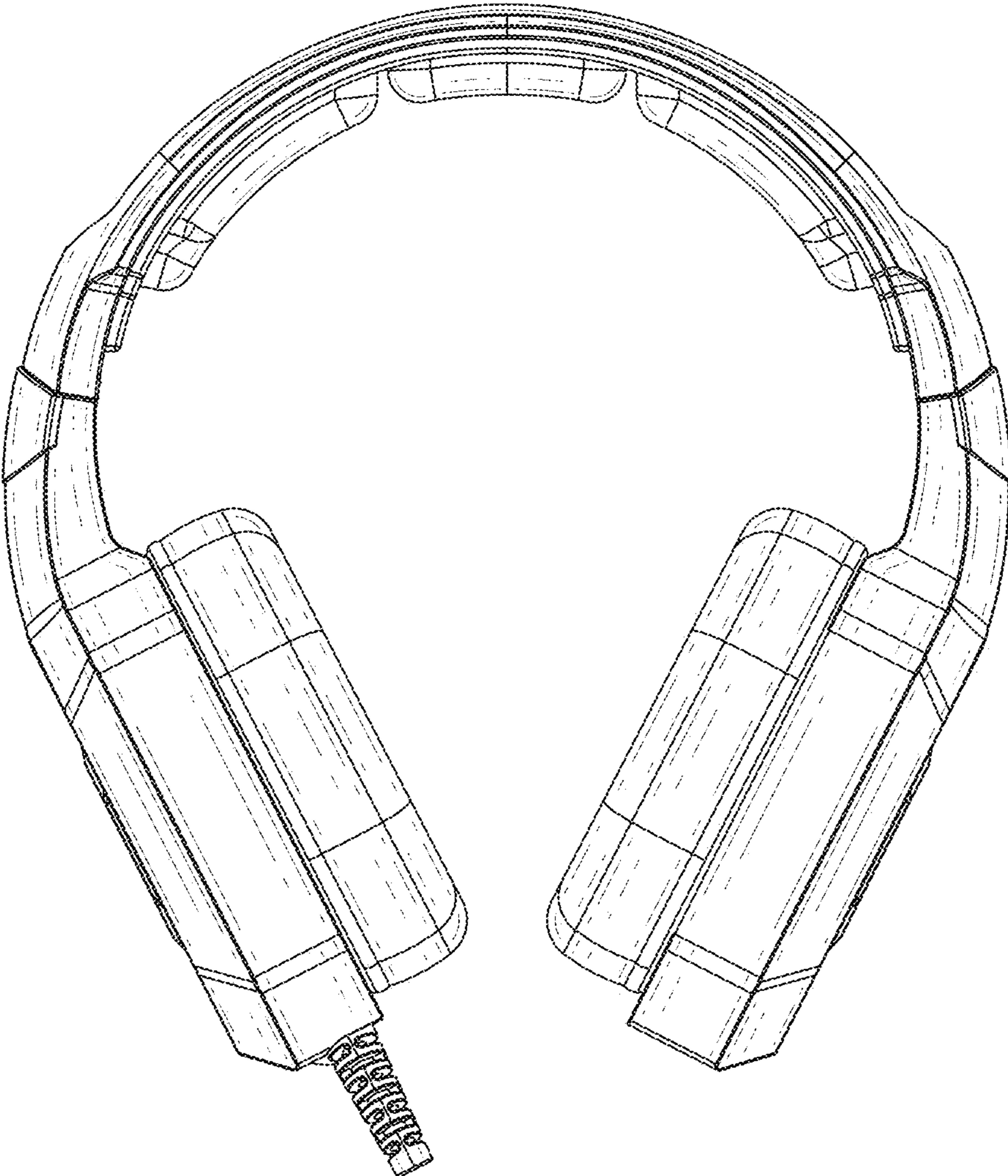


FIG. 3

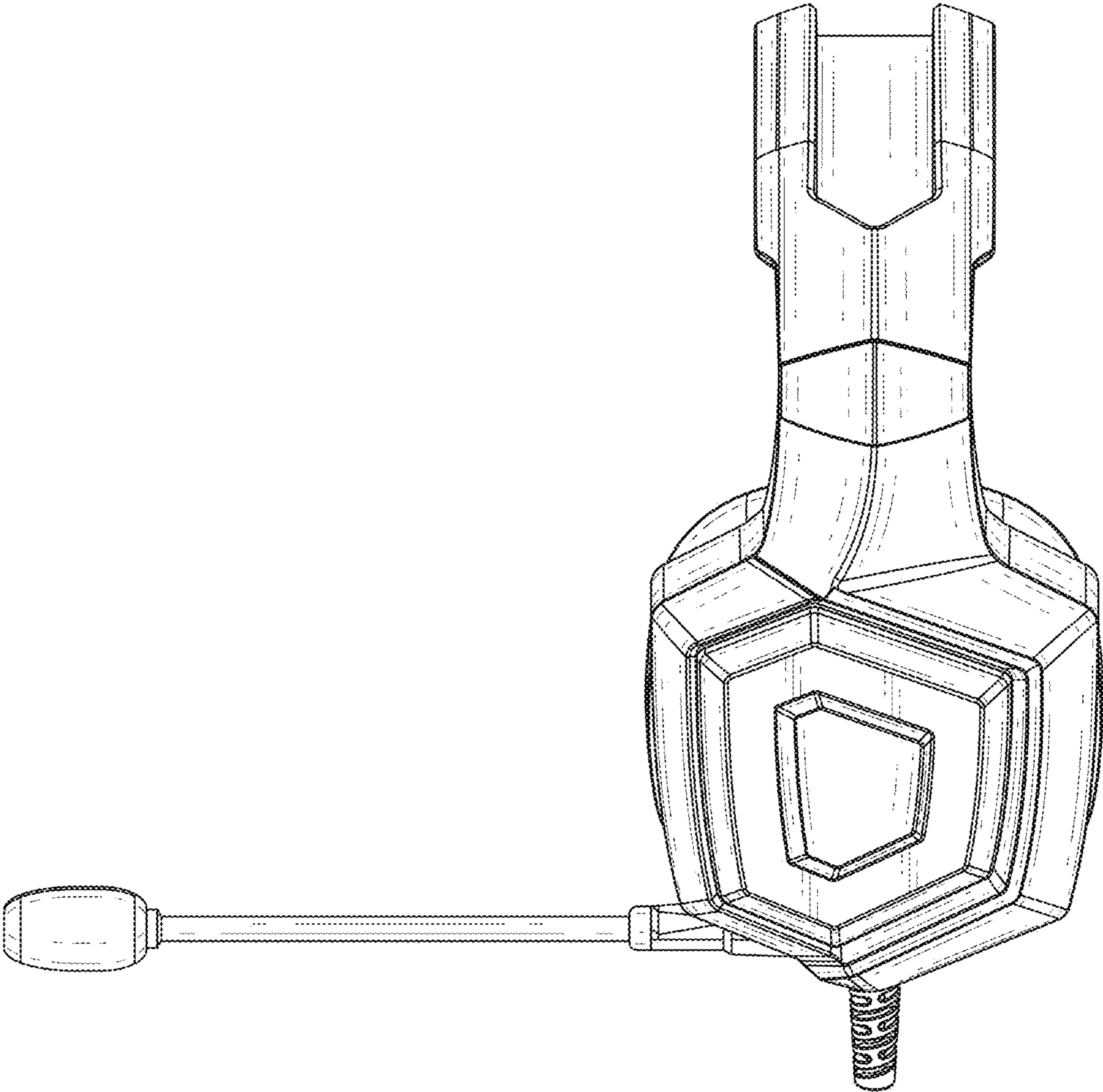


FIG. 4

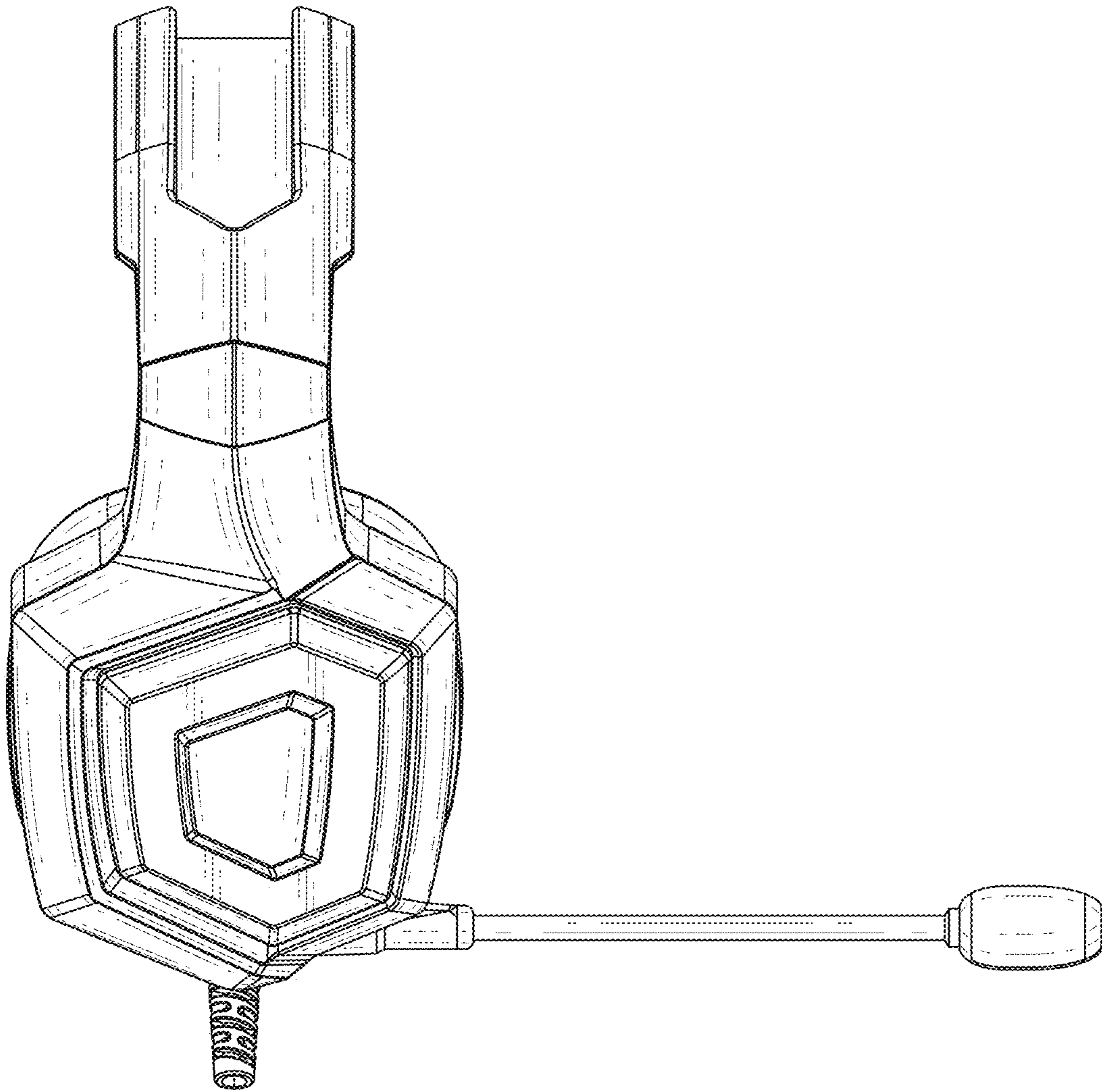


FIG. 5

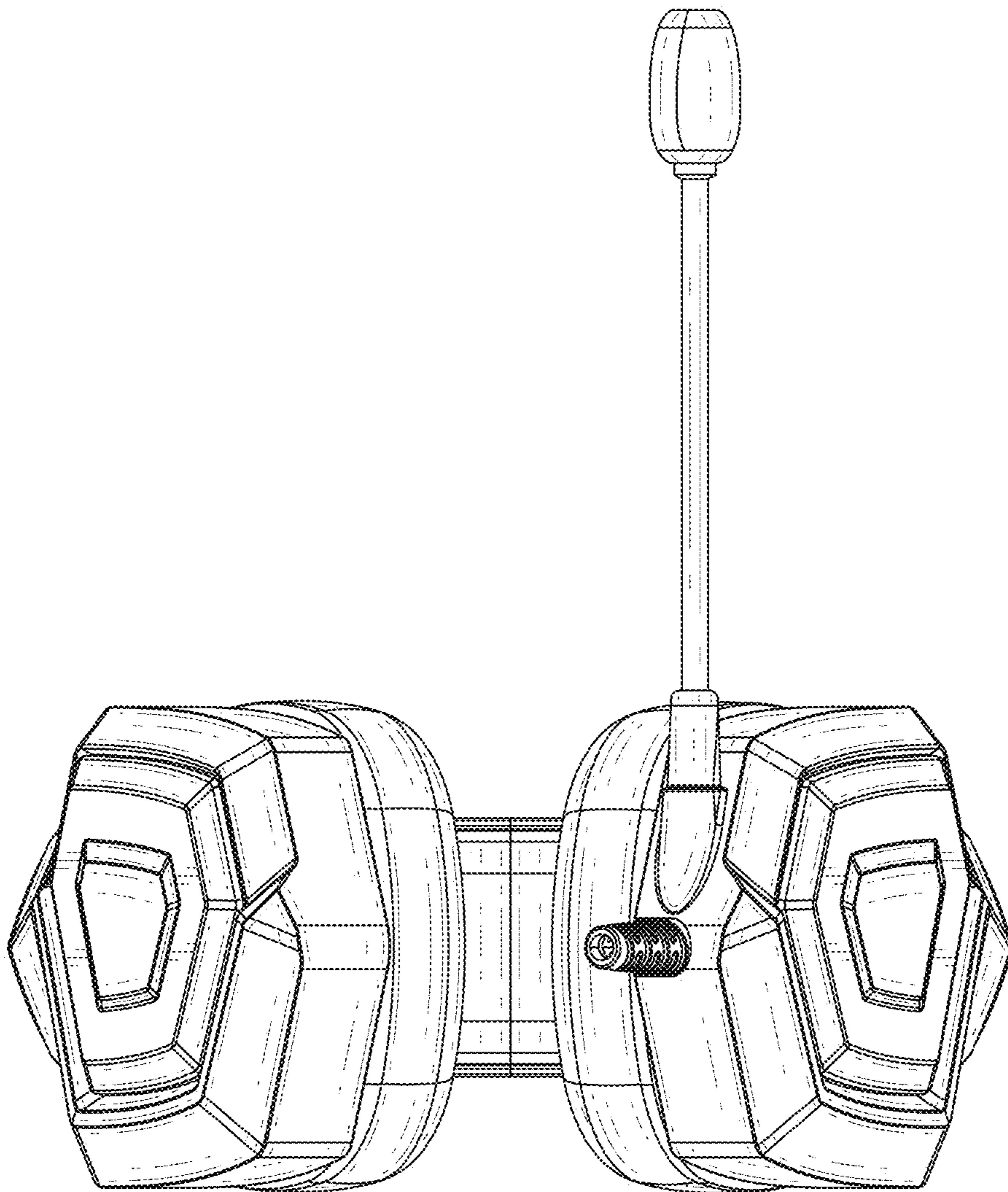


FIG. 6



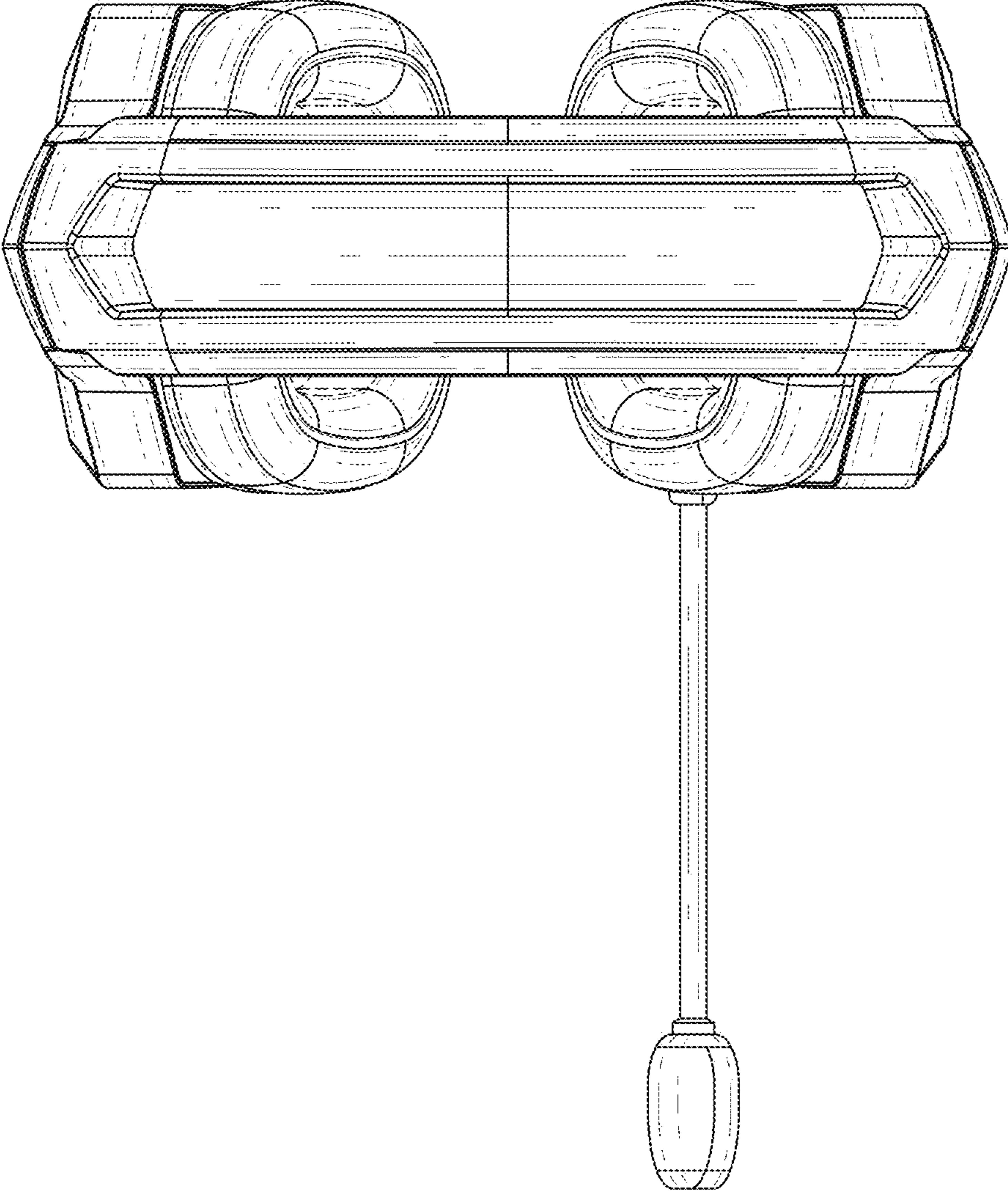


FIG. 7