



US00D880448S

(12) **United States Design Patent**  
**Jaques et al.**

(10) **Patent No.:** **US D880,448 S**

(45) **Date of Patent:** **\*\* Apr. 7, 2020**

(54) **HEADSET**

(71) Applicant: **GN Audio A/S**, Ballerup (DK)

(72) Inventors: **David Jaques**, Durham, NH (US);  
**Thomas Terrien**, Portsmouth, NH (US);  
**Kevin Batson**, Dover, NH (US);  
**Bill Blank**, Hampton, NH (US)

(73) Assignee: **GN AUDIO A/S**, Ballerup (DK)

(\*\*) Term: **15 Years**

(21) Appl. No.: **29/660,888**

(22) Filed: **Aug. 23, 2018**

(51) **LOC (12) Cl.** ..... **14-01**

(52) **U.S. Cl.**  
USPC ..... **D14/205**

(58) **Field of Classification Search**  
USPC ..... D14/206, 205, 188, 192; D29/112, 122;  
2/209; 181/129, 130, 135; 379/430, 431;  
381/380, 381, 377, 384, 383; 455/90.3,  
455/575.1, 569.1

CPC ..... H04R 25/00; H04R 25/02; H04R 1/1016;  
H04R 1/1066; H04R 5/033; H04R 5/0335  
See application file for complete search history.

(56) **References Cited**

**U.S. PATENT DOCUMENTS**

- 4,175,217 A \* 11/1979 Williams ..... H04M 1/23  
379/430
- D299,337 S \* 1/1989 Wiegel ..... D14/206
- 4,882,745 A \* 11/1989 Silver ..... H04M 1/05  
455/575.2
- D305,759 S \* 1/1990 Balbuena ..... D14/144
- 4,930,148 A \* 5/1990 Lee ..... H01Q 1/273  
379/430
- 5,003,589 A \* 3/1991 Chen ..... H04M 1/05  
379/430
- 5,113,428 A \* 5/1992 Fitzgerald ..... H04B 1/385  
379/430
- D327,888 S \* 7/1992 Fitzgerald ..... D14/138 R

- D333,305 S \* 2/1993 West ..... D14/138 R
  - D337,116 S \* 7/1993 Hattori ..... D14/206
  - D342,947 S \* 1/1994 Totsuka ..... D14/192
  - D344,730 S \* 3/1994 Gattey ..... D14/206
  - D346,380 S \* 4/1994 Fitzgerald ..... D14/138 R
  - D352,036 S \* 11/1994 Sekita ..... D14/192
  - D364,617 S \* 11/1995 Fitzgerald ..... D14/142
  - D369,167 S \* 4/1996 Hanson ..... D14/192
  - 5,721,775 A \* 2/1998 Leifer ..... H04M 1/05  
379/430
  - D394,058 S \* 5/1998 Fitzgerald ..... D14/142
- (Continued)

**FOREIGN PATENT DOCUMENTS**

KR 300677721.0000 \* 1/2013

*Primary Examiner* — Paula Allen Greene

(74) *Attorney, Agent, or Firm* — Hamre, Schumann,  
Mueller & Larson, P.C.

(57) **CLAIM**

The ornamental design for a headset, as shown and described.

**DESCRIPTION**

FIG. 1 is a top front isometric view of a headset showing our new design;

FIG. 2 is a bottom rear isometric view of FIG. 1 thereof;

FIG. 3 is a front view of FIG. 1 thereof;

FIG. 4 is a rear view of FIG. 1 thereof;

FIG. 5 is a left side view of FIG. 1 thereof;

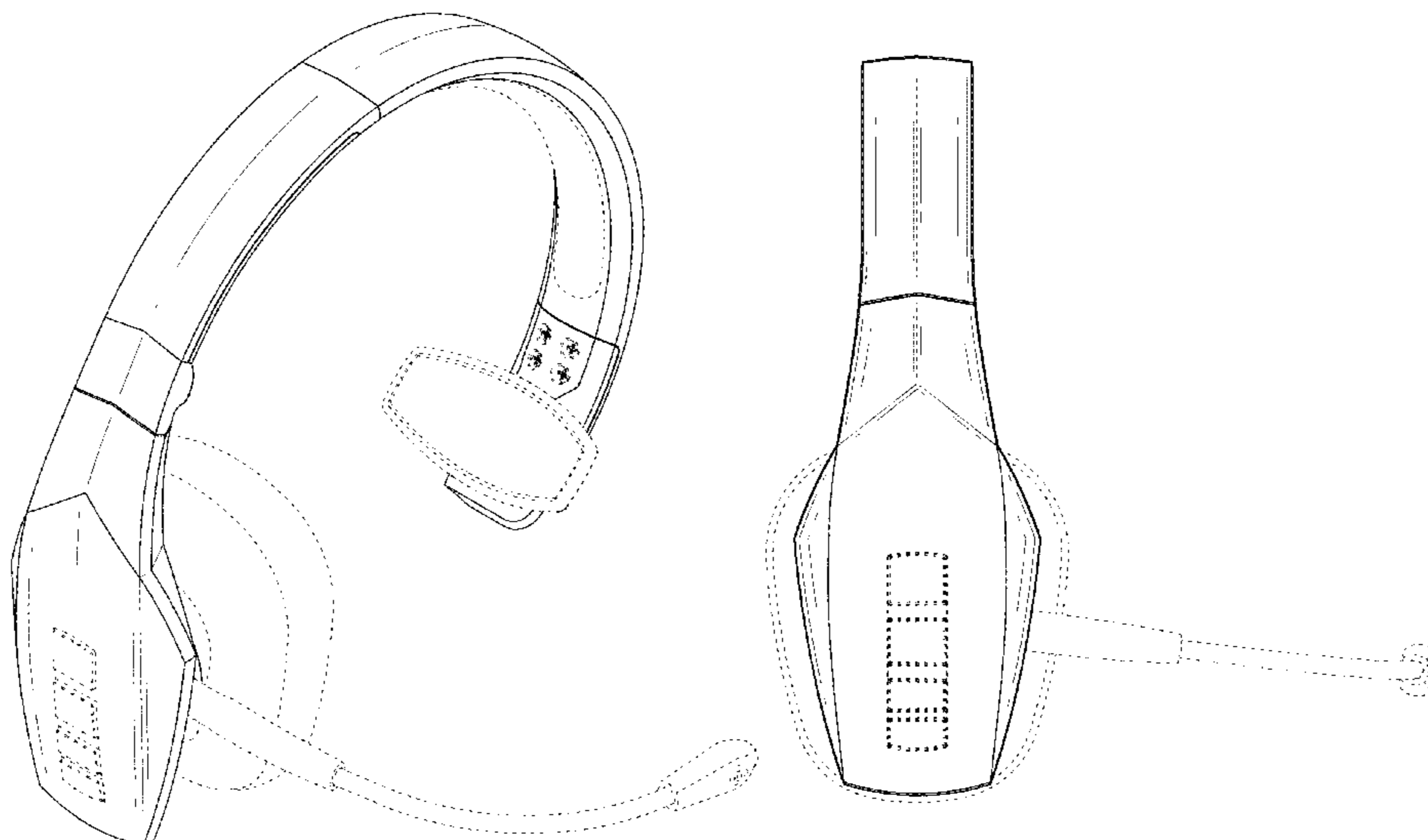
FIG. 6 is a right side view of FIG. 1 thereof;

FIG. 7 is a top view of FIG. 1 thereof; and,

FIG. 8 is a bottom view of FIG. 1 thereof.

The broken lines immediately adjacent the surface shading represents the bounds of the claimed design while all other broken lines are directed to environment and are for illustrative purposes only; the broken lines form no part of the claimed design.

**1 Claim, 8 Drawing Sheets**



(56)

References Cited

U.S. PATENT DOCUMENTS

D394,436 S \* 5/1998 Hall ..... D14/206  
 D402,575 S \* 12/1998 Jones ..... D10/106.1  
 D405,786 S \* 2/1999 Leifer ..... D14/142  
 6,055,312 A \* 4/2000 Pralus ..... H04M 1/05  
 379/430  
 D429,229 S \* 8/2000 Fitzgerald ..... D14/142  
 6,154,539 A \* 11/2000 Pitel ..... H04M 1/05  
 379/430  
 D441,734 S \* 5/2001 Fitzgerald ..... D14/142  
 D449,290 S \* 10/2001 Taylor ..... D14/206  
 D456,379 S \* 4/2002 Fitzgerald ..... D14/142  
 D491,917 S \* 6/2004 Asai ..... D14/205  
 6,754,361 B1 \* 6/2004 Hall ..... H04R 1/1025  
 379/430  
 D497,357 S \* 10/2004 Allum ..... D14/206  
 D502,908 S \* 3/2005 Mahachanh ..... D12/209  
 D504,419 S \* 4/2005 Bey ..... D14/223  
 D504,887 S \* 5/2005 Skulley ..... D14/223  
 D505,413 S \* 5/2005 Skulley ..... D14/223  
 6,952,481 B2 \* 10/2005 Larsen ..... H04M 1/05  
 379/430  
 6,965,681 B2 \* 11/2005 Almqvist ..... H04R 1/1041  
 381/371  
 D517,528 S \* 3/2006 Skulley ..... D14/206  
 D518,479 S \* 4/2006 Skulley ..... D14/225  
 7,031,475 B2 \* 4/2006 Kuraoka ..... H04M 1/0289  
 379/428.02  
 D519,990 S \* 5/2006 Lazor ..... D14/229  
 D529,900 S \* 10/2006 Skulley ..... D14/223  
 D535,980 S \* 1/2007 Bentley ..... D14/225  
 D537,815 S \* 3/2007 Bentley ..... D14/206

D539,788 S \* 4/2007 Thompson ..... D14/225  
 D539,789 S \* 4/2007 Rausch ..... D14/225  
 D540,303 S \* 4/2007 Rausch ..... D14/205  
 D540,313 S \* 4/2007 Rausch ..... D14/225  
 D540,778 S \* 4/2007 Thompson ..... D14/206  
 7,391,863 B2 \* 6/2008 Viduya ..... H04M 1/05  
 379/430  
 D587,684 S \* 3/2009 Ham ..... D14/205  
 7,519,196 B2 \* 4/2009 Bech ..... H04R 1/105  
 381/371  
 D602,002 S \* 10/2009 Asai ..... D14/206  
 D617,781 S \* 6/2010 Kallas ..... D14/226  
 D638,000 S \* 5/2011 Hoggarth ..... D14/206  
 D638,397 S \* 5/2011 McManigal ..... D14/205  
 D654,471 S \* 2/2012 Fischer ..... D14/206  
 D667,814 S \* 9/2012 Abell ..... D14/206  
 D691,110 S \* 10/2013 Ham ..... D14/205  
 D712,875 S \* 9/2014 Katori ..... D14/206  
 D747,557 S \* 1/2016 Bonney ..... D29/112  
 9,398,361 B1 \* 7/2016 Jaques ..... H04R 1/1041  
 D786,826 S \* 5/2017 Esses ..... D14/206  
 9,729,958 B2 \* 8/2017 Jaques ..... H04R 1/1041  
 D824,362 S \* 7/2018 Probst ..... D14/206  
 D847,781 S \* 5/2019 Chen ..... D14/206  
 D851,628 S \* 6/2019 Wernblad ..... D14/206  
 D851,629 S \* 6/2019 Summerson ..... D14/206  
 2002/0003889 A1 \* 1/2002 Fischer ..... H04R 1/1041  
 381/370  
 2005/0201569 A1 \* 9/2005 Kuraoka ..... H04M 1/0289  
 381/74  
 2012/0163616 A1 \* 6/2012 Birch ..... H04M 1/6058  
 381/74  
 2013/0329905 A1 \* 12/2013 Awiszus ..... H04R 1/1058  
 381/74

\* cited by examiner

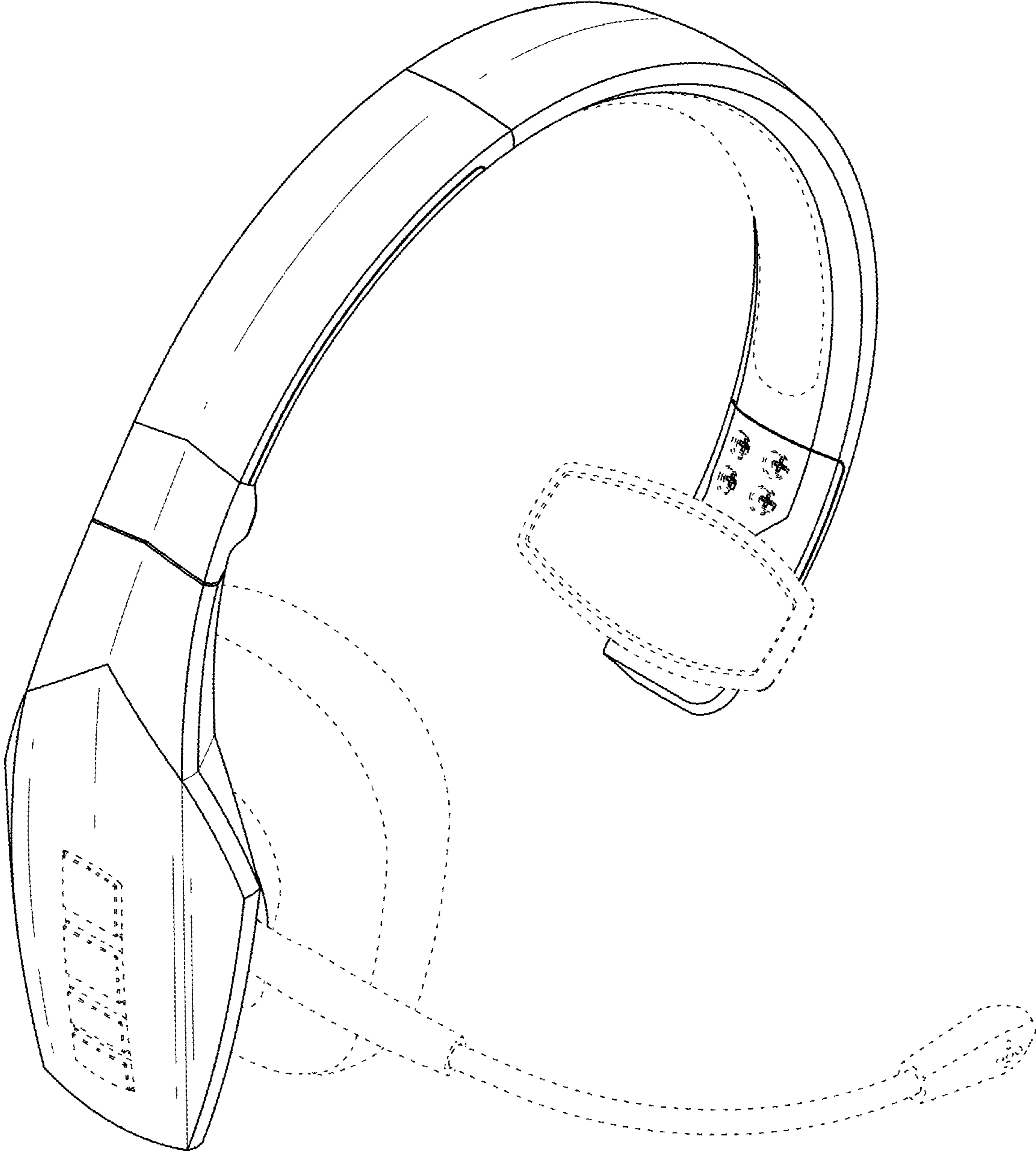


FIG. 1

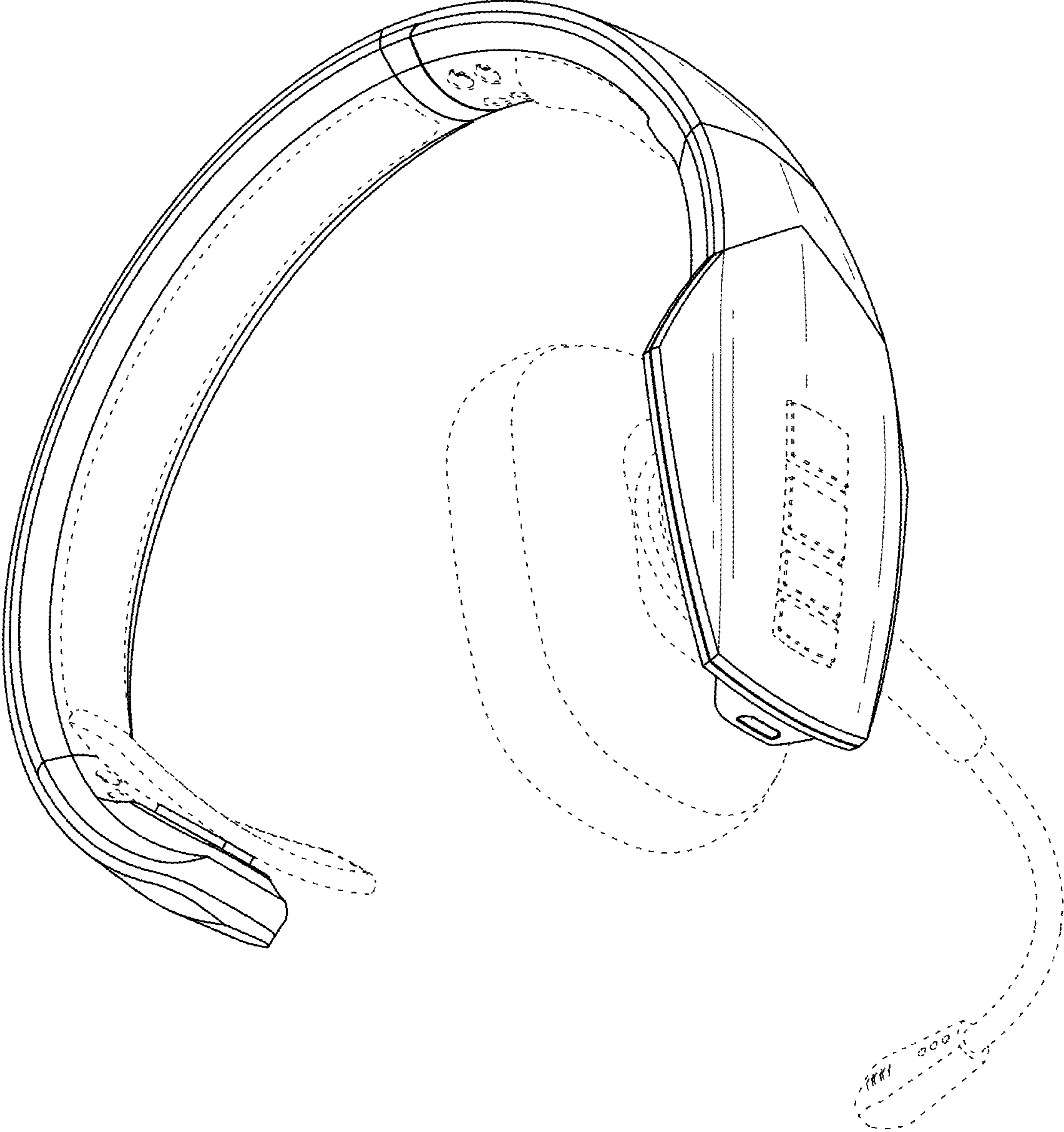


FIG. 2

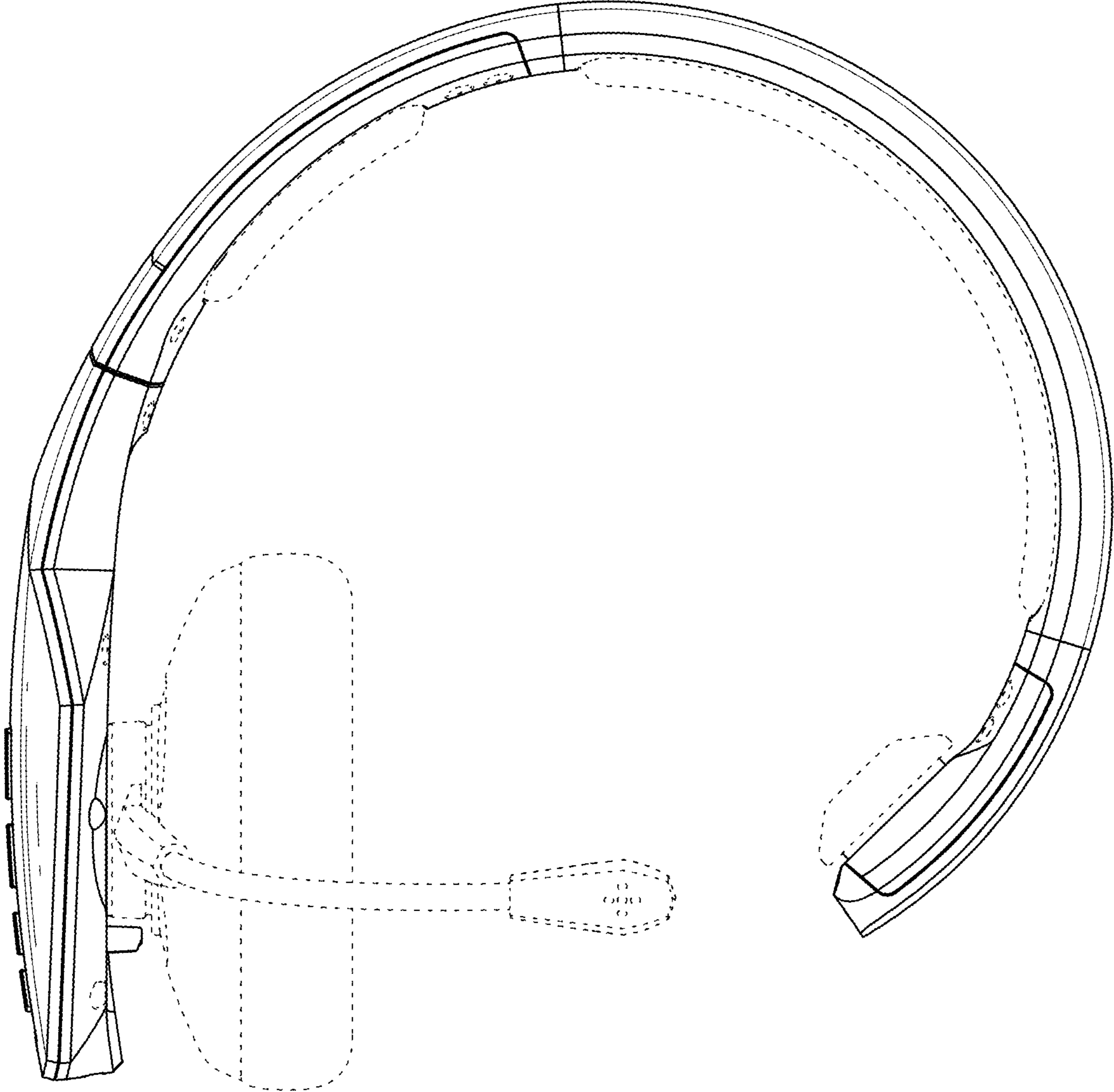


FIG. 3

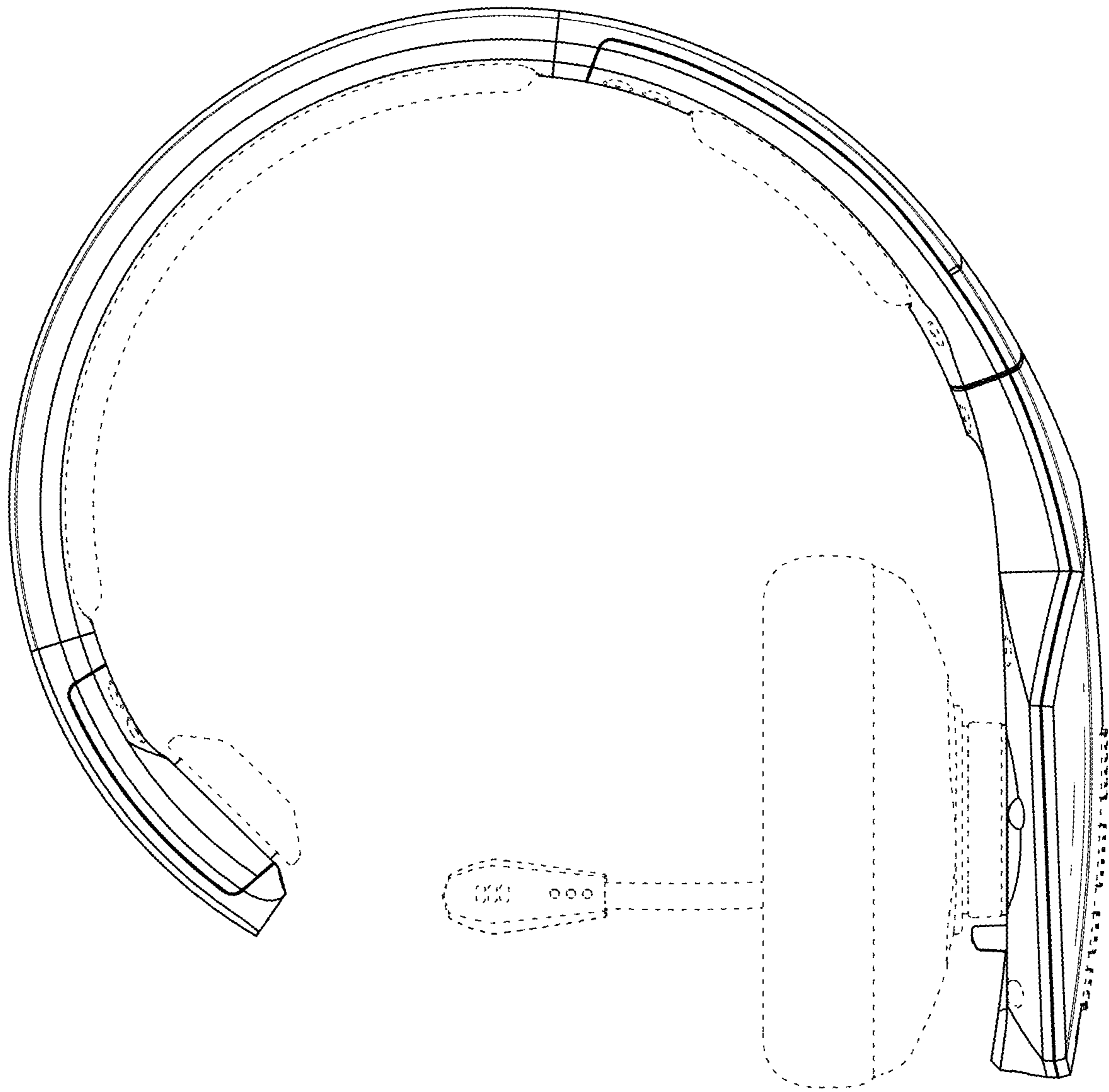


FIG. 4

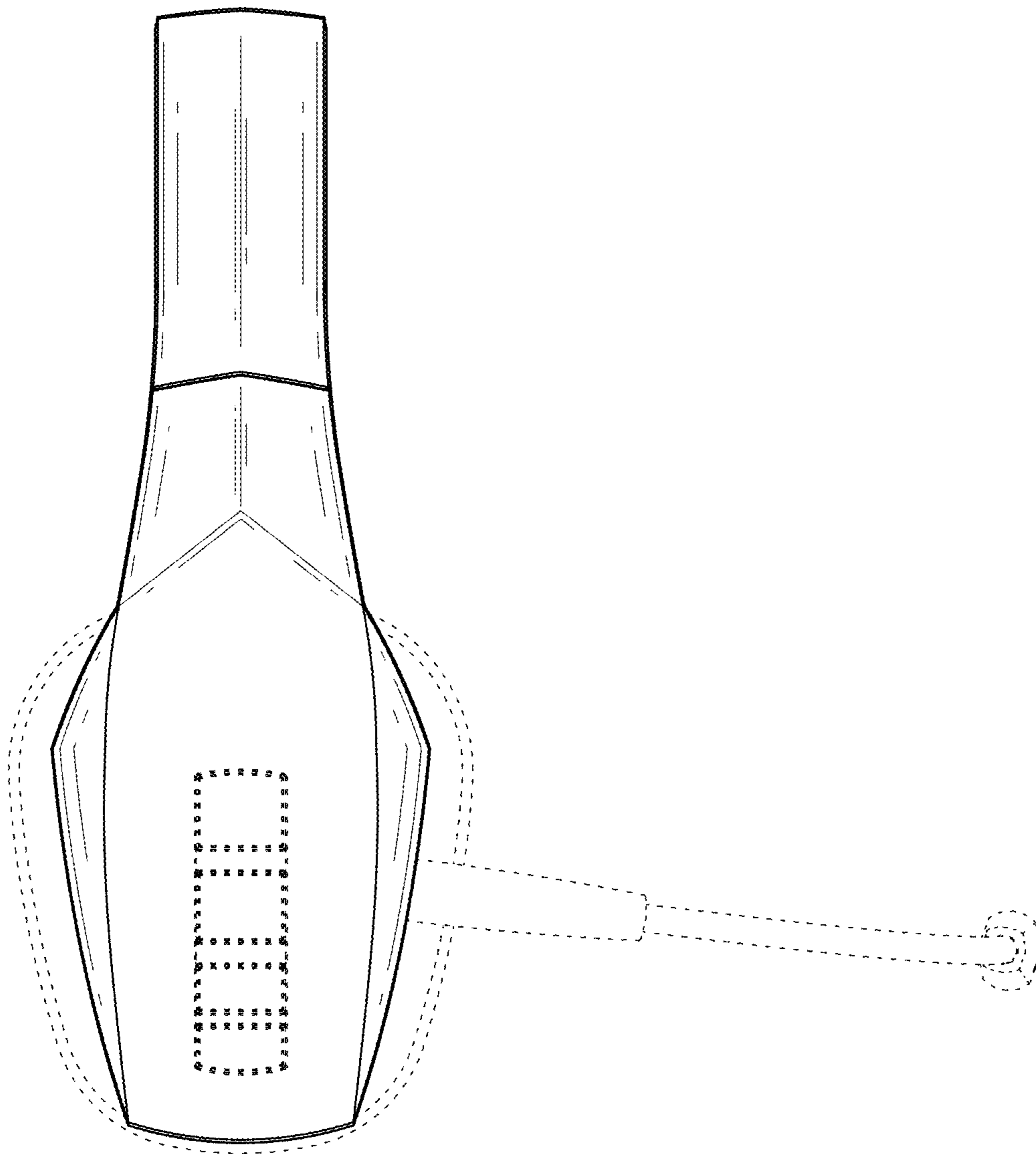


FIG. 5

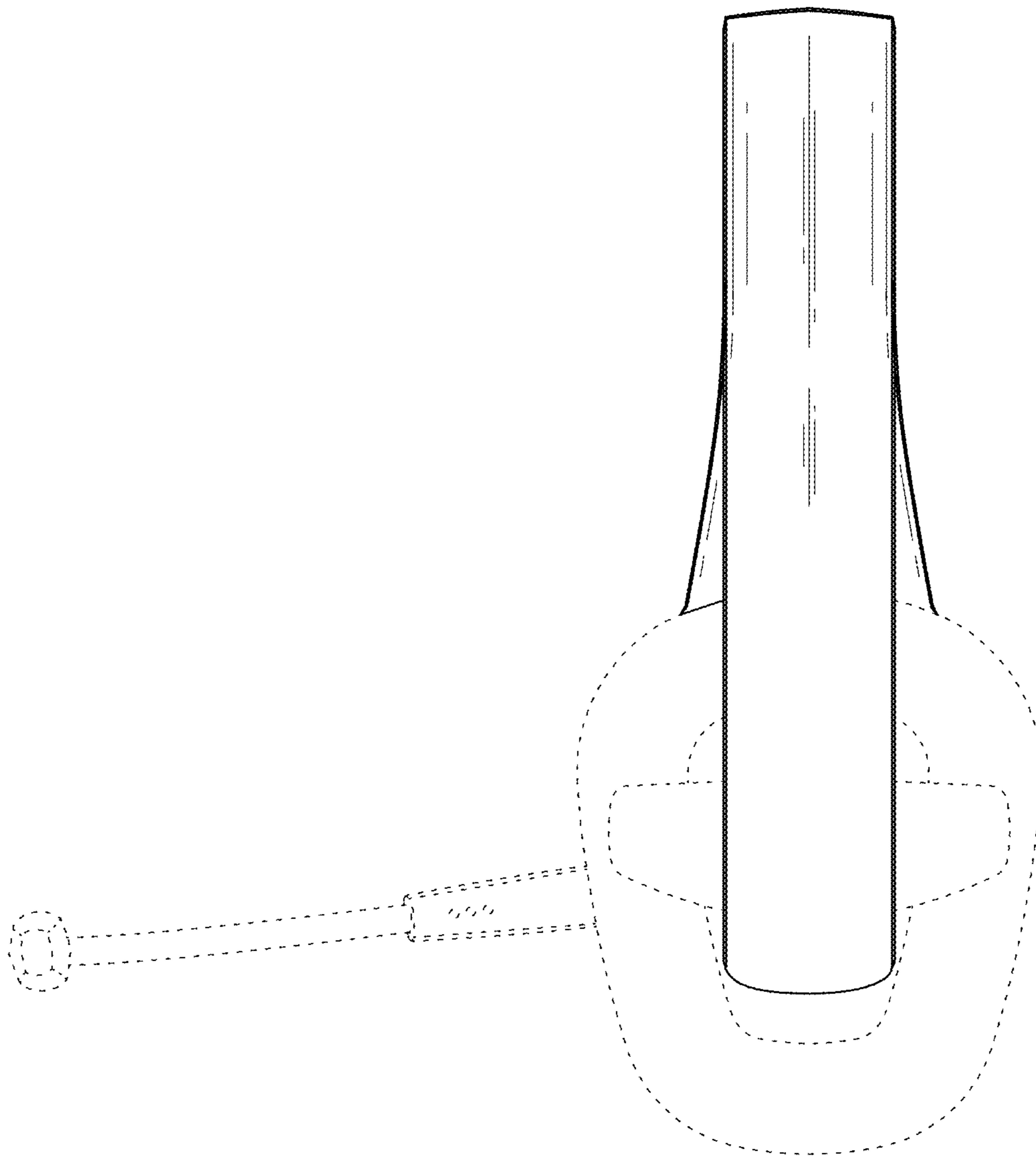


FIG. 6



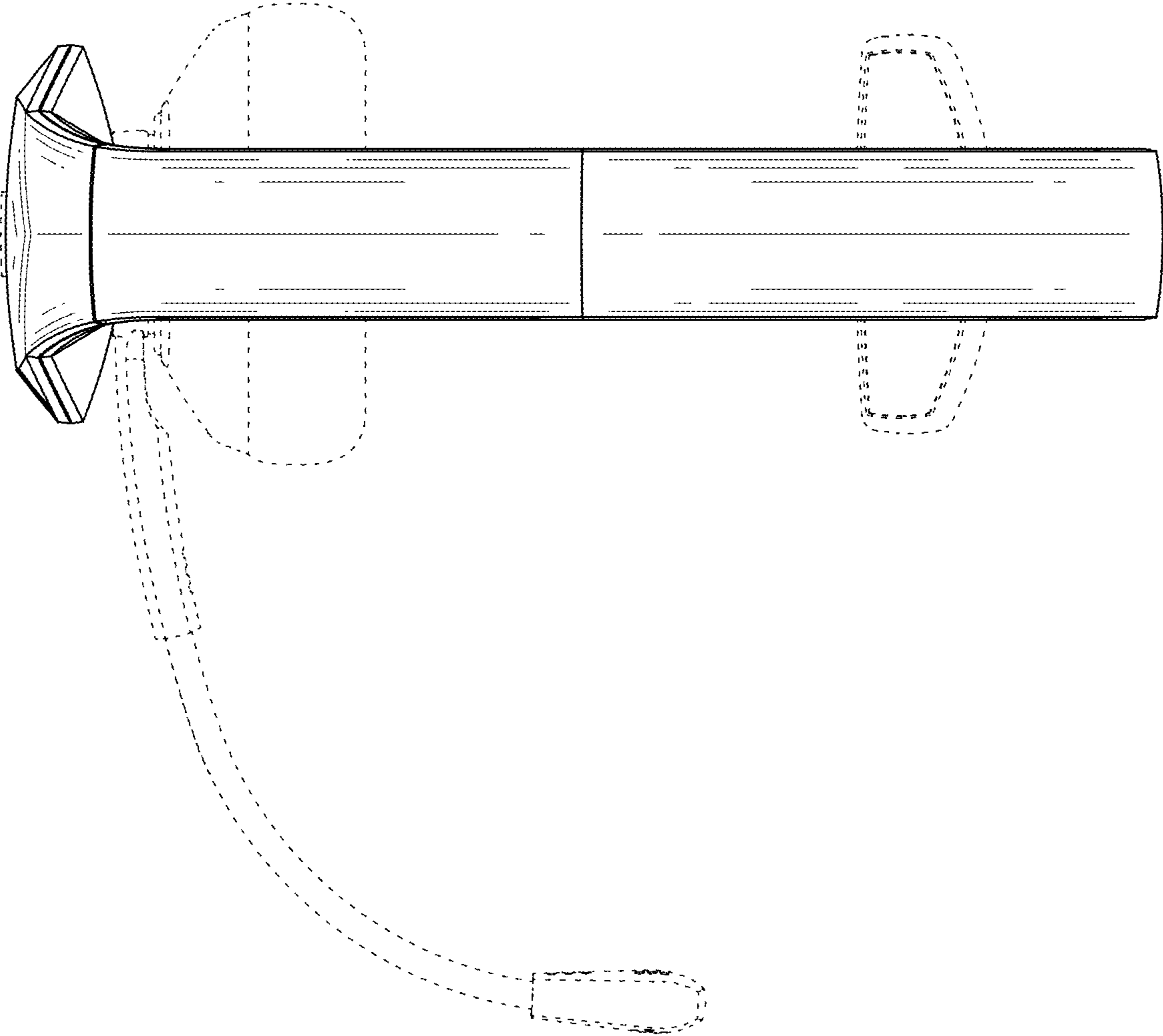


FIG. 7

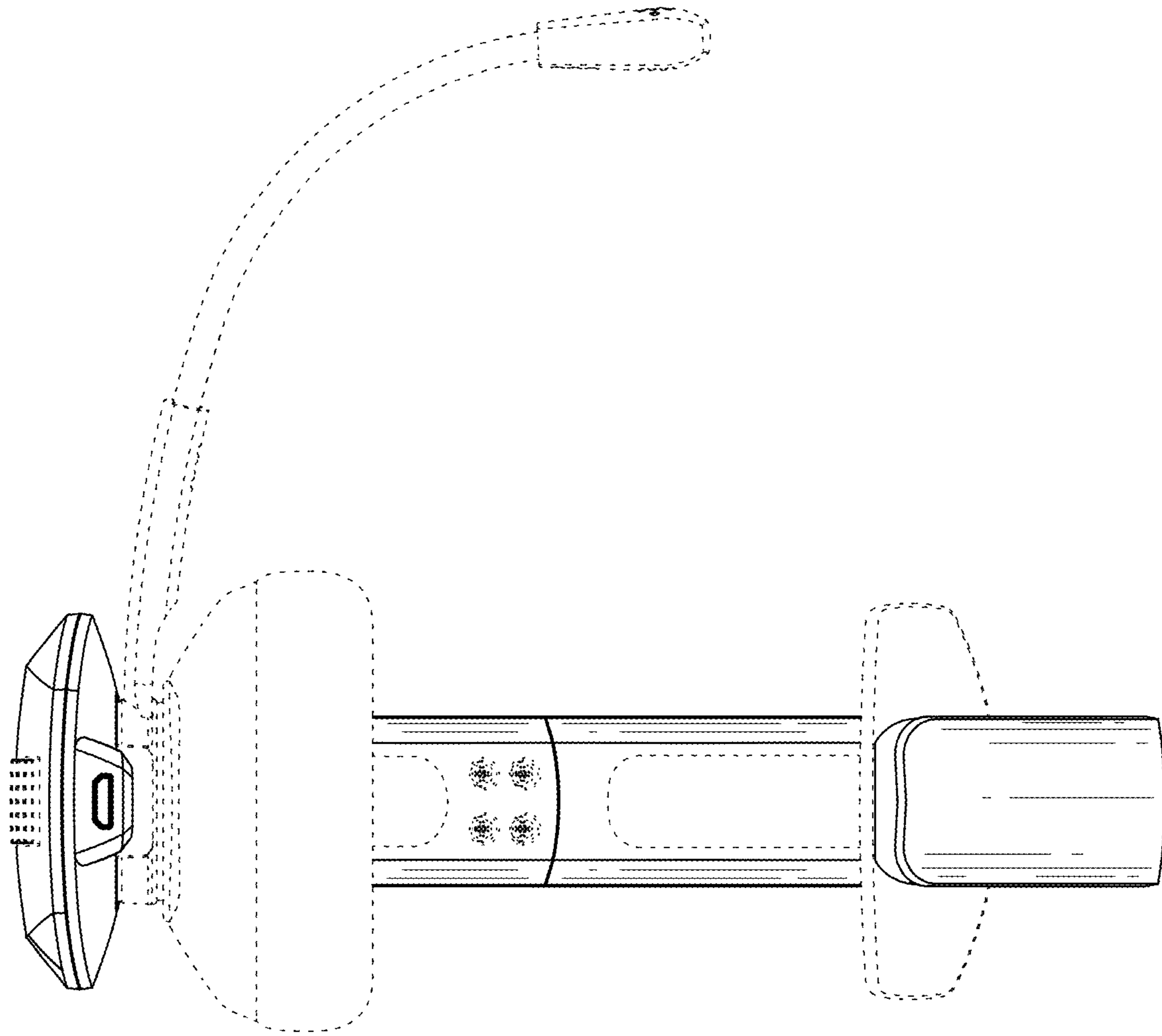


FIG. 8