



US00D880447S

(12) **United States Design Patent**  
**Chen**

(10) **Patent No.:** **US D880,447 S**

(45) **Date of Patent:** **\*\* Apr. 7, 2020**

(54) **SPEAKER**

(71) Applicant: **Shenzhen Zhishang Innovation Technology Co., Ltd**

(72) Inventor: **Weihong Chen, Shenzhen (CN)**

(\*\*) Term: **15 Years**

(21) Appl. No.: **29/701,827**

(22) Filed: **Aug. 15, 2019**

(51) **LOC (12) Cl.** ..... **14-01**

(52) **U.S. Cl.**  
USPC ..... **D14/204**

(58) **Field of Classification Search**

USPC .... D14/167, 188, 204, 209.1, 210–215, 348,  
D14/352, 498–505; 181/143, 144, 148,  
181/153, 157, 198, 199; 369/6–12;  
381/300–303, 361–364, 366, 386–388  
CPC ..... H04R 1/02; H04R 1/021; H04R 1/023;  
H04R 5/00; H04R 9/06; H04R 2420/07  
See application file for complete search history.

(56) **References Cited**

**U.S. PATENT DOCUMENTS**

D557,256 S \* 12/2007 Joseph ..... D14/214  
D572,232 S \* 7/2008 Joseph ..... D14/188  
D581,399 S \* 11/2008 Andre ..... D14/214  
D596,196 S \* 7/2009 Laituri ..... D14/168

D708,228 S \* 7/2014 Fustino ..... D14/203.1  
D741,839 S \* 10/2015 Osborn ..... D14/214  
D781,264 S \* 3/2017 Kim ..... D14/204  
D790,539 S \* 6/2017 Lee ..... D14/240  
D836,594 S 12/2018 Hu  
D838,254 S 1/2019 McManigal et al.

\* cited by examiner

*Primary Examiner* — Janice Patyk

(74) *Attorney, Agent, or Firm* — ZanIP

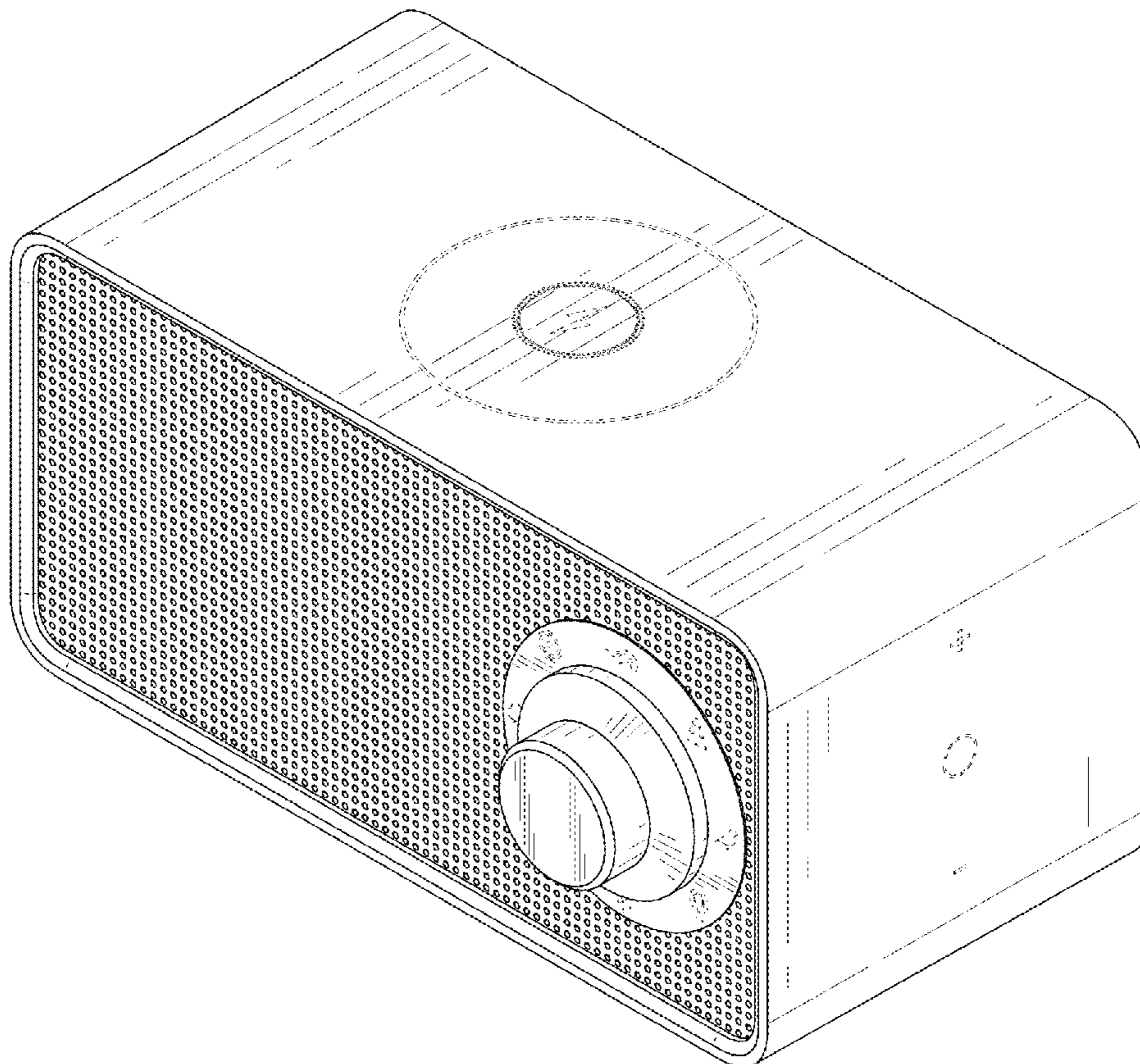
(57) **CLAIM**

The ornamental design for a speaker, as shown and described.

**DESCRIPTION**

FIG. 1 is a top, front perspective view of a speaker, showing my new design;  
FIG. 2 is a bottom, rear perspective view thereof;  
FIG. 3 is a front elevational view thereof;  
FIG. 4 is a rear elevational view thereof;  
FIG. 5 is a left side elevational view thereof;  
FIG. 6 is a right side elevational view thereof;  
FIG. 7 is a top plan view thereof; and,  
FIG. 8 is a bottom plan view thereof.  
The broken lines in the figures illustrate portions of the speaker that form no part of the claimed design.

**1 Claim, 8 Drawing Sheets**



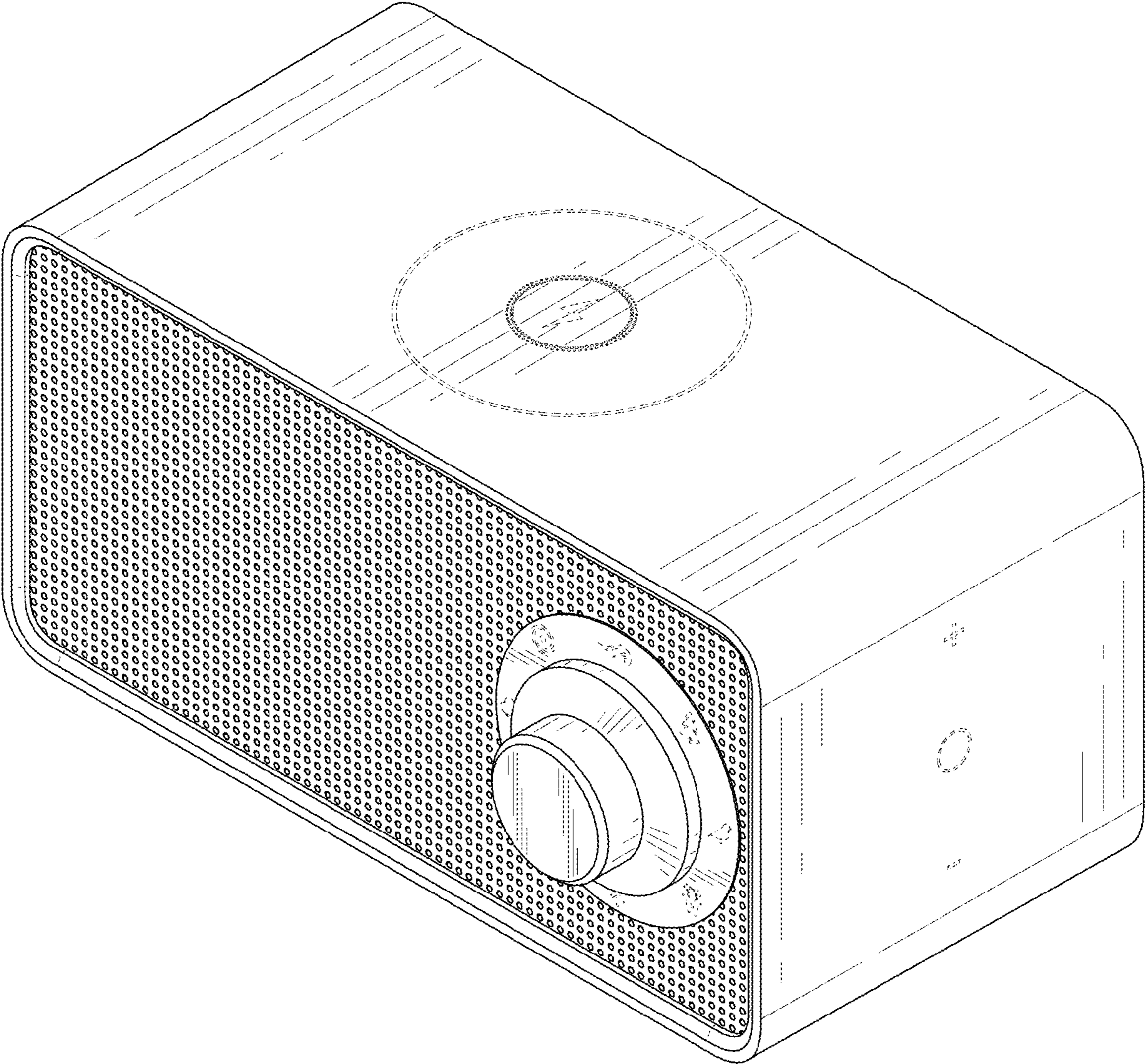


FIG. 1

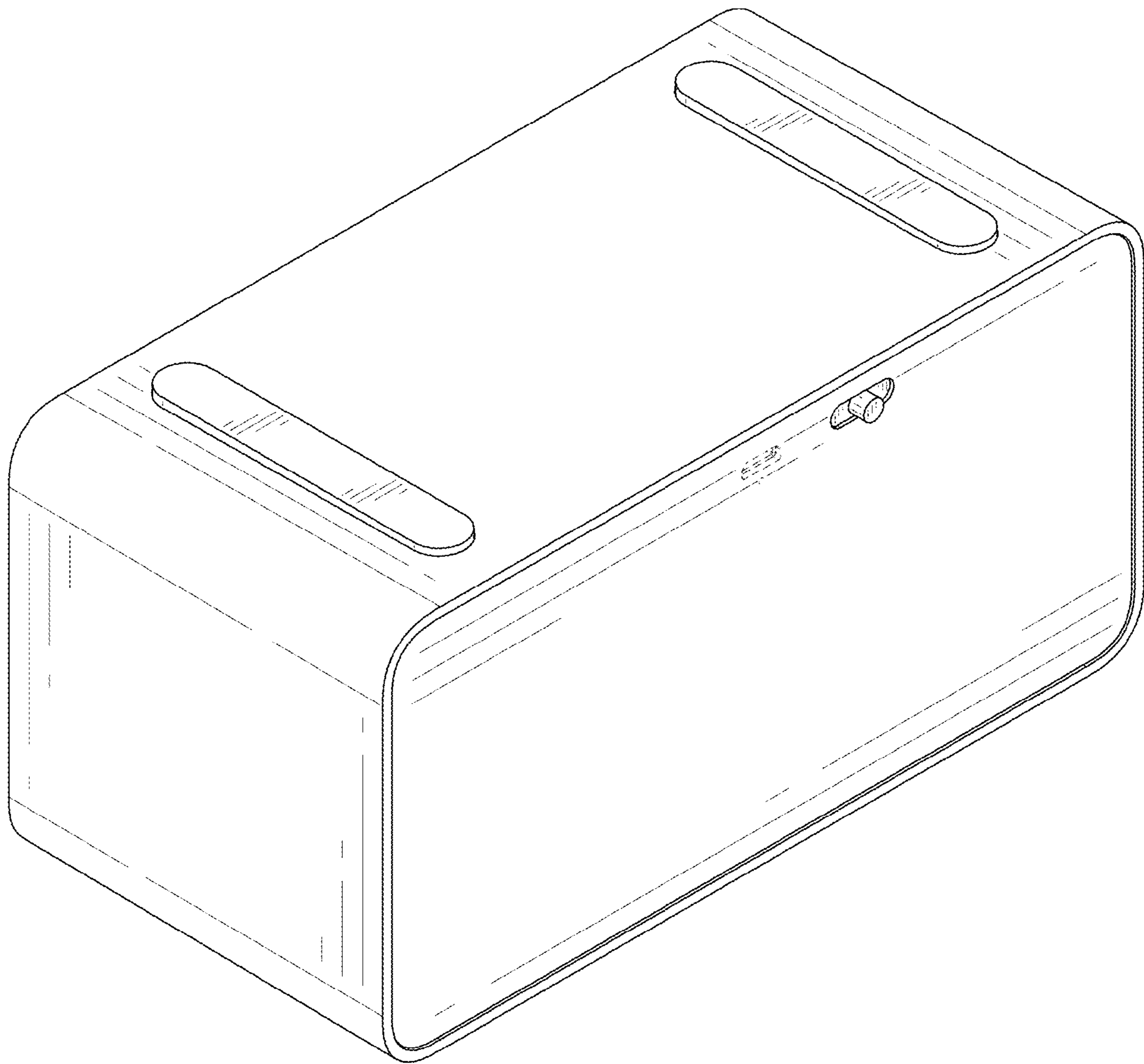


FIG. 2

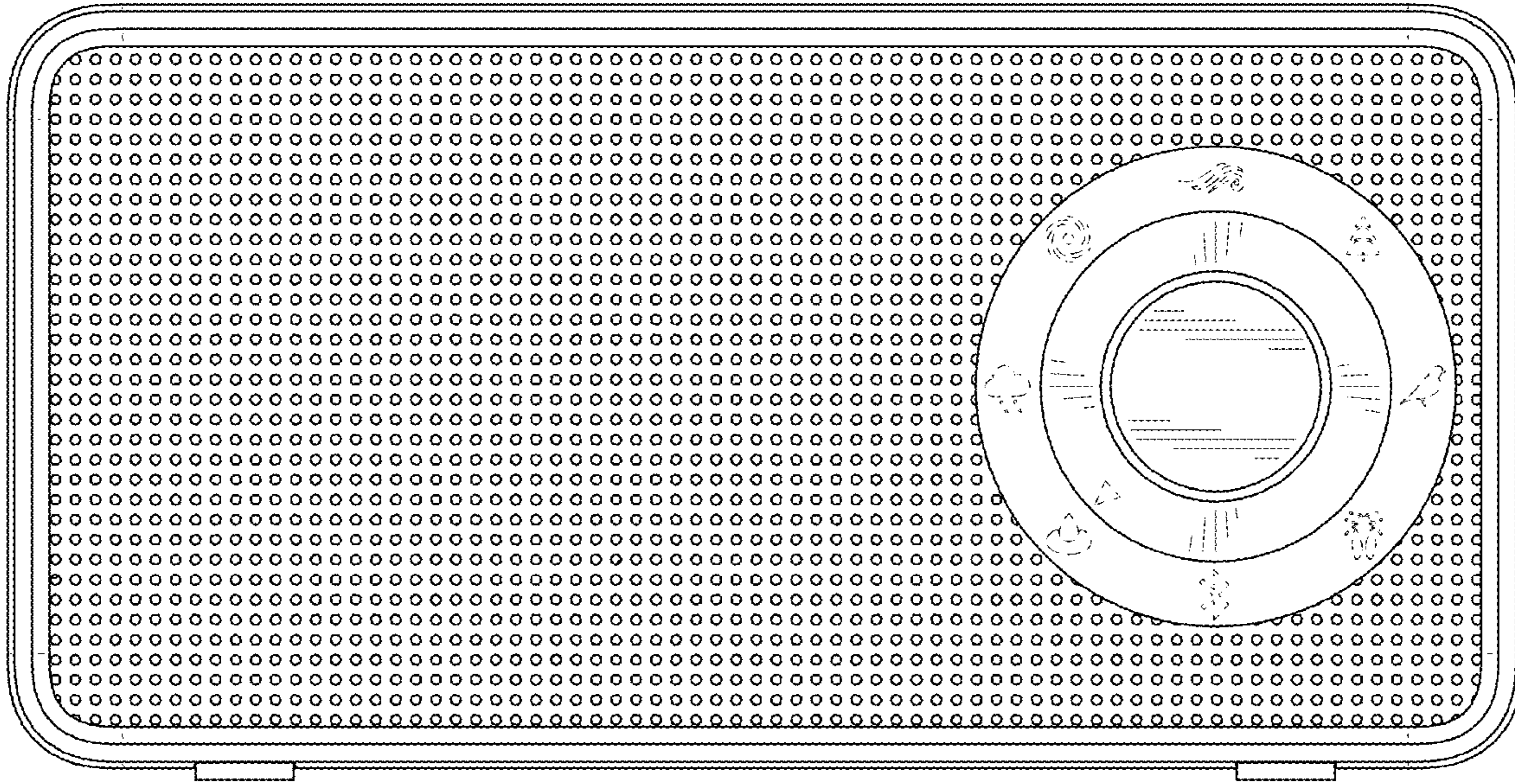


FIG. 3

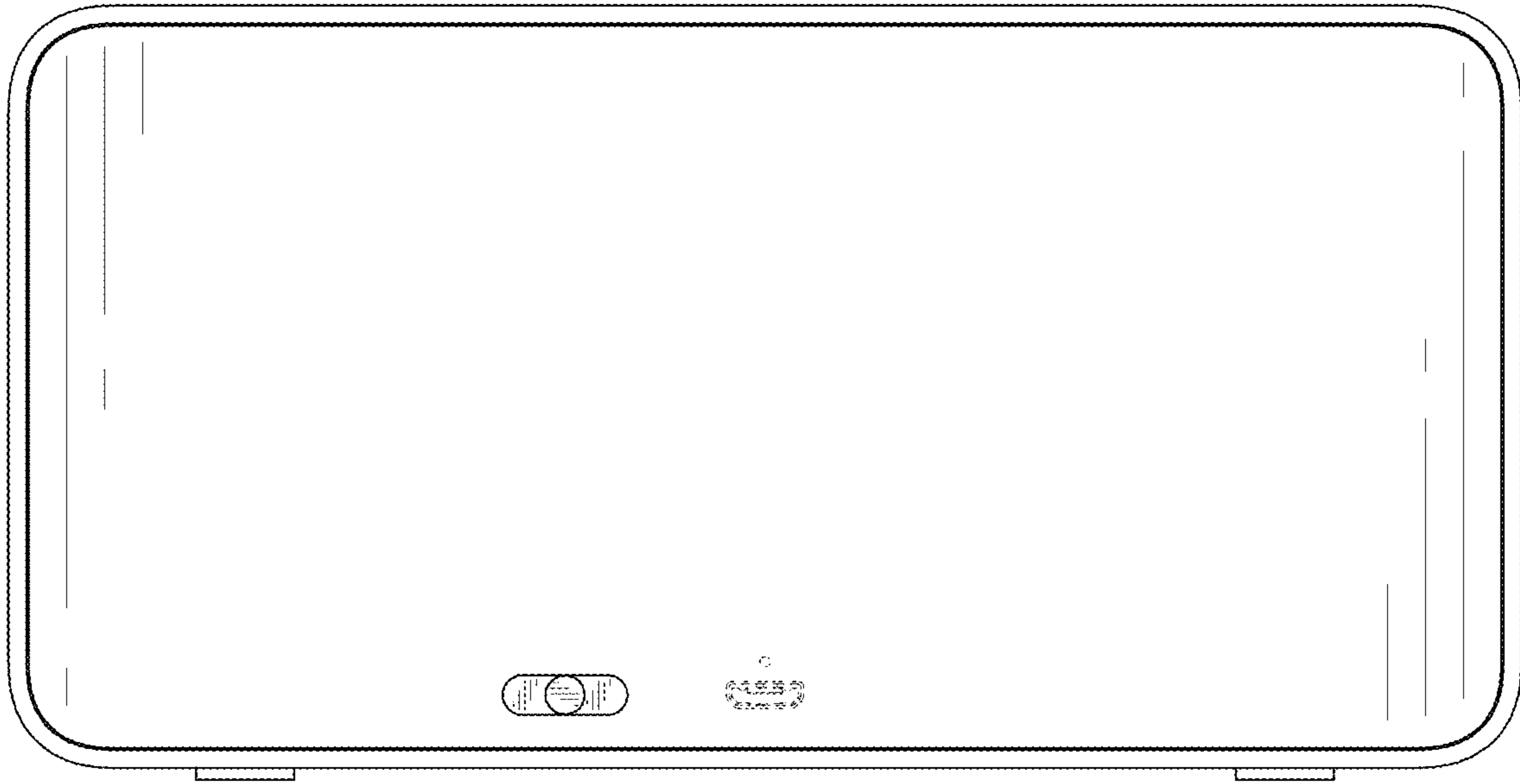


FIG. 4

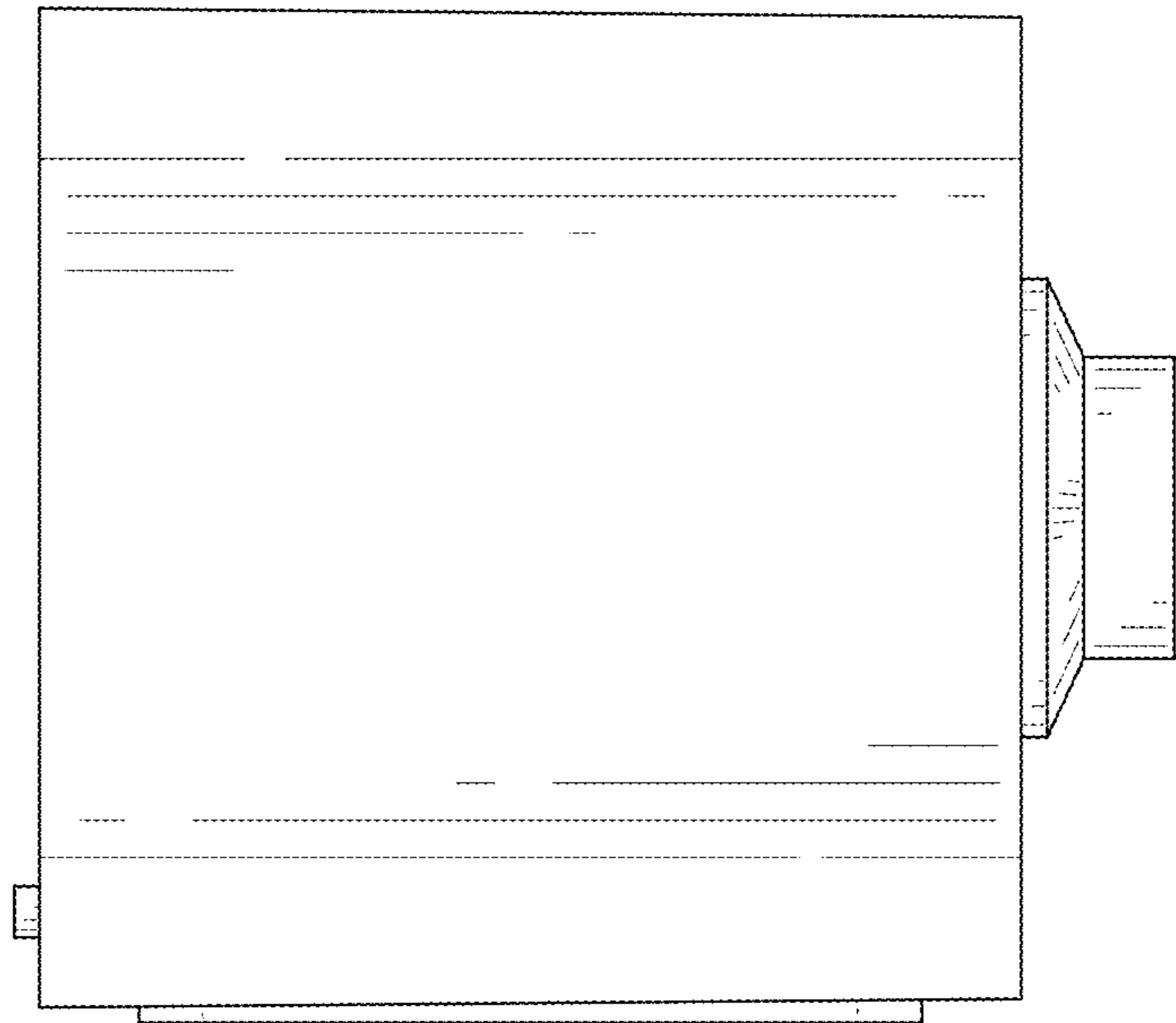


FIG. 5

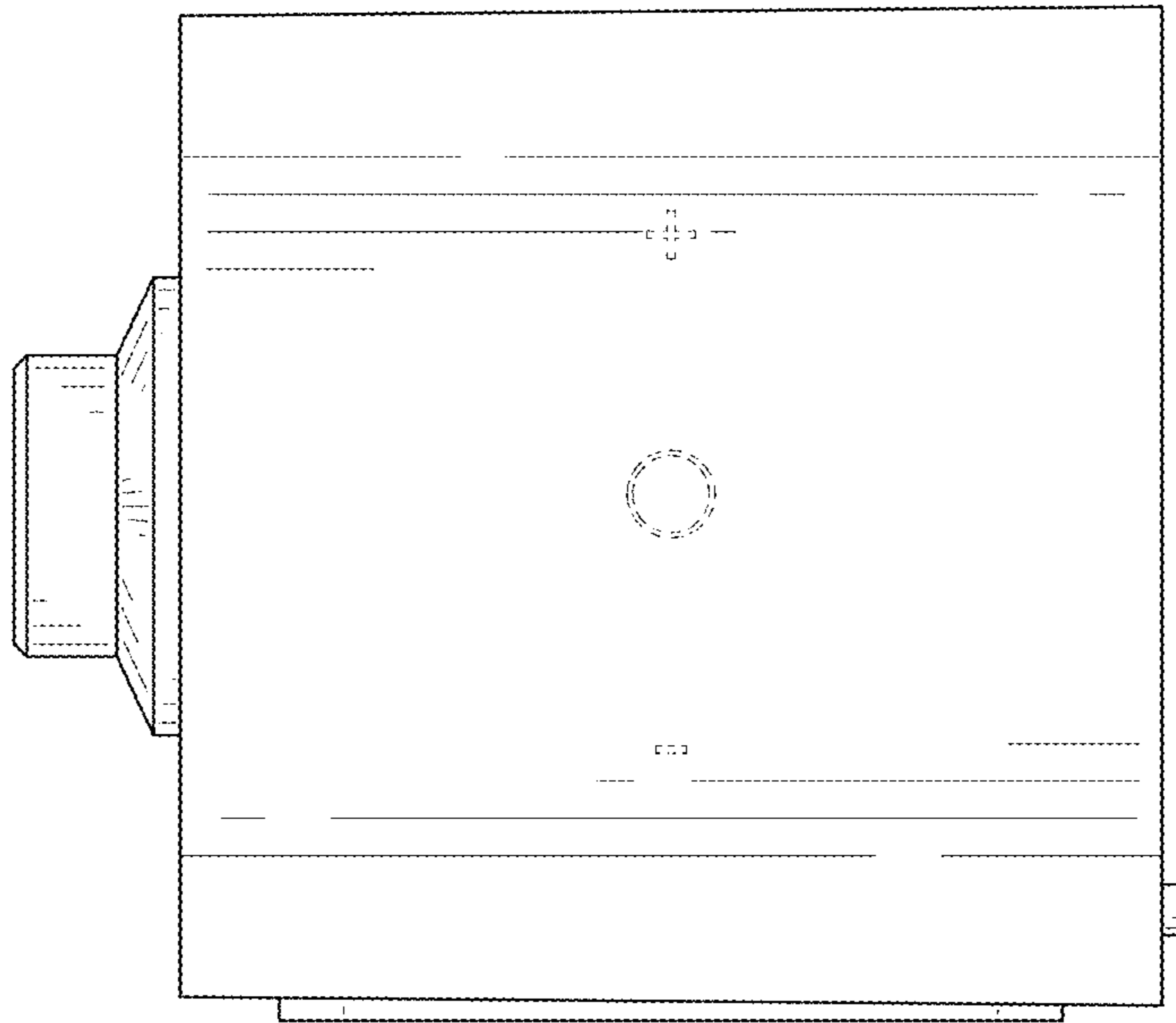


FIG. 6

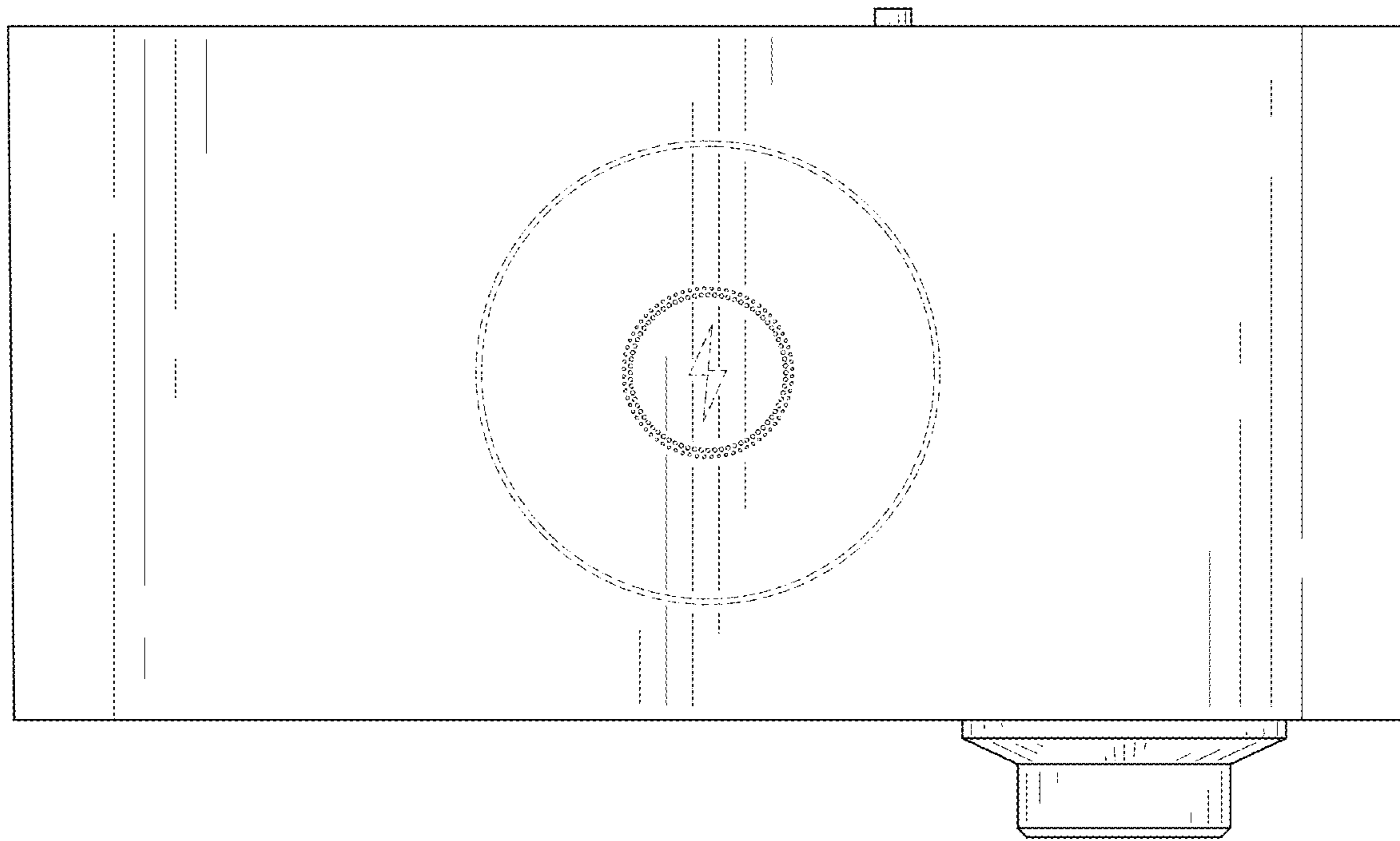


FIG. 7



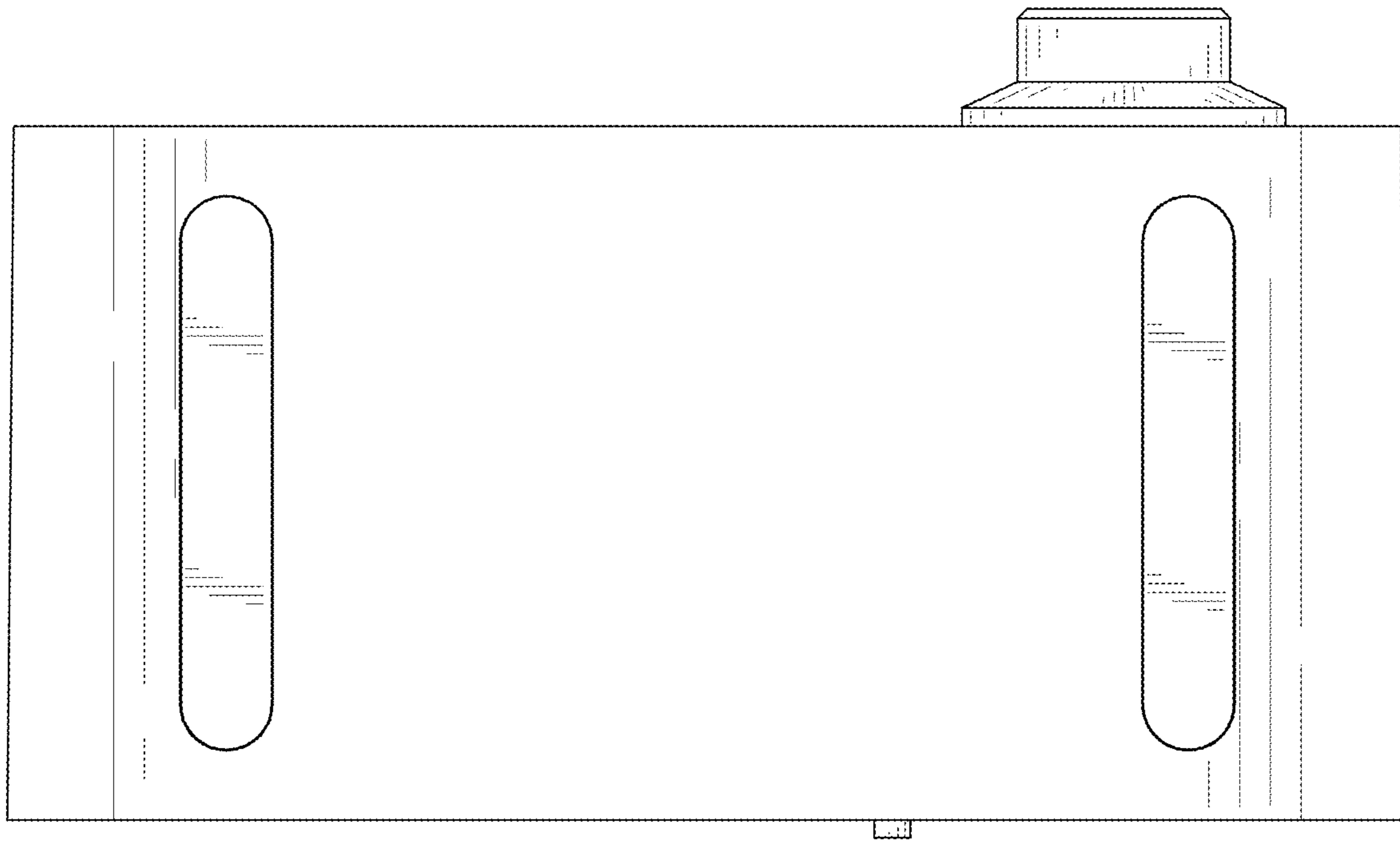


FIG. 8