



US00D880446S

(12) **United States Design Patent**
Deyaf

(10) **Patent No.:** **US D880,446 S**
(45) **Date of Patent:** **** Apr. 7, 2020**

- (54) **SPEAKER**
- (71) Applicant: **SpeedTech Lights, Inc.**, Buda, TX (US)
- (72) Inventor: **Malik Deyaf**, Buda, TX (US)
- (73) Assignee: **SpeedTech Lights, Inc.**, Buda, TX (US)
- (**) Term: **15 Years**
- (21) Appl. No.: **29/699,180**
- (22) Filed: **Jul. 23, 2019**
- (51) **LOC (12) Cl.** **14-01**
- (52) **U.S. Cl.**
USPC **D14/204**
- (58) **Field of Classification Search**
USPC D14/167, 188, 204, 209.1, 210–215, 348,
D14/352, 498–505; 181/143, 144, 148,
181/153, 157, 198, 199; 369/6–12;
381/300–303, 361–364, 366, 386–388
CPC H04R 1/02; H04R 1/021; H04R 1/023;
H04R 5/00; H04R 9/06; H04R 2420/07
See application file for complete search history.

D271,968 S *	12/1983	Segan	D14/187
D303,970 S *	10/1989	Collins	D14/216
D334,935 S	4/1993	Goto	
D397,635 S	9/1998	Chu	
D518,023 S	3/2006	Miller	
D601,739 S *	10/2009	Chan	D26/74
D639,688 S	6/2011	Neufeglise	
D656,486 S *	3/2012	Parraga Gimeno	D14/216
8,265,320 B2	9/2012	Datz et al.	
D694,218 S *	11/2013	Szymanski	D14/216
D695,713 S *	12/2013	Szymanski	D14/216
D748,600 S	2/2016	Deyaf	
D852,774 S	7/2019	Yoshihisa	

* cited by examiner

Primary Examiner — Janice Patyk

(57) **CLAIM**

The ornamental design for a speaker, as shown and described.

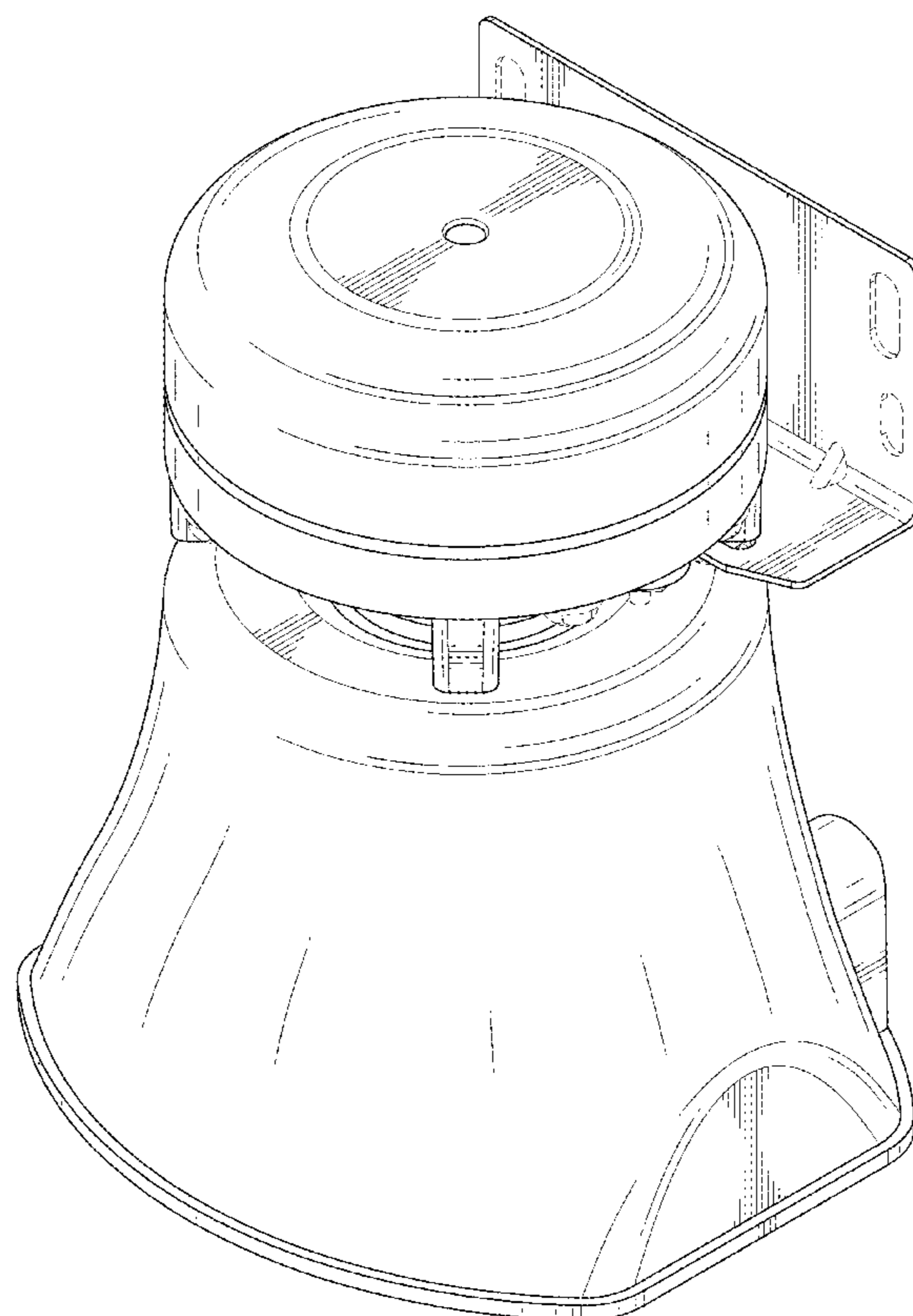
DESCRIPTION

FIG. 1 is a front perspective view of a speaker showing my new design;
 FIG. 2 is a front view thereof;
 FIG. 3 is a back view thereof;
 FIG. 4 is a right side view thereof;
 FIG. 5 is a left side view thereof;
 FIG. 6 is a top view thereof; and,
 FIG. 7 is a bottom view thereof.
 The broken lines included illustrate portions of the speaker that form no part of the claimed design.

(56) **References Cited**
 U.S. PATENT DOCUMENTS

D247,562 S *	3/1978	Walker	D14/209
D263,823 S	4/1982	Chapman	

1 Claim, 7 Drawing Sheets



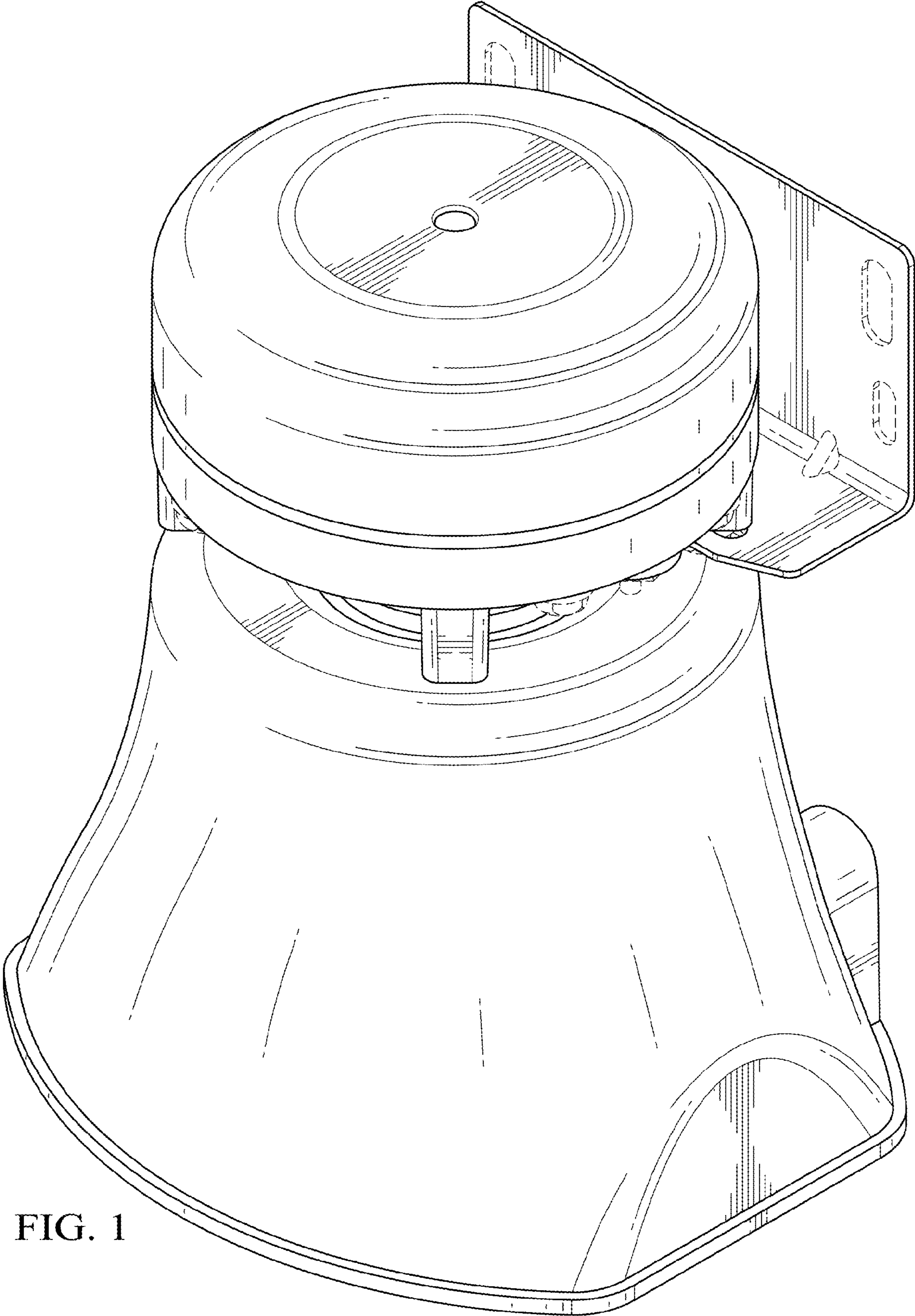


FIG. 1

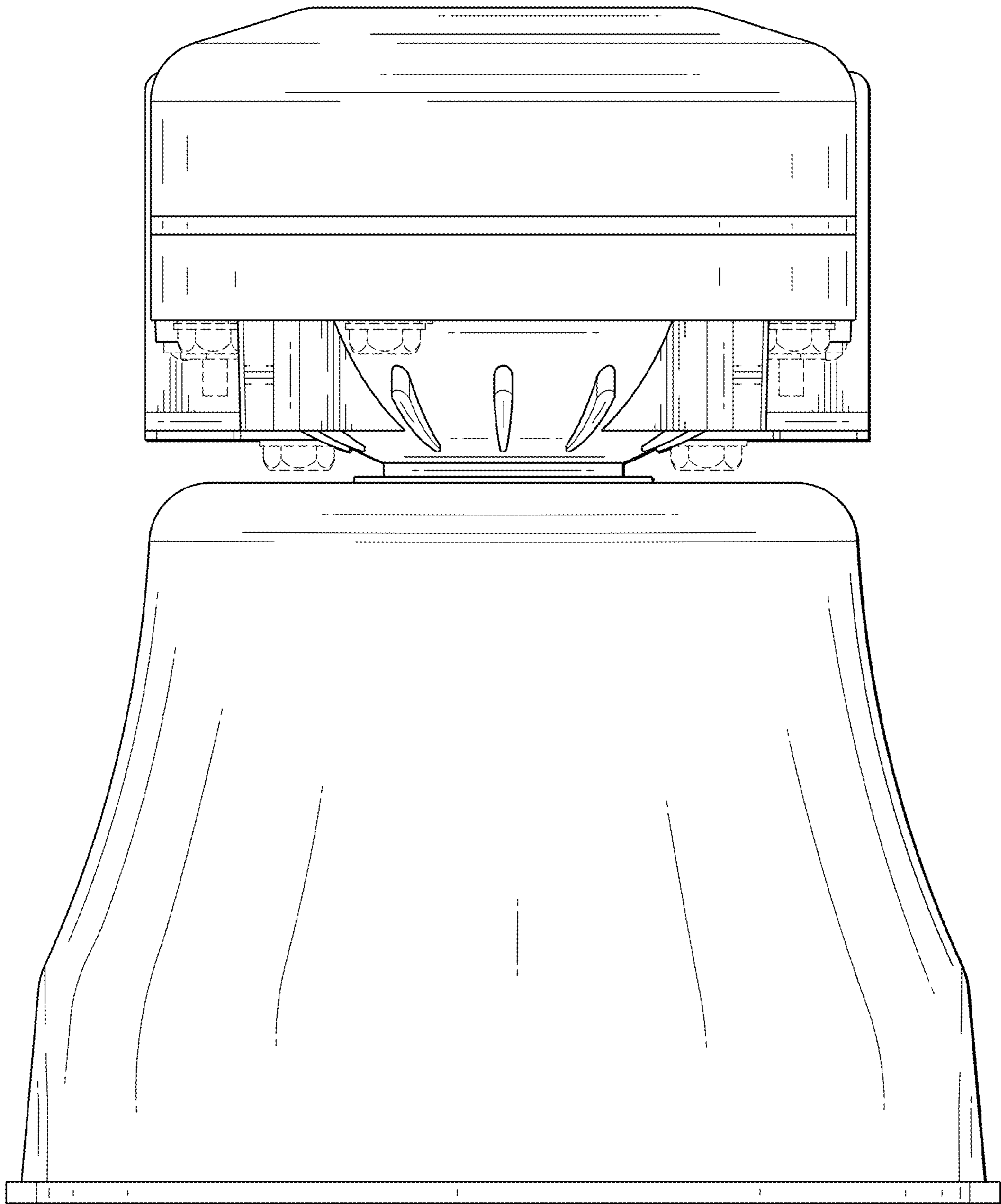


FIG. 2

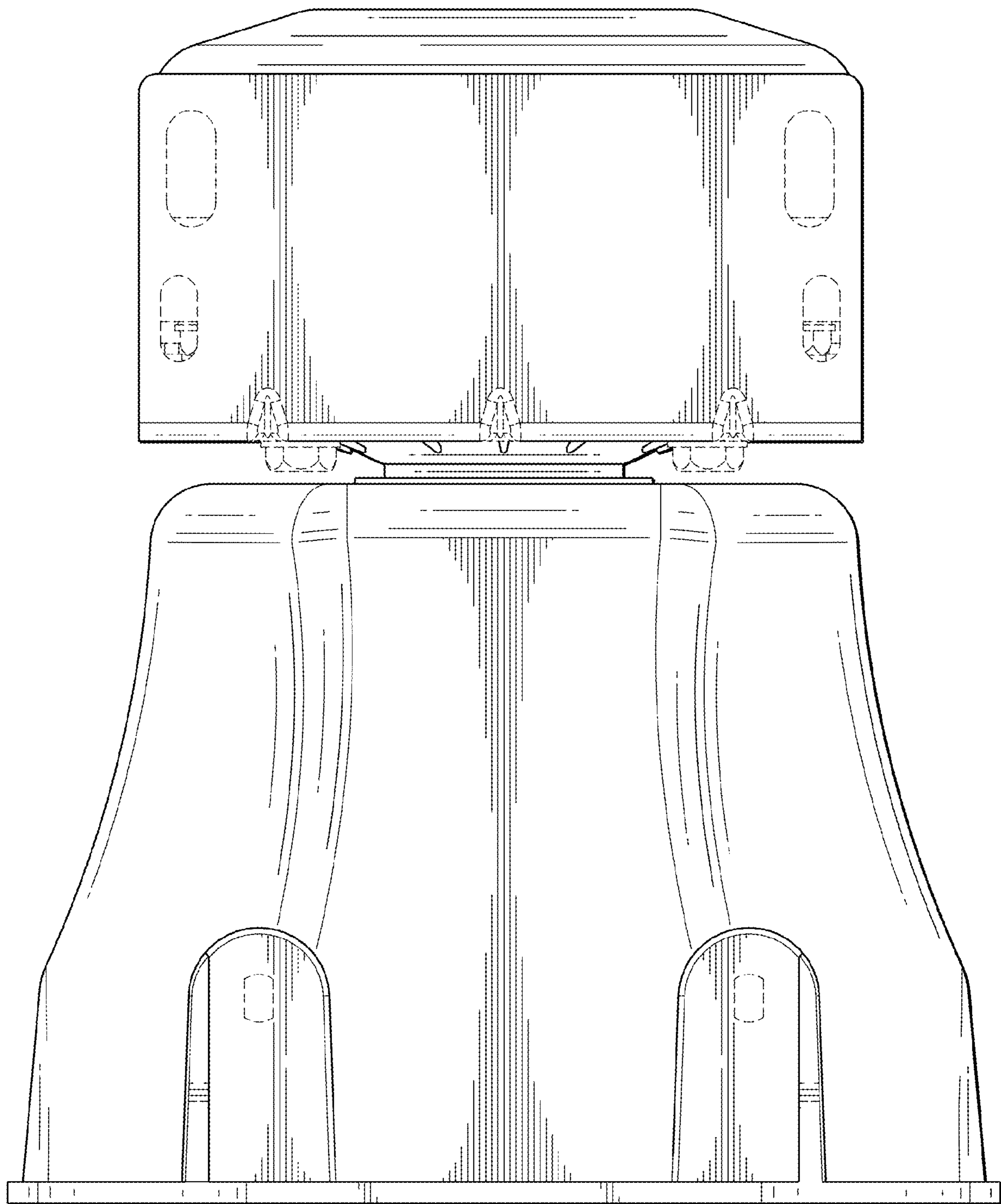


FIG. 3

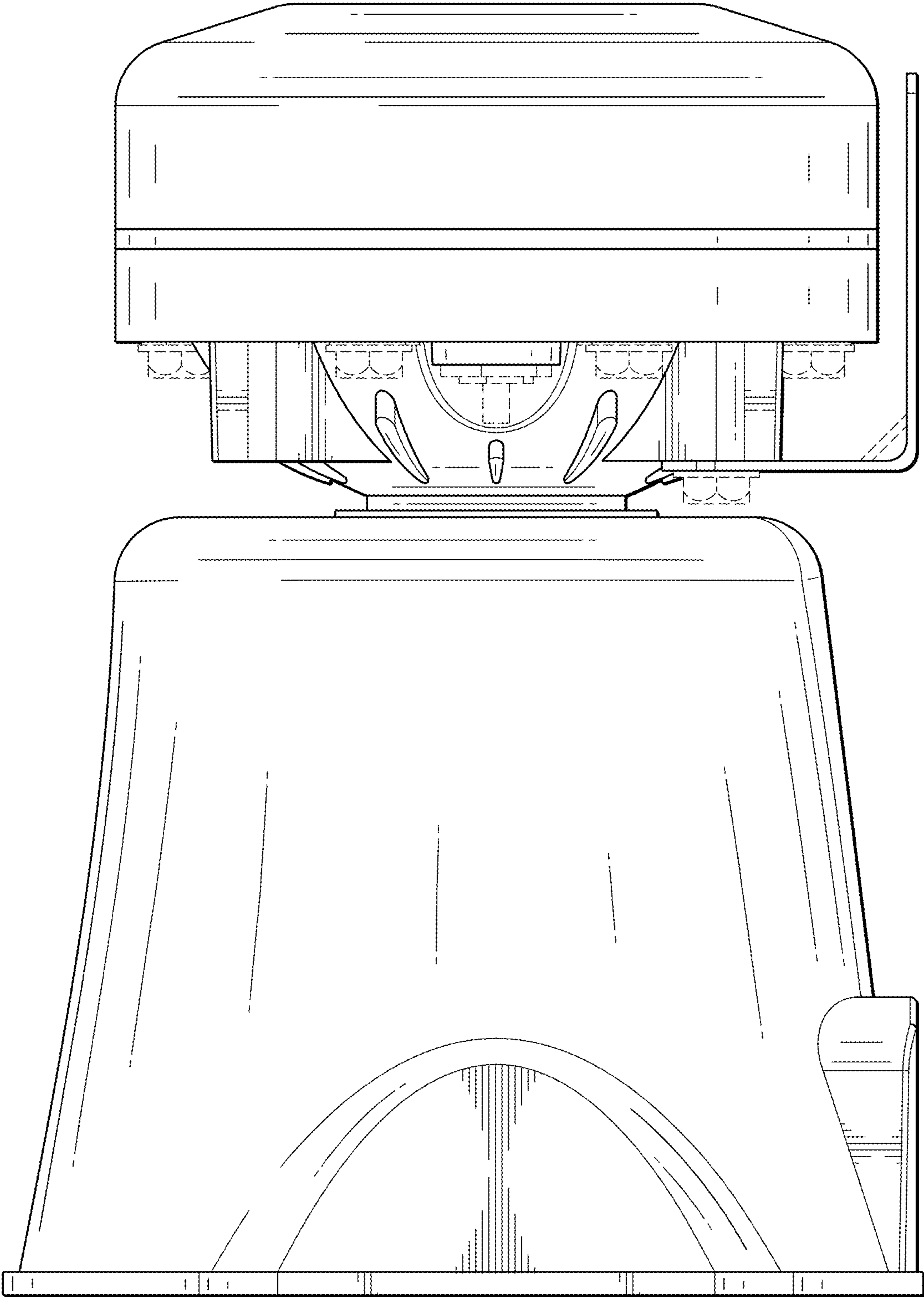


FIG. 4

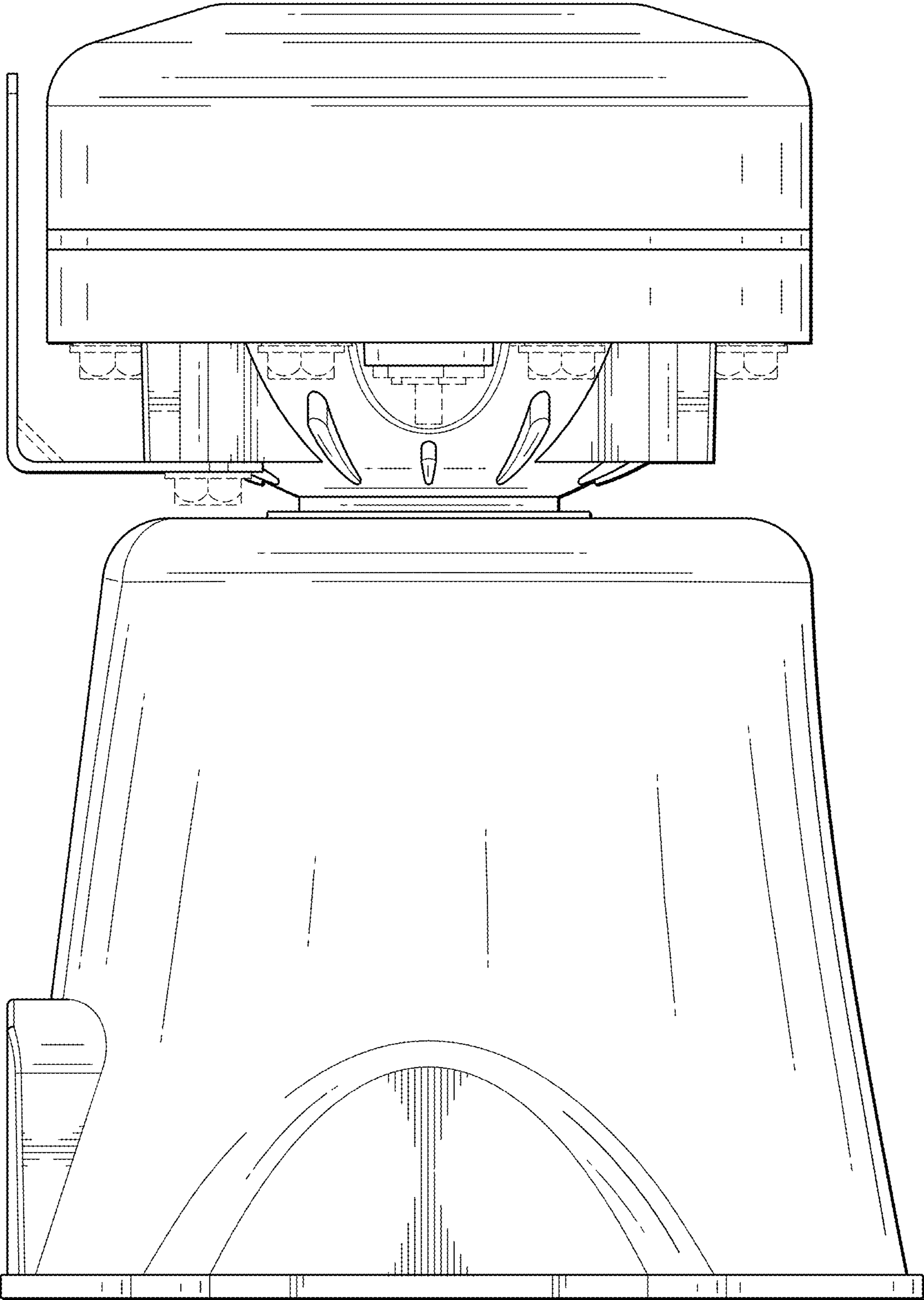


FIG. 5

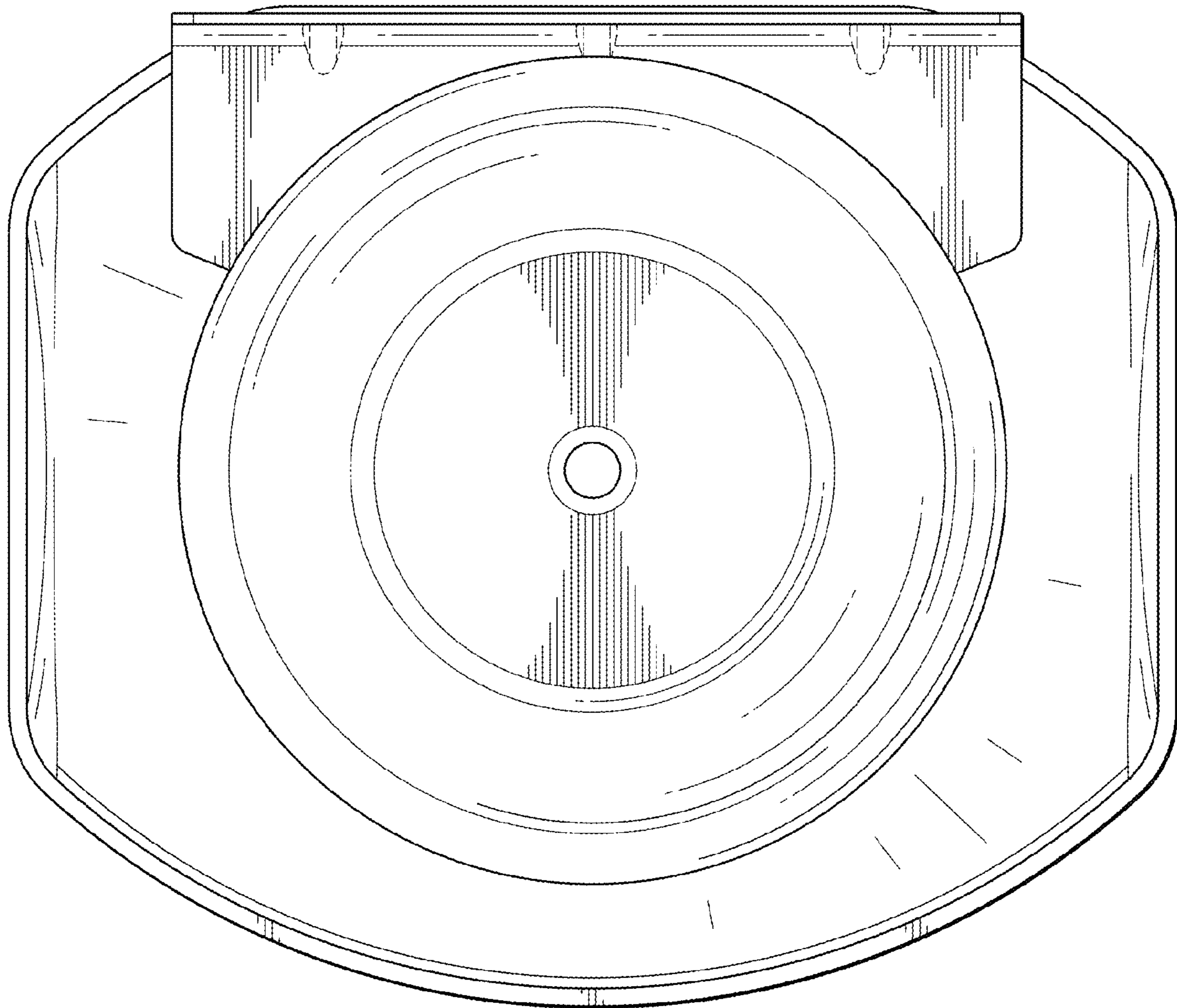


FIG. 6

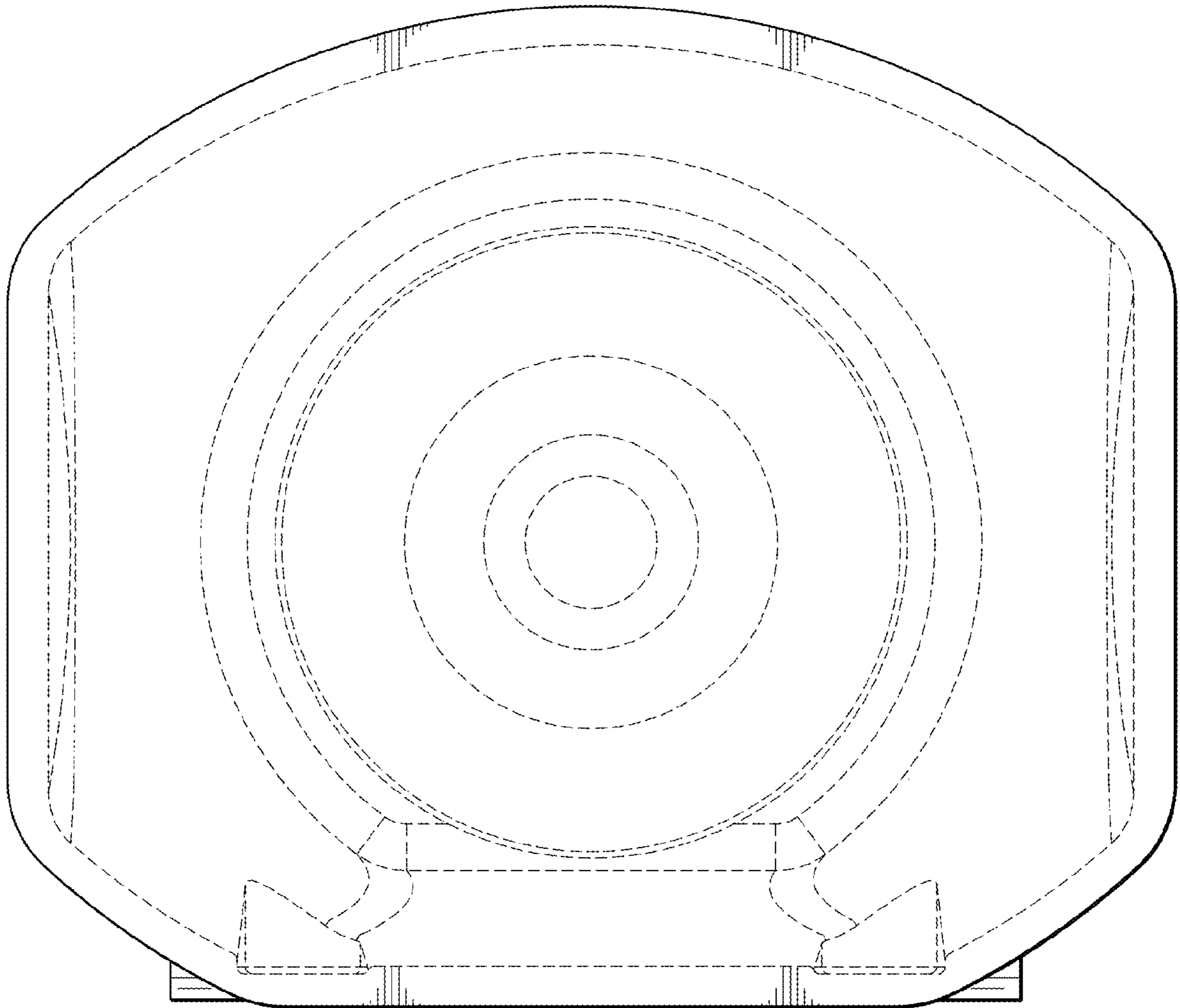


FIG. 7