



US00D880441S

(12) **United States Design Patent**  
**Tuccinardi et al.**

(10) **Patent No.:** **US D880,441 S**  
(45) **Date of Patent:** **\*\* Apr. 7, 2020**

(54) **VEHICLE ENTERTAINMENT SYSTEM FOR AN ACTIVE HEADREST**

(71) Applicant: **TMI PRODUCTS, INC.**, Corona, CA (US)

(72) Inventors: **Eugene Michael Tuccinardi**, Corona, CA (US); **Roel Castillo Espina**, Corona, CA (US); **Jon Parker Lawrence**, Corona, CA (US)

(73) Assignee: **Eugene M. Tuccinardi**, Temecula, CA (US)

(\*\*) Term: **15 Years**

(21) Appl. No.: **29/577,016**

(22) Filed: **Sep. 8, 2016**

**Related U.S. Application Data**

(63) Continuation of application No. 29/471,574, filed on Nov. 1, 2013, now abandoned.

(51) **LOC (12) Cl.** ..... **14-03**

(52) **U.S. Cl.**  
USPC ..... **D14/129**

(58) **Field of Classification Search**  
USPC ..... D14/126, 371, 374, 375, 129  
CPC ..... B60R 11/0235; B60R 11/02; B60R 2011/0017; G06F 1/1601; G06F 2200/1612; B60N 2/879  
See application file for complete search history.

(56) **References Cited**

**U.S. PATENT DOCUMENTS**

5,507,556 A \* 4/1996 Dixon ..... B60N 2/4876  
D14/371  
D406,582 S \* 3/1999 Rosen ..... D14/375  
D455,410 S \* 4/2002 Maruyama ..... D14/126

D515,522 S \* 2/2006 Vitito ..... D14/126  
D533,521 S \* 12/2006 Wilson ..... D14/126  
D559,808 S \* 1/2008 Vitito ..... D14/126  
D564,991 S \* 3/2008 Vitito ..... D14/126  
D590,787 S \* 4/2009 Vitito ..... D14/126  
D597,980 S \* 8/2009 Vitito ..... D14/126  
D638,347 S \* 5/2011 Davis ..... D12/416  
D652,419 S \* 1/2012 Chiu ..... D14/371  
D669,873 S \* 10/2012 Margis ..... D14/129  
D691,103 S \* 10/2013 Tuccinardi ..... D14/129  
D732,287 S \* 6/2015 Clark ..... D14/129  
D753,077 S \* 4/2016 Margis ..... D14/126  
9,701,257 B2 \* 7/2017 Vitito ..... B60R 11/0235  
2004/0032543 A1 \* 2/2004 Chang ..... B60R 11/0235  
348/837  
2005/0099042 A1 \* 5/2005 Vitito ..... B60N 2/879  
297/217.3

(Continued)

*Primary Examiner* — Brett Miller

(74) *Attorney, Agent, or Firm* — Barcelo, Harrison & Walker, LLP

(57) **CLAIM**

The ornamental design for a vehicle entertainment system for an active headrest, as shown and described.

**DESCRIPTION**

FIG. 1 depicts a perspective view of the vehicle entertainment system for an active headrest, showing our new design in a closed position.

FIG. 2 depicts a front view, with the vehicle entertainment system in a closed position, thereof;

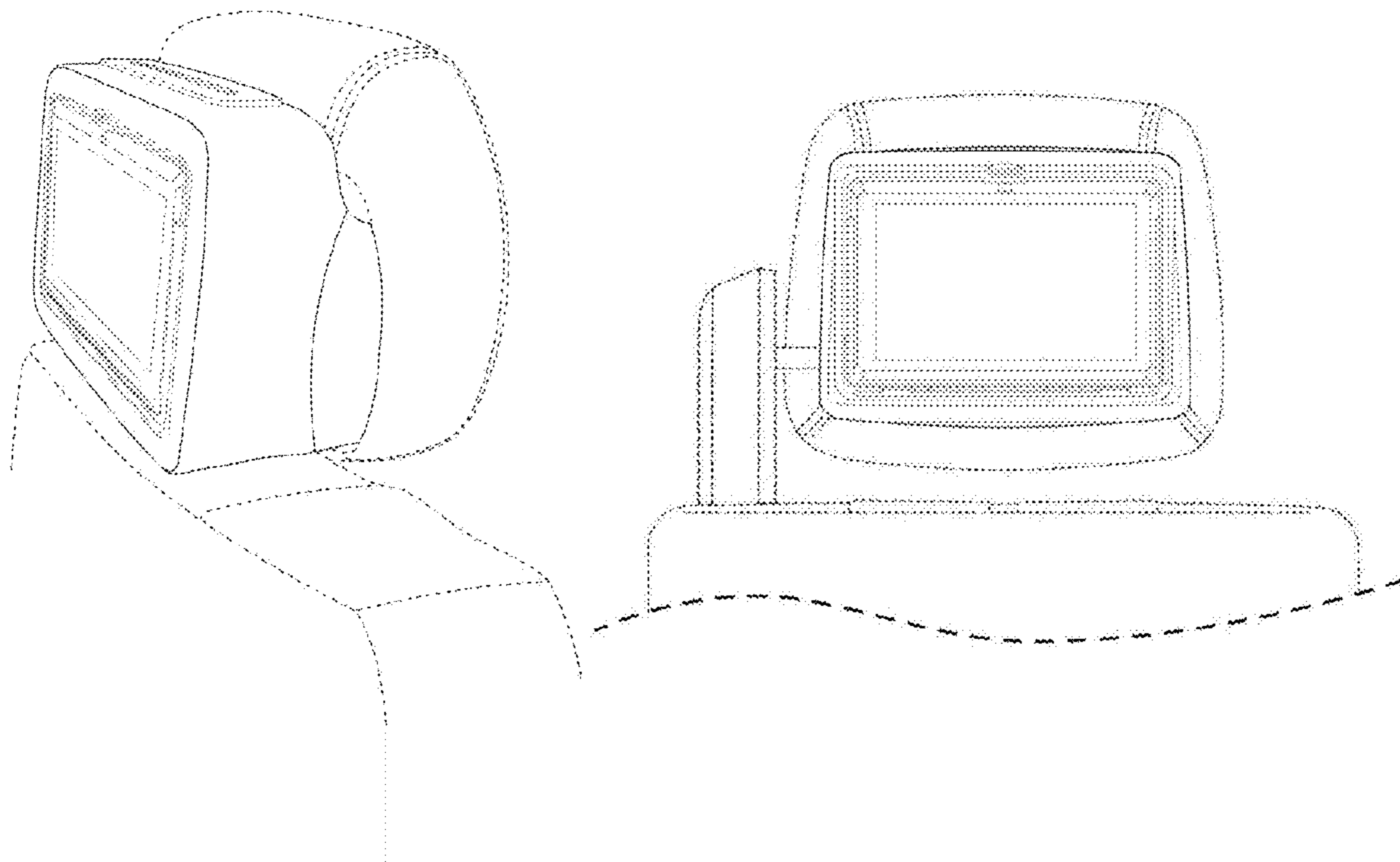
FIG. 3 depicts a right side view, with the vehicle entertainment system in an open position, thereof;

FIG. 4 depicts a left side view, with the vehicle entertainment system in an open position, thereof; and,

FIG. 5 depicts a top view, with the vehicle entertainment system in a closed position, thereof.

The even length broken lines depict environmental subject matter and form no part of the claim.

**1 Claim, 5 Drawing Sheets**



(56)

**References Cited**

U.S. PATENT DOCUMENTS

2005/0099547	A1 *	5/2005	Vitito .....	B60R 11/0235 348/739
2005/0110313	A1 *	5/2005	Vitito .....	B60N 2/879 297/217.3
2005/0223406	A1 *	10/2005	Vitito .....	B60R 11/0235 725/77
2005/0242638	A1 *	11/2005	Vitito .....	B60R 11/0235 297/217.3
2006/0119151	A1 *	6/2006	Vitito .....	B60R 11/0235 297/217.3
2006/0138290	A1 *	6/2006	Vitito .....	B60R 11/02 248/205.2
2007/0105444	A1 *	5/2007	Macholz .....	B60R 11/0235 439/607.41
2008/0246320	A1 *	10/2008	Chang .....	B60R 11/0235 297/217.3
2008/0252798	A1 *	10/2008	Vitito .....	B60R 11/0235 348/837
2009/0091163	A1 *	4/2009	Liu .....	B60N 2/879 297/217.3
2011/0181796	A1 *	7/2011	Caltabiano .....	B60R 11/0235 348/837
2013/0119727	A1 *	5/2013	Lavelle .....	B60R 11/0235 297/217.3
2014/0217789	A1 *	8/2014	Chang .....	B60R 11/0235 297/217.4
2017/0144612	A1 *	5/2017	Vinton .....	B60R 11/0235
2017/0154006	A1 *	6/2017	Tuccinardi .....	B60R 11/0235
2019/0283644	A1 *	9/2019	Smith .....	B60R 11/0235

\* cited by examiner

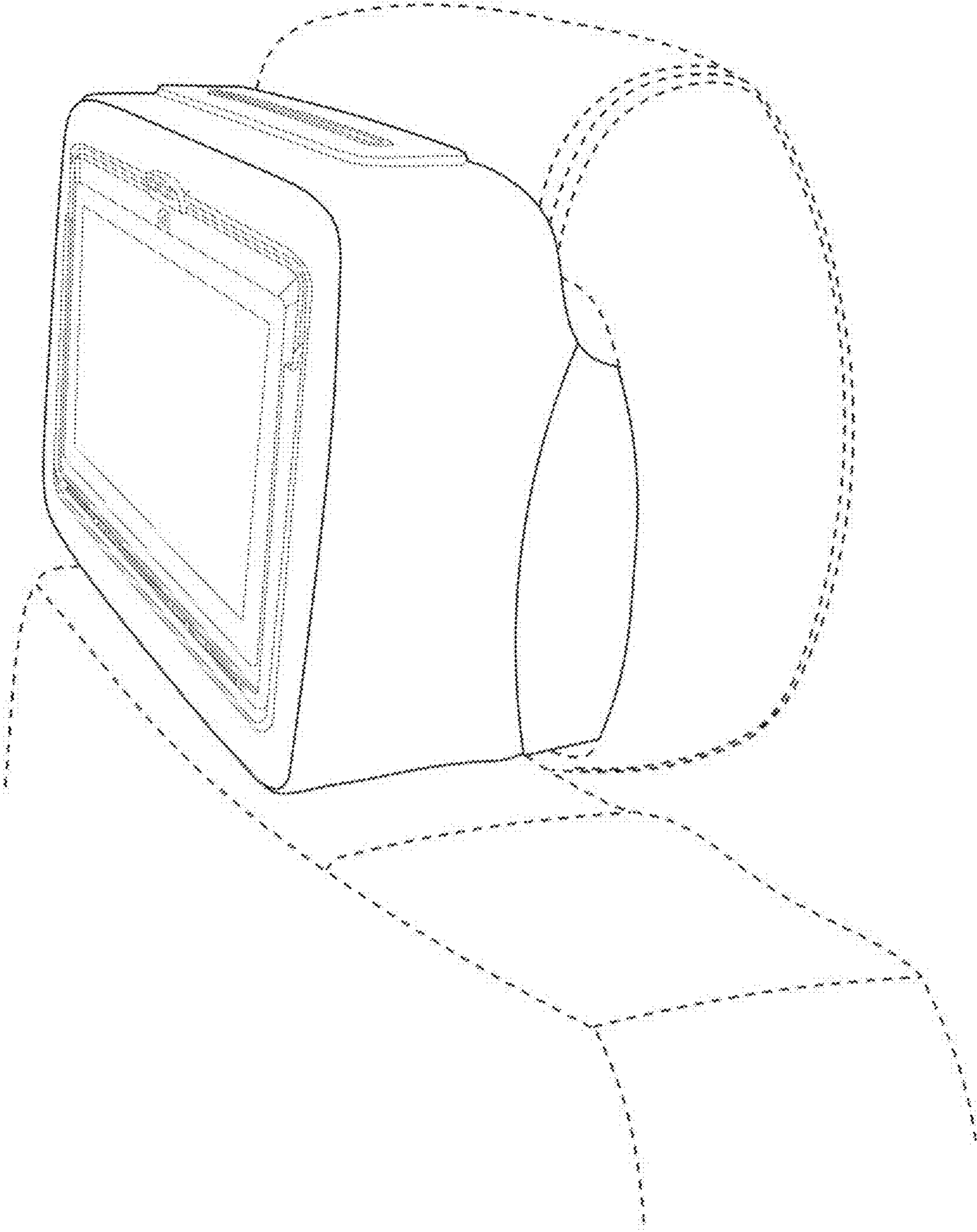


FIG. 1

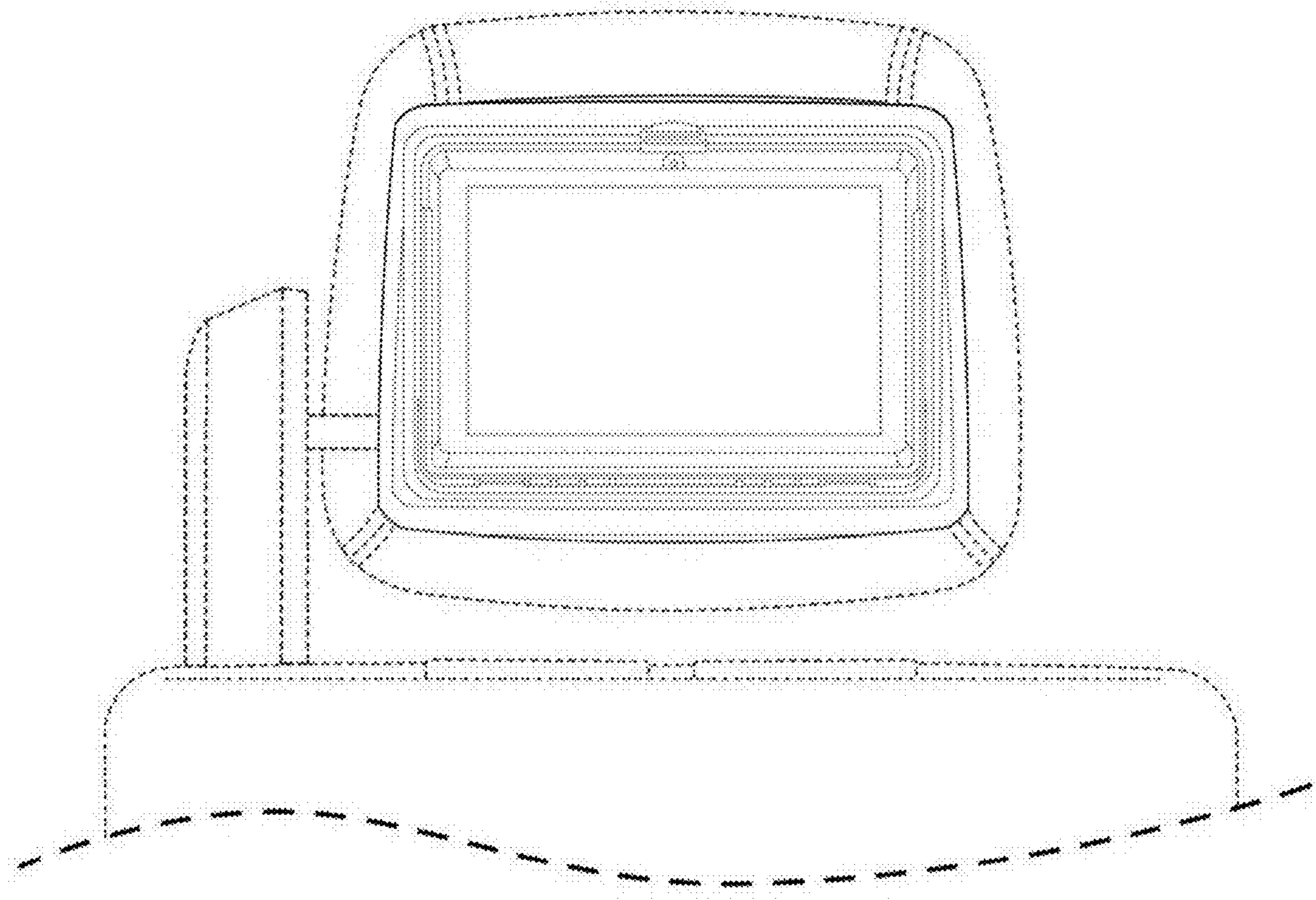


FIG. 2

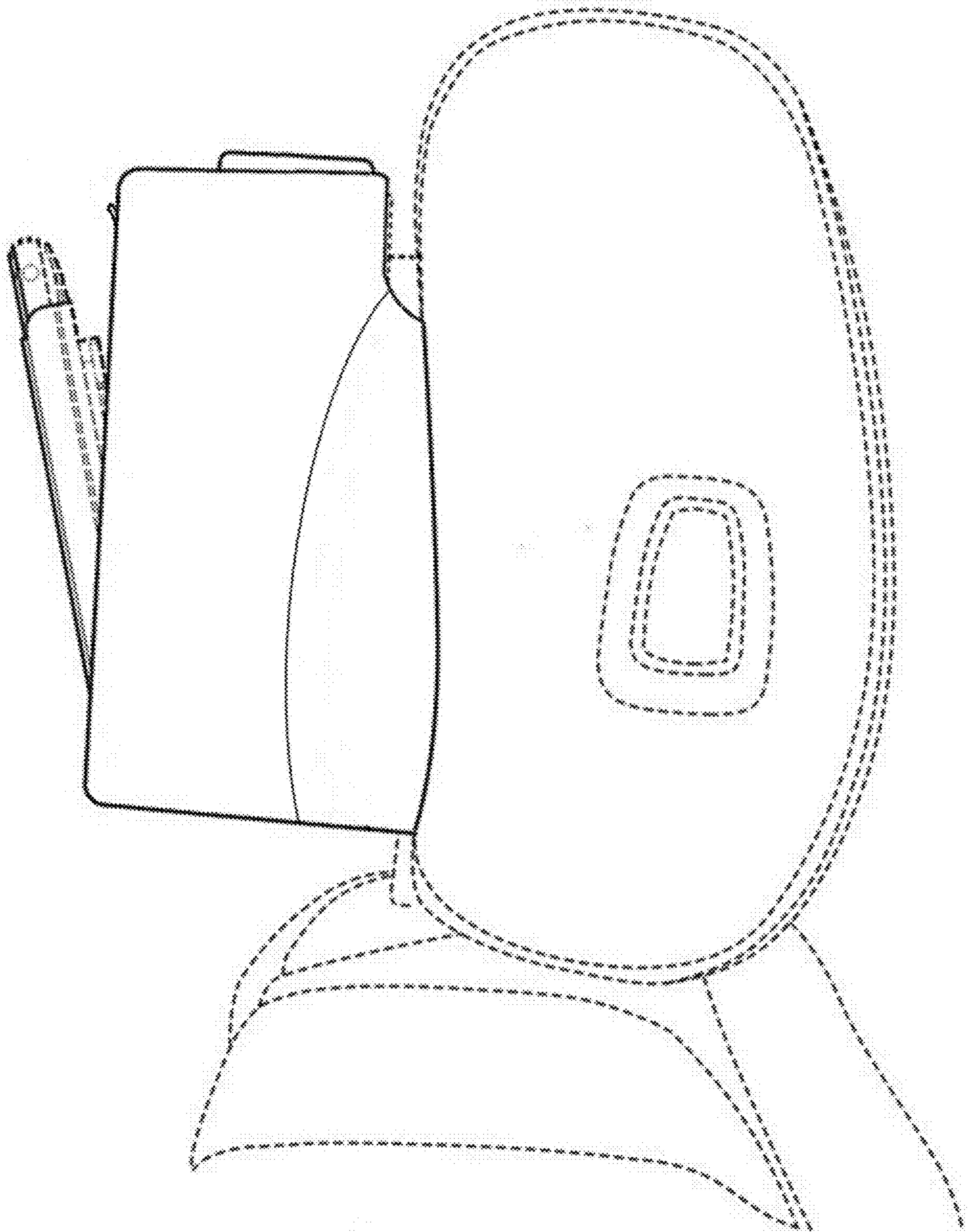


FIG. 3

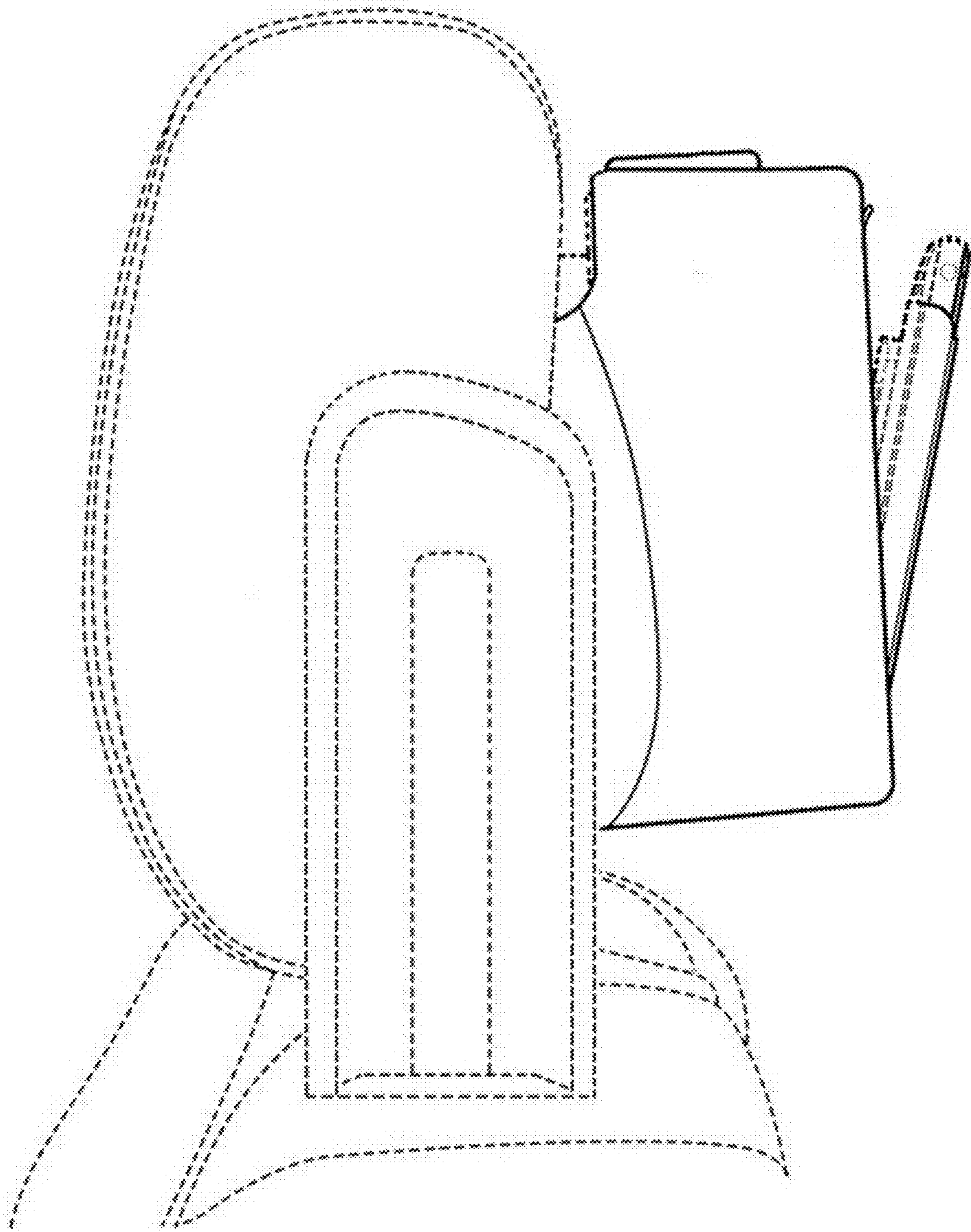


FIG. 4

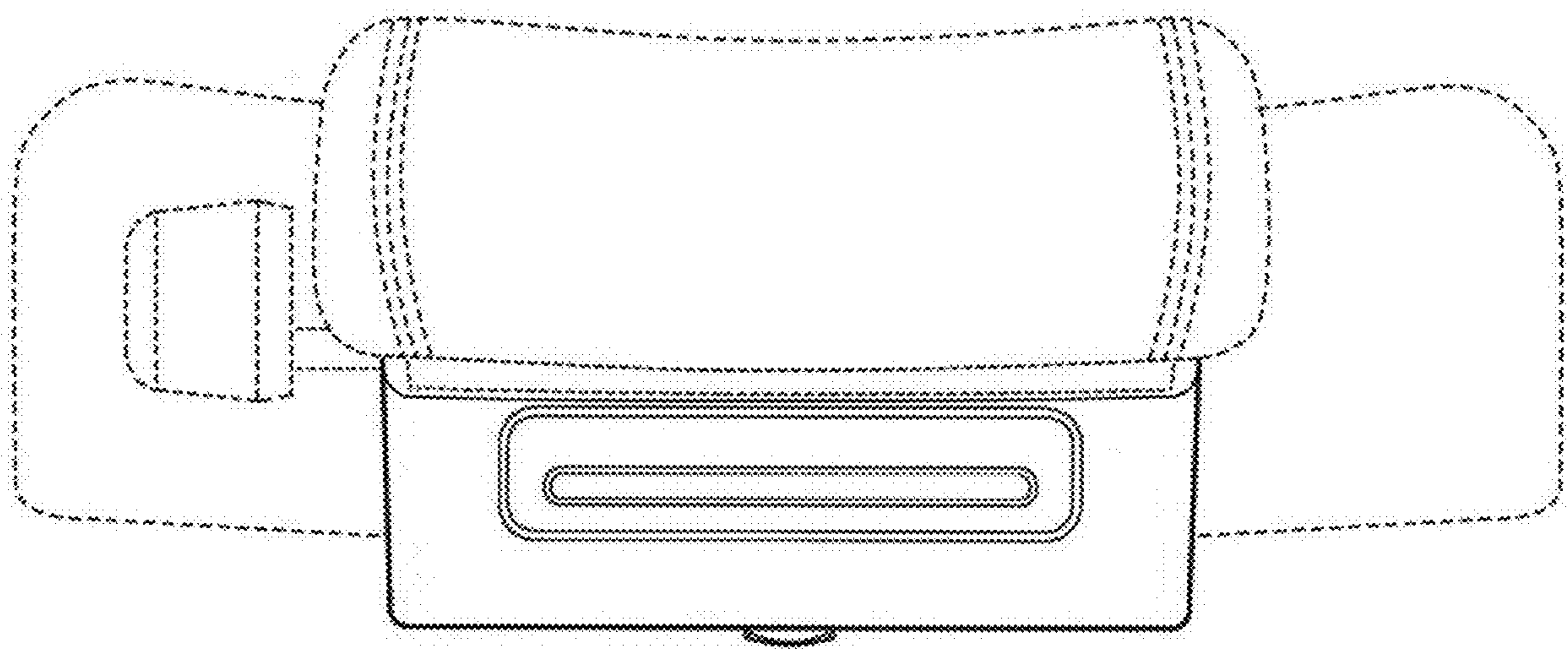


FIG. 5