



US00D880440S

(12) **United States Design Patent** (10) **Patent No.:** **US D880,440 S**  
**Green et al.** (45) **Date of Patent:** **\*\* Apr. 7, 2020**

(54) **ELECTRONIC DEVICE**

(56) **References Cited**

(71) Applicant: **Amazon Technologies, Inc.**, Seattle, WA (US)  
(72) Inventors: **Christopher Green**, San Francisco, CA (US); **Marc Rene Walliser**, San Francisco, CA (US); **Matthew Michael Seflic**, San Jose, CA (US)

U.S. PATENT DOCUMENTS

|           |    |   |         |          |       |                        |
|-----------|----|---|---------|----------|-------|------------------------|
| D304,823  | S  | * | 11/1989 | Pfeifer  | ..... | D14/353                |
| D310,999  | S  | * | 10/1990 | Nuttall  | ..... | D14/311                |
| D315,722  | S  | * | 3/1991  | Imamura  | ..... | D14/355                |
| D470,119  | S  | * | 2/2003  | Ota      | ..... | D14/167                |
| D508,491  | S  | * | 8/2005  | Choi     | ..... | D14/356                |
| 7,653,208 | B2 | ‡ | 1/2010  | Guenther | ..... | H04R 1/2834<br>381/386 |

(73) Assignee: **Amazon Technologies, Inc.**, Seattle, WA (US)

(Continued)

(\*\*) Term: **15 Years**

OTHER PUBLICATIONS

(21) Appl. No.: **29/694,199**

The Indian Office Action dated Dec. 4, 2017 for Indian design application No. 299690, a counterpart foreign application of design U.S. Appl. No. 29/609,169, 2 pages.‡

(22) Filed: **Jun. 7, 2019**

(Continued)

**Related U.S. Application Data**

(62) Division of application No. 29/609,169, filed on Jun. 28, 2017, now Pat. No. Des. 855,028.

*Primary Examiner* — Jeffrey D Asch

*Assistant Examiner* — Rebekah A Caruso

(74) *Attorney, Agent, or Firm* — Lee & Hayes, P.C.

(51) **LOC (12) Cl.** ..... **14-03**

(52) **U.S. Cl.**  
USPC ..... **D14/125**; D14/172; D14/214

(57) **CLAIM**

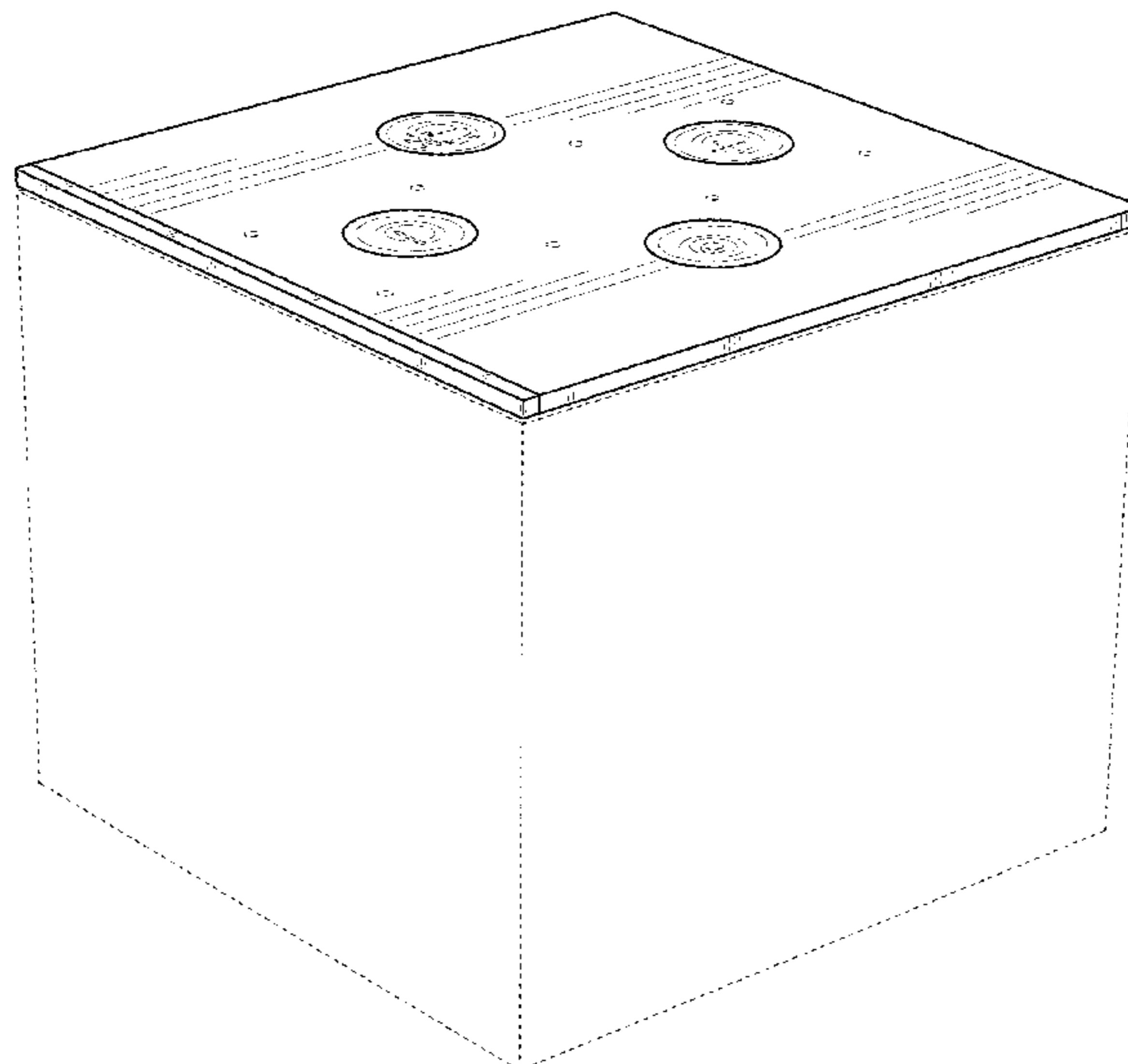
The ornamental design for an electronic device, as shown and described.

(58) **Field of Classification Search**  
USPC .... D14/125, 137, 140–140.9, 155, 159, 160, D14/167, 168, 172, 188, 194, 203.1, D14/203.6, 204, 209.1, 214, 217, 221, D14/222, 240, 242, 299, 308, 314, D14/356–358, 432, 433, 474, 496, 497, D14/500, 501, 507; D10/104.1, D10/106.1–106.9; D13/108, 110, 123, D13/158, 177, 199; D21/332, 333, 483, D21/513, 515, 324  
CPC ..... H04R 1/02; H04R 1/025; H04R 1/026; H04R 1/323; H04R 1/403; H04R 1/2803; H04R 1/2834; H04R 3/00; H04R 5/02; H04N 7/15; H04N 7/152; H04N 7/147; G06F 3/01; G06F 1/16; H05K 5/00; H05K 5/02; H05K 5/03  
See application file for complete search history.

**DESCRIPTION**

FIG. 1 is a top perspective view of an electronic device  
FIG. 2 is a bottom perspective view thereof;  
FIG. 3 is a front view thereof;  
FIG. 4 is a back view thereof;  
FIG. 5 is a left-side view thereof;  
FIG. 6 is a right-side view thereof;  
FIG. 7 is a top view thereof; and,  
FIG. 8 is a bottom view thereof.  
The broken lines depict portions of the electronic device that form no part of the claimed design.

**1 Claim, 8 Drawing Sheets**



(56)

References Cited

U.S. PATENT DOCUMENTS

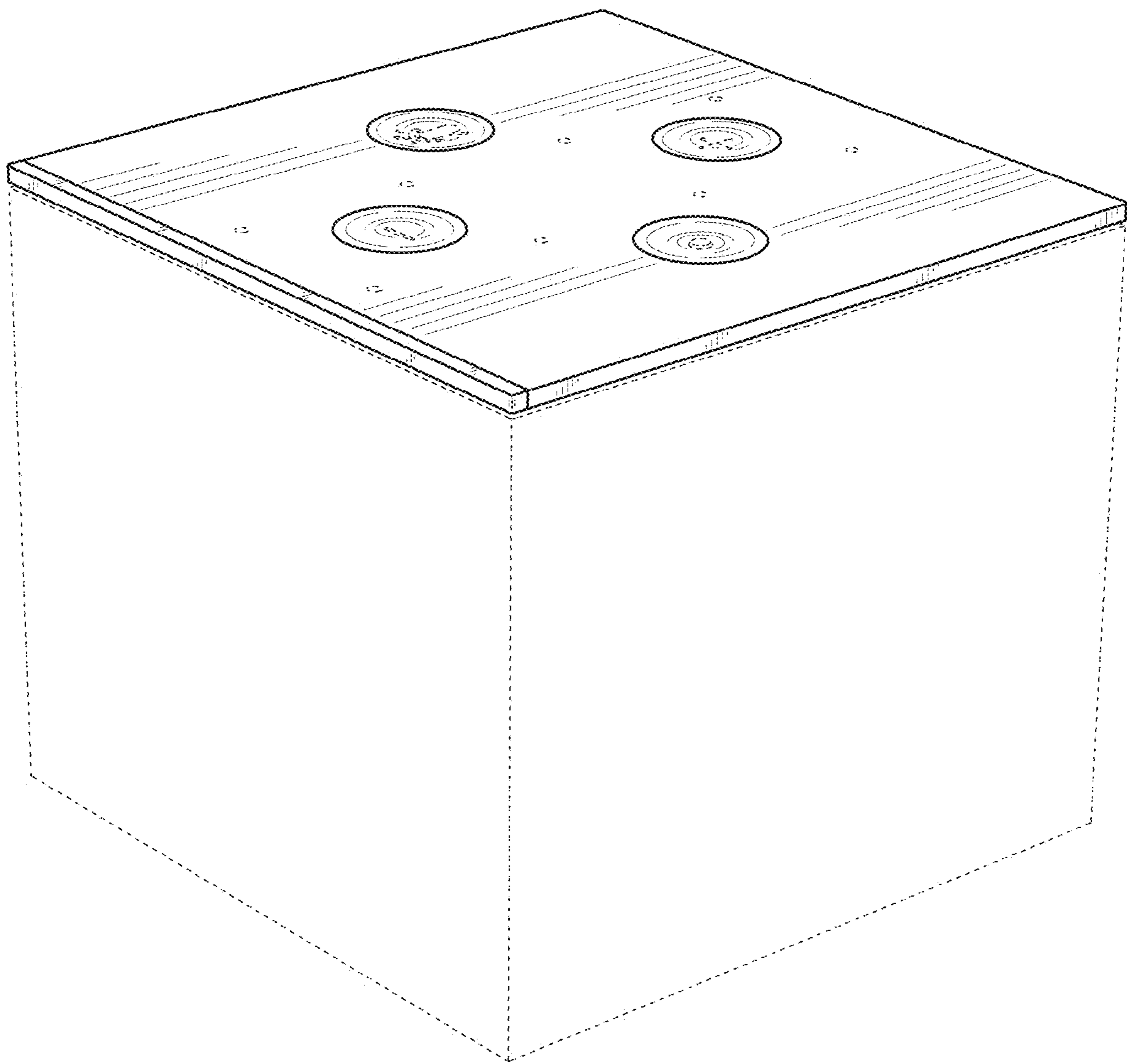
D650,394 S \* 12/2011 Seoc ..... D14/496  
 D669,500 S † 10/2012 Dangerfield ..... D14/203.1  
 D680,097 S † 4/2013 Davies ..... D14/204  
 D690,280 S † 9/2013 Schul ..... D14/168  
 D707,202 S † 6/2014 McManigal ..... D14/214  
 D710,327 S \* 8/2014 McManigal ..... D14/214  
 D722,053 S † 2/2015 Wang ..... D14/358  
 D740,282 S \* 10/2015 Peng ..... D14/312  
 D747,697 S † 1/2016 Wildner ..... D14/209.1  
 D754,101 S † 4/2016 McManigal ..... D14/214  
 D754,102 S † 4/2016 Sun ..... D14/214  
 D754,109 S † 4/2016 Kelly ..... D14/240  
 D757,710 S \* 5/2016 Donachy ..... D14/314  
 D760,691 S † 7/2016 Paslawski ..... D14/214  
 D772,221 S † 11/2016 Kacin ..... D14/308  
 D772,222 S † 11/2016 Kacin ..... D14/308  
 D772,223 S † 11/2016 Kacin ..... D14/308  
 D772,224 S † 11/2016 Kacin ..... D14/308  
 D778,986 S † 2/2017 Kacin ..... D19/77  
 D785,365 S † 5/2017 Newlin ..... D6/526  
 D789,907 S † 6/2017 Summerson ..... D14/204  
 D791,214 S † 7/2017 Park ..... D16/230  
 D792,468 S † 7/2017 Langhammer ..... D14/203.6  
 D793,888 S \* 8/2017 Hasegawa ..... D10/106.95  
 D807,879 S † 1/2018 Kacin ..... D14/356  
 D808,388 S † 1/2018 Kacin ..... D14/356  
 D810,077 S † 2/2018 Kacin ..... D14/356  
 D812,053 S † 3/2018 Kacin ..... D14/356  
 D814,436 S \* 4/2018 Wen ..... D14/150  
 D815,610 S † 4/2018 Lee ..... D14/125  
 D816,062 S † 4/2018 Park ..... D14/214  
 D824,368 S † 7/2018 Kacin ..... D14/218

D826,205 S \* 8/2018 Langhammer ..... D14/203.6  
 D826,296 S † 8/2018 Noorazar ..... D15/122  
 D826,935 S \* 8/2018 Son ..... D14/358  
 D827,606 S † 9/2018 Johnson ..... D14/204  
 D830,989 S † 10/2018 McManigal ..... D14/204  
 D835,062 S \* 12/2018 Langhammer ..... D14/203.6  
 D836,087 S † 12/2018 DePasquale ..... D14/214  
 D838,252 S † 1/2019 Shin ..... D14/125  
 D848,398 S \* 5/2019 Huang ..... D14/216  
 D855,028 S \* 7/2019 Green ..... D14/125  
 D855,051 S \* 7/2019 Nguyen ..... D14/299  
 D860,959 S \* 9/2019 Seflic ..... D14/125  
 D865,714 S \* 11/2019 McManigal ..... D14/214  
 2015/0271937 A1 † 9/2015 Zheng ..... G06F 1/181  
 312/293.2

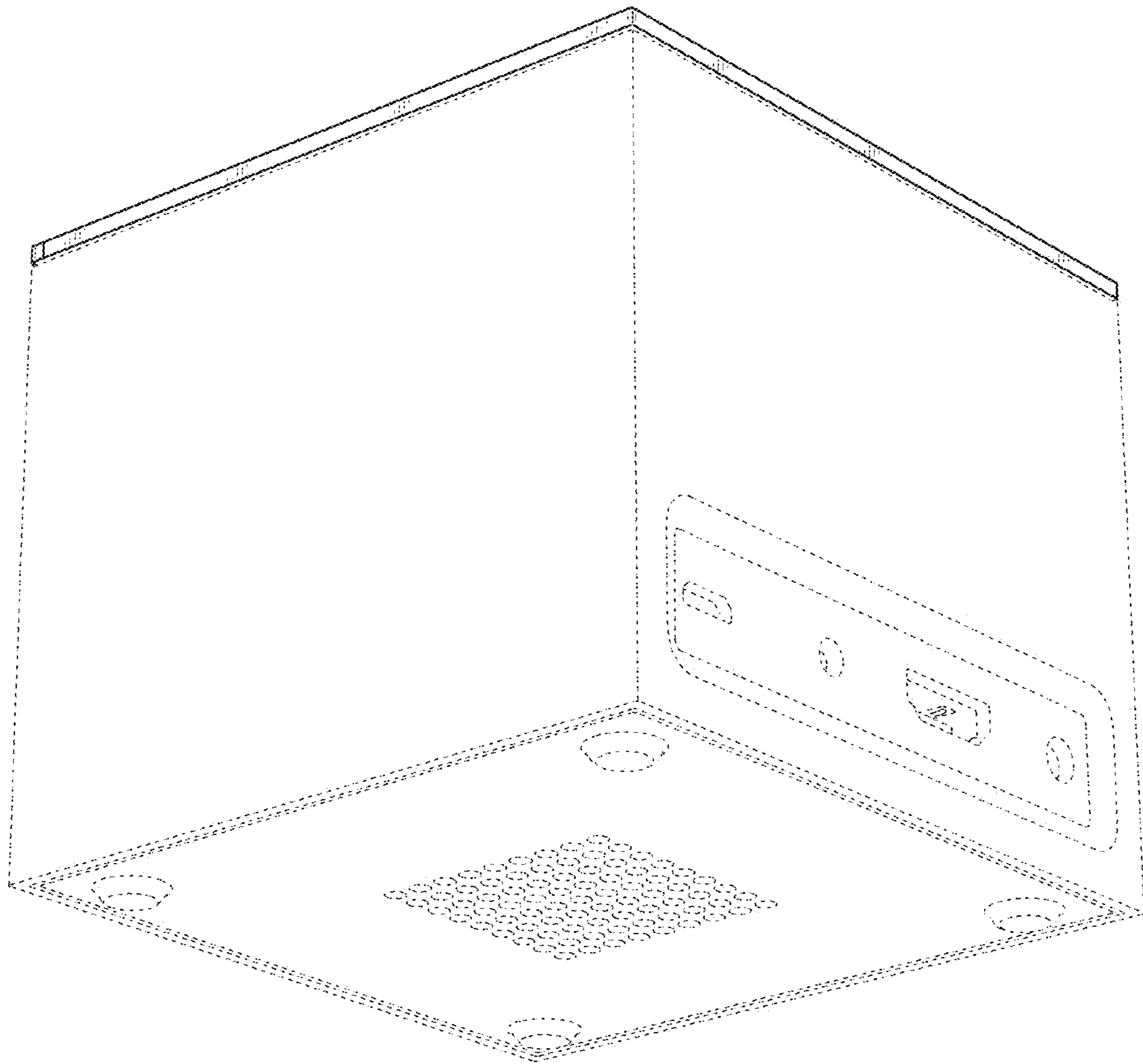
OTHER PUBLICATIONS

Amazon Fire TV Cube, online, post date Jun. 21, 2018, &lt;URL: https://www.pcmag.com/review/361947/amazon-fire-tv-cube&gt;, retrieved Dec. 20, 2018.†  
 Amazon Fire TV Cube, online, post date Jun. 21, 2018, <U RL: https://www.pcmag.com/review/361947/amazon-fire-tv-cube>, retrieved Dec. 20, 2018.  
 The Canadian Office Action dated Jul. 25, 2018 for Canadian design application No. 178244, a counterpart foreign application of design U.S. Appl. No. 29/609,169.  
 The Chinese Office Action dated Jun. 12, 2018 for Chinese design application No. 201730637716.7, a counterpart foreign application of design U.S. Appl. No. 29/609,169.

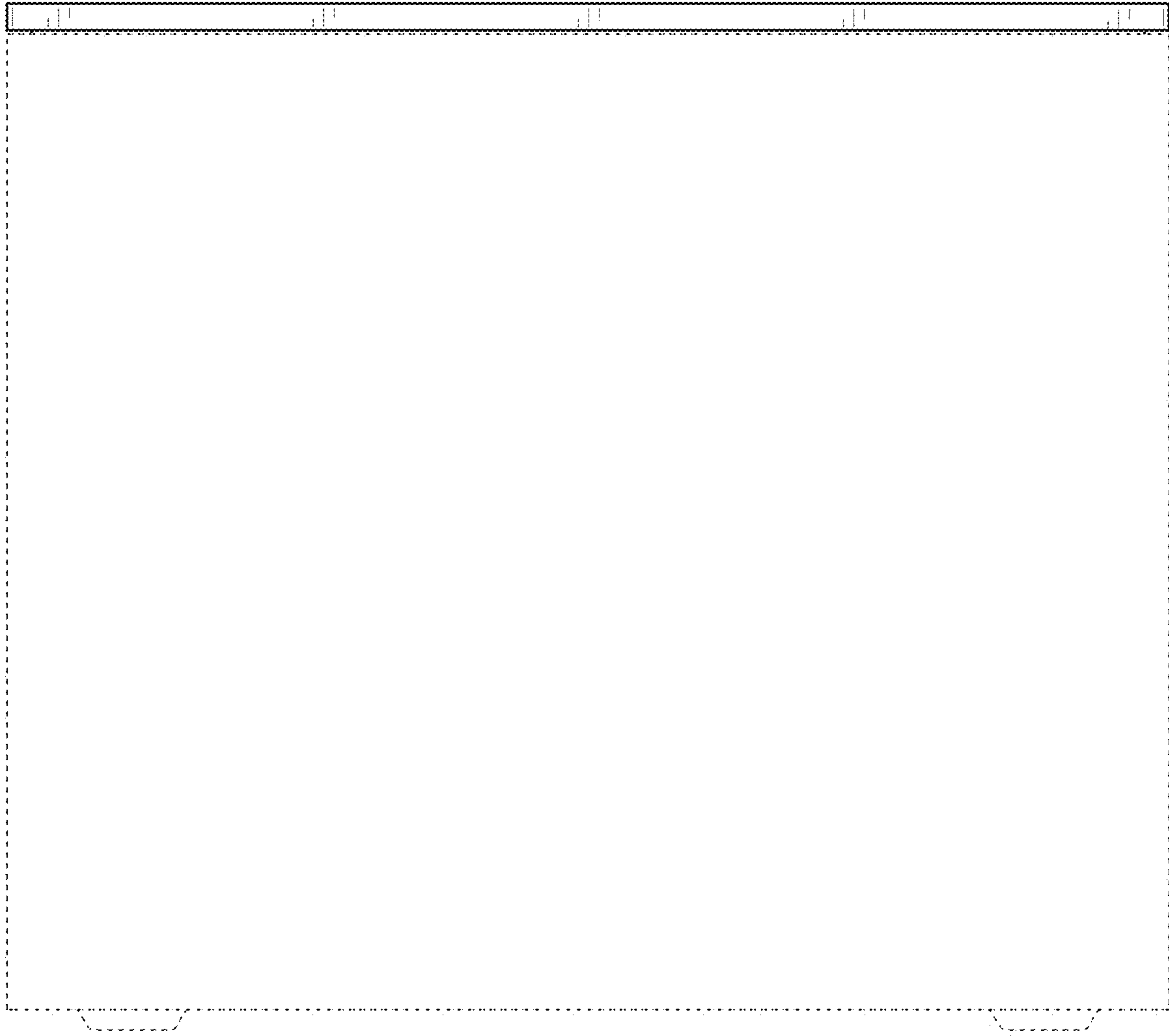
\* cited by examiner  
 † imported from a related application



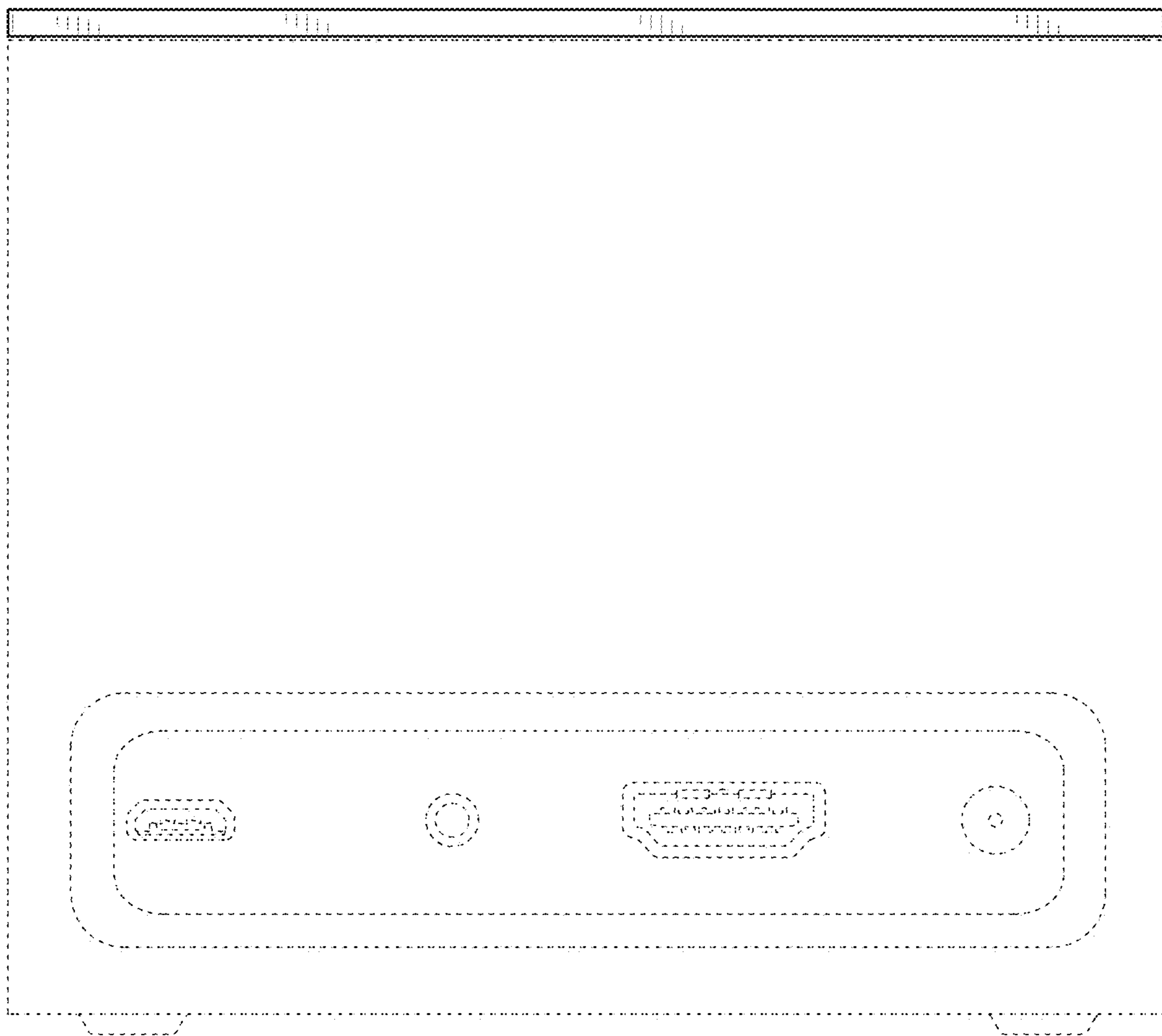
**FIG. 1**



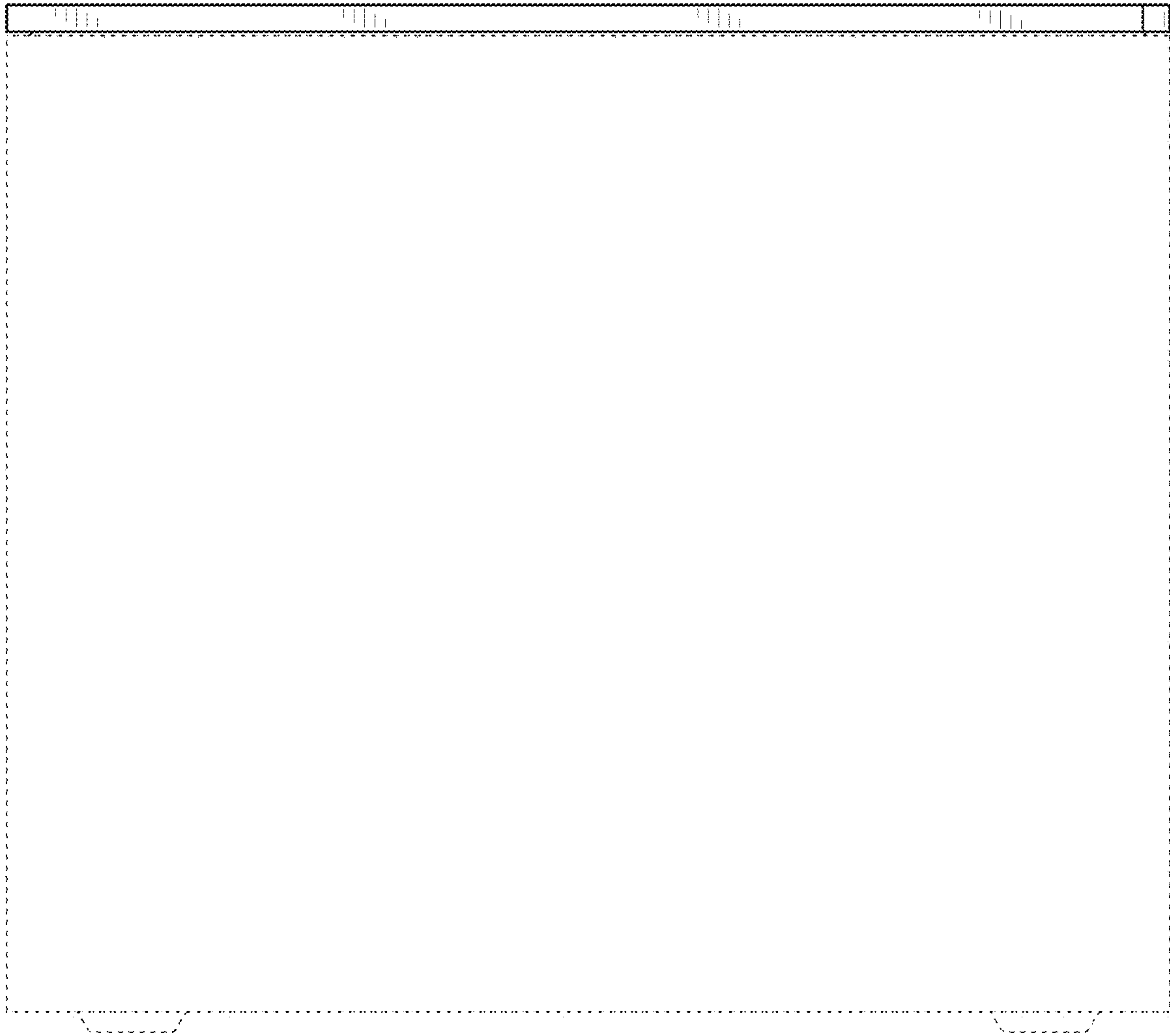
**FIG. 2**



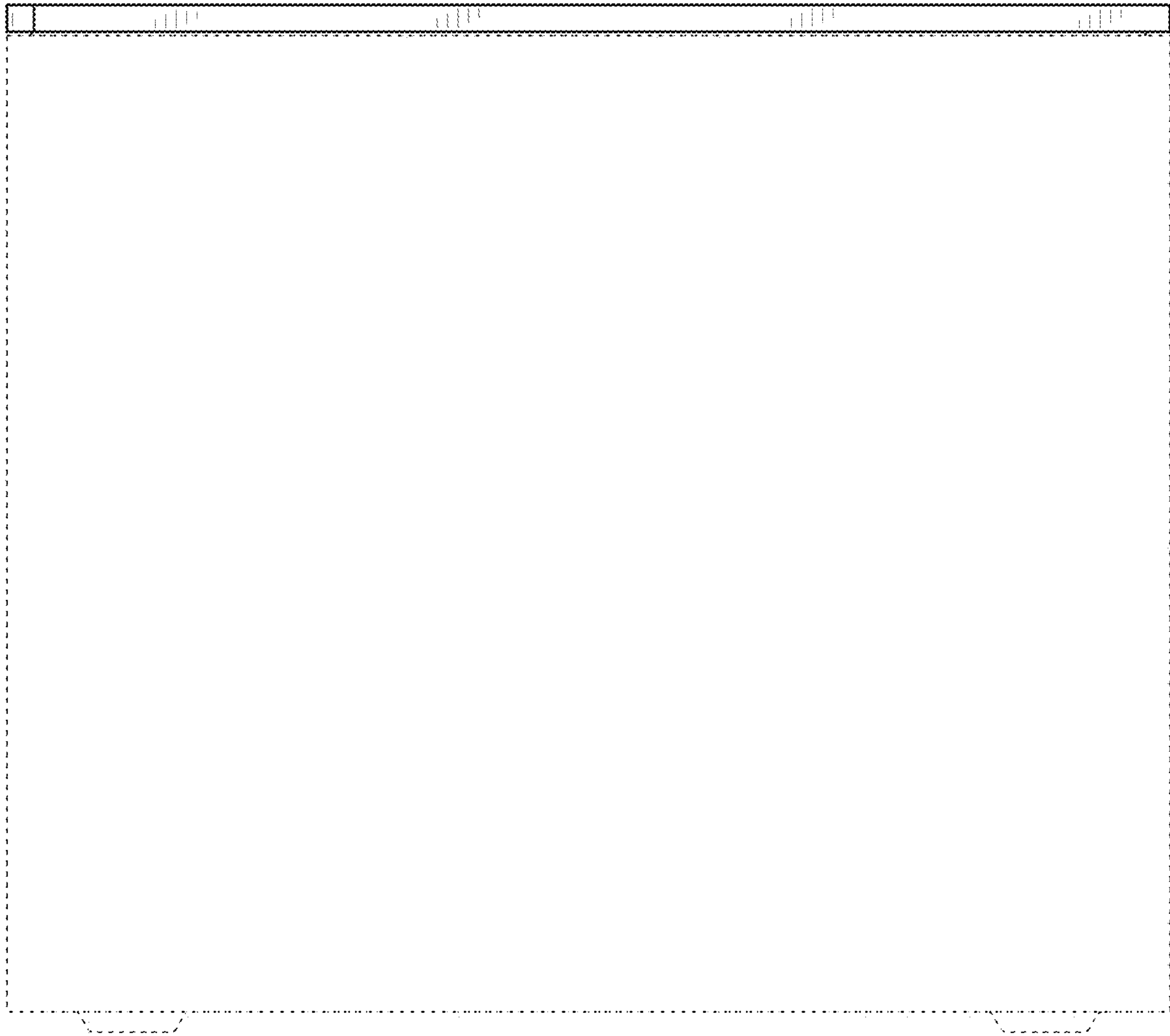
**FIG. 3**



**FIG. 4**

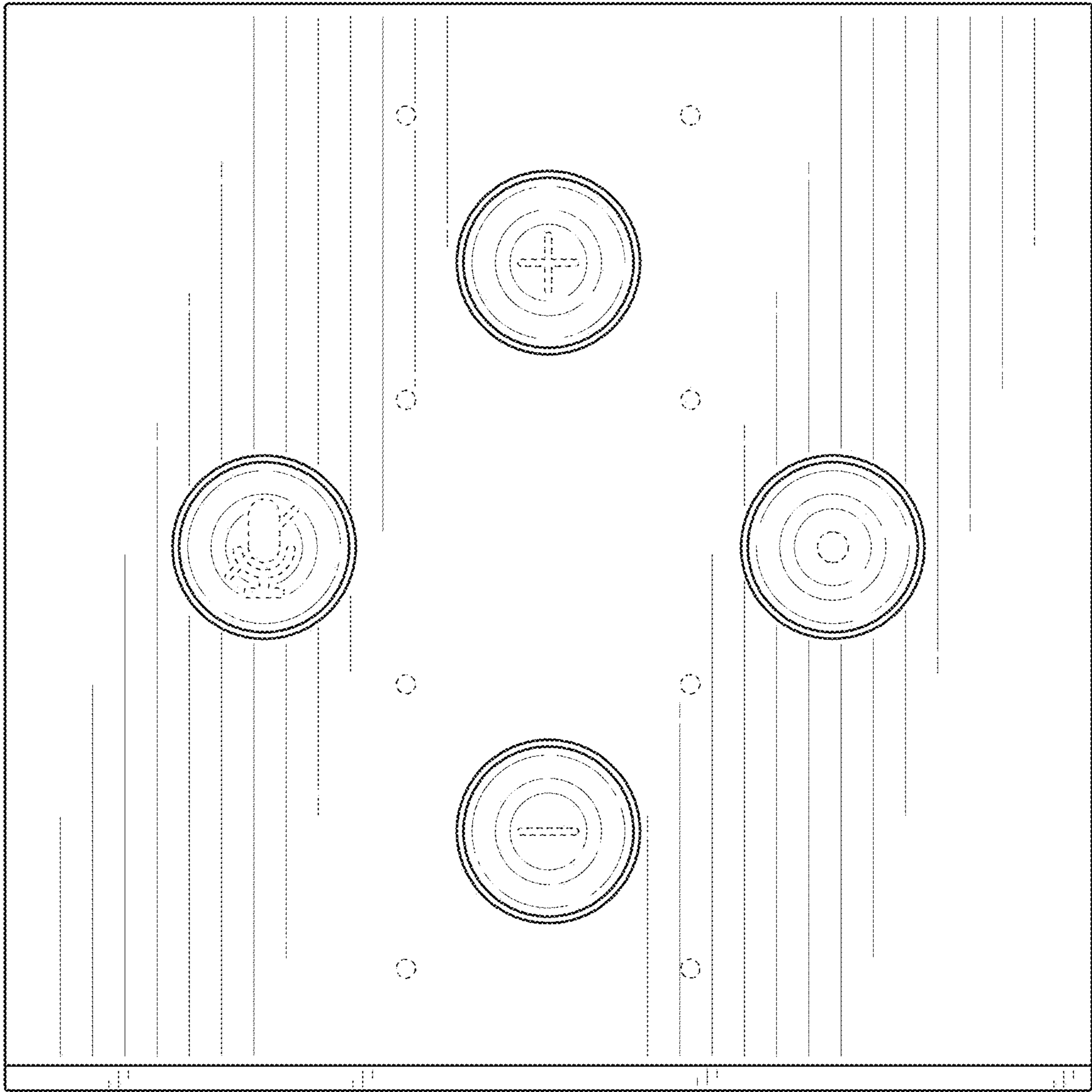


**FIG. 5**

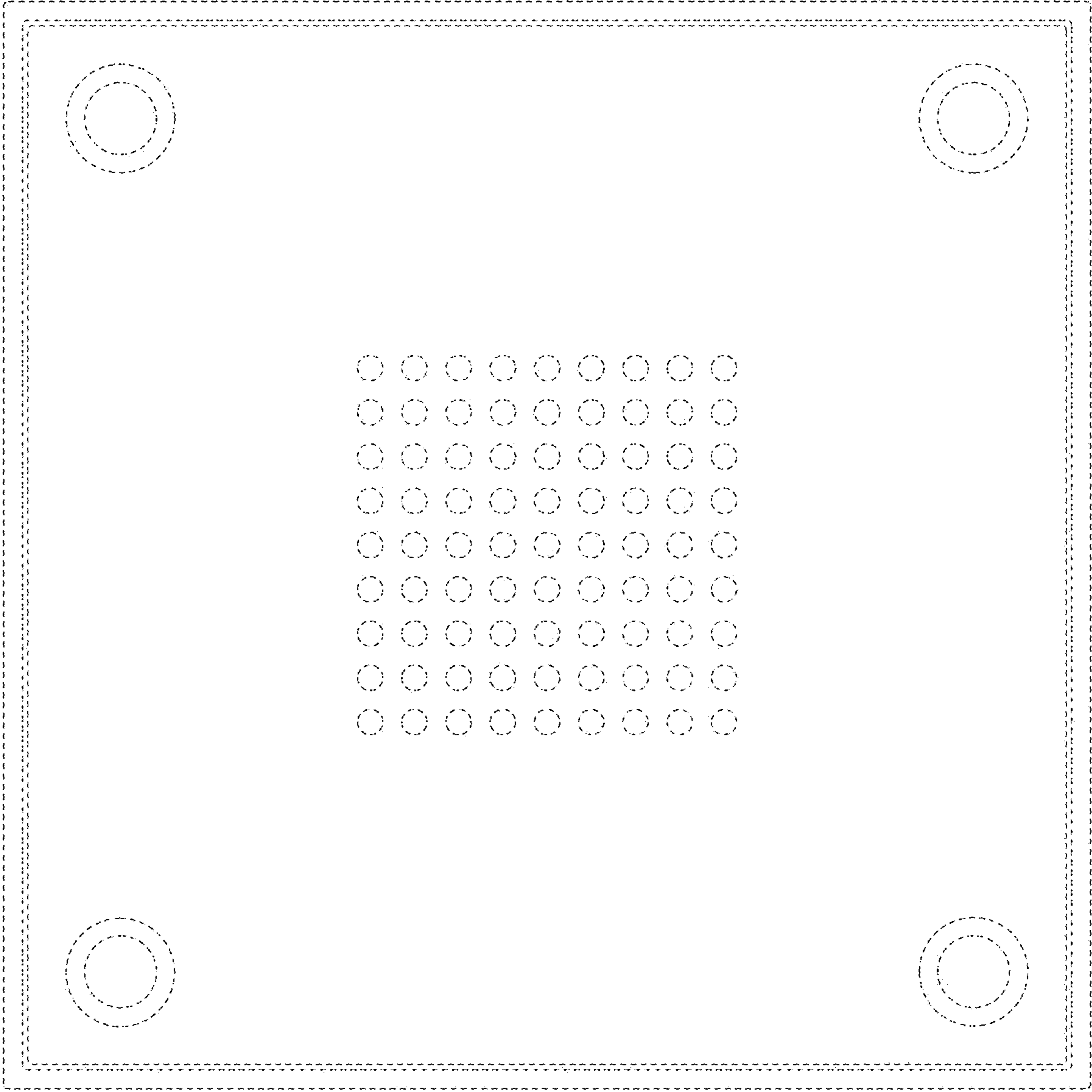


**FIG. 6**





**FIG. 7**



**FIG. 8**