



US00D880438S

(12) **United States Design Patent** (10) **Patent No.:** **US D880,438 S**
Adams et al. (45) **Date of Patent:** **** Apr. 7, 2020**

(54) **MINI HOUSE BOX**
(71) Applicant: **PPC BROADBAND, INC.**, East
Syracuse, NY (US)
(72) Inventors: **Cameron James Adams**, Camillus, NY
(US); **Brian K. Hanson**, Cicero, NY
(US)
(73) Assignee: **PPC BROADBAND, INC.**, East
Syracuse, NY (US)

D789,899 S * 6/2017 von der Lippe D13/184
D793,977 S * 8/2017 Chung D13/184
9,882,362 B2 * 1/2018 Carapella G02B 6/4448
9,952,397 B2 * 4/2018 Hanson G02B 6/445
D817,332 S * 5/2018 Yaprak D14/432
D830,322 S * 10/2018 Yaprak D13/184
D840,251 S * 2/2019 Choi D10/52
10,416,404 B2 * 9/2019 Holmberg G02B 6/445
2006/0153516 A1 * 7/2006 Napiorkowski G02B 6/445
385/135
2009/0314907 A1 * 12/2009 Romerein H04M 1/0293
248/205.1
2014/0023334 A1 * 1/2014 Larsson G02B 6/445
385/135

(**) Term: **15 Years**

* cited by examiner

(21) Appl. No.: **29/651,432**

Primary Examiner — Keli L Hill

(22) Filed: **Aug. 15, 2018**

Assistant Examiner — Harold E Blackwell, II

(51) **LOC (12) Cl.** **13-03**

(74) *Attorney, Agent, or Firm* — MH2 Technology Law
Group, LLP

(52) **U.S. Cl.**
USPC **D13/184**

(58) **Field of Classification Search**
USPC D13/162, 164, 177, 184, 158, 159, 160,
D13/161, 199
CPC H05K 5/00; H05K 5/0073; H05K 5/00
See application file for complete search history.

(57) **CLAIM**

The ornamental design for a mini house box, as shown and described.

DESCRIPTION

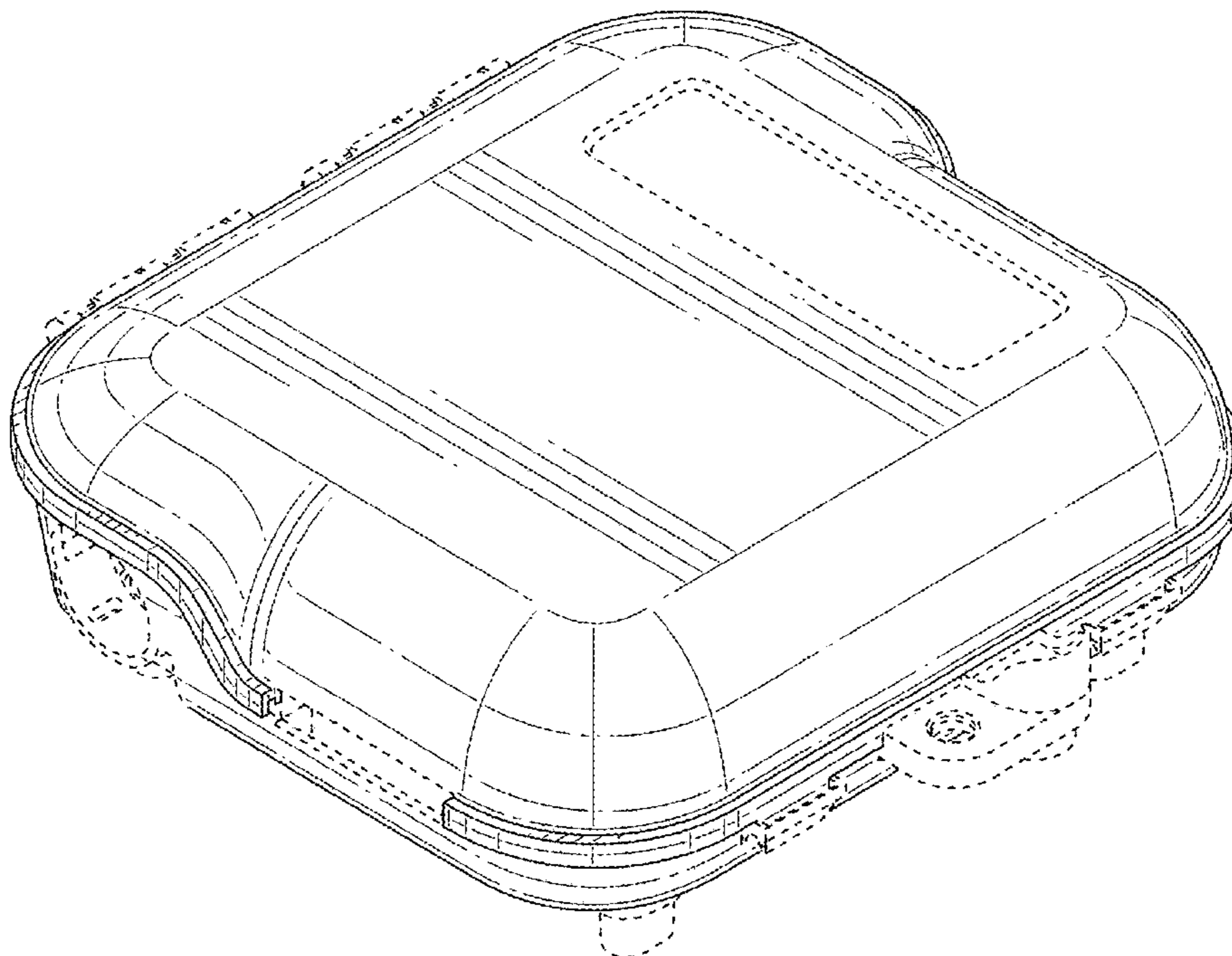
FIG. 1 is a front, top, left-side view of the mini house box;
FIG. 2 is a right-side elevational view thereof;
FIG. 3 is a left-side elevational view thereof;
FIG. 4 is a rear elevational view thereof;
FIG. 5 is a front elevational view thereof;
FIG. 6 is a top plan view thereof; and,
FIG. 7 is a bottom plan view thereof.
The broken lines depict portions of the box that form no part
of the claimed design.

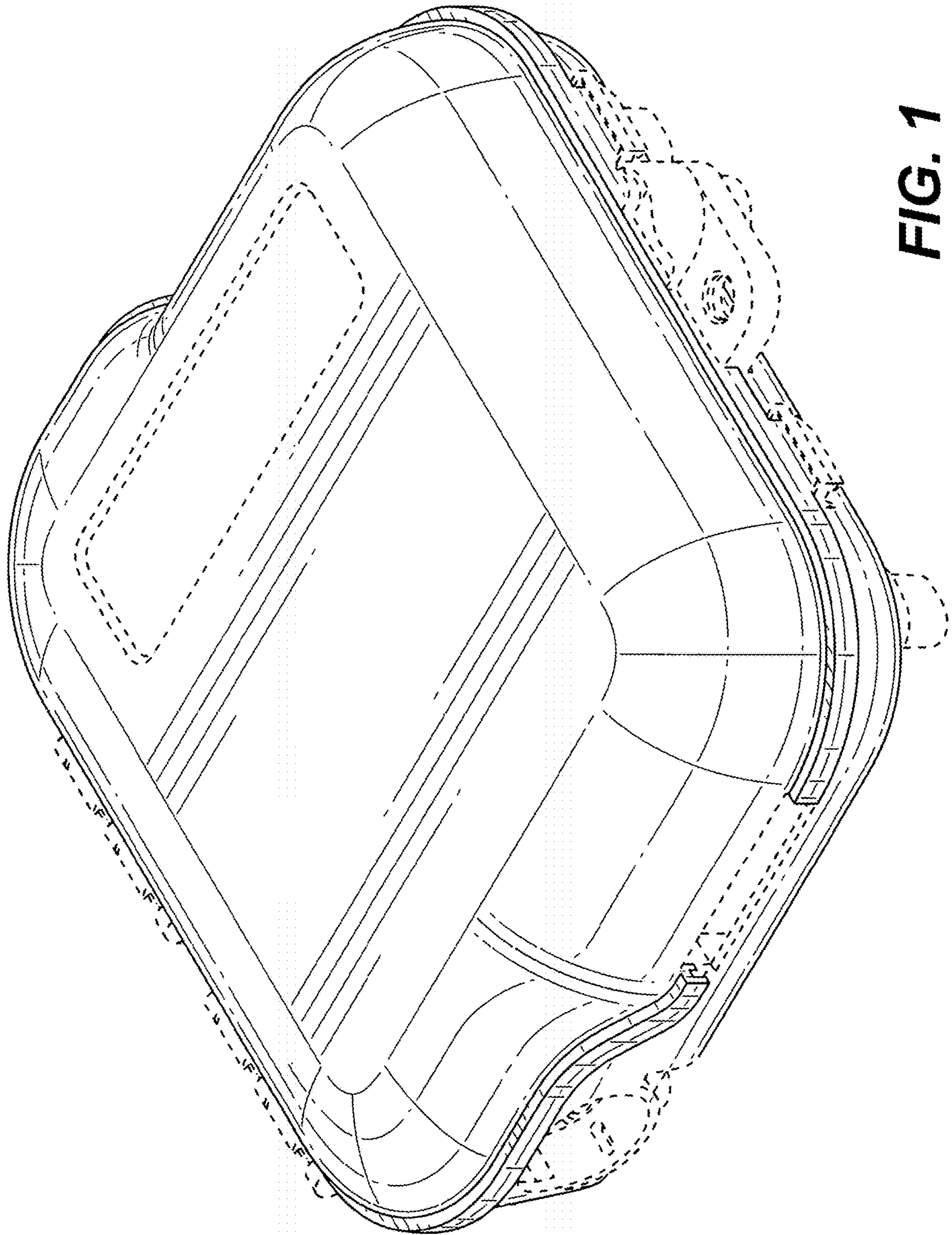
(56) **References Cited**

U.S. PATENT DOCUMENTS

D376,329 S * 12/1996 Youabian D10/104.1
D660,260 S * 5/2012 Brink D13/184
D660,261 S * 5/2012 Huang D13/184
D726,134 S * 4/2015 Prendes D10/104.1
D738,835 S * 9/2015 Bush D13/184
D739,834 S * 9/2015 Bush D13/184
D739,835 S * 9/2015 Bush D13/184
D739,836 S * 9/2015 Bush D13/184
D739,837 S * 9/2015 Bush D13/184

1 Claim, 7 Drawing Sheets





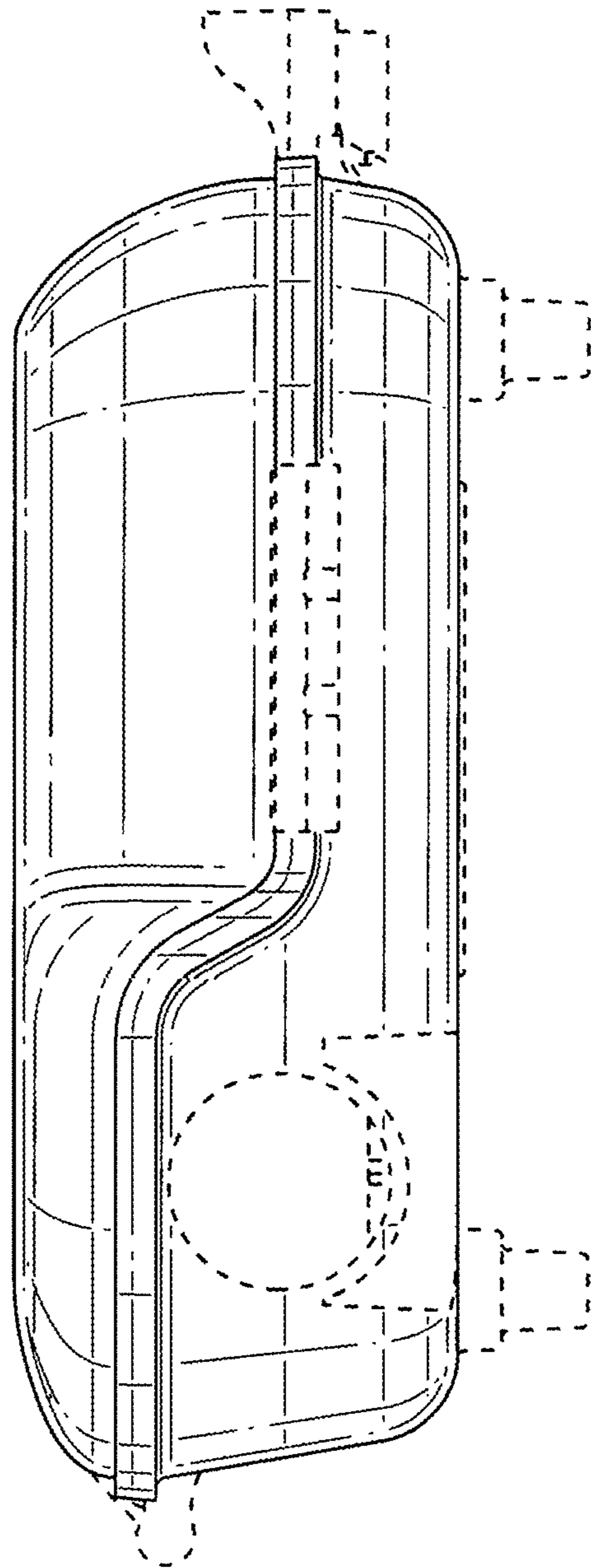


FIG. 2

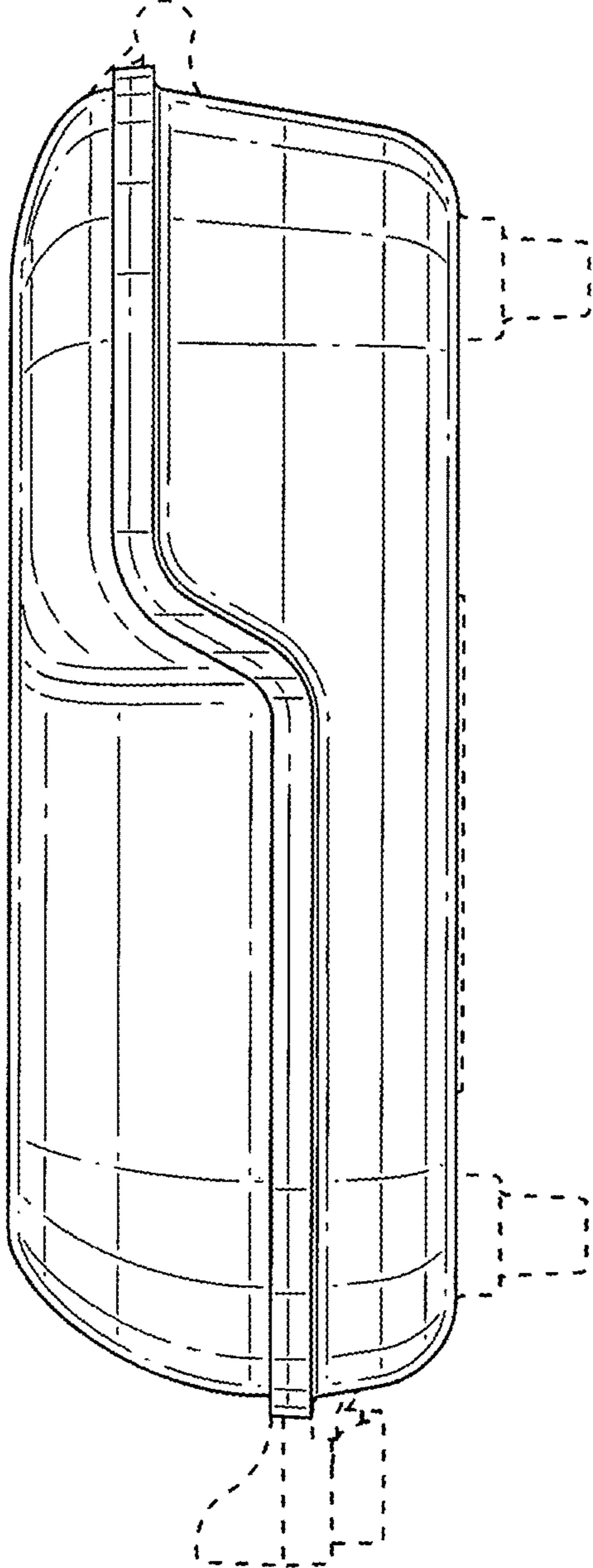


FIG. 3

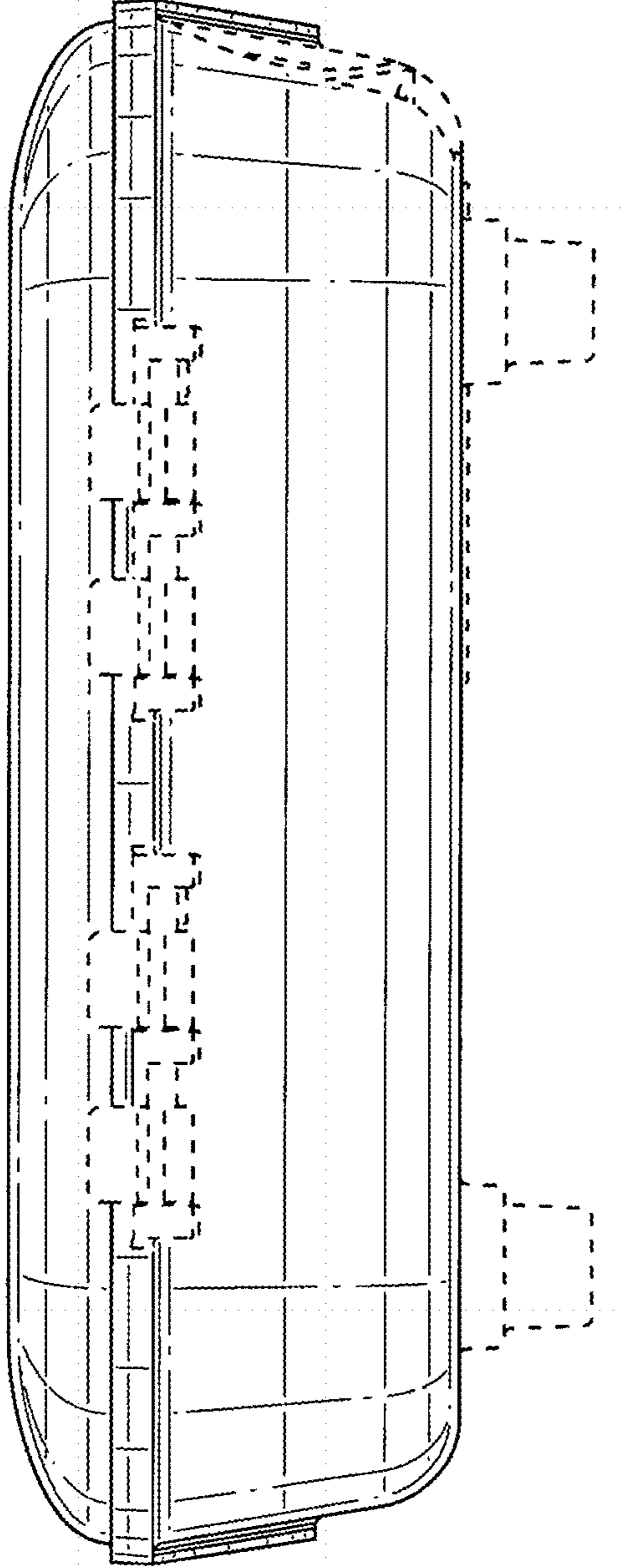


FIG. 4

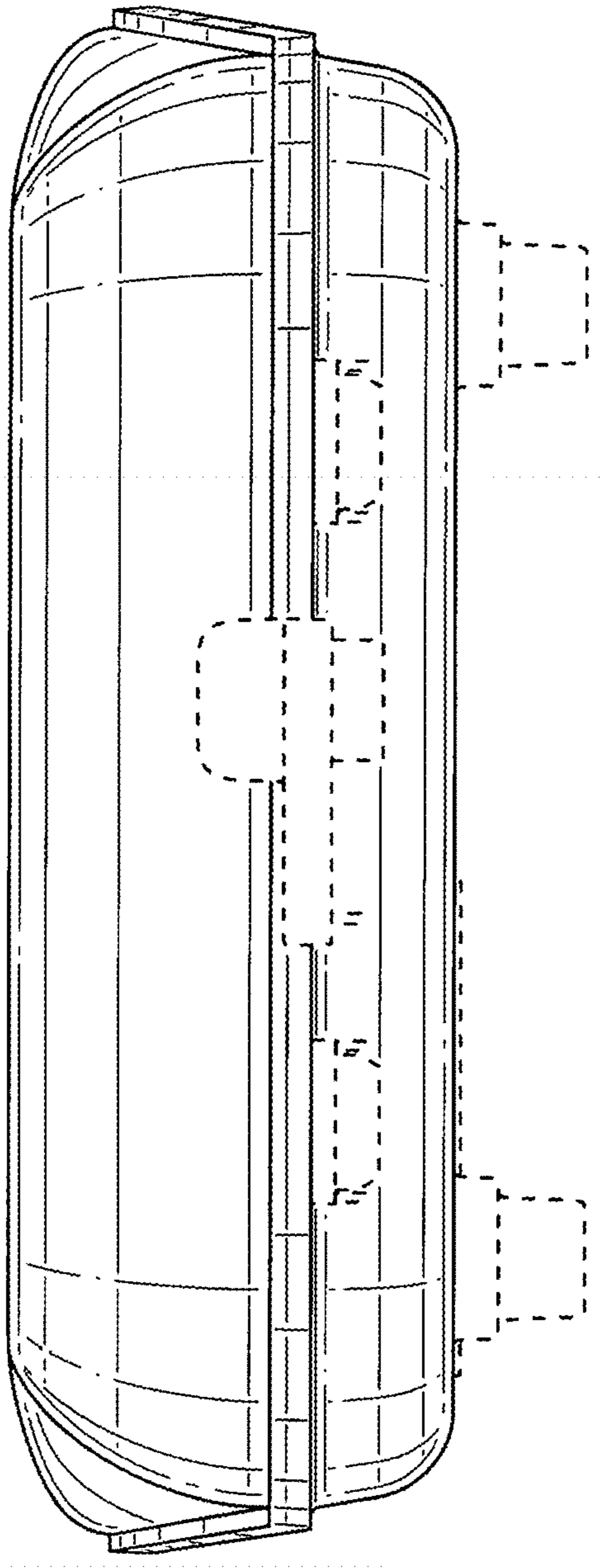


FIG. 5

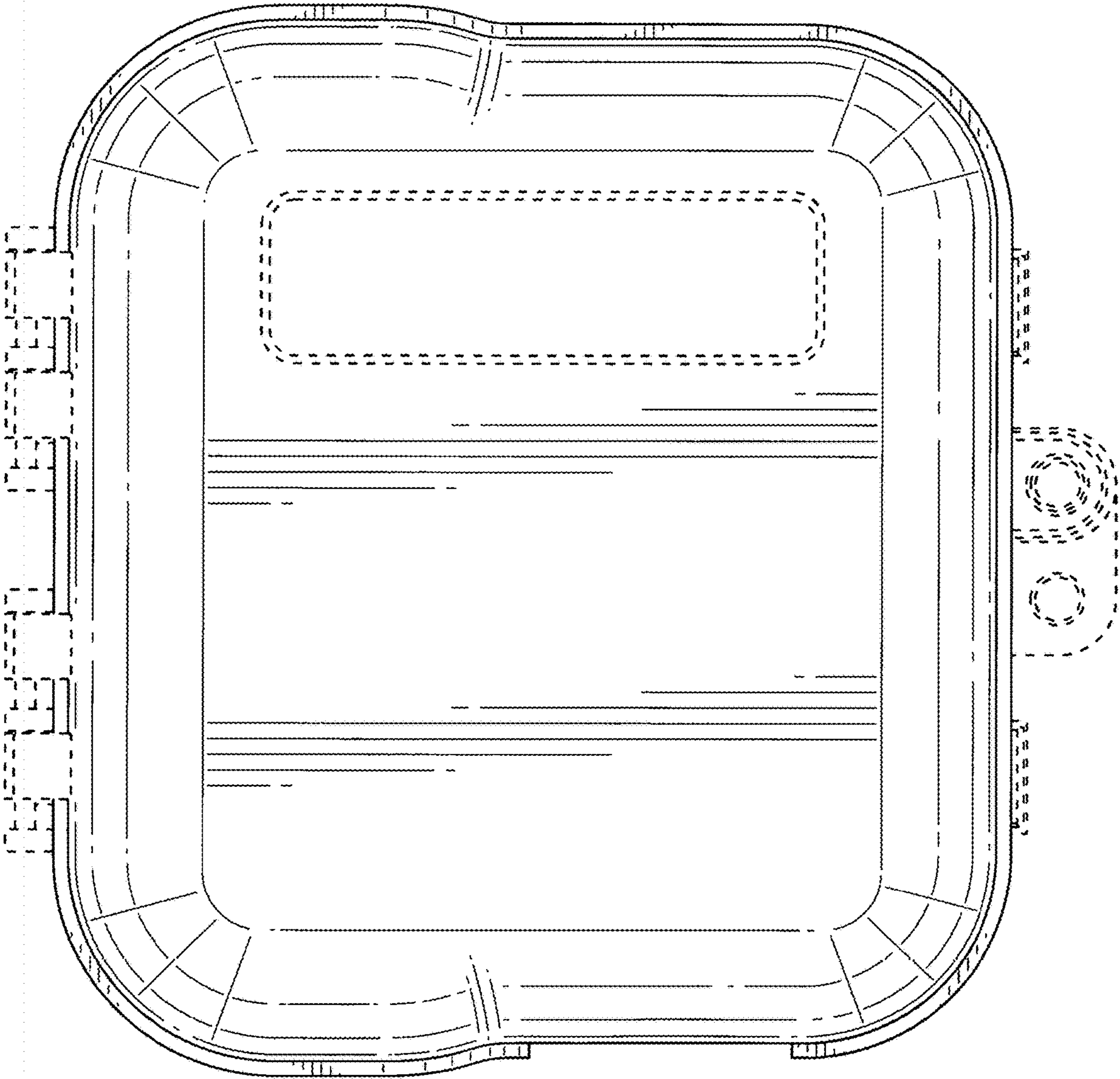


FIG. 6

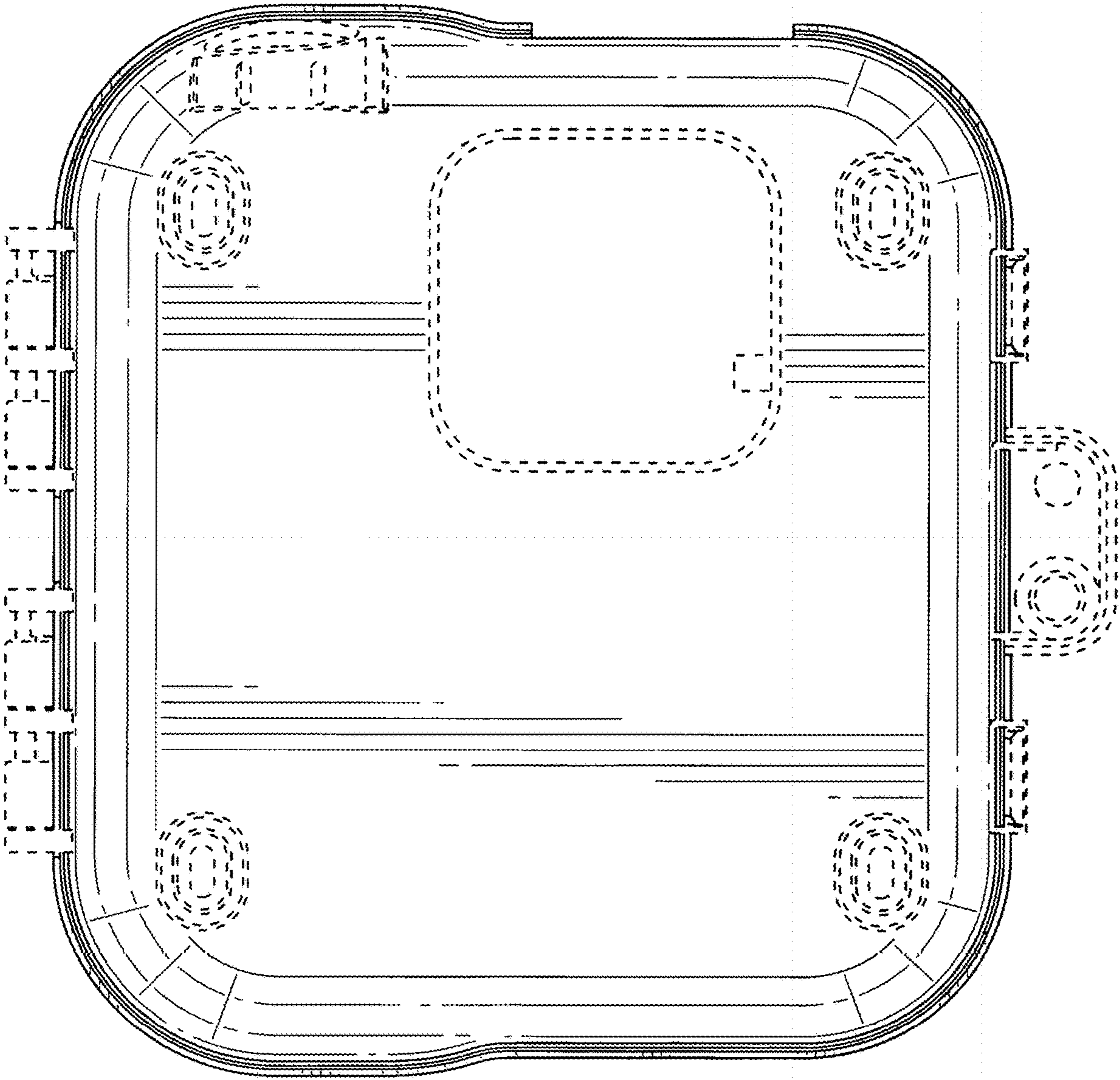


FIG. 7