



US00D880433S

(12) **United States Design Patent**
Woo

(10) **Patent No.:** **US D880,433 S**

(45) **Date of Patent:** **** Apr. 7, 2020**

(54) **SWITCH**

(71) Applicant: **Chu Kwok Woo**, Kowloon (HK)

(72) Inventor: **Chu Kwok Woo**, Kowloon (HK)

(73) Assignee: **Group Intellect Technology Limited**,
Kowloon (HK)

(**) Term: **15 Years**

(21) Appl. No.: **29/677,432**

(22) Filed: **Jan. 21, 2019**

(51) **LOC (12) Cl.** **13-03**

(52) **U.S. Cl.**
USPC **D13/171**

(58) **Field of Classification Search**
USPC D13/162, 171, 174, 177; D7/405, 406
CPC .. H01H 3/12; H01H 9/02; H01H 9/16; H01H
9/18; H01H 9/181; H01H 9/182; H01H
13/04; H01H 13/14; H01H 2009/187;
G06F 3/0362

See application file for complete search history.

(56) **References Cited**

U.S. PATENT DOCUMENTS

D362,841 S *	10/1995	Roza	D13/171
5,495,081 A *	2/1996	Ipcinski	H01H 13/14 200/276.1
D432,998 S *	10/2000	Decosse	D13/174
D437,835 S *	2/2001	Decosse	D13/174
D507,543 S *	7/2005	Ishii	D13/174
D537,317 S *	2/2007	Jackson, Jr.	D8/300
D546,661 S *	7/2007	Jackson, Jr.	D8/302
D593,510 S *	6/2009	Chen	D13/171
D611,916 S *	3/2010	Wu	D13/171

9,562,507 B2 *	2/2017	Sago	F02N 11/0807
2012/0075063 A1 *	3/2012	Sakamoto	B60R 25/04 340/5.62
2012/0199461 A1 *	8/2012	Shim	B60R 25/00 200/52 R
2014/0104796 A1 *	4/2014	Nohra	G08C 23/04 361/752
2015/0170850 A1 *	6/2015	Kirita	H01H 13/52 200/314
2015/0214606 A1 *	7/2015	Sano	H01Q 7/08 343/721
2016/0155591 A1 *	6/2016	Miura	H01F 27/325 335/202
2018/0047528 A1 *	2/2018	Yamamoto	H01H 13/20
2019/0088422 A1 *	3/2019	Thizon	F16J 15/064
2019/0107097 A1 *	4/2019	Imai	B60K 37/06

* cited by examiner

Primary Examiner — Selina Sikder

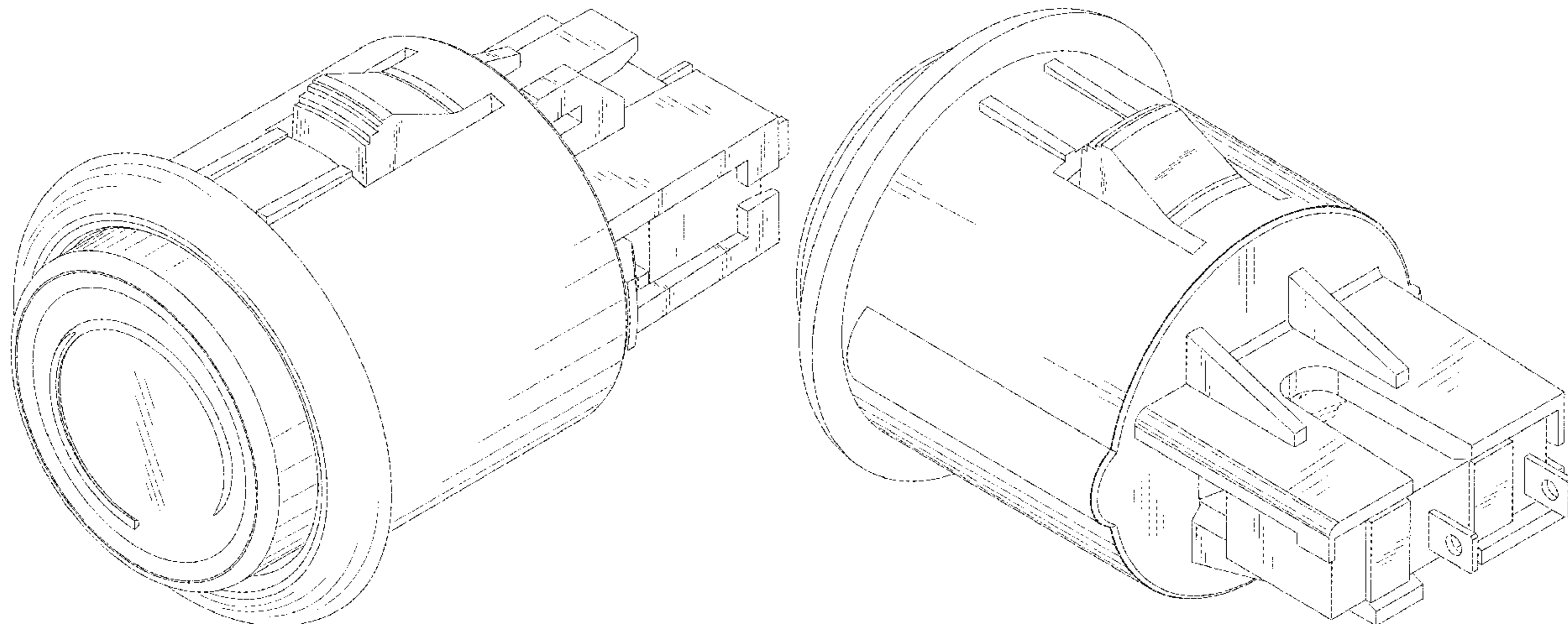
(57) **CLAIM**

The ornamental design for a switch, as shown and described.

DESCRIPTION

FIG. 1 is a front perspective view of the switch showing my new design;
FIG. 2 is a rear perspective view thereof;
FIG. 3 is a front elevational view thereof;
FIG. 4 is a rear elevational view thereof;
FIG. 5 is a left side elevational view thereof;
FIG. 6 is a right side elevational view thereof;
FIG. 7 is a top plan view thereof; and,
FIG. 8 is a bottom plan view thereof.
The broken lines depict the structure that forms no part of the claimed design.

1 Claim, 8 Drawing Sheets



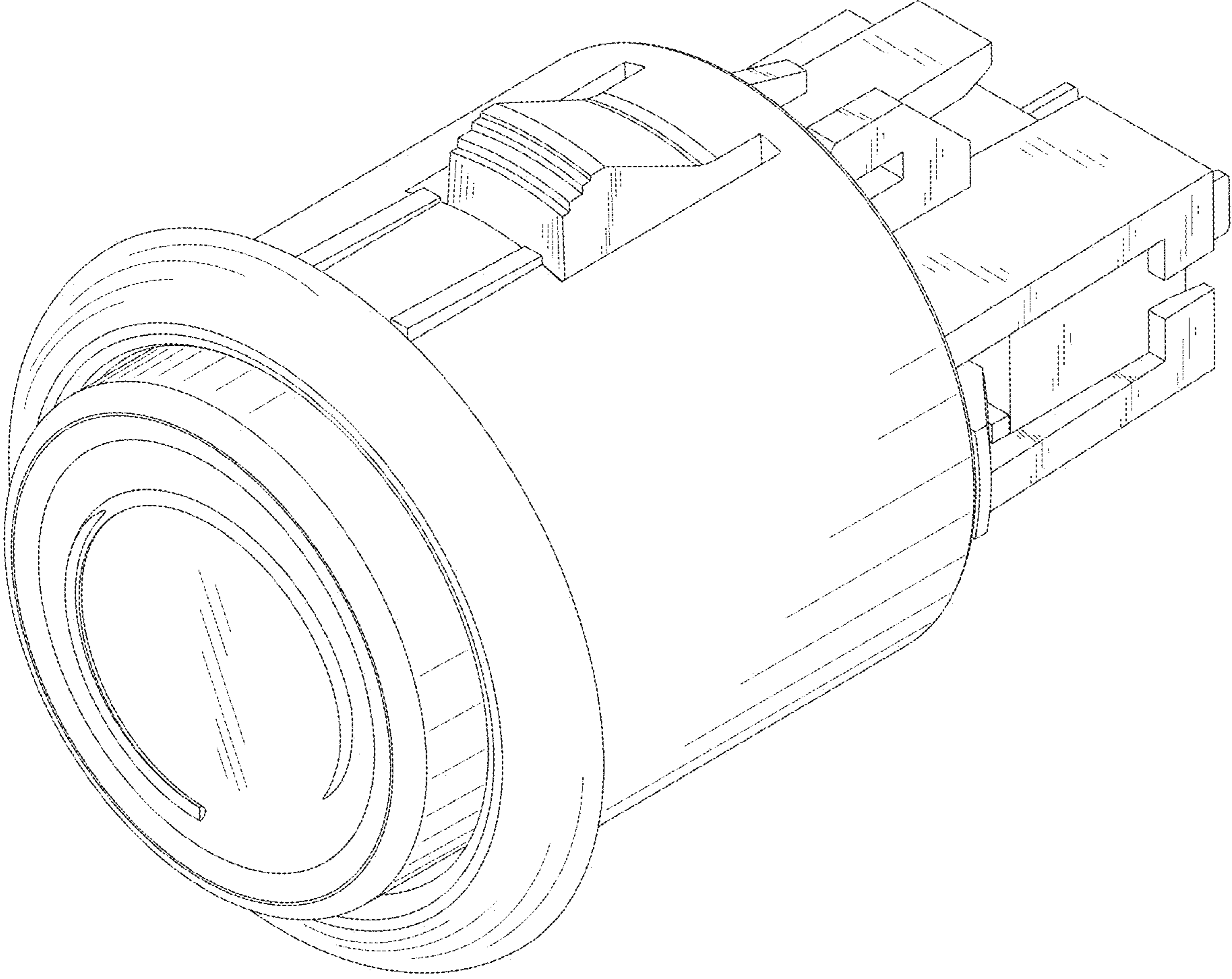


FIG.1

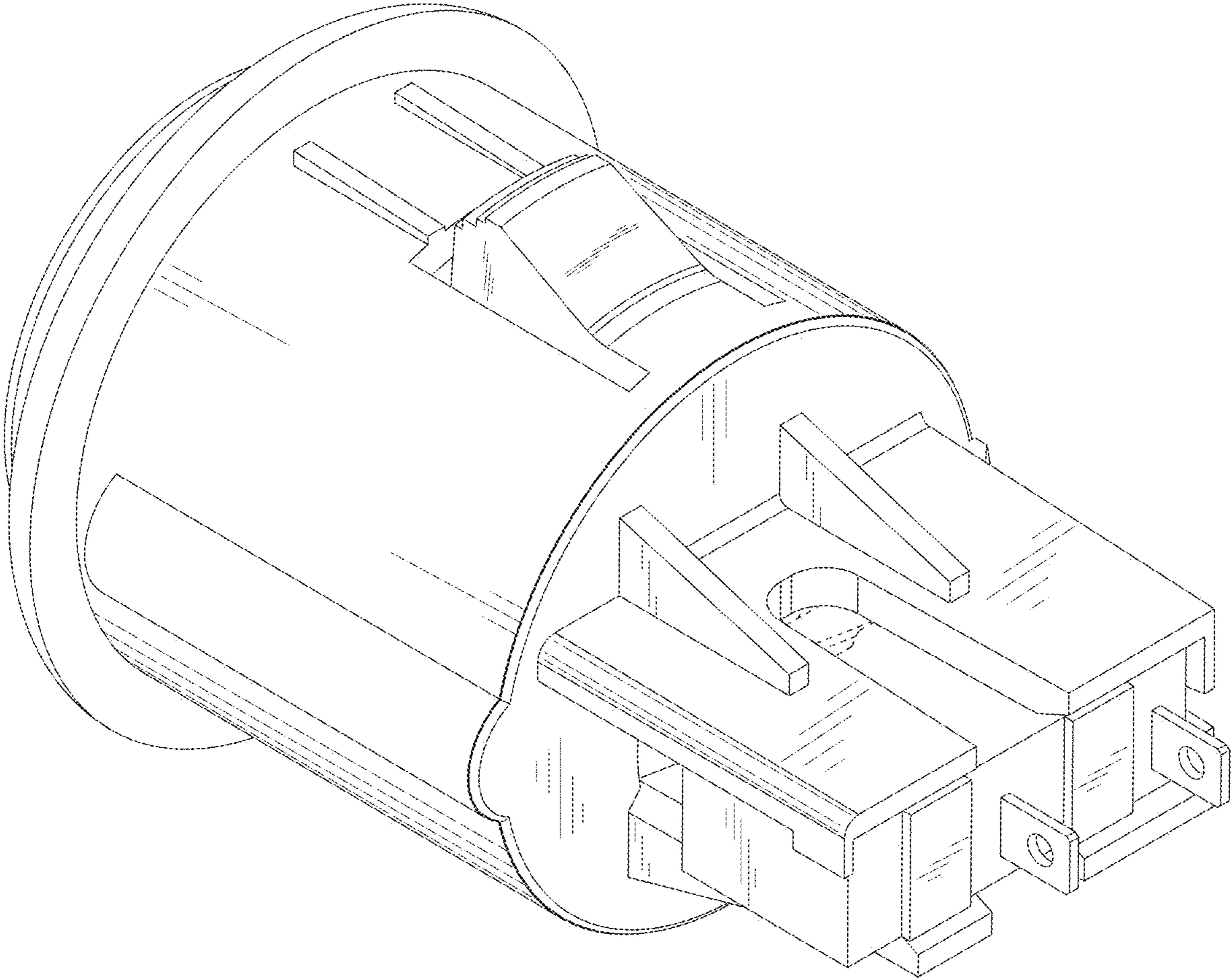


FIG.2

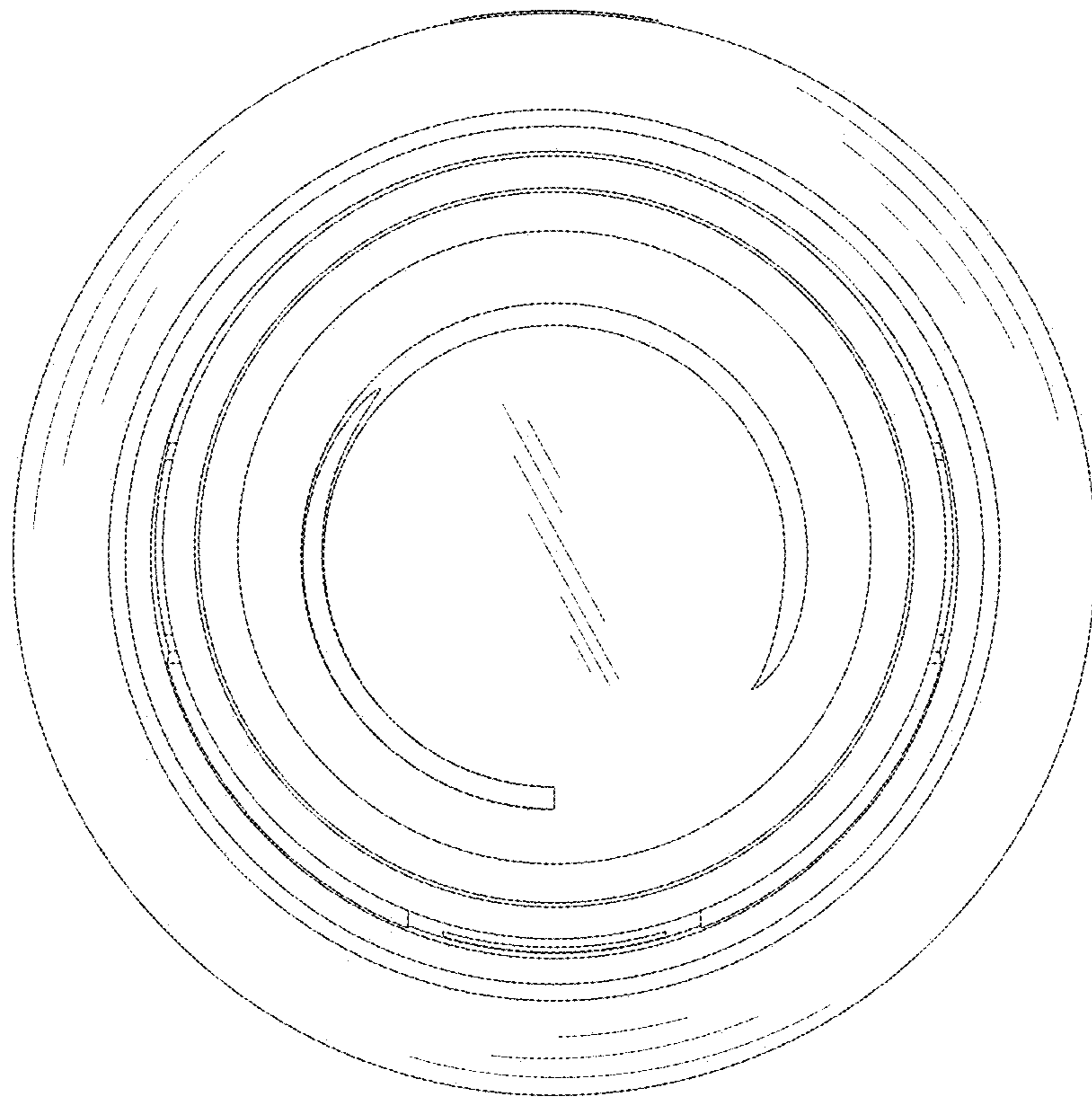


FIG.3

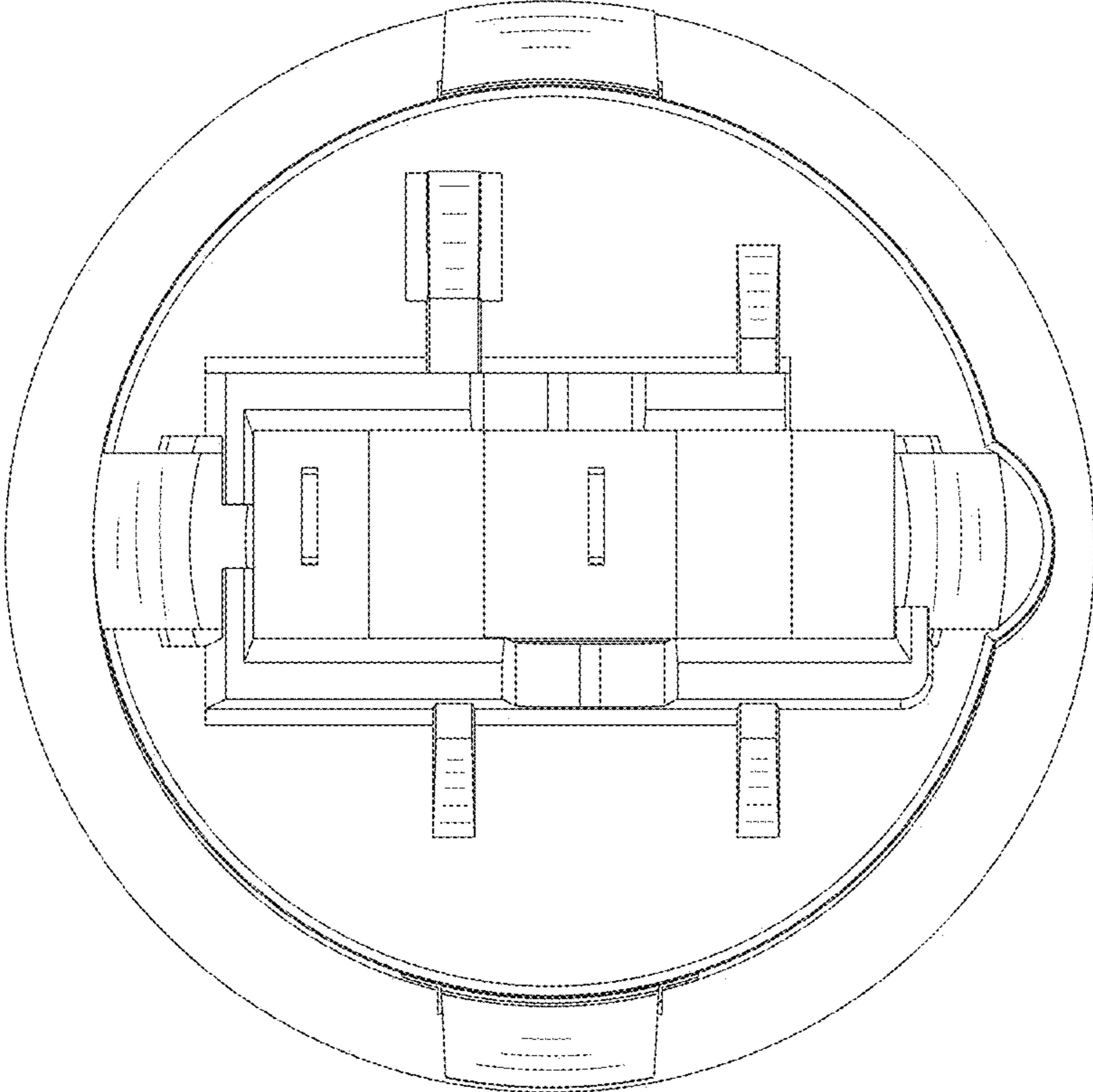


FIG.4

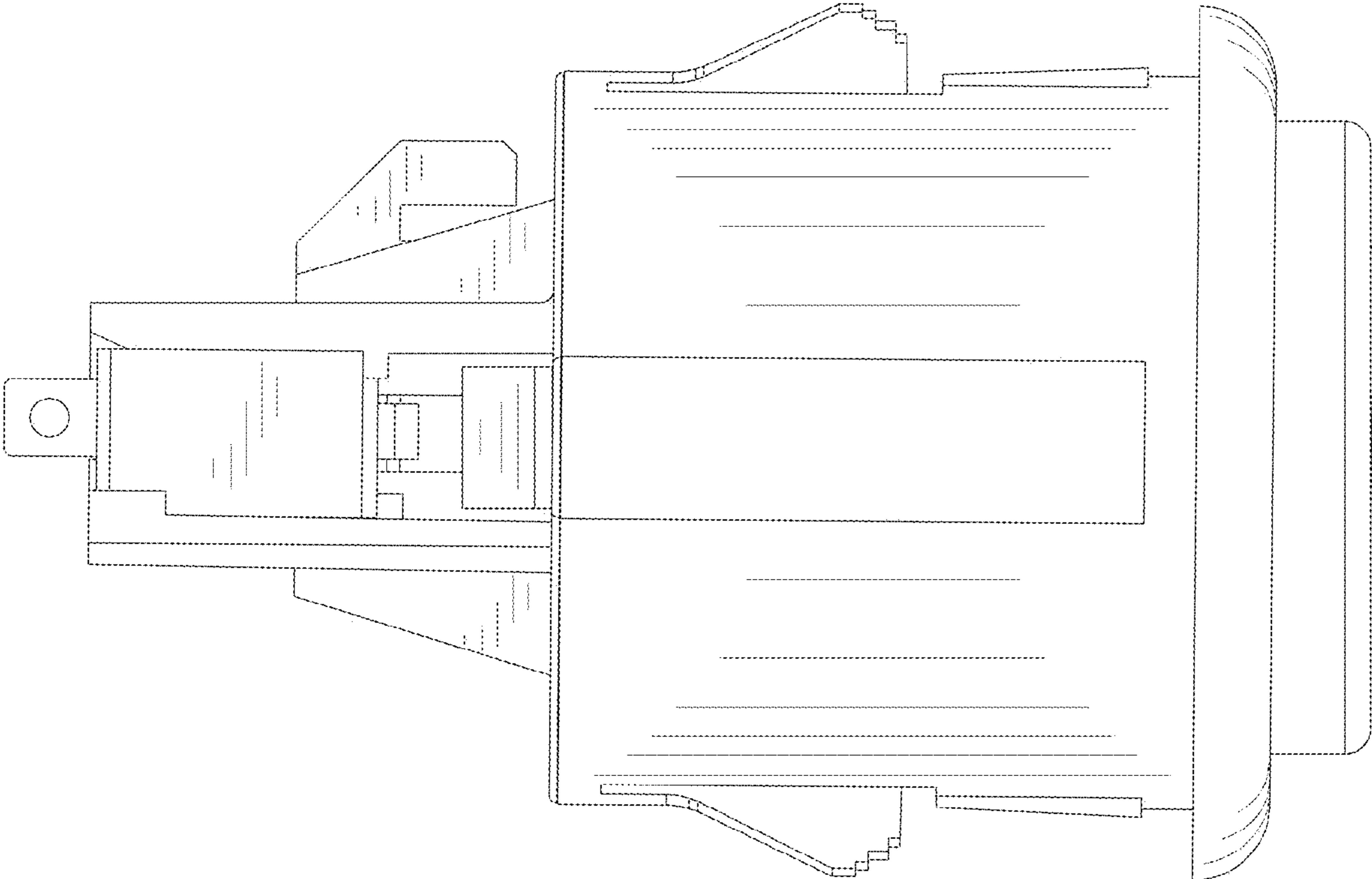


FIG.5

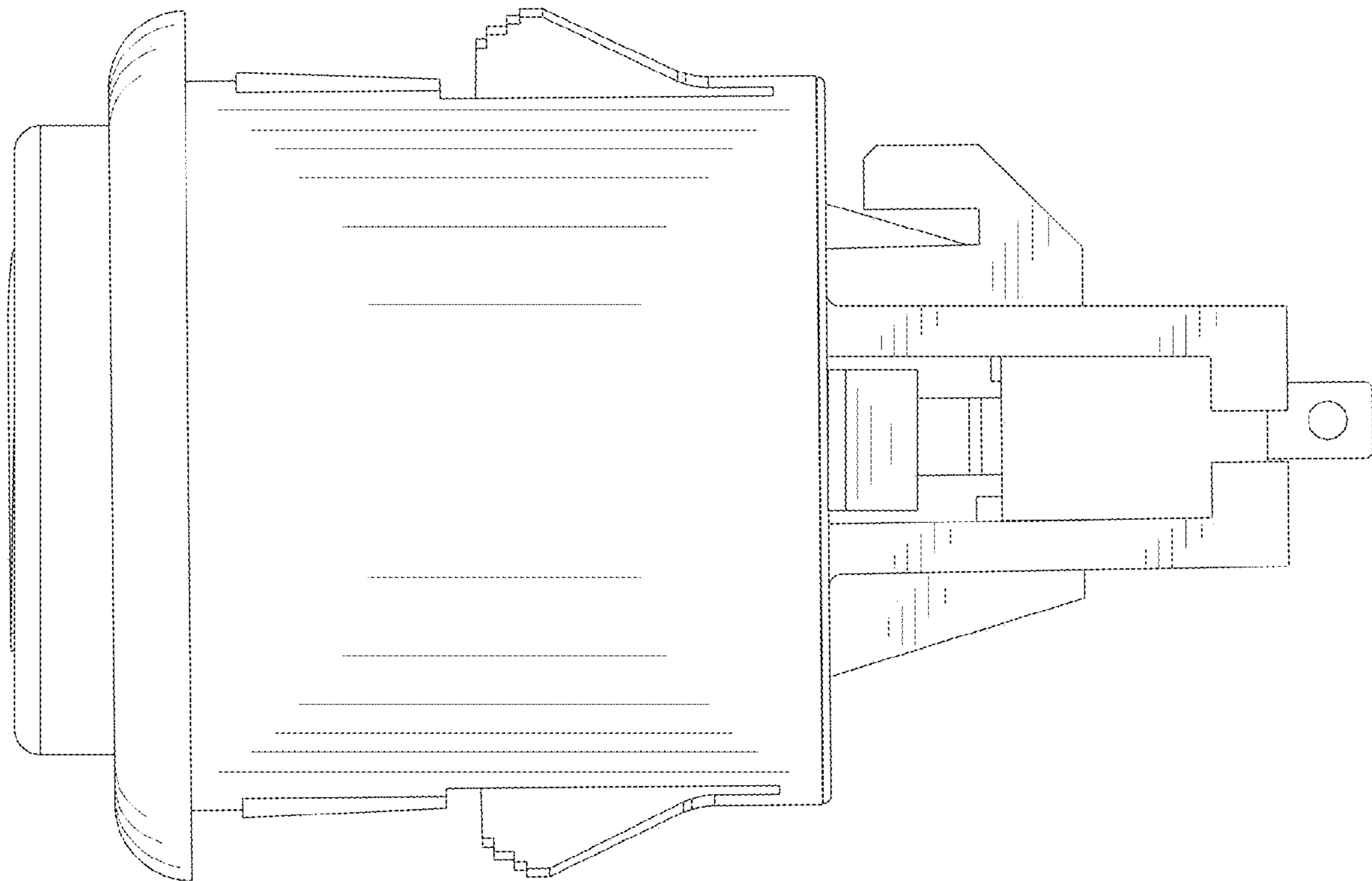


FIG.6

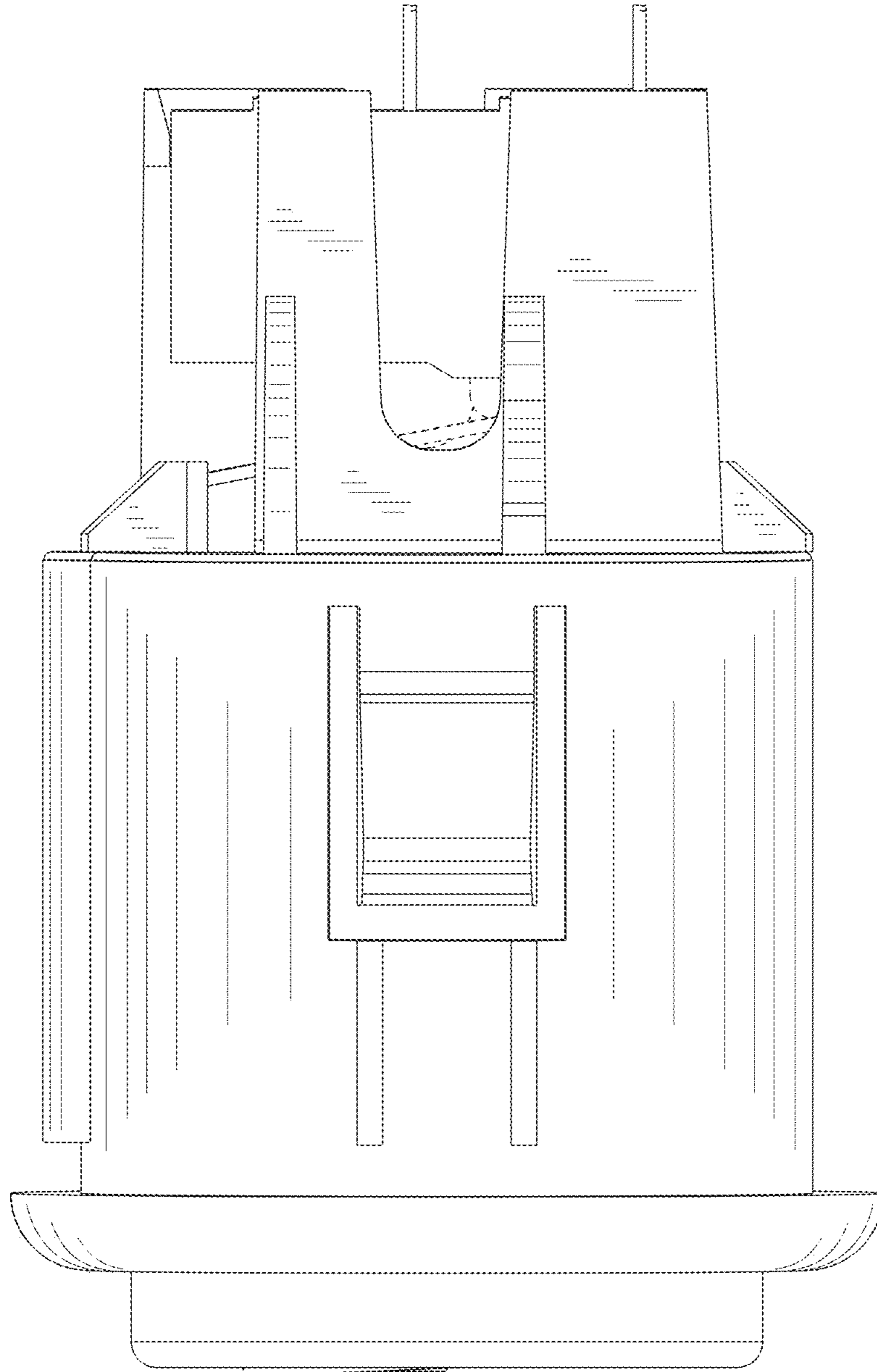


FIG.7

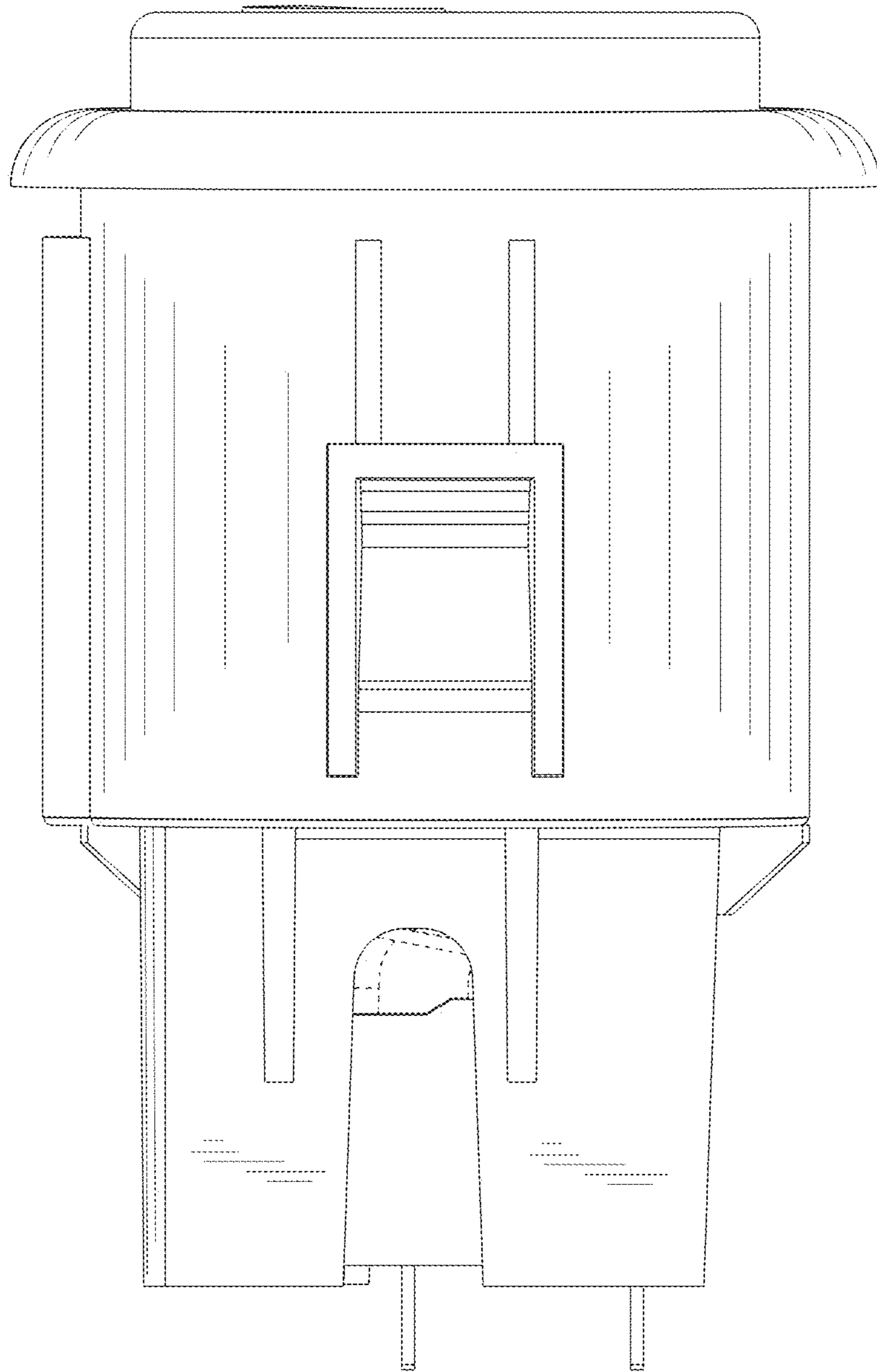


FIG.8