



US00D880431S

(12) **United States Design Patent**
Fretz et al.

(10) **Patent No.:** **US D880,431 S**
(45) **Date of Patent:** **** Apr. 7, 2020**

(54) **REMOTE**
(71) Applicant: **Warn Industries, Inc.**, Clackamas, OR (US)
(72) Inventors: **Darren G. Fretz**, Oregon City, OR (US); **Christopher J. Boudreau**, Estacada, OR (US); **Thomas R. Paasch**, Milwaukie, OR (US)
(73) Assignee: **WARN INDUSTRIES, INC.**, Clackamas, OR (US)

(**) Term: **15 Years**

(21) Appl. No.: **29/617,152**

(22) Filed: **Sep. 12, 2017**

(51) **LOC (12) Cl.** **14-03**

(52) **U.S. Cl.**
USPC **D13/168**

(58) **Field of Classification Search**
USPC D13/168; D14/218, 429; D34/33; 340/12.22
CPC ... B66D 1/40; B66D 1/42; B66D 1/46; B66D 3/20; G08C 17/00; G08C 17/02
See application file for complete search history.

(56) **References Cited**

U.S. PATENT DOCUMENTS

4,845,650 A * 7/1989 Meade G07B 1/00 101/66
7,902,990 B2 * 3/2011 Delmonico H02J 7/0047 340/539.11

D640,442 S * 6/2011 Bortrager D34/33
8,350,672 B2 * 1/2013 Munzebrock G08C 17/02 340/12.22
D713,803 S * 9/2014 Bouyer D13/168
D714,167 S * 9/2014 Hyllbrant D10/46
D715,230 S * 10/2014 Rantala D13/168
9,463,964 B2 * 10/2016 Heravi B66D 1/40
D784,934 S * 4/2017 Fretz D13/168
2016/0046468 A1 * 2/2016 Heravi B66D 1/40 715/835

* cited by examiner

Primary Examiner — Selina Sikder

(74) *Attorney, Agent, or Firm* — K&L Gates LLP

(57) **CLAIM**

The ornamental design for a remote, as shown and described.

DESCRIPTION

FIG. 1 is a perspective view of a design of a remote according to the present disclosure.

FIG. 2 is a back view of the remote of FIG. 1.

FIG. 3 is a front view of the remote of FIG. 1.

FIG. 4 is a right side view of the remote of FIG. 1.

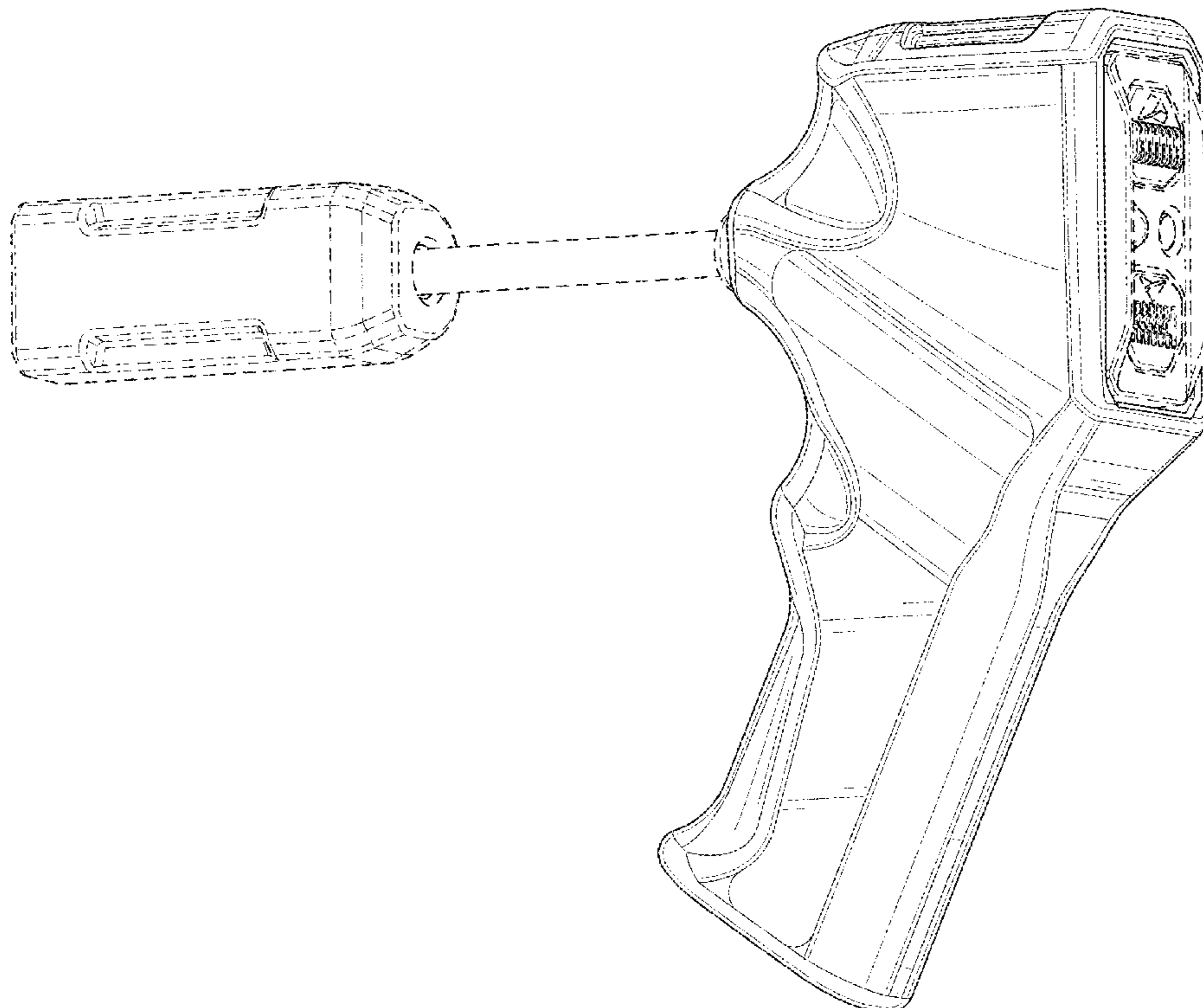
FIG. 5 is a left side view of the remote of FIG. 1.

FIG. 6 is a top view of the remote of FIG. 1; and,

FIG. 7 is a bottom view of the remote of FIG. 1.

The broken lines in FIGS. 1-7 are included for the purpose of illustrating environmental structure and form no part of the claimed design.

1 Claim, 6 Drawing Sheets



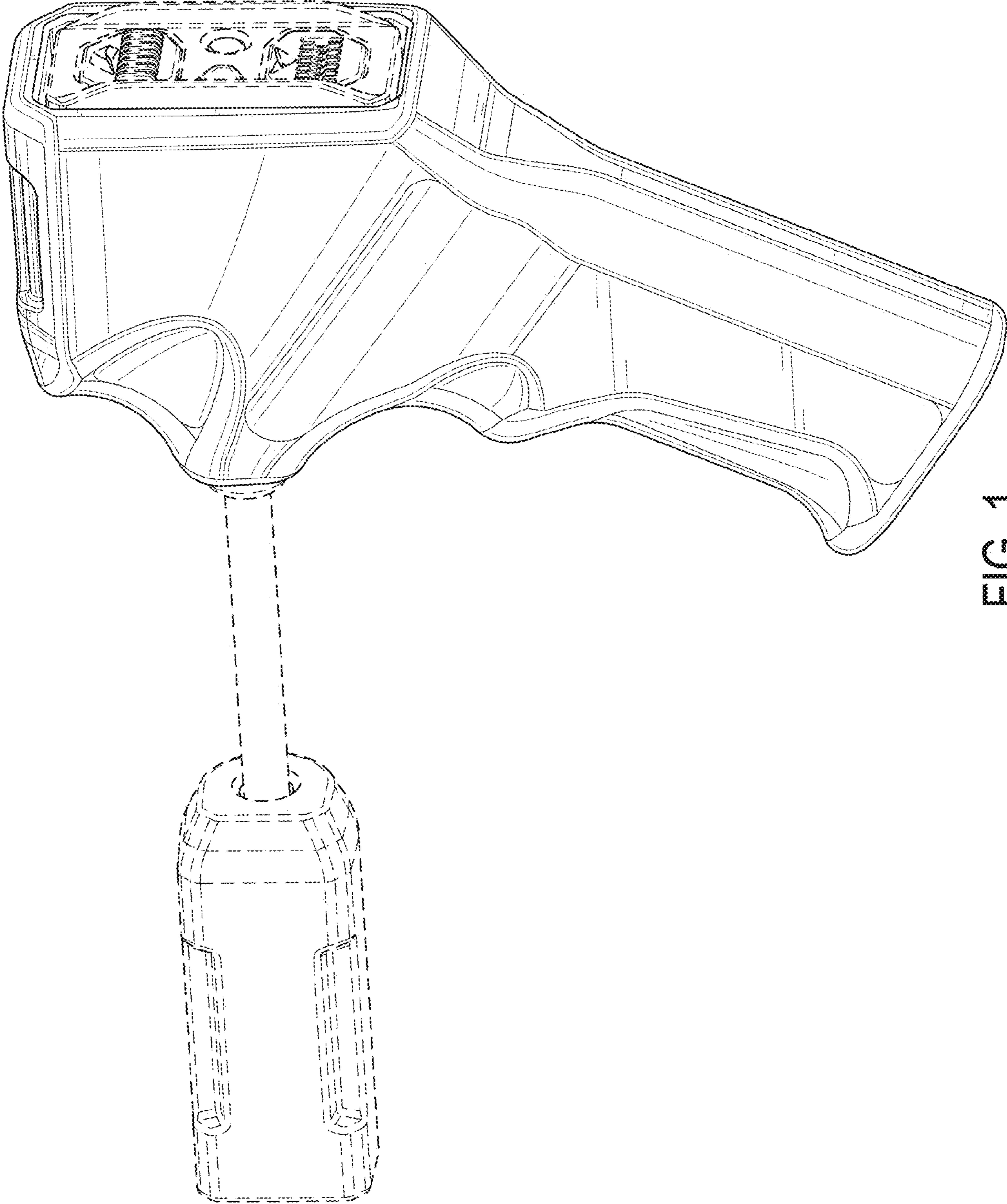


FIG. 1

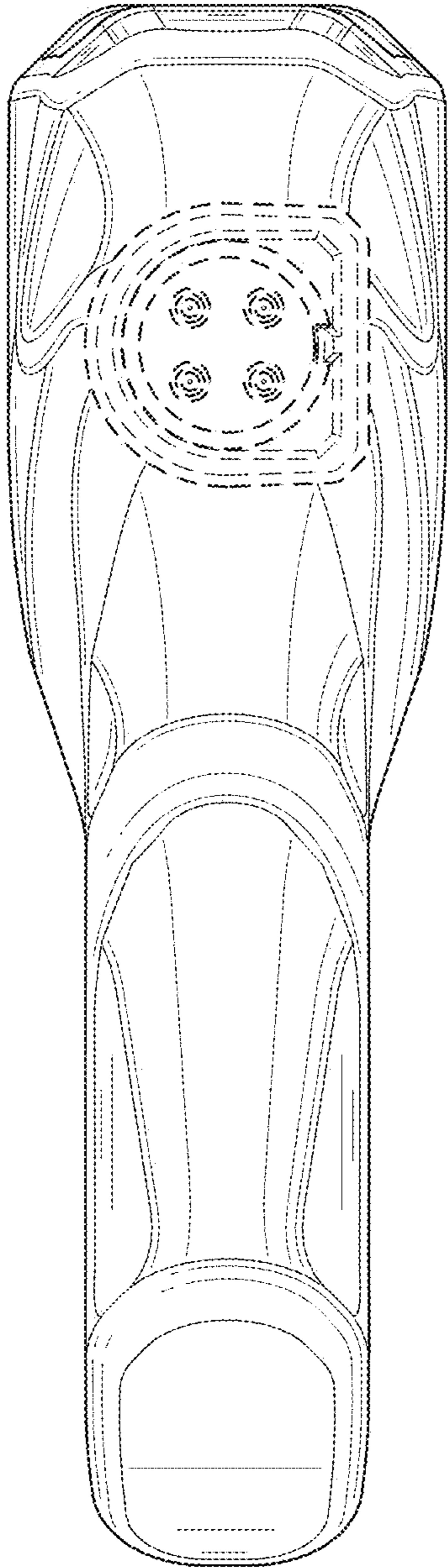


FIG. 2

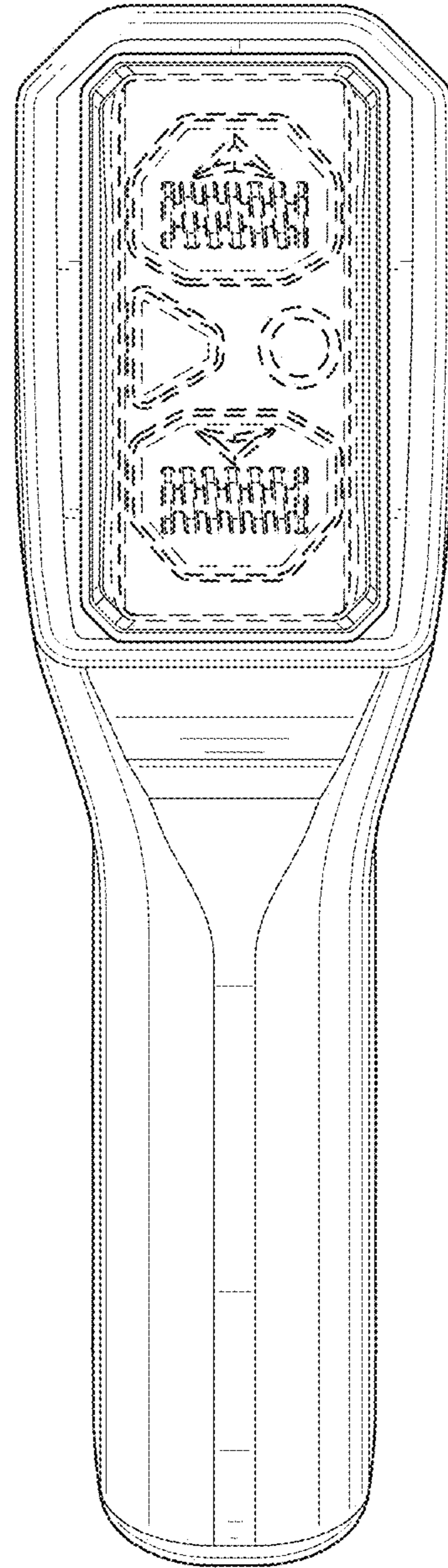


FIG. 3

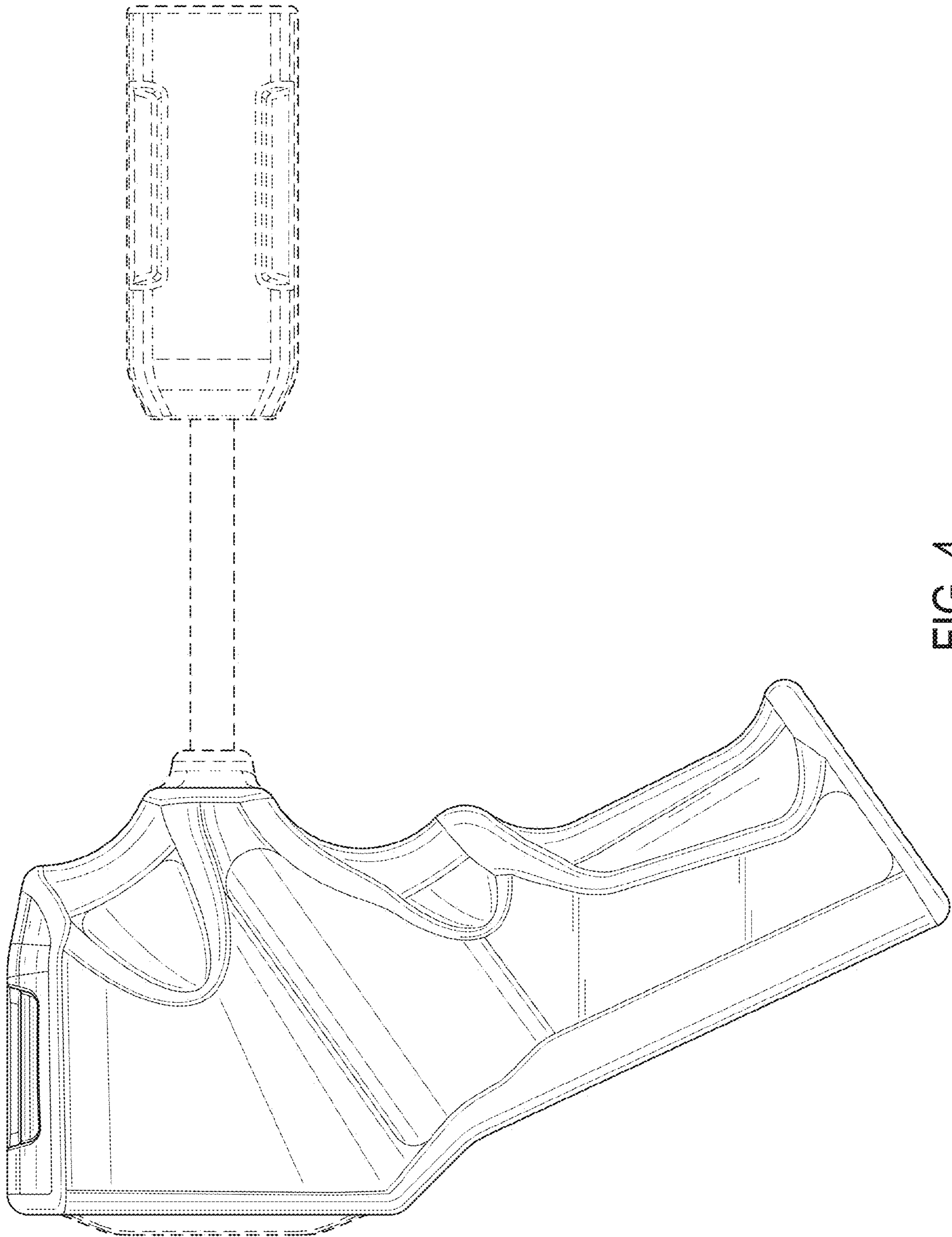


FIG. 4

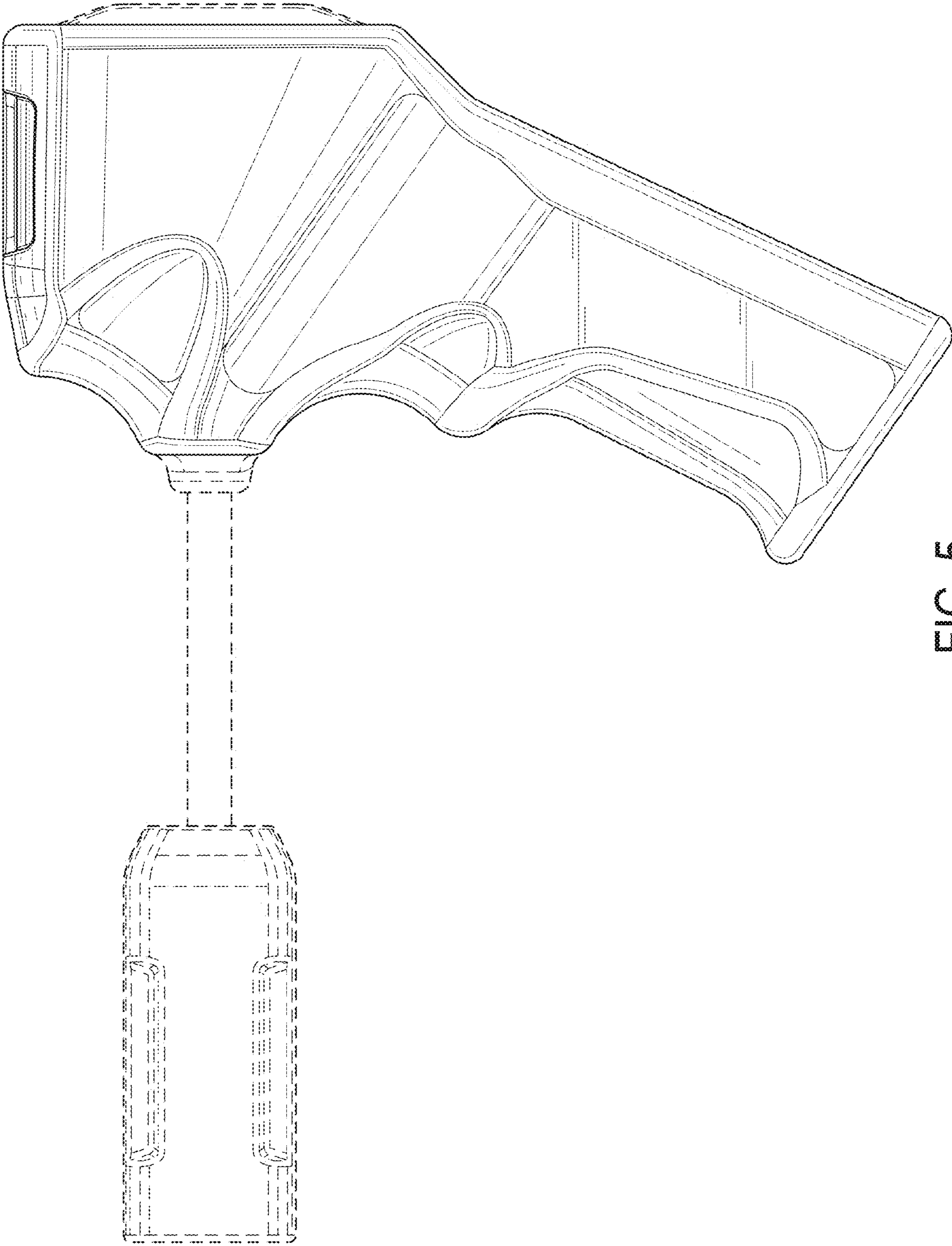


FIG. 5

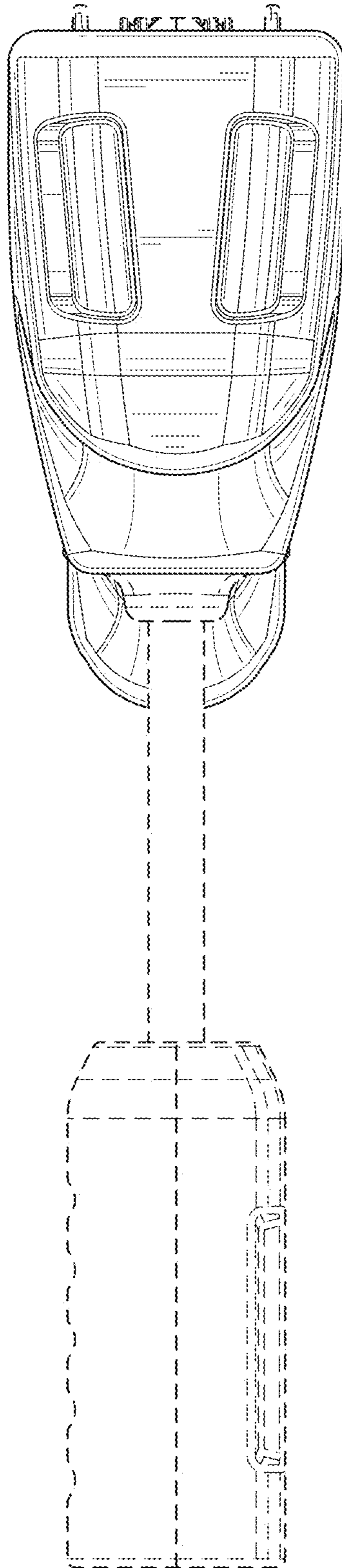


FIG. 6

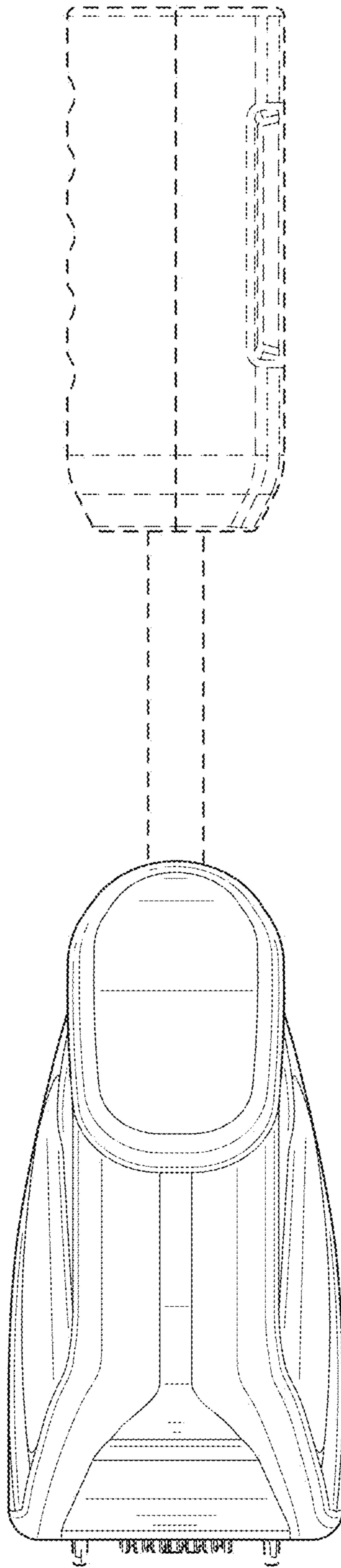


FIG. 7