



US00D880430S

(12) **United States Design Patent** (10) **Patent No.:** **US D880,430 S**
Sugie (45) **Date of Patent:** **** Apr. 7, 2020**

(54) **DUCT FOR POWER AND ELECTRICAL CABLES**

(71) Applicant: **SUGIE SEITO CO., LTD.**, Aichi (JP)

(72) Inventor: **Shogo Sugie**, Aichi (JP)

(73) Assignee: **SUGIE SEITO CO., LTD.**, Aichi (JP)

(**) Term: **15 Years**

(21) Appl. No.: **29/617,378**

(22) Filed: **Sep. 13, 2017**

(30) **Foreign Application Priority Data**

Mar. 17, 2017 (EM) 003804749-0001
Mar. 17, 2017 (EM) 003804749-0002
Mar. 17, 2017 (EM) 003804749-0003
Mar. 17, 2017 (EM) 003804749-0004

(51) **LOC (12) Cl.** **13-03**

(52) **U.S. Cl.**
USPC **D13/155**

(58) **Field of Classification Search**
USPC D13/133, 146, 147, 151, 153, 154, 155,
D13/156; D3/208; D8/349, 382, 394,
D8/396

CPC B65H 75/36; H01R 13/5845; H01R 13/72;
H01R 31/06; H01R 11/00; H04M 1/15;
F16G 11/14; D06F 55/00; H02M
2001/0009; F02C 7/28; H02G 15/113

See application file for complete search history.

(56) **References Cited**

U.S. PATENT DOCUMENTS

5,251,373 A * 10/1993 DeCarlo H02G 1/14
156/48
5,787,219 A * 7/1998 Mueller G02B 6/4447
385/134

6,046,406 A * 4/2000 Milanowski H02G 15/013
174/77 R
D503,155 S * 3/2005 Noji D13/153
7,376,325 B1 * 5/2008 Cloud G02B 6/445
385/134
D758,320 S * 6/2016 Prince D13/155
D776,623 S * 1/2017 Jenkins D13/156
2006/0042814 A1 * 3/2006 Ball H02G 15/013
174/650
2012/0279749 A1 * 11/2012 Badura H02G 15/013
174/92
2014/0197958 A1 * 7/2014 Madden H02G 15/113
340/651
2014/0226945 A1 * 8/2014 Claessens H02G 15/013
385/135
2015/0071598 A1 * 3/2015 Badura G02B 6/4494
385/135
2016/0087352 A1 * 3/2016 Jaroschek H01R 4/36
439/801
2016/0285249 A1 * 9/2016 Zhai H02G 15/113
2018/0254621 A1 * 9/2018 Coenegracht H02G 3/22

* cited by examiner

Primary Examiner — Jennifer Rivard

Assistant Examiner — Alison M Ofstun

(74) *Attorney, Agent, or Firm* — Maier & Maier, PLLC

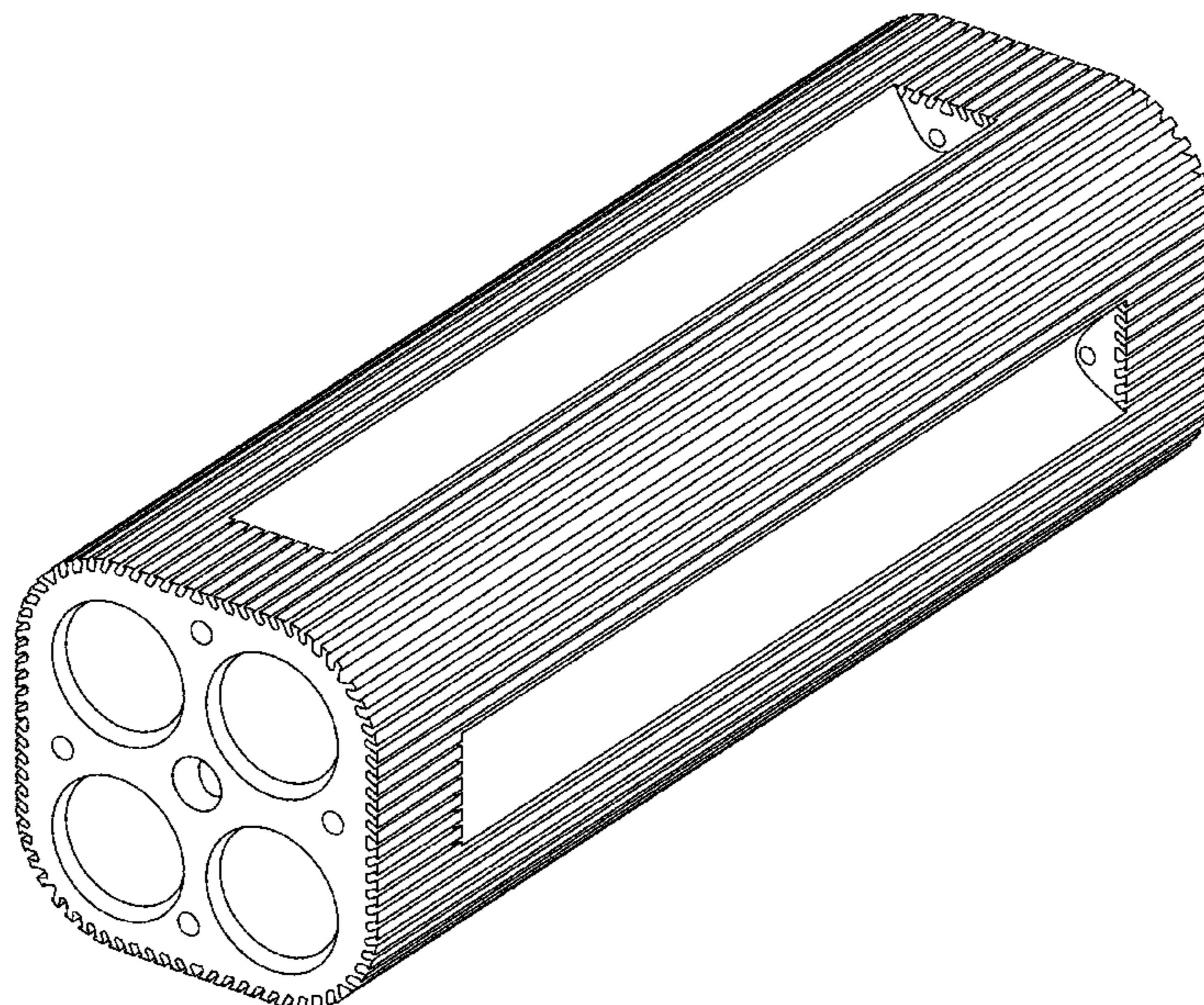
(57) **CLAIM**

The ornamental design for a duct for power and electrical cables, as shown and described.

DESCRIPTION

FIG. 1 is a front view of a duct for power and electrical cables, the rear view being a mirror image thereof; FIG. 2 is a right elevation view thereof, the left elevation view being a mirror image thereof; FIG. 3 is a top plan view thereof, the bottom plan view being a mirror image thereof; and, FIG. 4 is a perspective view thereof.

1 Claim, 4 Drawing Sheets



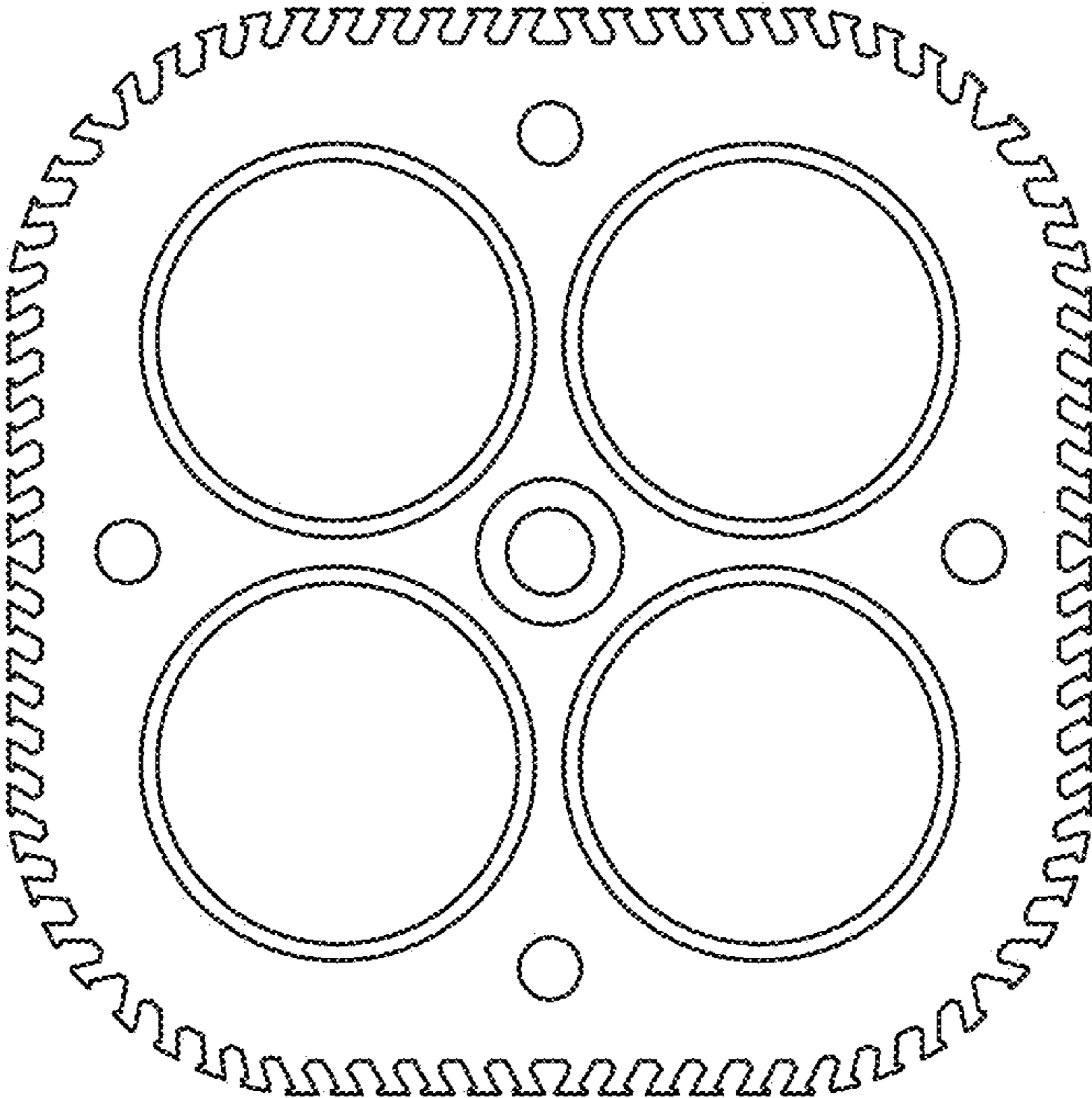


Fig. 1

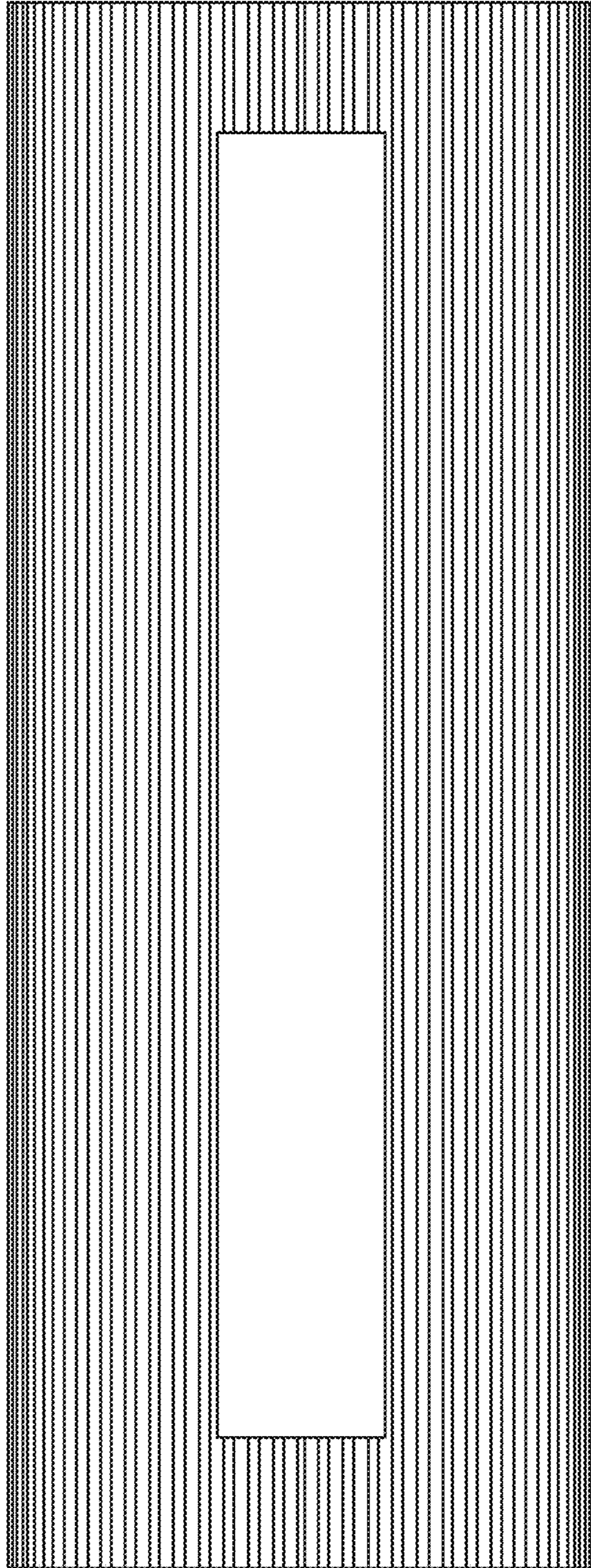


Fig. 2

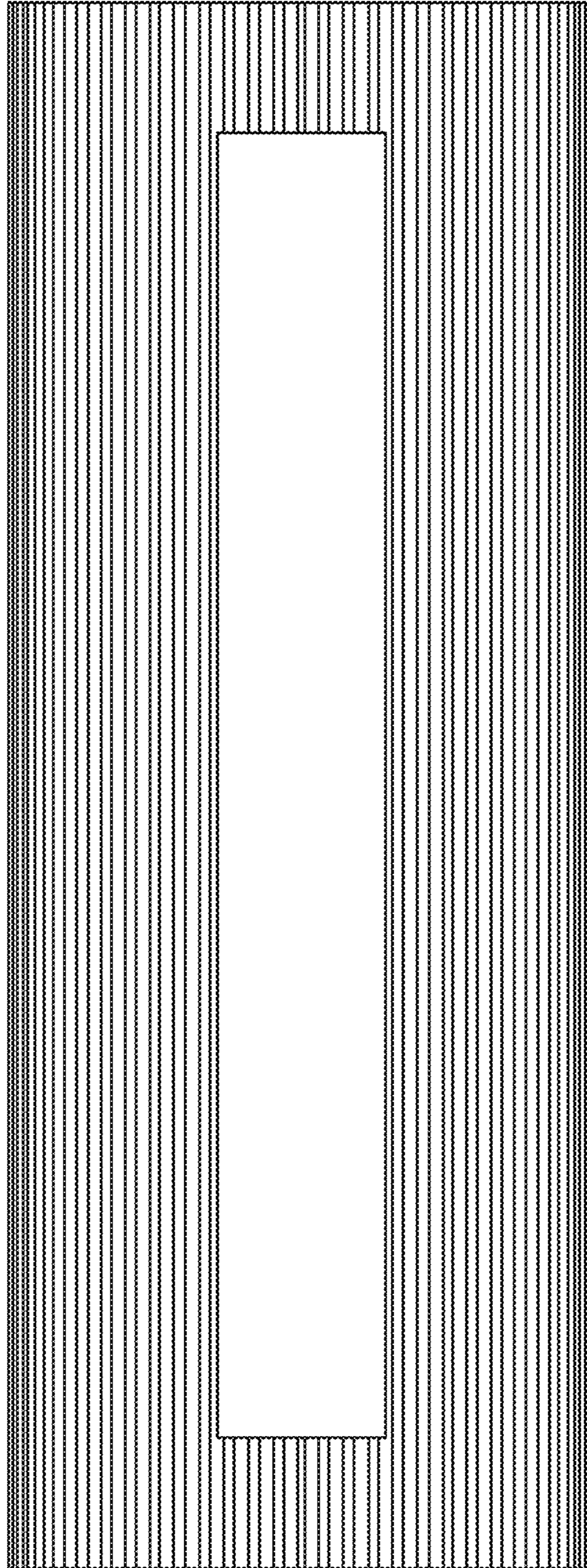


Fig. 3

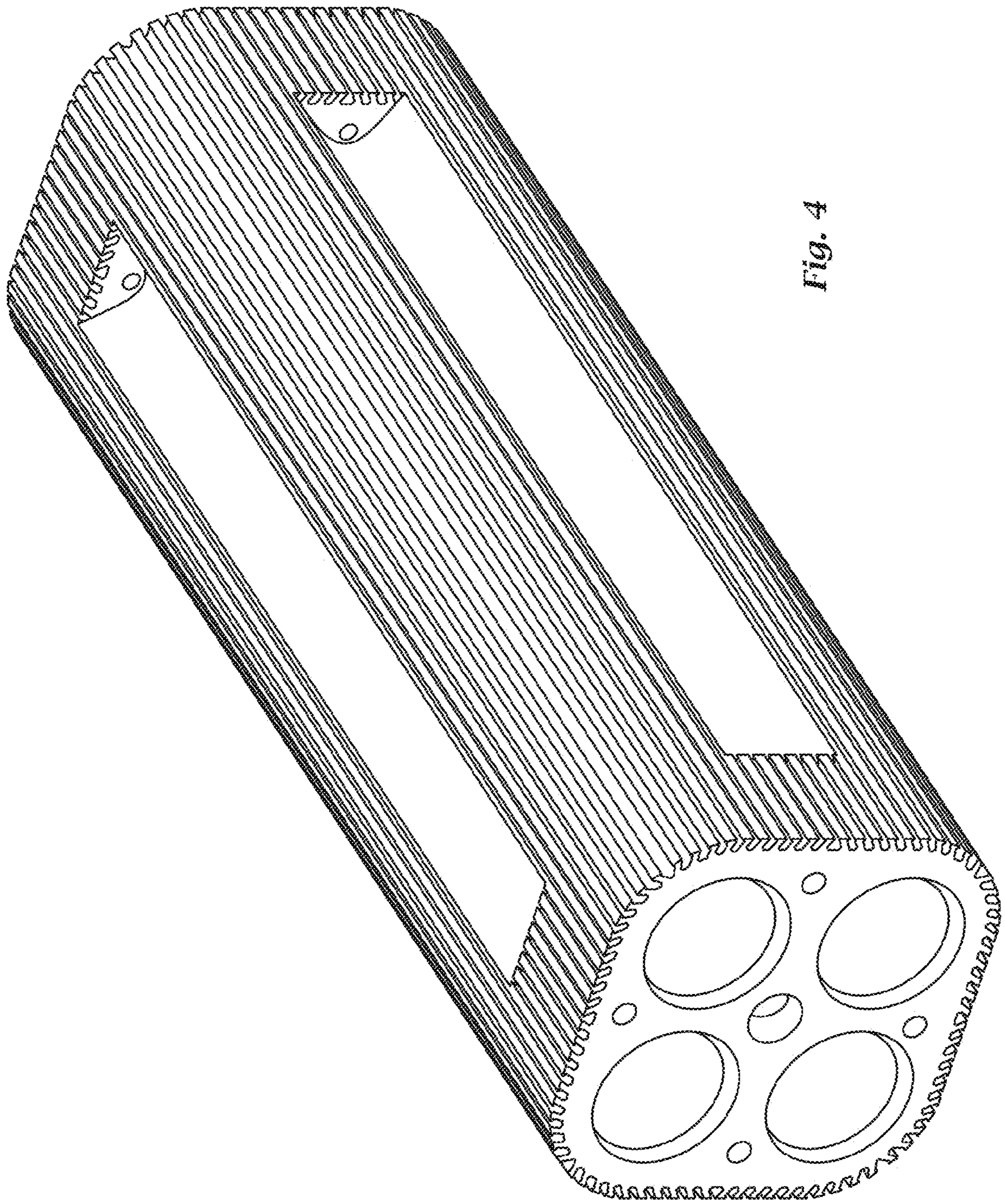


Fig. 4