



US00D880429S

(12) **United States Design Patent** (10) **Patent No.:** **US D880,429 S**
Wu (45) **Date of Patent:** **** Apr. 7, 2020**

(54) **DATA CABLE**
(71) Applicant: **Yinhong Wu**, Zhejiang (CN)
(72) Inventor: **Yinhong Wu**, Zhejiang (CN)
(**) Term: **15 Years**
(21) Appl. No.: **29/708,683**
(22) Filed: **Oct. 9, 2019**
(51) **LOC (12) Cl.** **13-03**
(52) **U.S. Cl.**
USPC **D13/153**
(58) **Field of Classification Search**
USPC D13/153, 147, 139.1–139.8, 133, 154;
D14/433
CPC H01R 13/6335; H01R 13/405
See application file for complete search history.

D826,173 S * 8/2018 Chen D13/147
D832,213 S * 10/2018 Wilfer D13/133
D832,263 S 10/2018 Chen
D839,837 S * 2/2019 Akana D13/147
D843,948 S * 3/2019 Akana D13/147
D846,502 S * 4/2019 Akana D13/147
D851,089 S * 6/2019 Sweet D14/433
D851,594 S * 6/2019 Wilfer D13/133
D864,121 S * 10/2019 Liu D13/153
D864,963 S * 10/2019 Luo D14/433
D868,784 S * 12/2019 Turksu D14/385

* cited by examiner

Primary Examiner — Rhea Shields
(74) *Attorney, Agent, or Firm* — ZanIP

(57) **CLAIM**

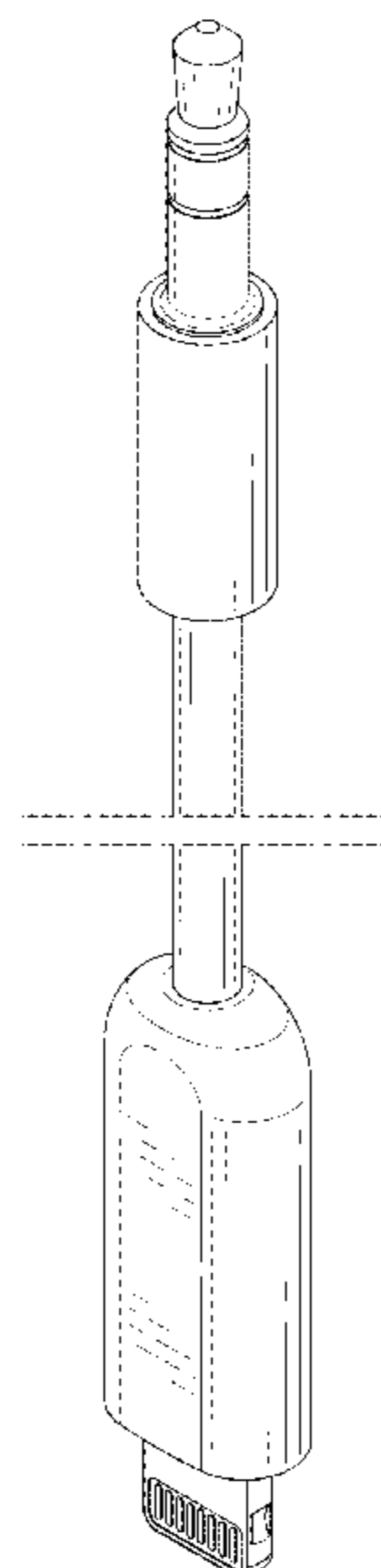
The ornamental design for a data cable, as shown and described.

DESCRIPTION

FIG. 1 is a front and top perspective view of a data cable, showing my new design;
FIG. 2 is a rear and bottom perspective view thereof;
FIG. 3 is a front elevational view thereof;
FIG. 4 is a rear elevational view thereof;
FIG. 5 is a left side elevational view thereof;
FIG. 6 is a right side elevational view thereof;
FIG. 7 is a top plan view thereof;
FIG. 8 is a bottom plan view thereof; and,
FIG. 9 is another perspective view thereof.
The dashed broken lines in the figures illustrate portions of the data cable that form no part of the claimed design. The dash-dot broken lines define the boundaries of the claim that form no part of the claim.
FIGS. 1 through 6 and 9 disclose a symbolic break in the length of the cable. The appearance of any portion of the article between the break lines forms no part of the claimed design.

(56) **References Cited**
U.S. PATENT DOCUMENTS
D600,652 S * 9/2009 Hong D13/154
D680,076 S * 4/2013 McManigal D13/147
D699,188 S * 2/2014 Akana D13/147
D733,142 S * 6/2015 Solomon D14/433
D734,267 S * 7/2015 Dobler D13/133
D743,965 S * 11/2015 Laffon de Mazieres D13/154
D760,720 S * 7/2016 Laffon de Mazieres D14/433
D761,262 S * 7/2016 Solomon D14/433
D779,492 S * 2/2017 Lin D14/433
D784,340 S * 4/2017 Laffon de Mazieres D14/433
9,636,959 B1 * 5/2017 Ihde H01R 13/405
D793,344 S * 8/2017 Wang D13/153
D795,816 S * 8/2017 He D13/153
D808,338 S * 1/2018 Messadek D13/133
D810,749 S * 2/2018 Zhang D14/433
D813,820 S * 3/2018 Akana D13/147
D815,598 S * 4/2018 Koenig D13/147
9,935,408 B1 * 4/2018 Pathak H01R 13/6335
D817,889 S * 5/2018 Akana D13/147
D820,217 S * 6/2018 Li D13/147
D824,388 S * 7/2018 Fawcett D14/433

1 Claim, 9 Drawing Sheets



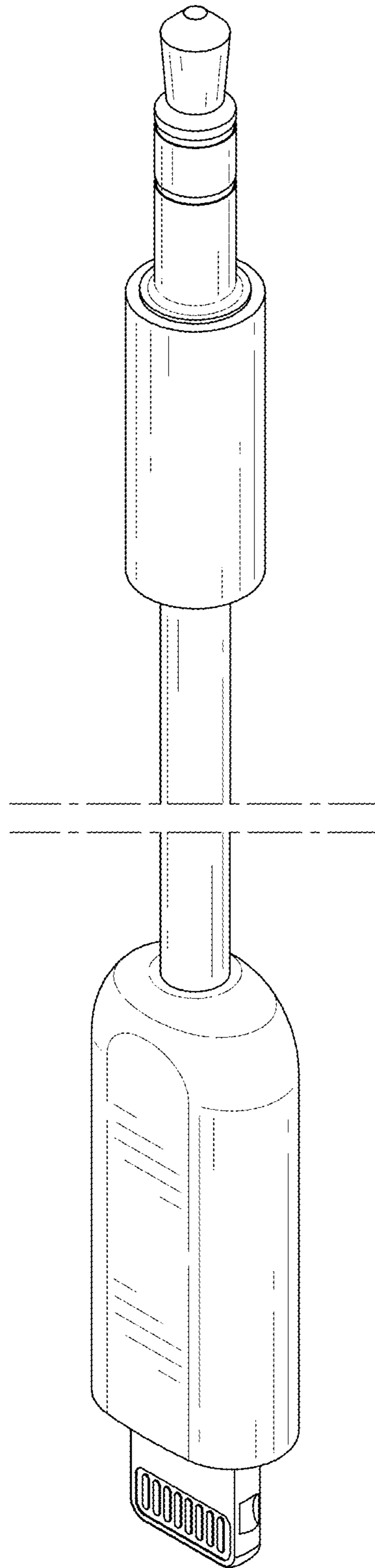


FIG. 1

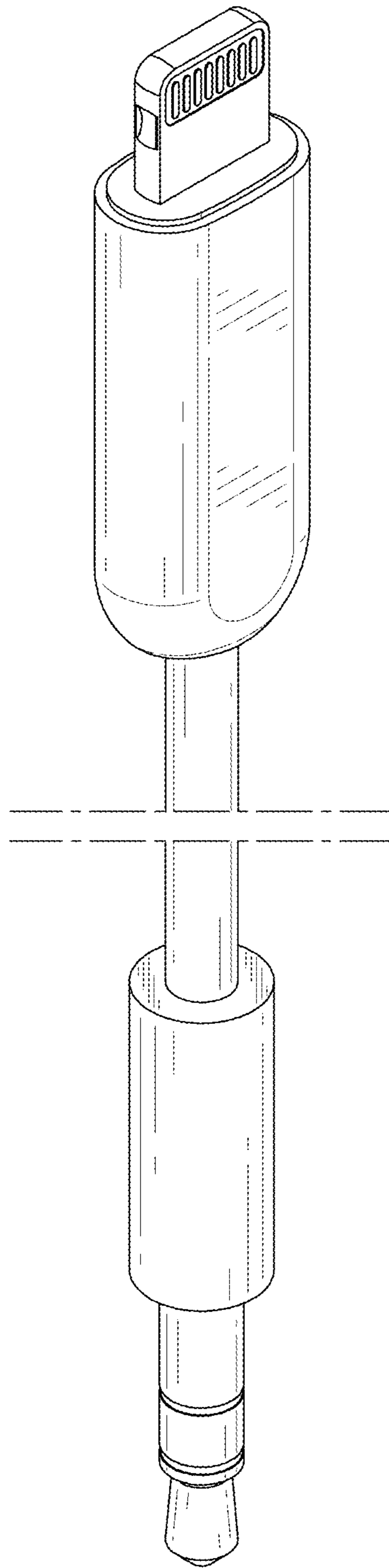


FIG. 2

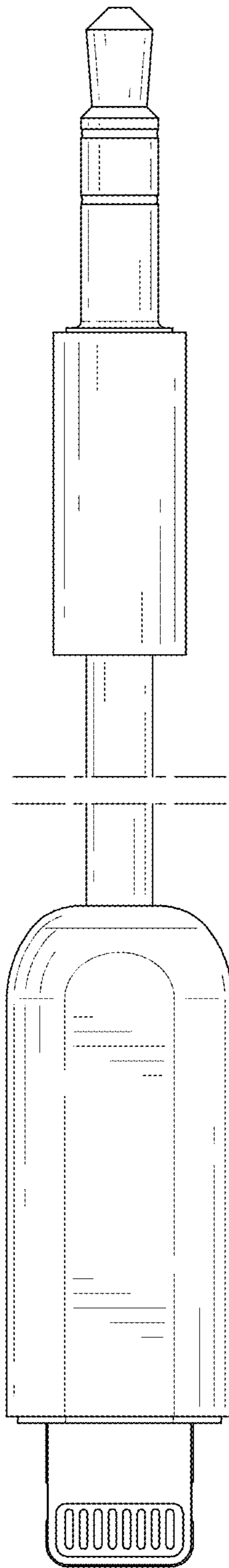


FIG. 3

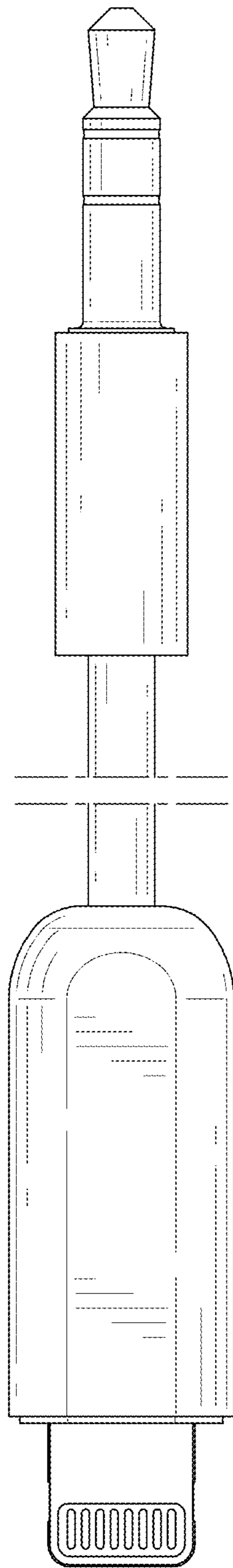


FIG. 4

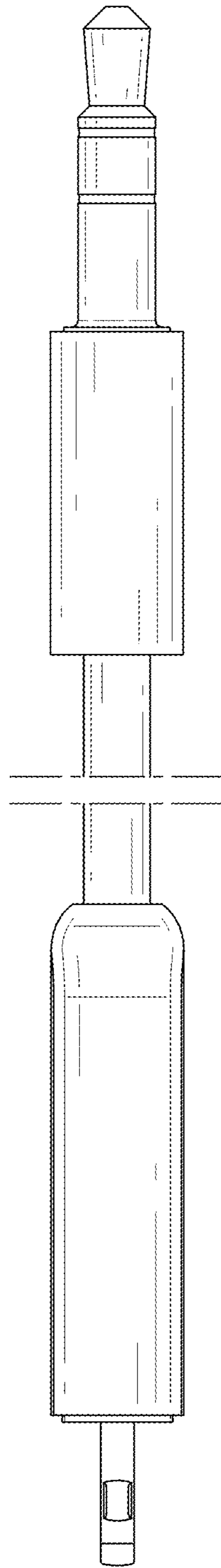


FIG. 5

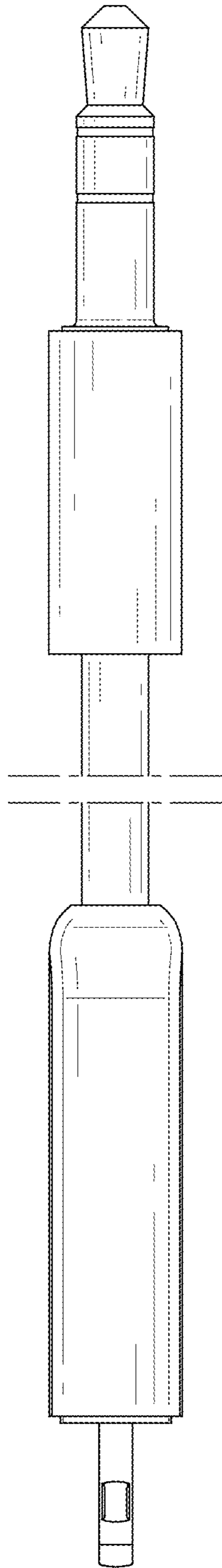


FIG. 6

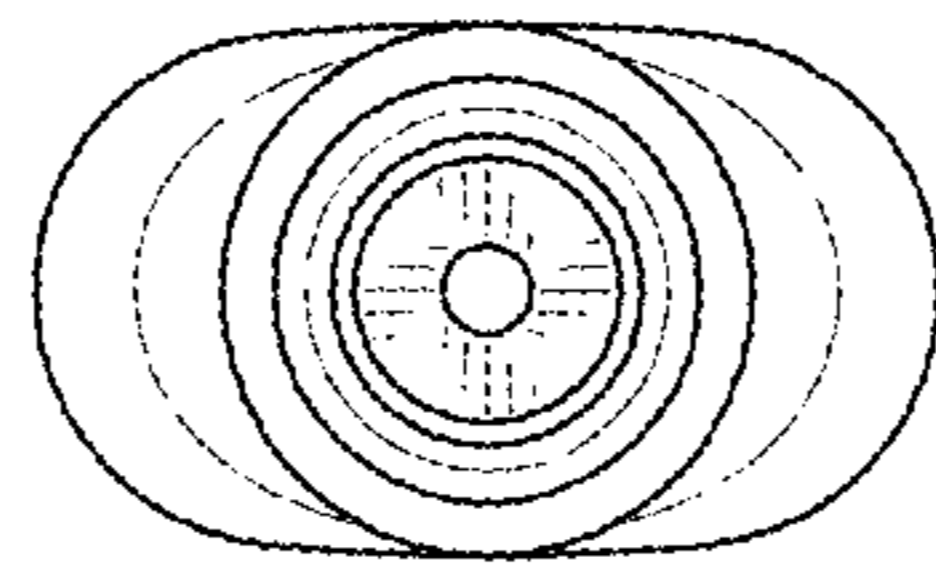


FIG. 7

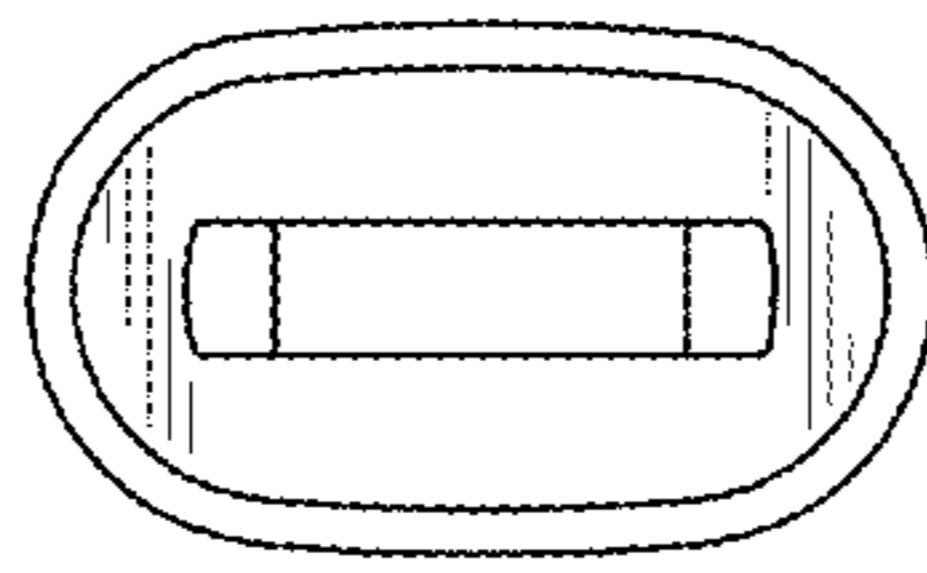


FIG. 8

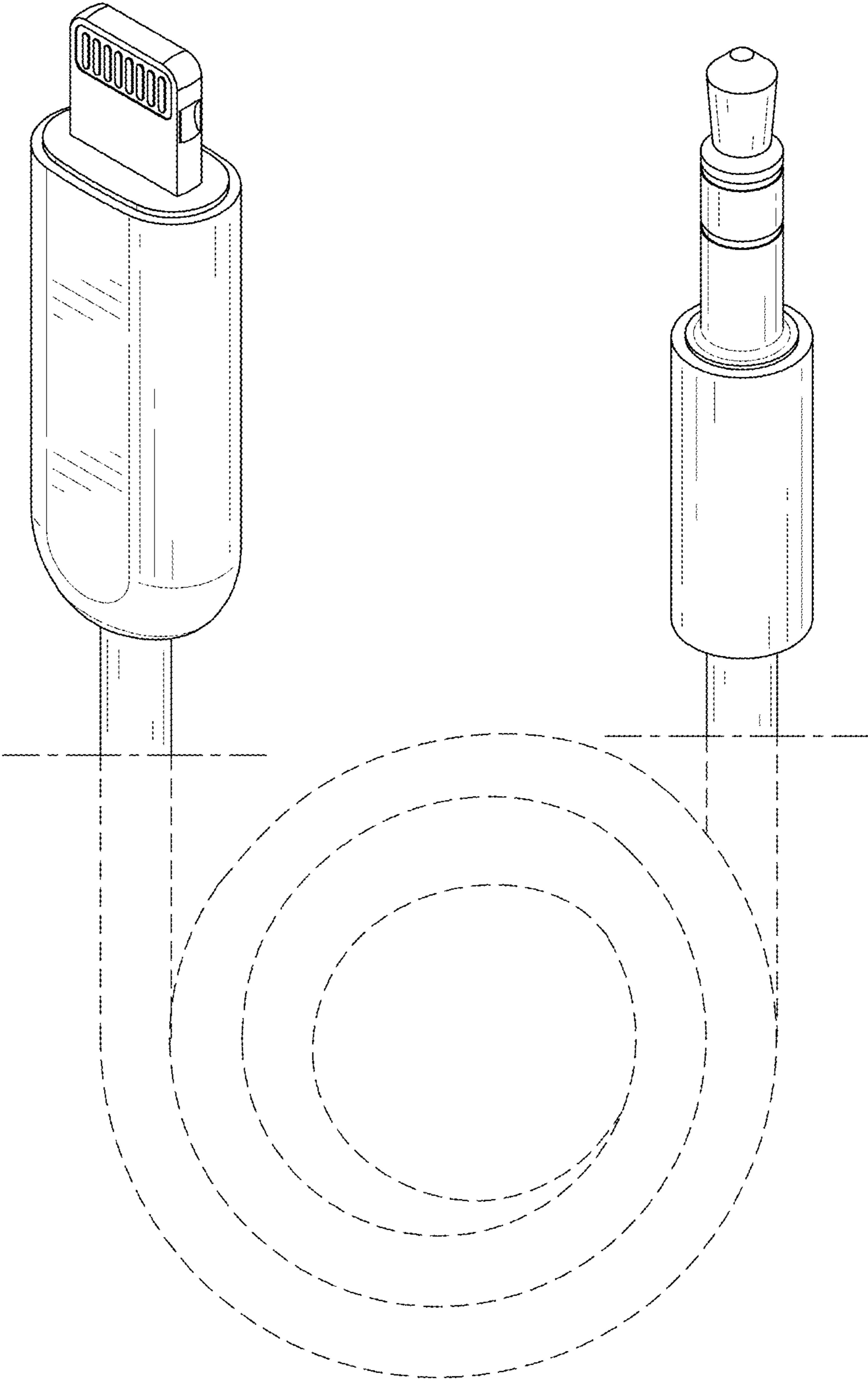


FIG. 9