



US00D880428S

(12) **United States Design Patent** (10) **Patent No.:** **US D880,428 S**
Pietschmann (45) **Date of Patent:** **** *Apr. 7, 2020**

(54) **ELECTRICAL CONNECTOR**

- (71) Applicant: **Phoenix Contact GmbH & Co. KG**, Blomberg (DE)
- (72) Inventor: **Senta Pietschmann**, Detmold (DE)
- (73) Assignee: **PHOENIX CONTACT GMBH & CO. KG**, Blomberg (DE)
- (*) Notice: This patent is subject to a terminal disclaimer.
- (**) Term: **15 Years**

- (21) Appl. No.: **29/662,159**
- (22) Filed: **Sep. 4, 2018**

(30) **Foreign Application Priority Data**

Mar. 15, 2018 (DE) 40 2018 100 288

(51) **LOC (12) Cl.** **13-03**

(52) **U.S. Cl.**
USPC **D13/147**

(58) **Field of Classification Search**
USPC D13/118–123, 133, 146, 147, 149,
D13/151–156, 173, 184, 199
CPC H01R 4/48; H01R 12/00; H01R 12/28;
H01R 13/00; H01R 13/436; H01R 13/62;
H01R 13/627; H01R 13/629; H01R
13/64; H01R 13/633; H01R 24/00
See application file for complete search history.

(56) **References Cited**

U.S. PATENT DOCUMENTS

- 4,861,271 A * 8/1989 Bogar H01R 24/545
439/63
- 5,017,163 A * 5/1991 Ohsumi H01R 13/4362
439/752
- 5,234,356 A * 8/1993 Maejima H01R 13/6272
439/352
- D410,629 S * 6/1999 Bandura D13/147

(Continued)

OTHER PUBLICATIONS

Power connectors with Click-n-Lock—Phoenix Contact, dated Apr. 20, 2009, [online], [site visited Aug. 2, 2019]. Available from Internet, URL: <https://www.youtube.com/watch?v=OfFqXfTBKMk> (Year: 2009).*

(Continued)

Primary Examiner — Angela J Lee

Assistant Examiner — Shawn T Gingrich

(74) *Attorney, Agent, or Firm* — Leydig, Voit & Mayer, Ltd.

(57) **CLAIM**

The ornamental design for an electrical connector, as shown and described.

DESCRIPTION

The file of this patent contains at least one drawing/photograph executed in color. Copies of this patent with color drawing(s)/photograph(s) will be provided by the Office upon request and payment of the necessary fee.

FIG. 1 is a right-front-top perspective view of the electrical connector showing my new design;

FIG. 2 is a front view thereof;

FIG. 3 is a top view thereof;

FIG. 4 is a bottom view thereof;

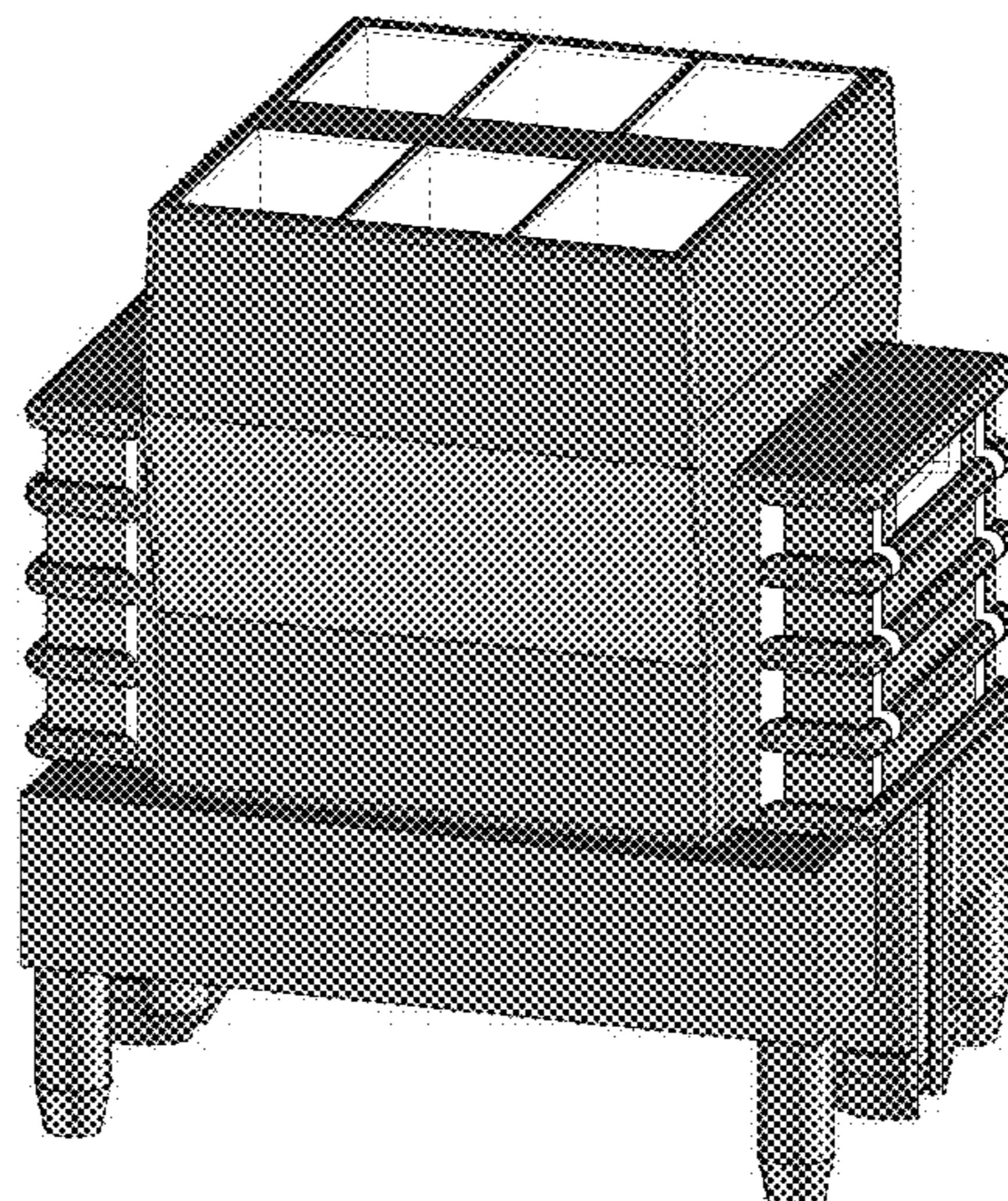
FIG. 5 is a rear view thereof;

FIG. 6 is a left view thereof; and,

FIG. 7 is a right view thereof.

The broken lines in the drawings illustrate portions of the electrical connector that form no part of the claimed design. The surfaces shown without shading or color, including those bounded by solid lines, form not part of the claimed design.

1 Claim, 7 Drawing Sheets
(7 of 7 Drawing Sheet(s) Filed in Color)



(56)

References Cited

U.S. PATENT DOCUMENTS

D492,260	S *	6/2004	Spink, Jr.	D13/147
D519,462	S *	4/2006	Kudo	D13/147
D524,755	S *	7/2006	Kudo	D13/147
D564,454	S *	3/2008	Kudo	D13/147
D585,030	S *	1/2009	Kudo	D13/133
D585,831	S *	2/2009	Kudo	D13/147
D597,491	S *	8/2009	Sakamoto	D13/147
D810,689	S *	2/2018	Takano	D13/147
D816,041	S *	4/2018	Fitzgerald	D13/147
D825,474	S *	8/2018	Geske	D13/147
D826,863	S *	8/2018	Schafmeister	D13/147
2008/0076277	A1 *	3/2008	Chen	H01R 12/57 439/78
2011/0076889	A1 *	3/2011	Rossman	H01R 13/6456 439/660
2014/0242824	A1 *	8/2014	Karadimas	H01R 13/53 439/181
2016/0111816	A1 *	4/2016	Walker	F04D 25/0693
2019/0252820	A1 *	8/2019	Herbrechtsmeier .	H01R 13/506
2019/0252828	A1 *	8/2019	Miyamoto	H01R 13/6583

OTHER PUBLICATIONS

With PCB SKEDD connectors, no headers are needed, dated Jul. 11, 2017, [online], [site visited Aug. 2, 2019]. Available from Internet, URL: <https://www.youtube.com/watch?v=jE6GESRWDkk> (Year: 2017).*

* cited by examiner

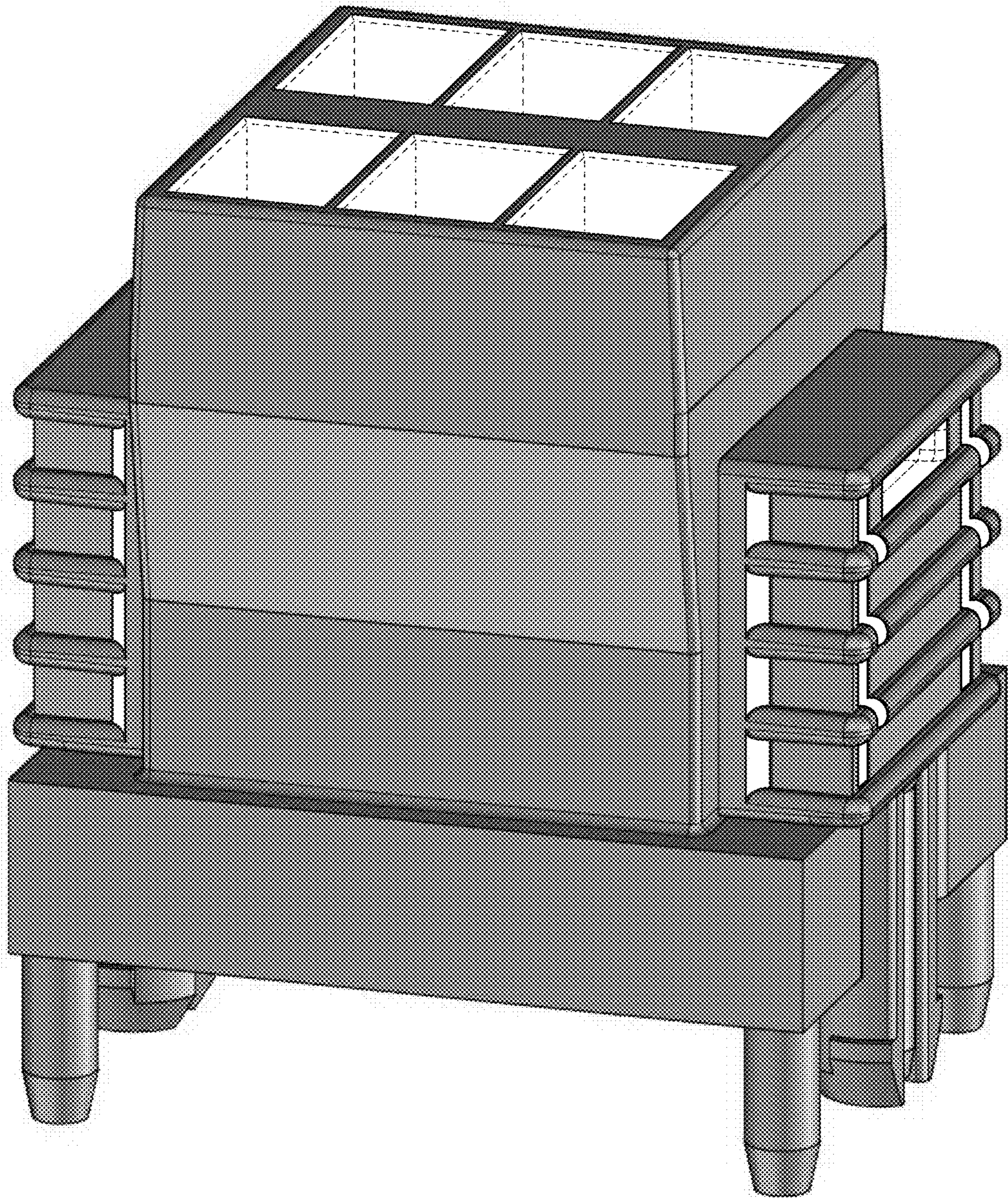


FIG. 1

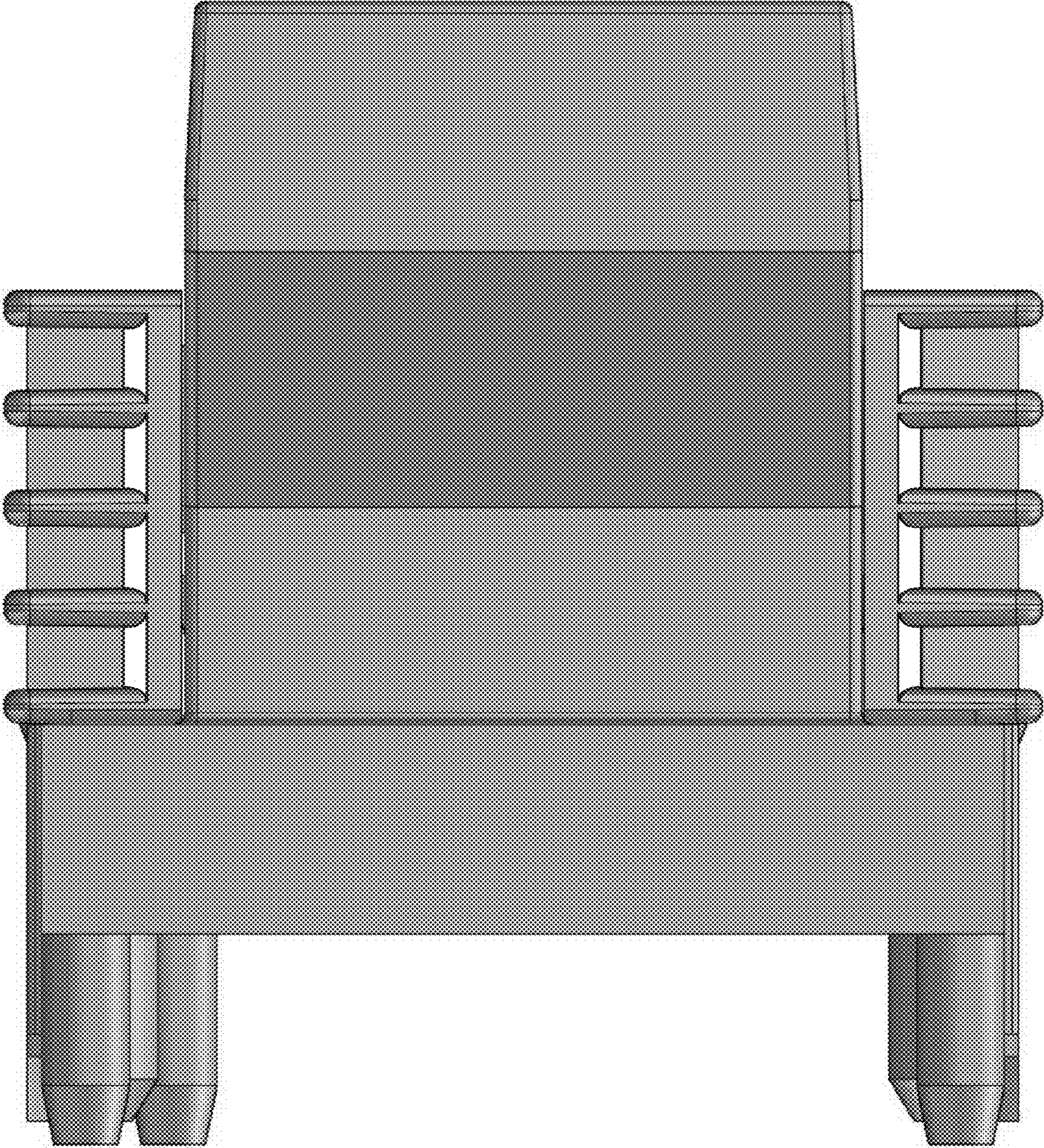


FIG. 2

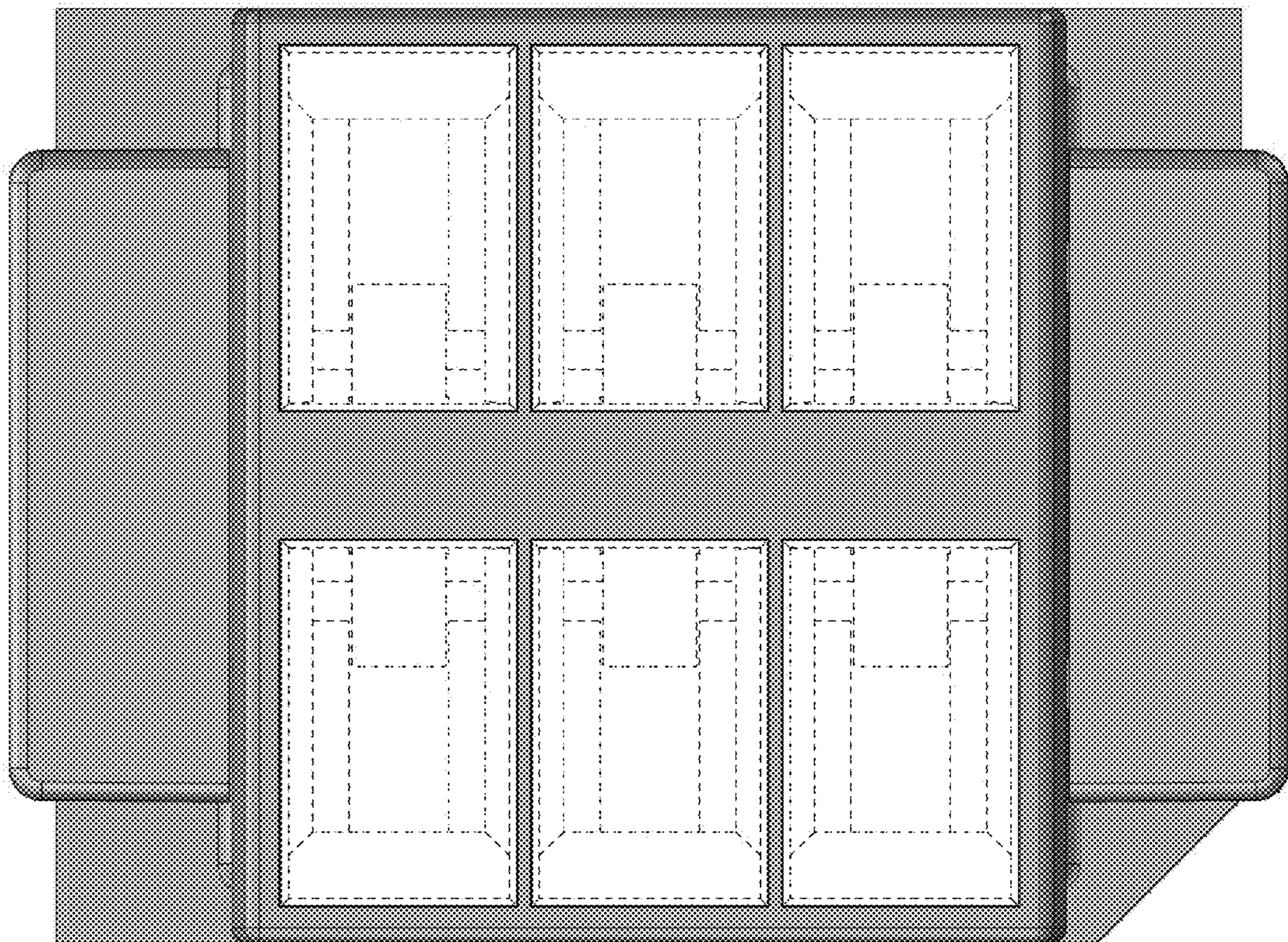


FIG. 3

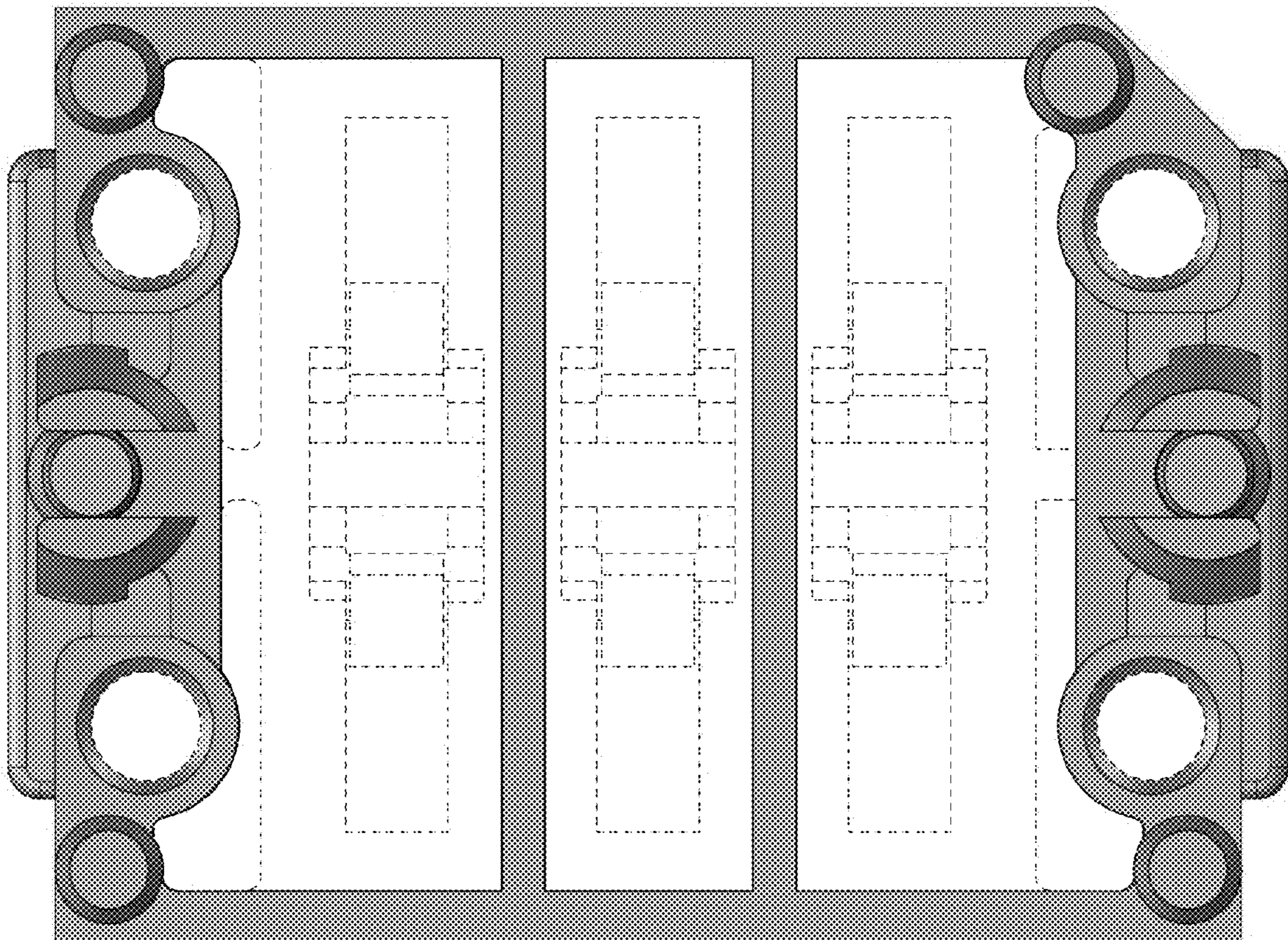


FIG. 4

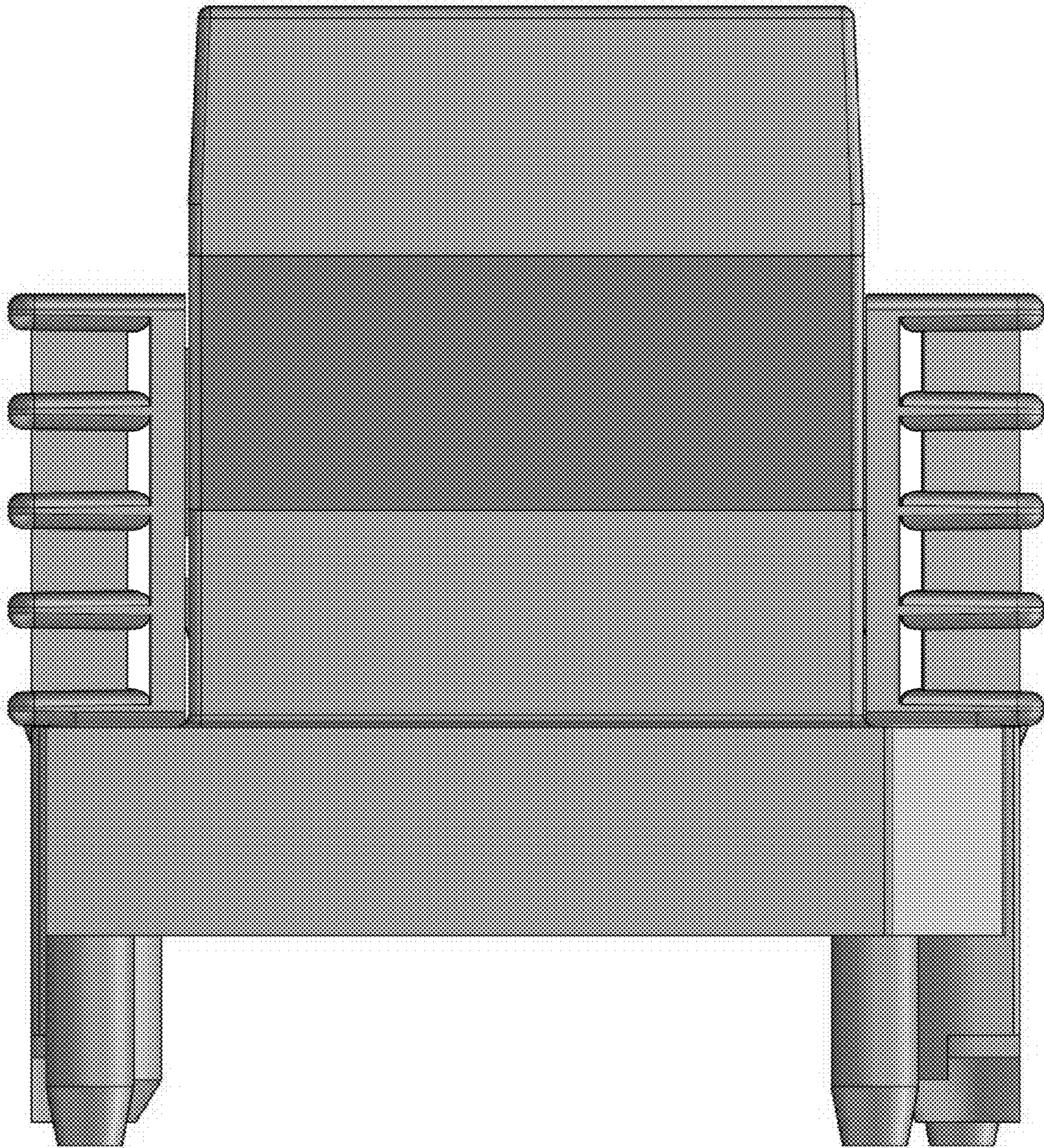


FIG. 5

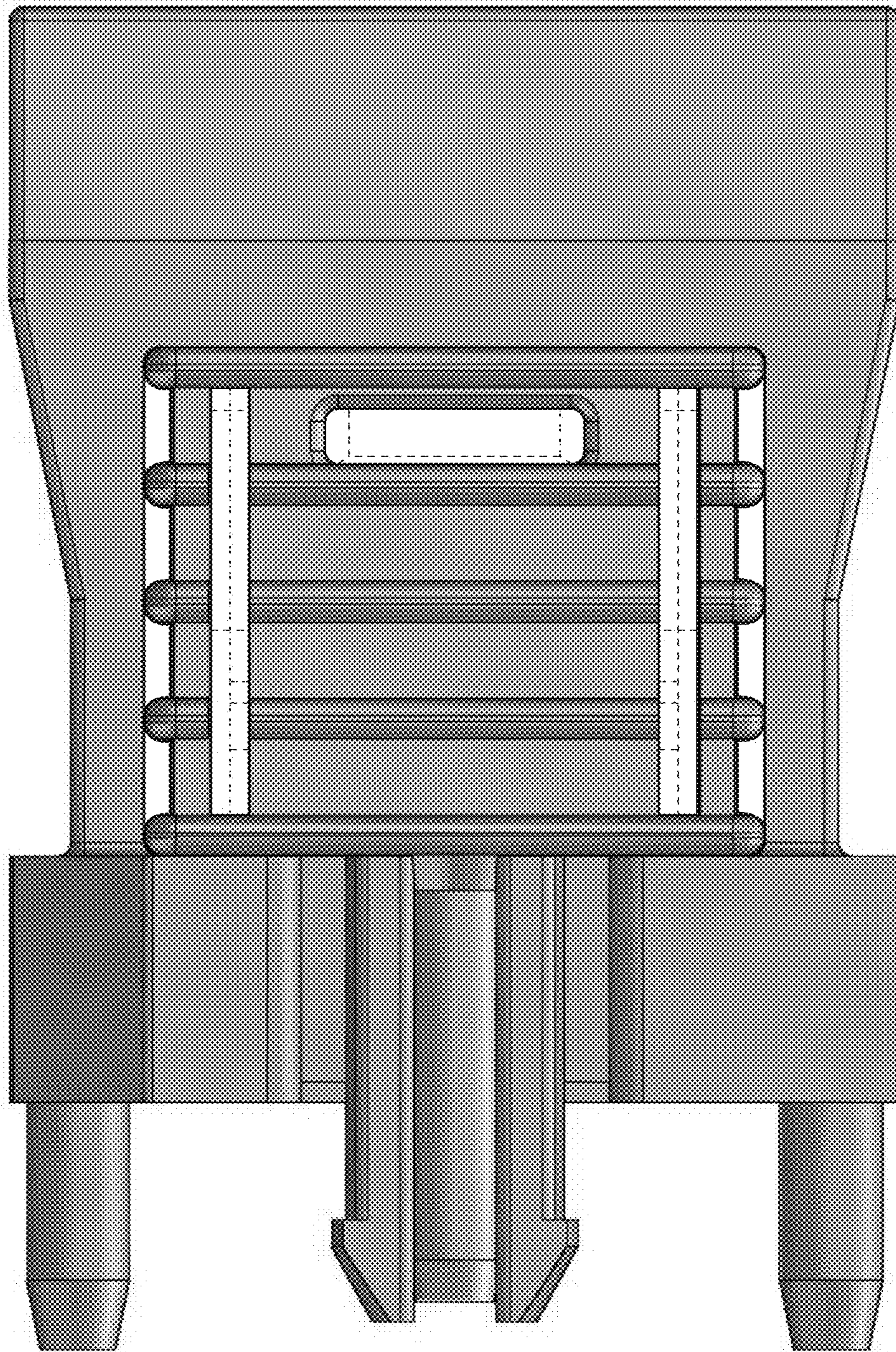


FIG. 6

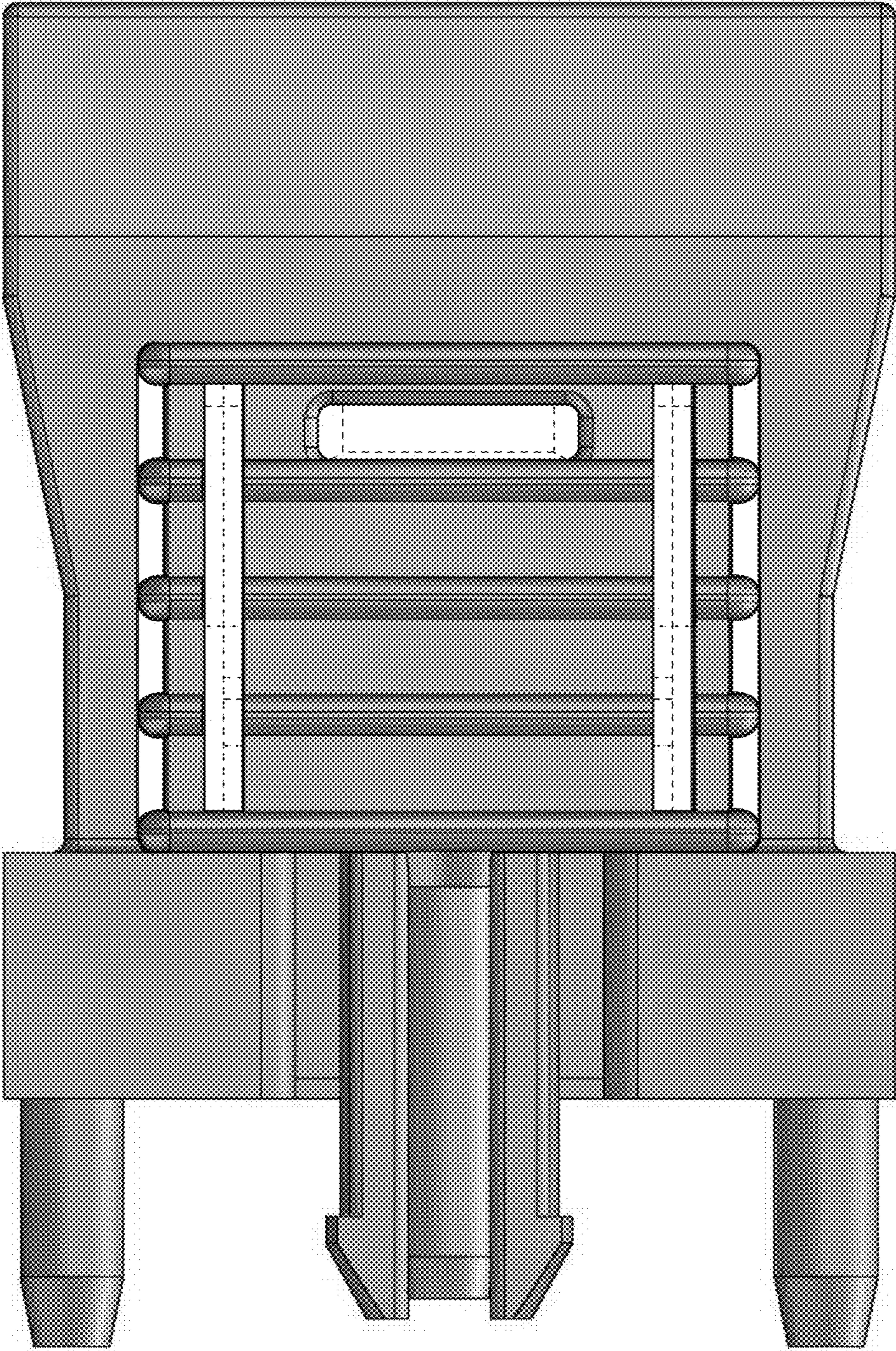


FIG. 7