



US00D880426S

(12) **United States Design Patent** (10) **Patent No.:** **US D880,426 S**
Aromin et al. (45) **Date of Patent:** **** Apr. 7, 2020**

- (54) **ARC FAULT CURRENT INTERRUPTER**
- (71) Applicant: **Tower Manufacturing Corporation**, Providence, RI (US)
- (72) Inventors: **Victor V Aromin**, West Warwick, RI (US); **Daniel R Paquette**, Woonsocket, RI (US); **Louis Jay Shatkin**, East Greenwich, RI (US)
- (73) Assignee: **Tower Manufacturing Corporation**, Providence, RI (US)
- (**) Term: **15 Years**
- (21) Appl. No.: **29/685,048**
- (22) Filed: **Mar. 26, 2019**

Related U.S. Application Data

- (63) Continuation-in-part of application No. 29/606,813, filed on Jun. 7, 2017, now abandoned, which is a continuation-in-part of application No. 29/600,807, filed on Apr. 16, 2017, now abandoned.
 - (51) **LOC (12) Cl.** **13-03**
 - (52) **U.S. Cl.**
USPC **D13/138.2**
 - (58) **Field of Classification Search**
USPC D13/107, 108, 110, 123, 133, D13/137.1-137.4, 138.1-138.2, D13/139.1-139.8, 152, 154, 184
CPC H01R 11/00; H01R 9/00; H01R 13/00; H01R 13/04; H01R 13/10; H01R 13/6666; H01R 13/6675; H01R 25/00; H01R 25/006; H01H 2207/00; H01H 2207/022
- See application file for complete search history.

(56) **References Cited**

U.S. PATENT DOCUMENTS

D414,747 S *	10/1999	Aromin	D13/160
D432,990 S *	10/2000	Stekelenburg	D13/137.3
D454,537 S *	3/2002	O'Connor	D13/110
D561,694 S *	2/2008	Lam	D13/110
D633,869 S *	3/2011	Aromin	D13/138.1
D635,937 S *	4/2011	Aromin	D13/138.1
D638,355 S *	5/2011	Chen	D13/110
D652,801 S *	1/2012	Zou	D13/139.8
D653,214 S *	1/2012	Zou	D13/138.2
8,128,434 B1 *	3/2012	Gandolfi	H01R 13/6666 439/620.31
8,182,274 B1 *	5/2012	Cheng	H01R 13/652 439/131
D708,575 S *	7/2014	Aromin	D13/110
D708,576 S *	7/2014	Aromin	D13/110
D731,422 S *	6/2015	Aromin	D13/110
D735,136 S *	7/2015	Aromin	D13/138.2
D742,831 S *	11/2015	Yu	D13/139.6
9,478,382 B1 *	10/2016	Aromin	H01H 83/02

(Continued)

Primary Examiner — Rosemary K Tarcza

Assistant Examiner — Christy M Nemeth

(57) **CLAIM**

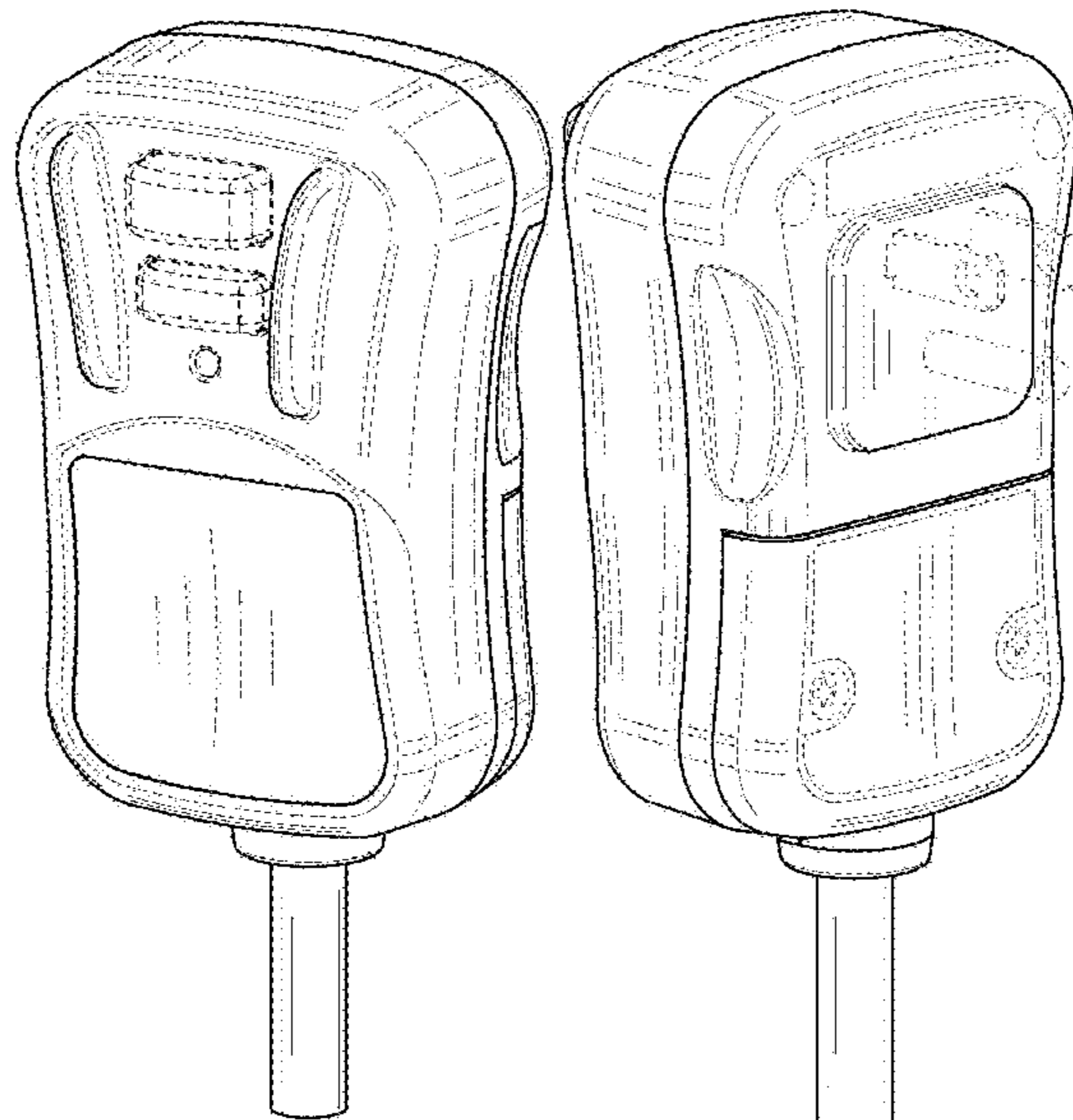
The ornamental design for an arc fault current interrupter, substantially as shown and described.

DESCRIPTION

FIG. 1 is a top perspective view of an arc fault current interrupter;
 FIG. 2 is a bottom perspective view thereof;
 FIG. 3 is a top view thereof;
 FIG. 4 is a bottom view thereof;
 FIG. 5 is a right side view, with the left side view a mirror image thereof;
 FIG. 6 is a front view thereof; and,
 FIG. 7 is a rear view thereof.

The broken lines shown in the views and the structures they depict form no part of the claimed design.

1 Claim, 6 Drawing Sheets



(56)

References Cited

U.S. PATENT DOCUMENTS

D821,977 S * 7/2018 Ye D13/138.2
2018/0220541 A1 * 8/2018 Aromin H02H 3/16

* cited by examiner

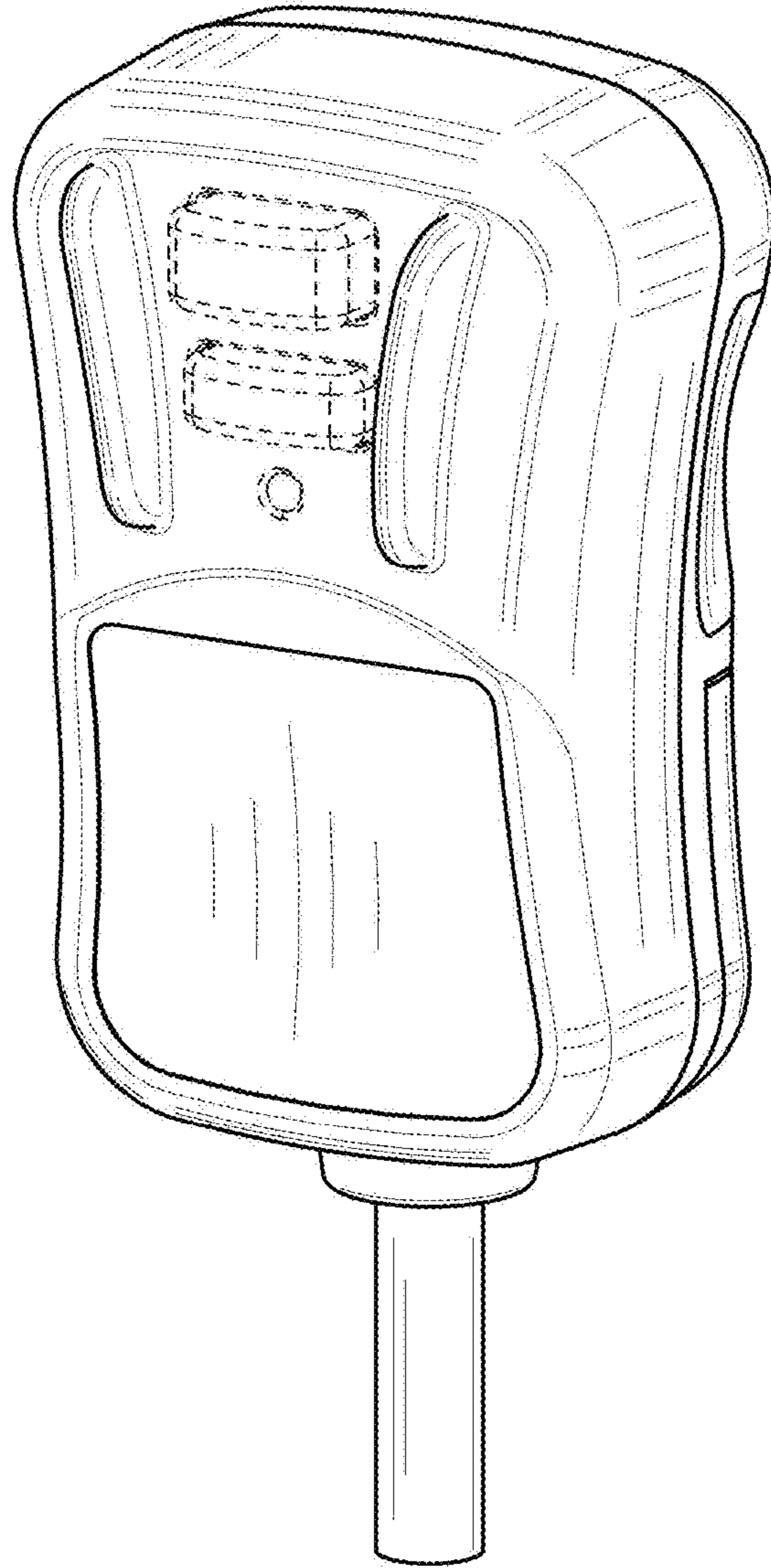


FIG. 1



FIG. 2

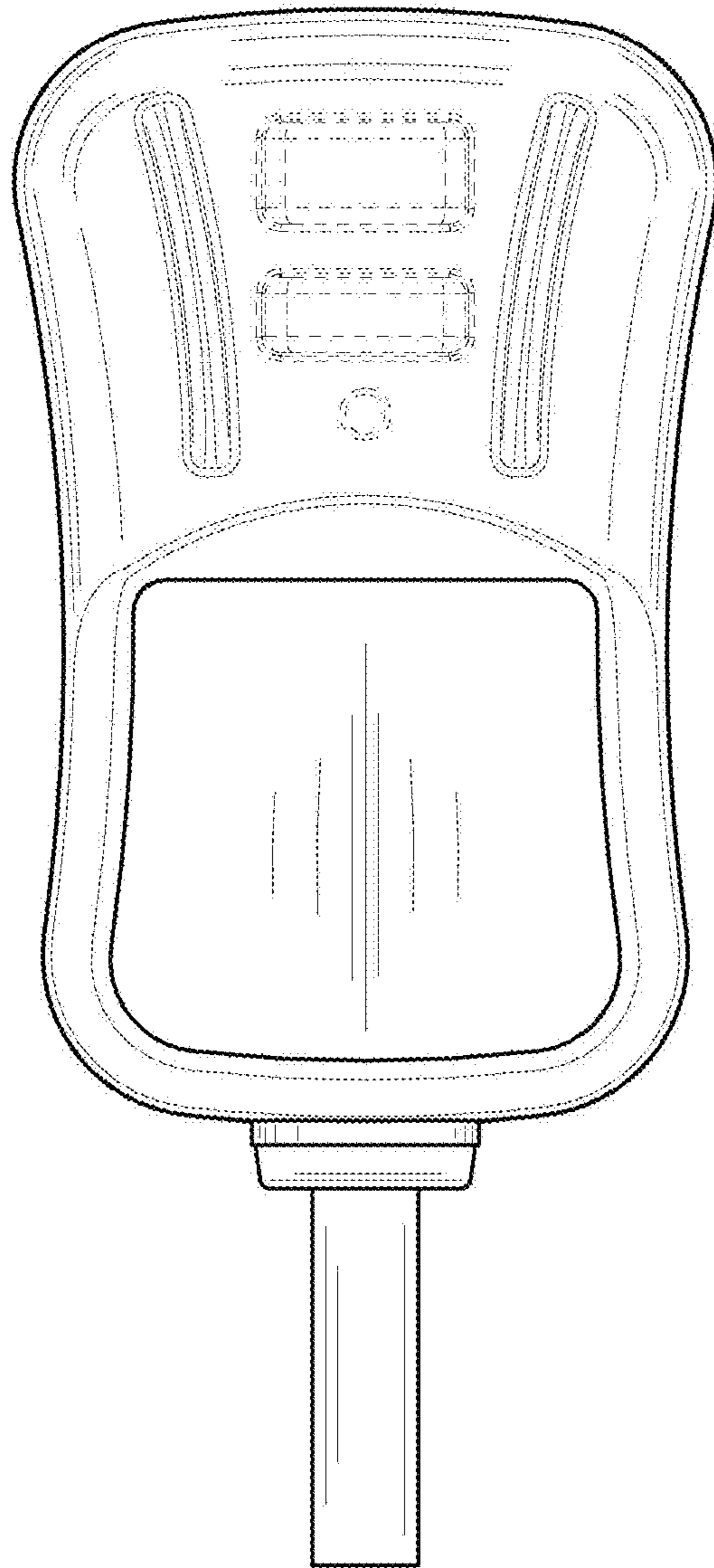


FIG. 3

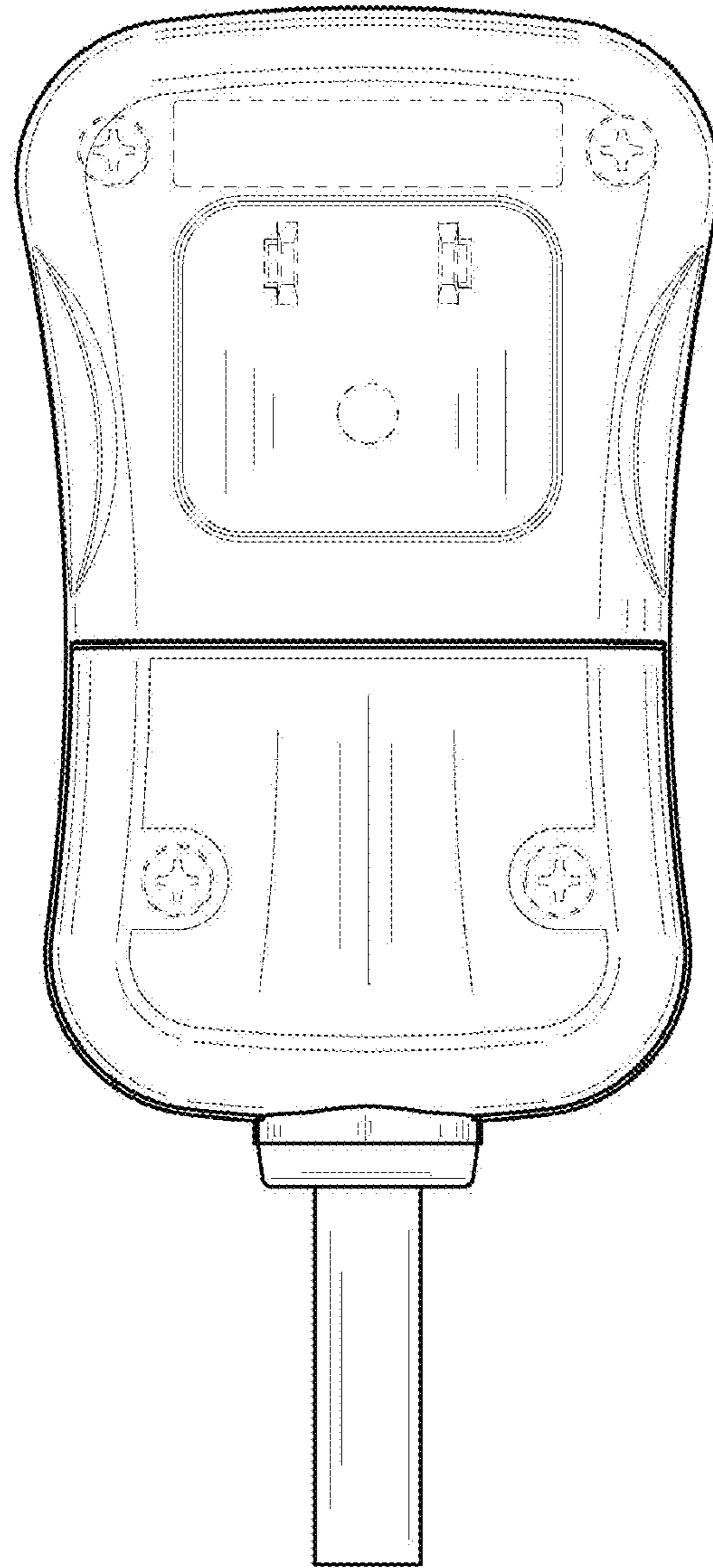


FIG. 4

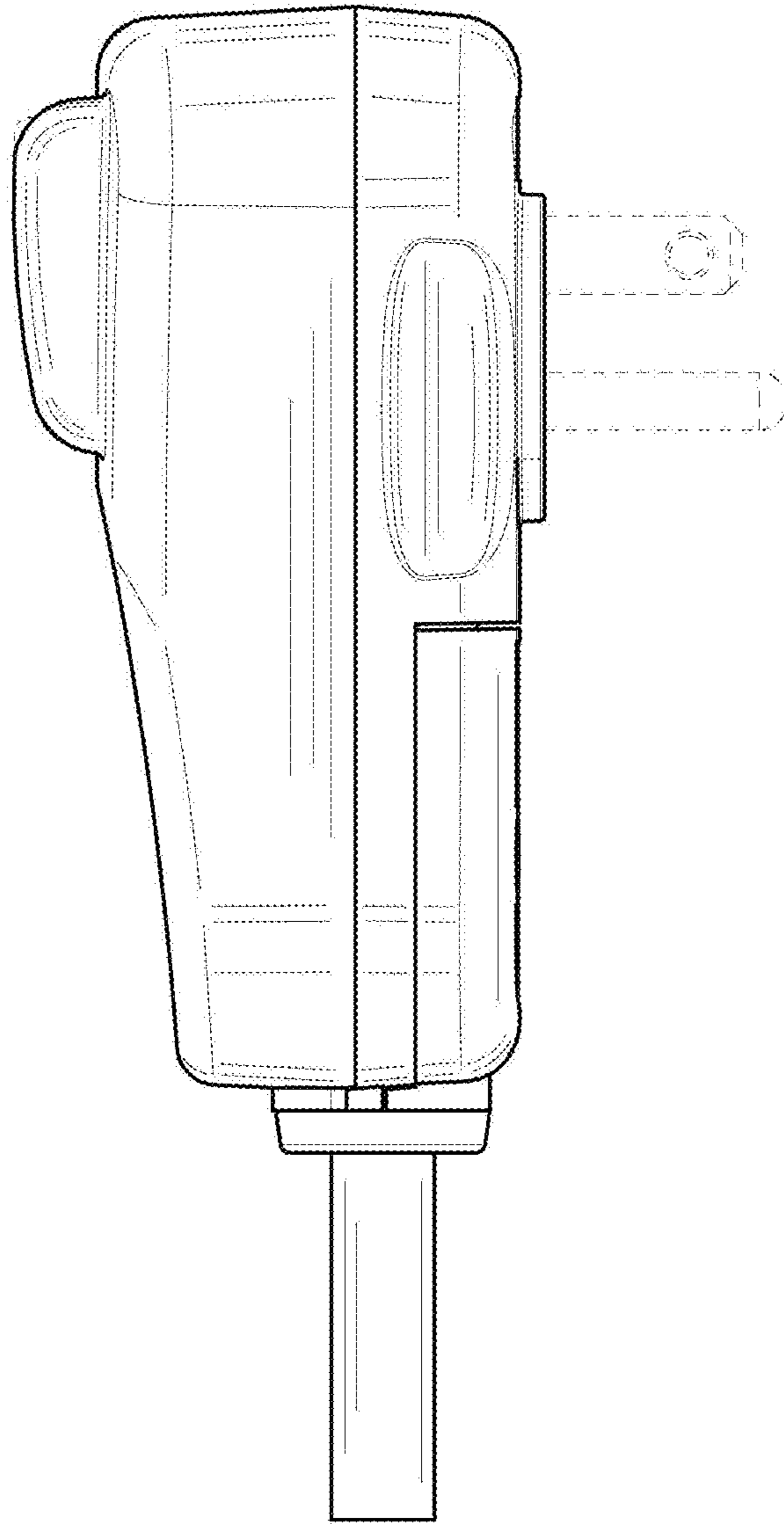


FIG. 5

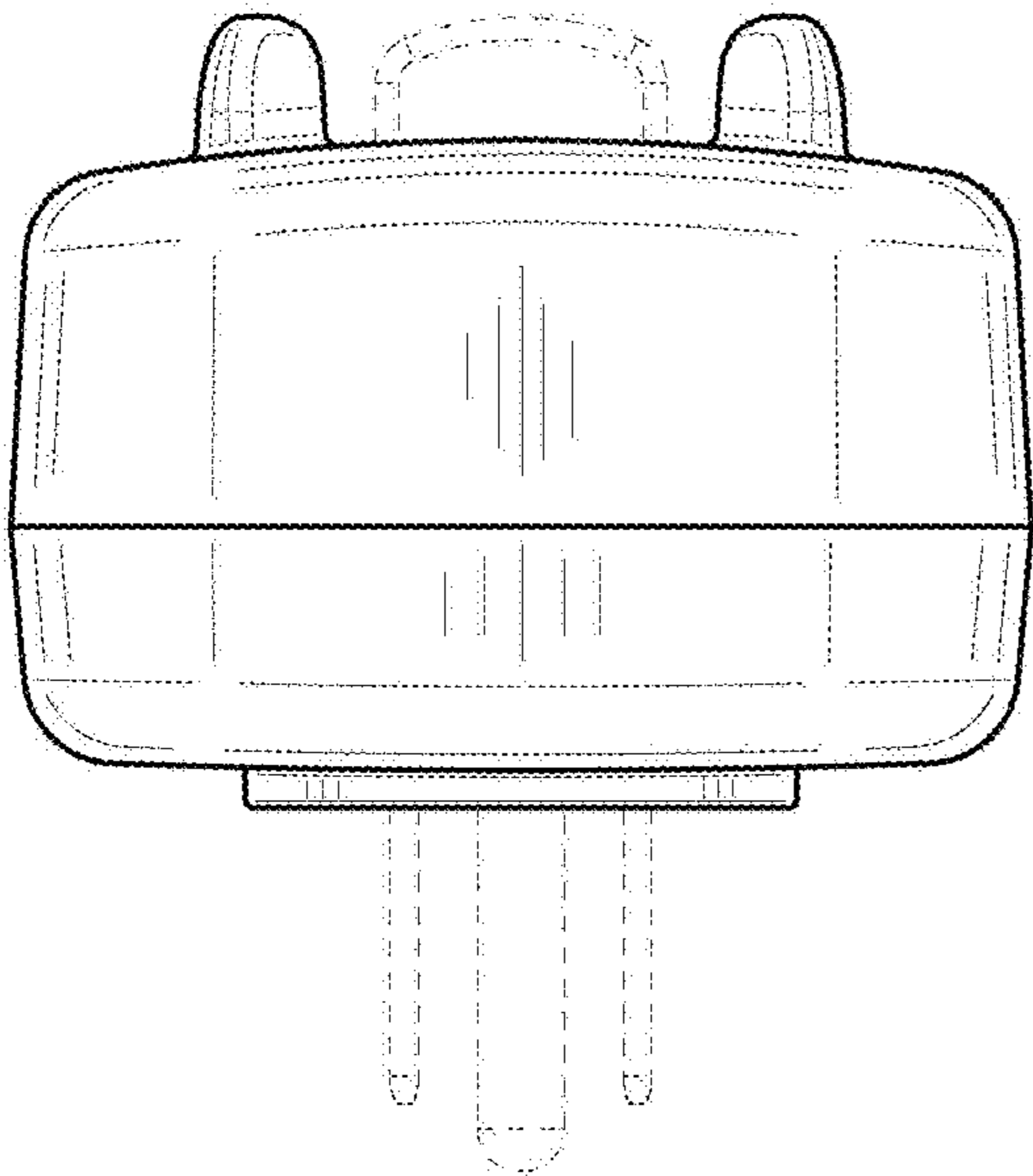


FIG. 6

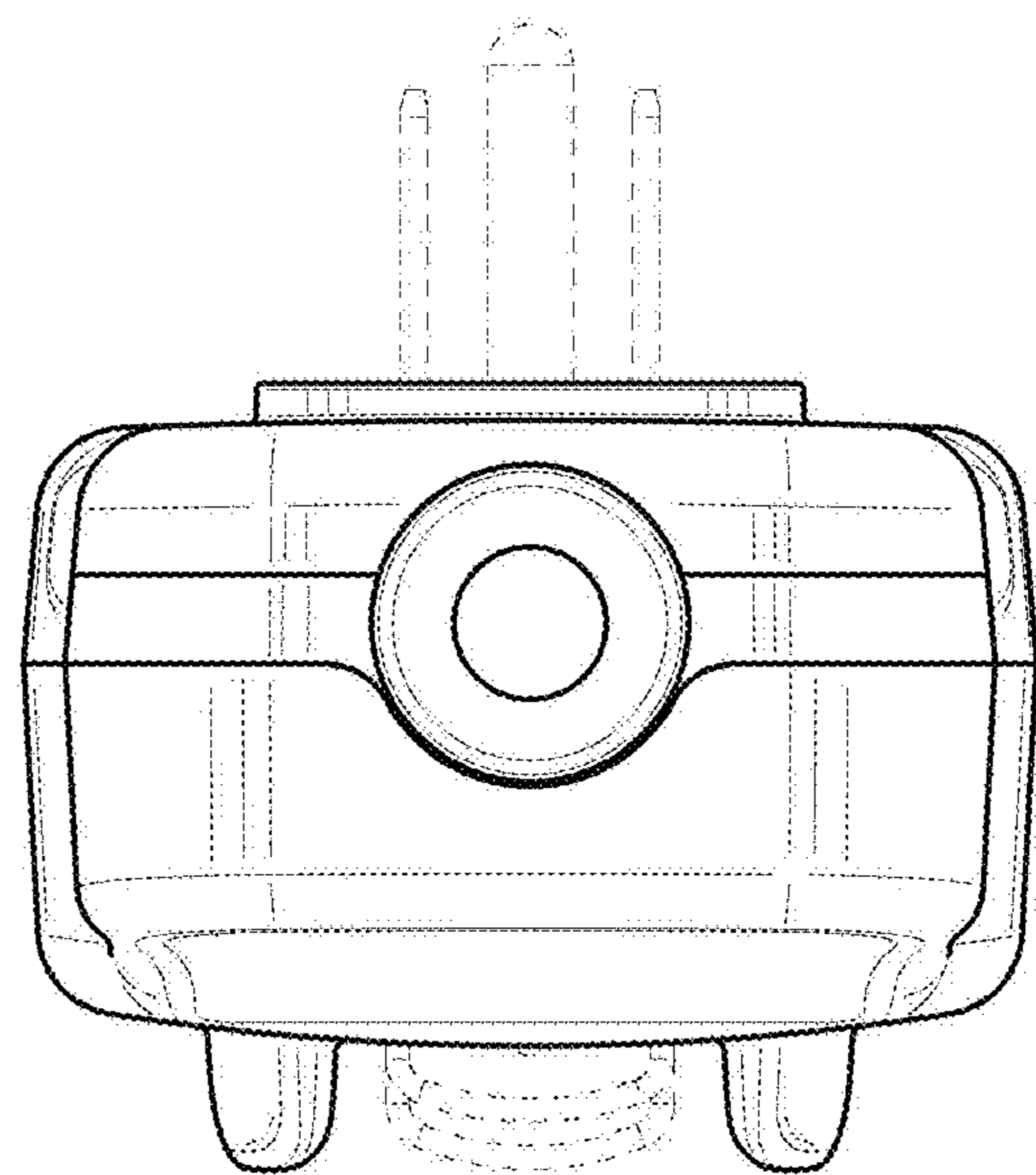


FIG. 7