



US00D880423S

(12) **United States Design Patent**  
**Obata et al.**

(10) **Patent No.:** **US D880,423 S**  
(45) **Date of Patent:** **\*\* Apr. 7, 2020**

(54) **DUMMY PIN FOR CONNECTOR**  
(71) Applicant: **Japan Aviation Electronics Industry, Limited, Tokyo (JP)**  
(72) Inventors: **Yusuke Obata, Tokyo (JP); Hiroaki Obikane, Tokyo (JP)**  
(73) Assignee: **JAPAN AVIATION ELECTRONICS INDUSTRY, LIMITED, Tokyo (JP)**

(\*\*) Term: **15 Years**

(21) Appl. No.: **29/666,792**

(22) Filed: **Oct. 16, 2018**

(30) **Foreign Application Priority Data**

Apr. 26, 2018 (JP) ..... 2018-009234

(51) **LOC (12) Cl.** ..... **13-03**

(52) **U.S. Cl.**  
USPC ..... **D13/133; D13/154**

(58) **Field of Classification Search**  
USPC ..... D13/110, 112, 118, 123, 133, 146-149, D13/154-156, 160, 173, 178, 184, 199  
CPC .. F16B 19/04; F16B 23/00; F21S 8/00; G02B 6/38; H01H 33/66; H01H 33/664; H01R 9/05; H01R 13/04; H01R 13/52; H01R 13/58; H01R 13/639; H01R 13/66; H01R 24/66; H01R 31/06; H01R 12/00; H01R 13/17; H01R 13/42; H01R 13/443; H01R 13/5221; H02H 5/04  
See application file for complete search history.

(56) **References Cited**

**U.S. PATENT DOCUMENTS**

D293,710 S \* 1/1988 Woods ..... D23/265  
D313,790 S \* 1/1991 Hirabayashi ..... D13/133

6,267,622 B1 \* 7/2001 Nagata ..... H01R 12/52  
439/603  
D460,043 S \* 7/2002 Fan Wong ..... D13/133  
D562,987 S \* 2/2008 Colin ..... D24/224  
D588,999 S \* 3/2009 Ho ..... D13/133  
D601,567 S \* 10/2009 Lau ..... D13/154  
D775,683 S \* 1/2017 Shipard ..... D13/133  
D805,193 S \* 12/2017 Shoji ..... D24/129  
D847,595 S \* 5/2019 Hampton ..... D8/14  
D858,284 S \* 9/2019 Murac ..... D9/454  
D863,222 S \* 10/2019 Kimmel ..... D13/133  
D865,105 S \* 10/2019 Oglesby ..... D22/108  
2009/0163072 A1 \* 6/2009 Schimmele-Brell .....  
H01R 13/5221  
439/357  
2010/0273363 A1 \* 10/2010 Orris ..... H01R 13/432  
439/745  
2016/0126657 A1 \* 5/2016 Hirakawa ..... H01R 13/42  
439/733.1  
2017/0244187 A1 \* 8/2017 Ostermann ..... H01R 13/04  
2019/0356076 A1 \* 11/2019 Obata ..... H01R 13/443

\* cited by examiner

*Primary Examiner* — Angela J Lee

*Assistant Examiner* — Shawn T Gingrich

(74) *Attorney, Agent, or Firm* — Manabu Kanesaka

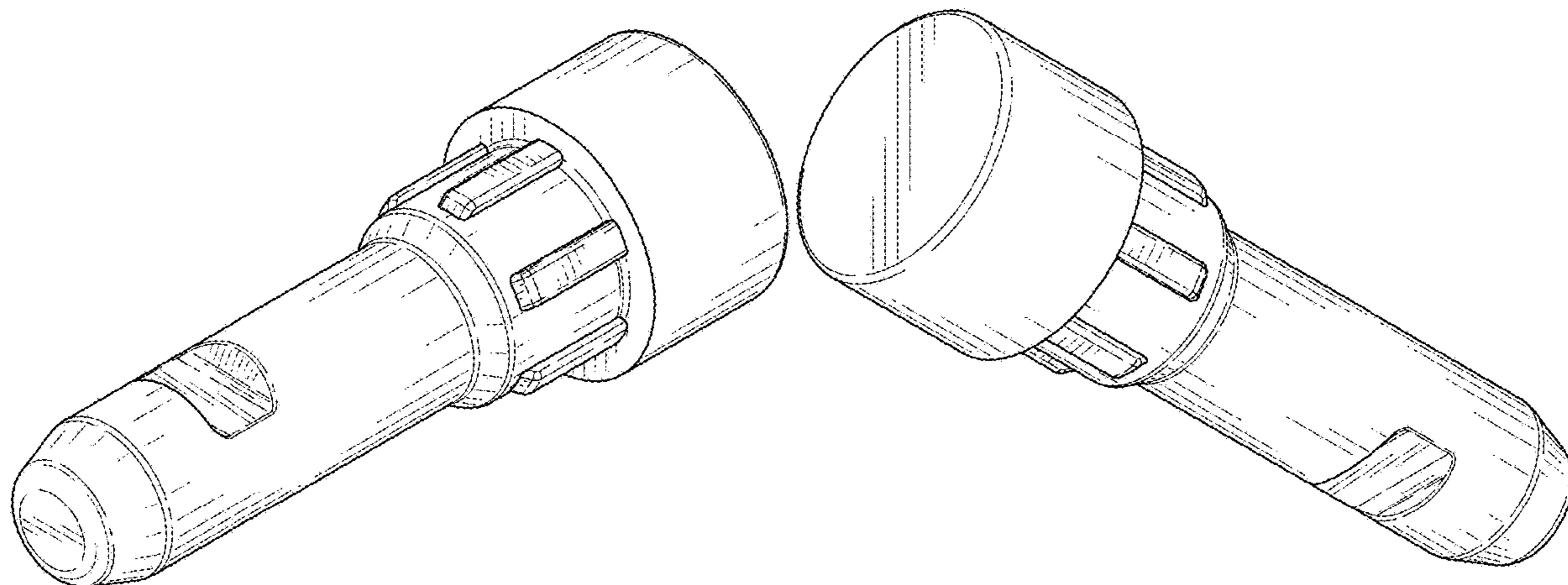
(57) **CLAIM**

The ornamental design for a dummy pin for connector, as shown and described.

**DESCRIPTION**

FIG. 1 is a front elevational view of a dummy pin for connector showing our new design;  
FIG. 2 is a rear elevational view thereof;  
FIG. 3 is a right side elevational view thereof;  
FIG. 4 is a left side elevational view thereof;  
FIG. 5 is a top plan view thereof;  
FIG. 6 is a bottom plan view thereof;  
FIG. 7 is a perspective view from a front side thereof; and,  
FIG. 8 is a perspective view from a rear side thereof.

**1 Claim, 4 Drawing Sheets**



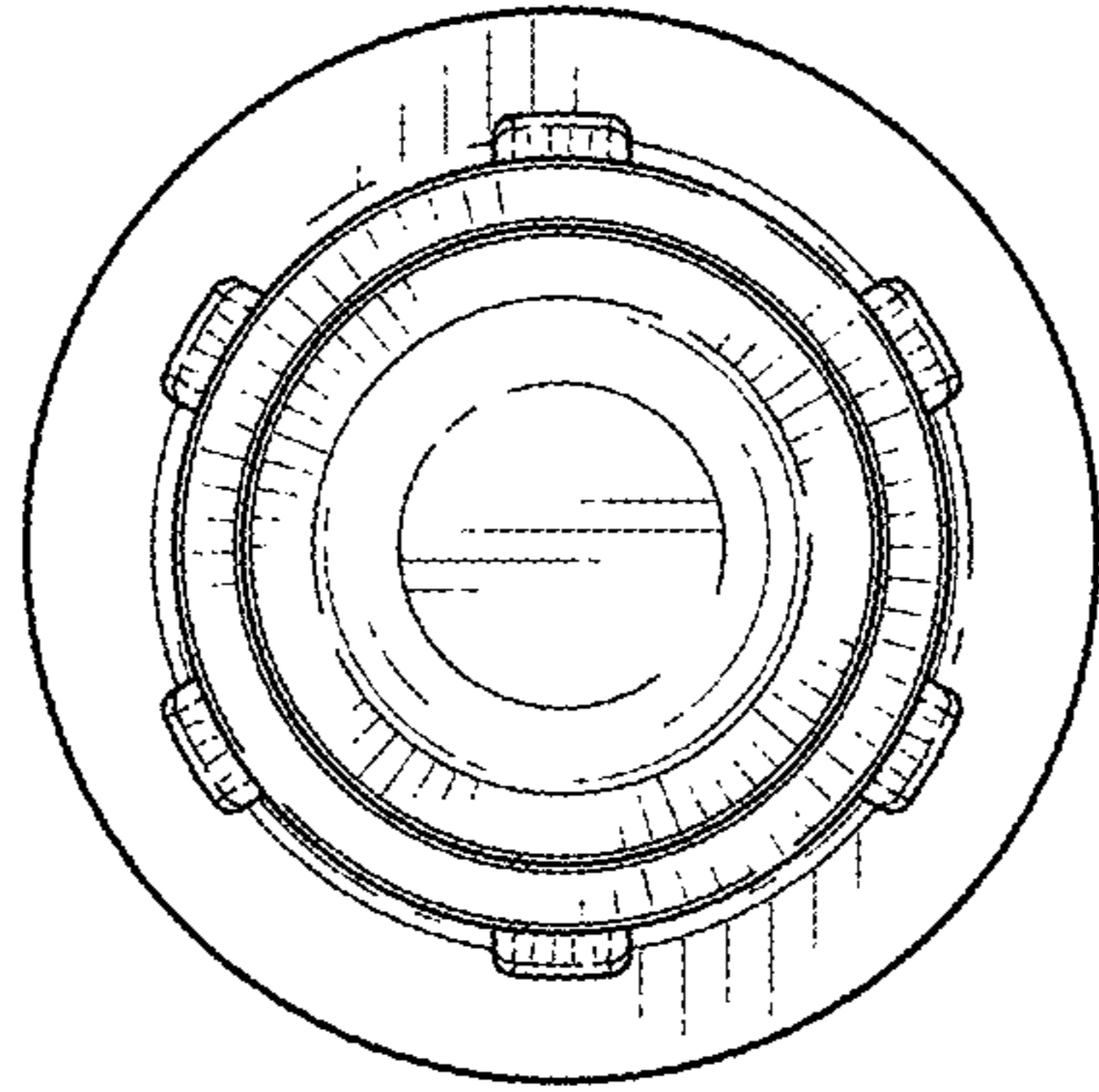


FIG. 1

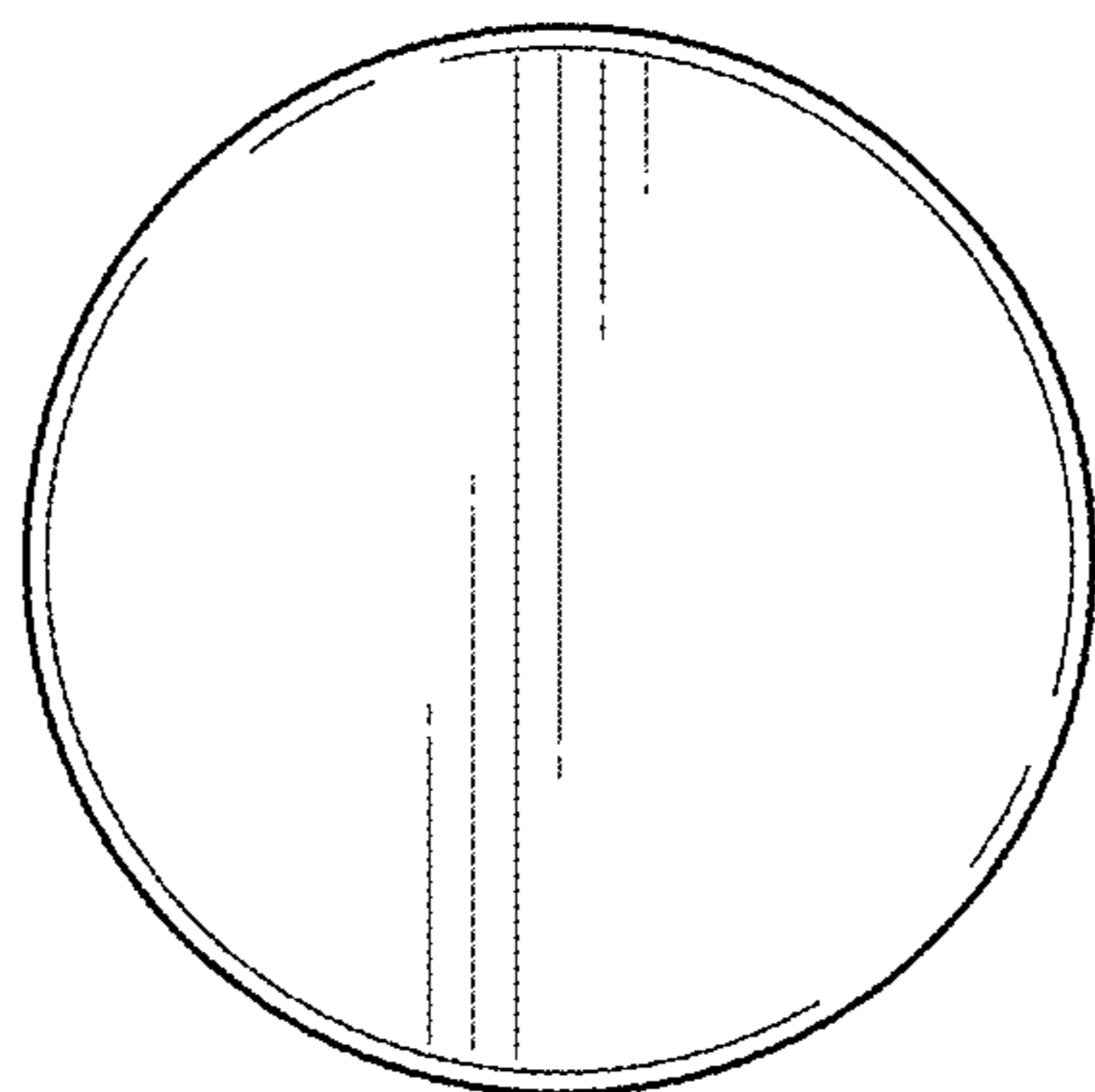


FIG. 2

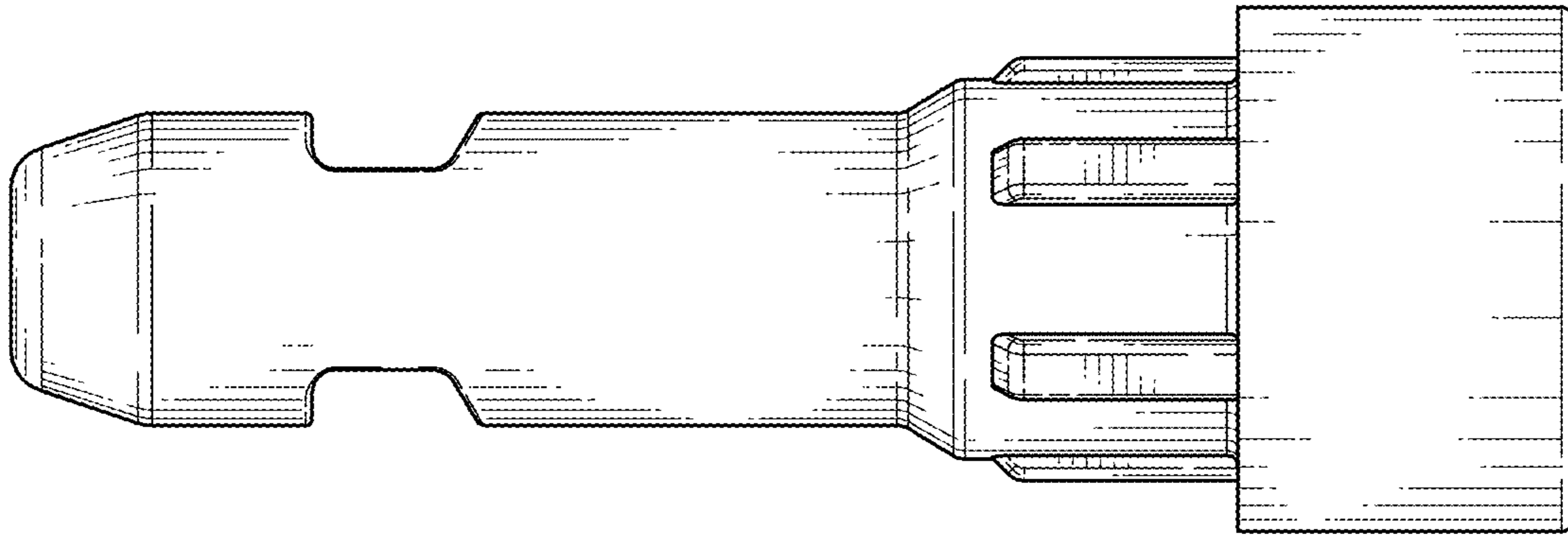


FIG. 3

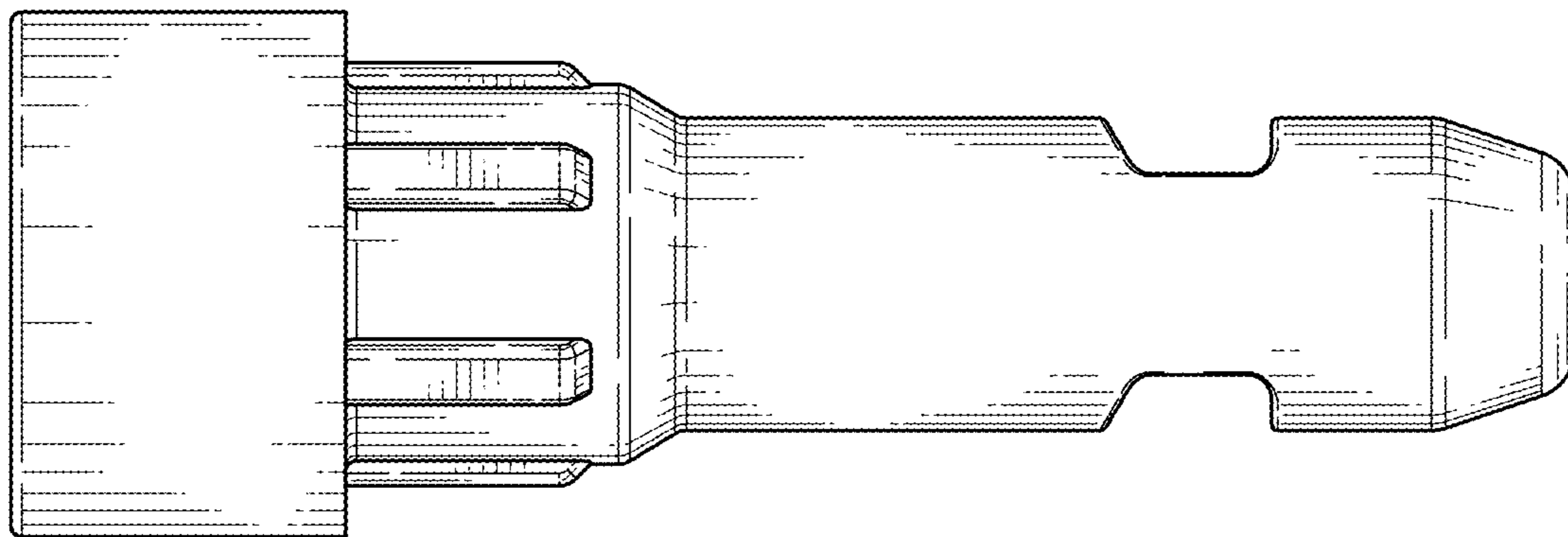


FIG. 4

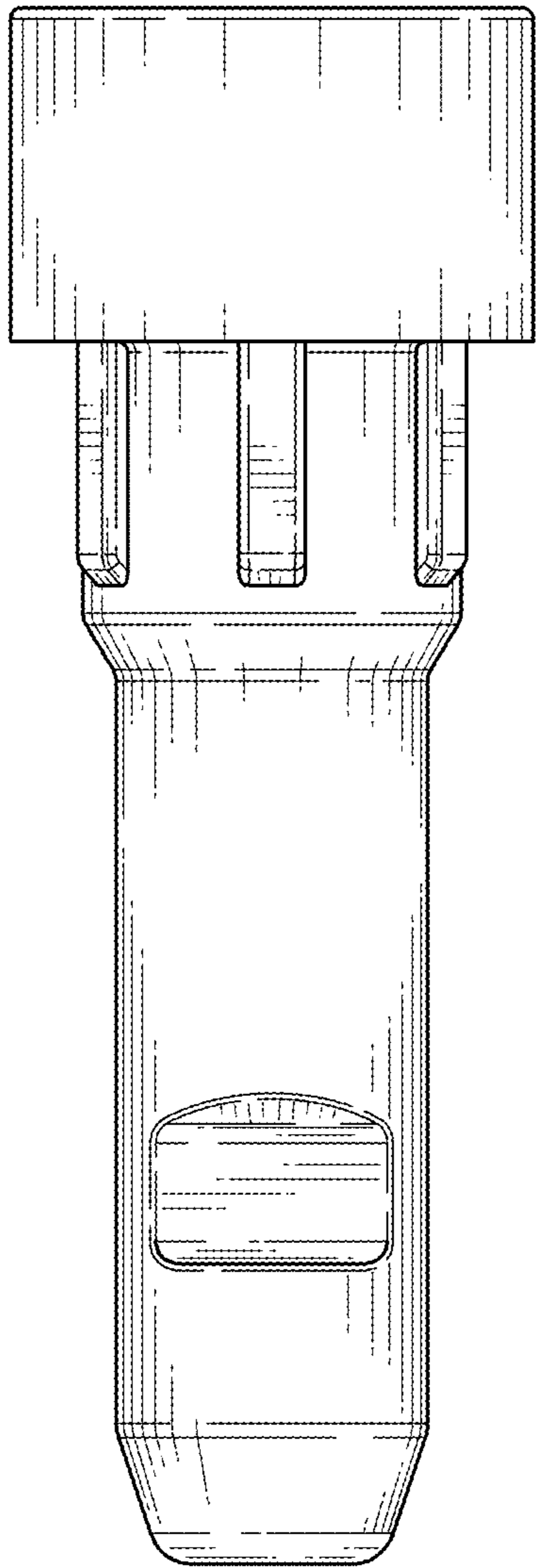


FIG. 5

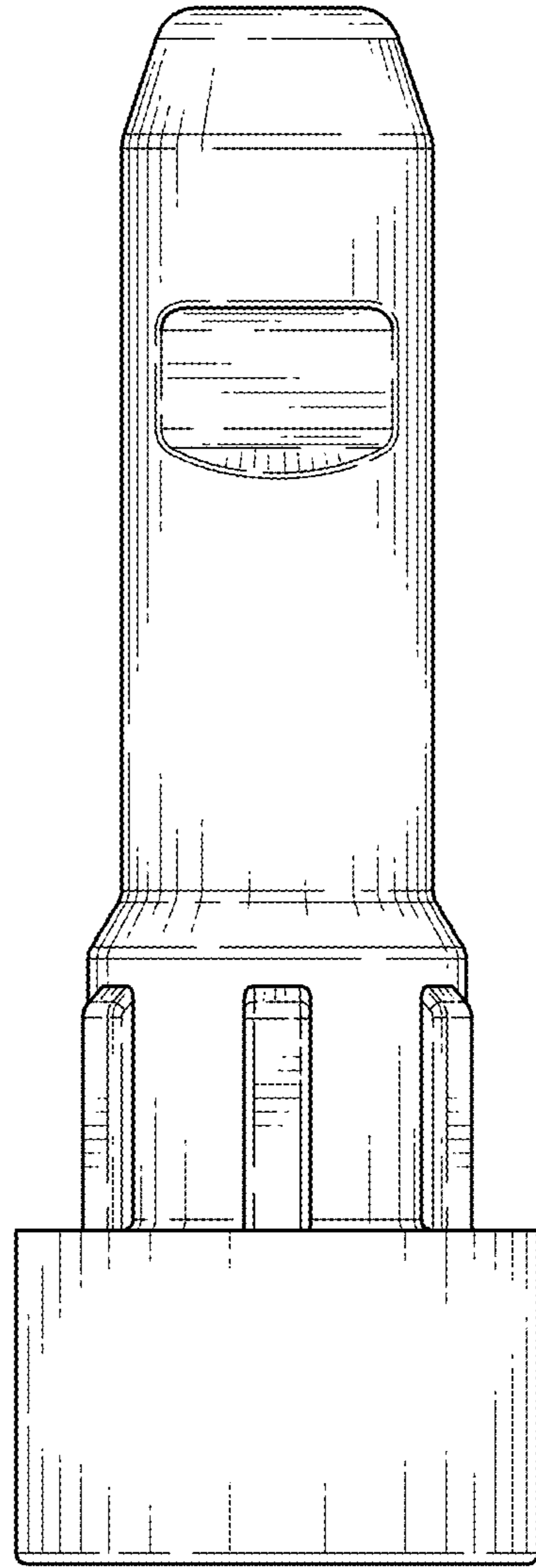


FIG. 6

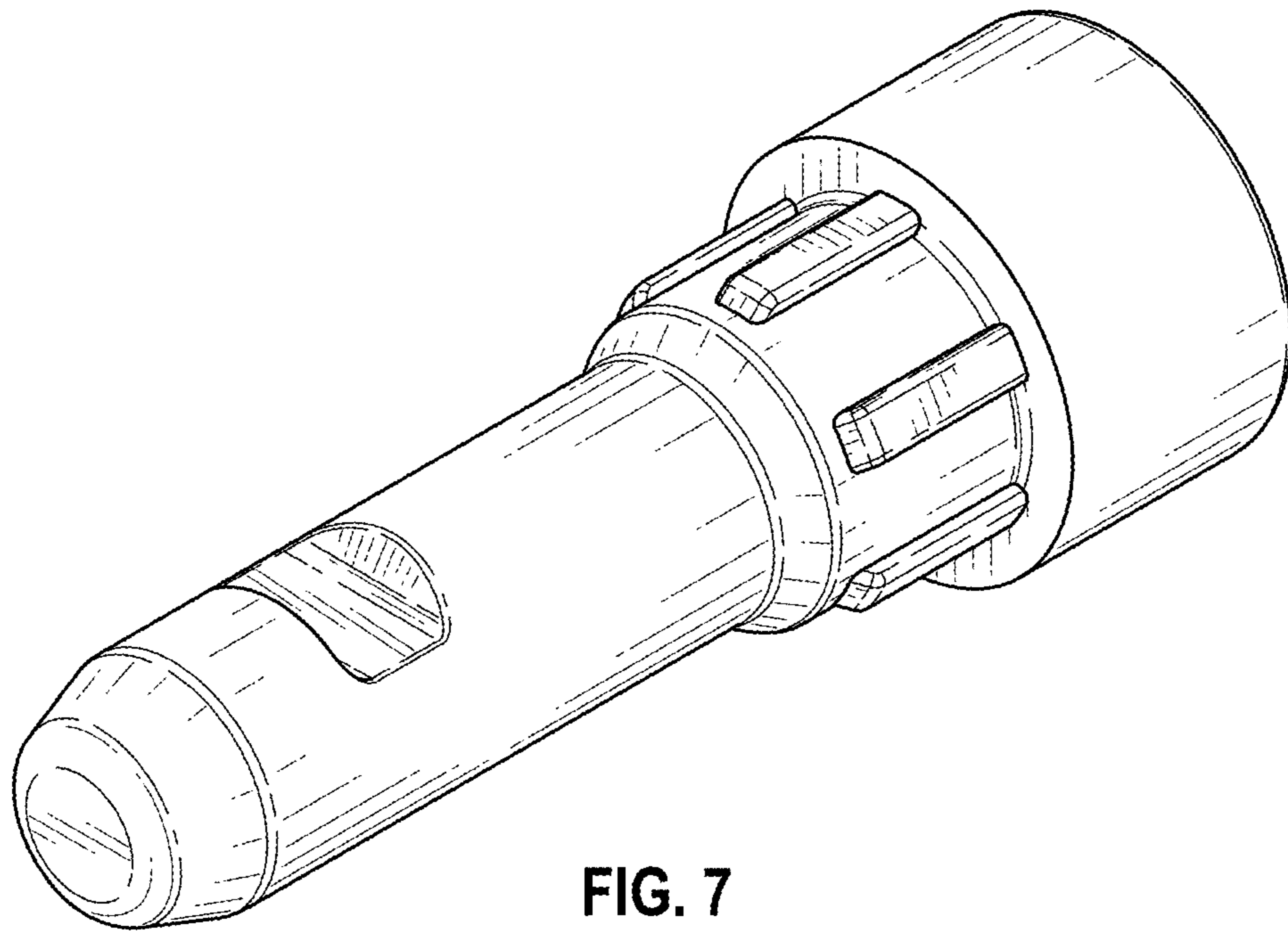


FIG. 7

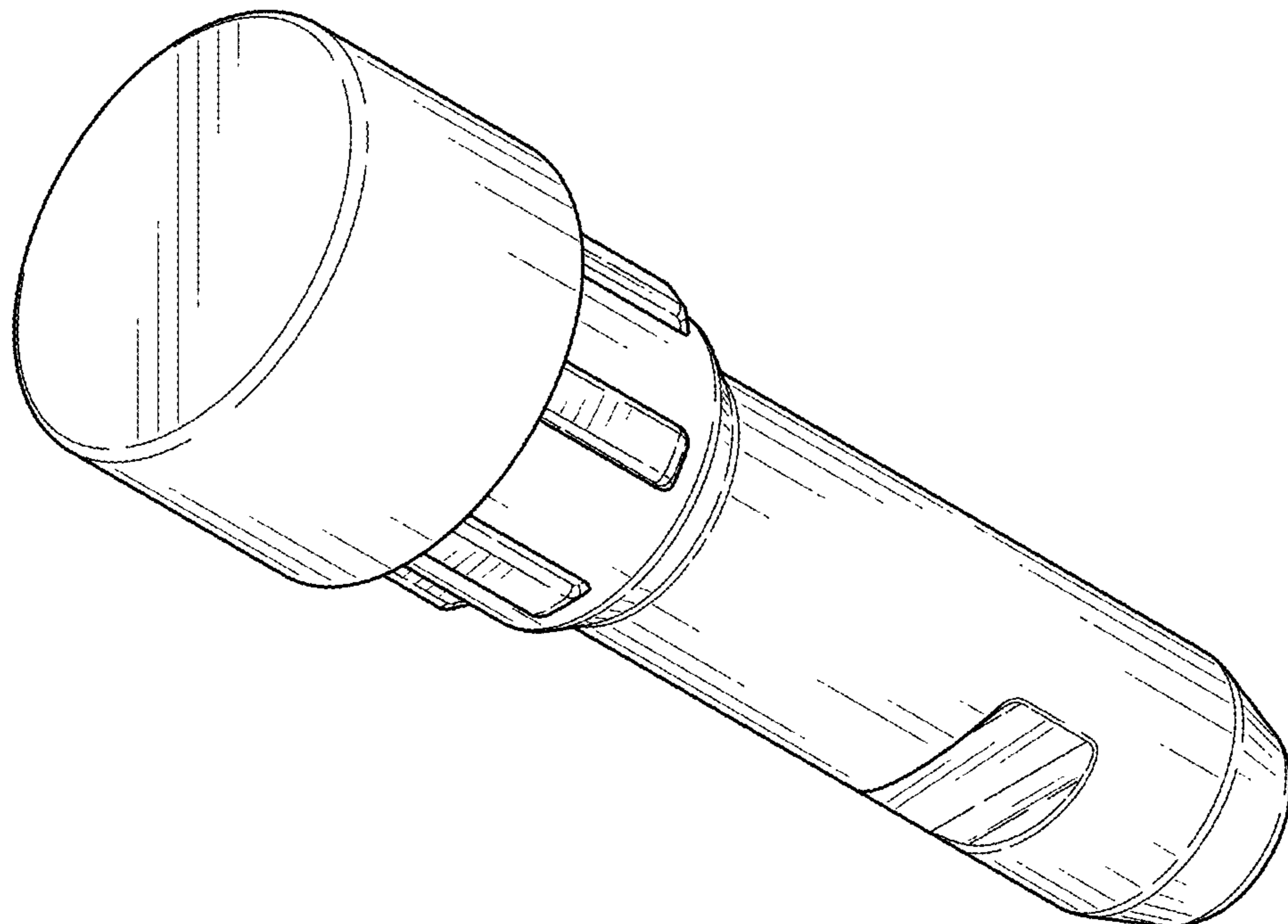


FIG. 8