



US00D880421S

(12) **United States Design Patent**  
**Koike et al.**

(10) **Patent No.:** **US D880,421 S**

(45) **Date of Patent:** **\*\* Apr. 7, 2020**

(54) **INPUT DEVICE WITH TACTILE FUNCTION**

(71) Applicant: **ALPS ALPINE CO., LTD.**, Tokyo (JP)

(72) Inventors: **Asuka Koike**, Miyagi (JP); **Kazunari Takahashi**, Miyagi (JP)

(73) Assignee: **ALPS ALPINE CO., LTD.**, Tokyo (JP)

(\*\*) Term: **15 Years**

(21) Appl. No.: **29/644,379**

(22) Filed: **Apr. 17, 2018**

(30) **Foreign Application Priority Data**

Dec. 28, 2017 (JP) ..... 2017-029453

(51) **LOC (12) Cl.** ..... **13-01**

(52) **U.S. Cl.**  
USPC ..... **D13/118**

(58) **Field of Classification Search**  
USPC ..... D13/101, 110, 112, 113, 114, 117, 118,  
D13/122, 162, 166, 169, 199; D14/388,  
D14/432, 454, 456; D15/5; D10/81  
CPC ..... G03B 27/465; H01H 36/008; G05G 1/10;  
G05G 5/03; G06F 3/014  
See application file for complete search history.

(56) **References Cited**

**U.S. PATENT DOCUMENTS**

3,768,714 A \* 10/1973 Applequist ..... G03B 27/465  
226/37  
D433,998 S \* 11/2000 Ishitsuka ..... D13/123

D447,489 S \* 9/2001 Antony ..... D15/5  
D469,094 S \* 1/2003 Nakamura ..... D14/402  
D479,541 S \* 9/2003 Lannoch ..... D15/148  
D722,560 S \* 2/2015 Lau ..... D13/112  
2009/0140585 A1\* 6/2009 Pant ..... H02K 5/225  
310/71

**FOREIGN PATENT DOCUMENTS**

JP D1095597 10/2000  
JP D1285324 9/2006  
JP D1379552 1/2010  
JP D1576249 4/2017

\* cited by examiner

*Primary Examiner* — Derrick E Holland

(74) *Attorney, Agent, or Firm* — IPUSA, PLLC

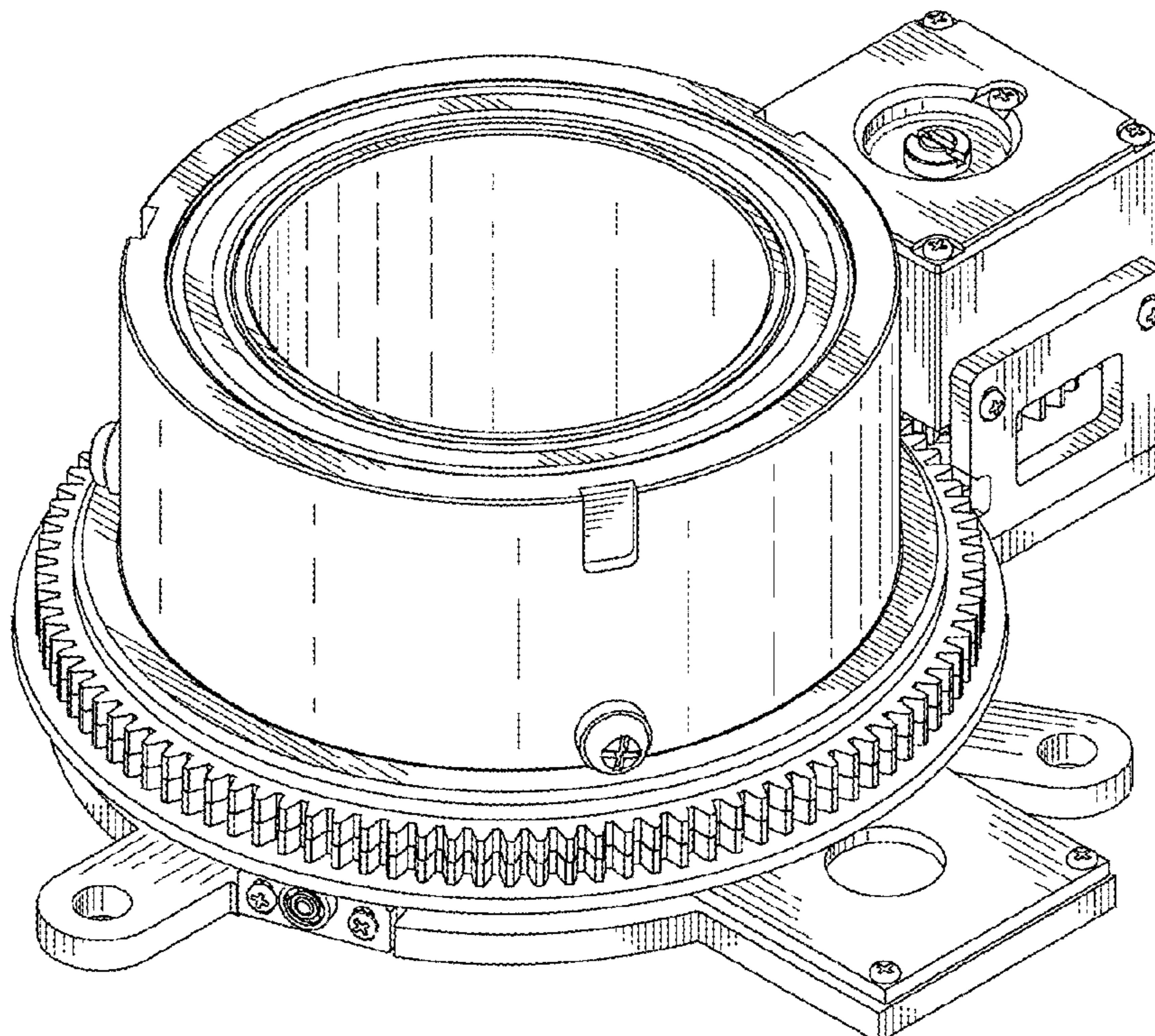
(57) **CLAIM**

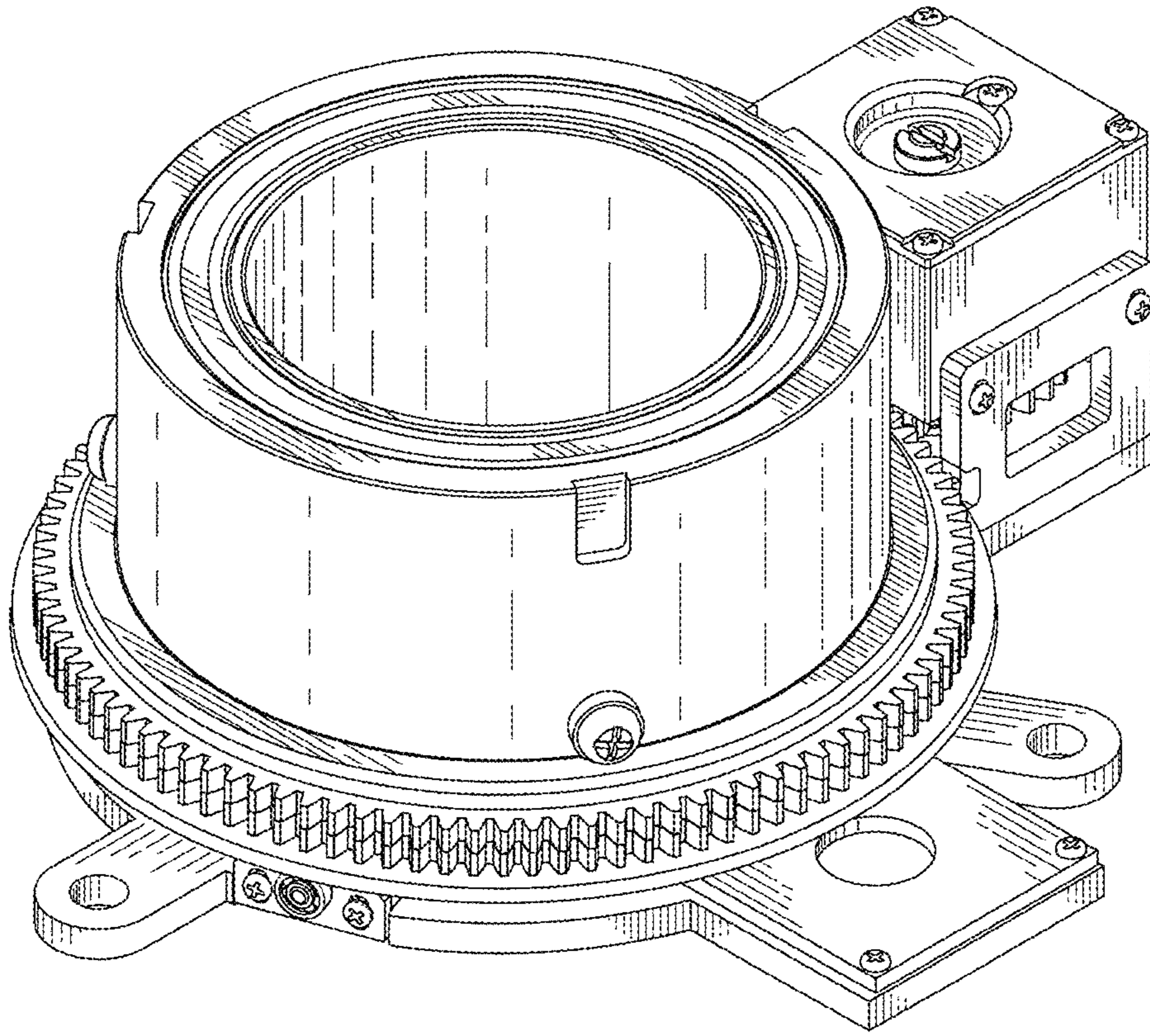
The ornamental design for an input device with tactile function, as shown and described.

**DESCRIPTION**

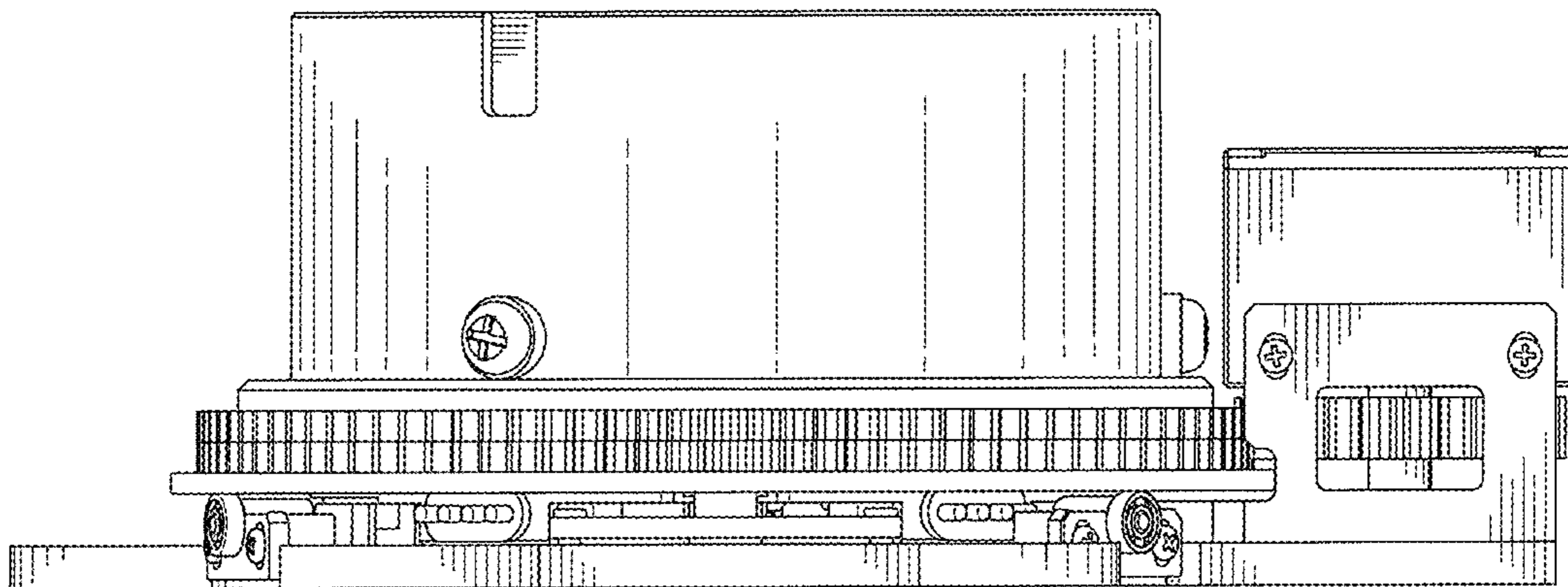
FIG. 1 is a perspective view of an input device with tactile function, showing our new design;  
FIG. 2 is a front view thereof;  
FIG. 3 is a rear view thereof;  
FIG. 4 is a top plan view thereof;  
FIG. 5 is a bottom plan view thereof;  
FIG. 6 is a right side view thereof; and,  
FIG. 7 is a left side view thereof.

**1 Claim, 4 Drawing Sheets**

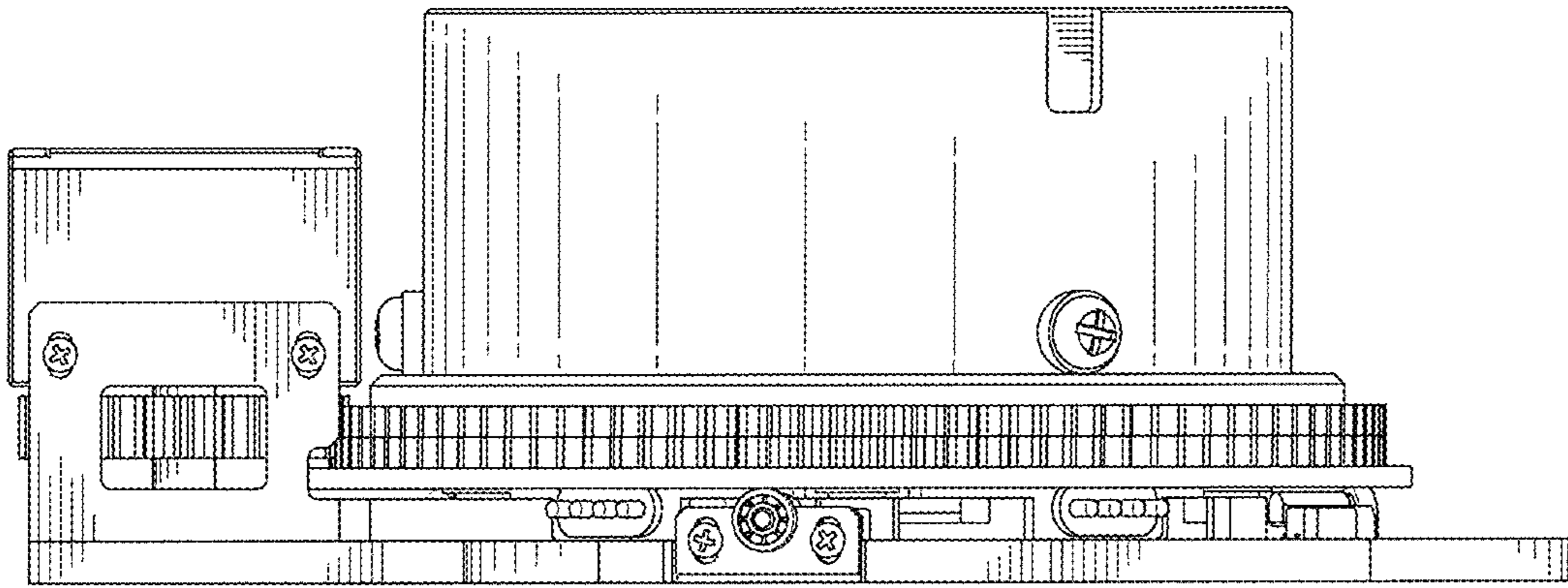




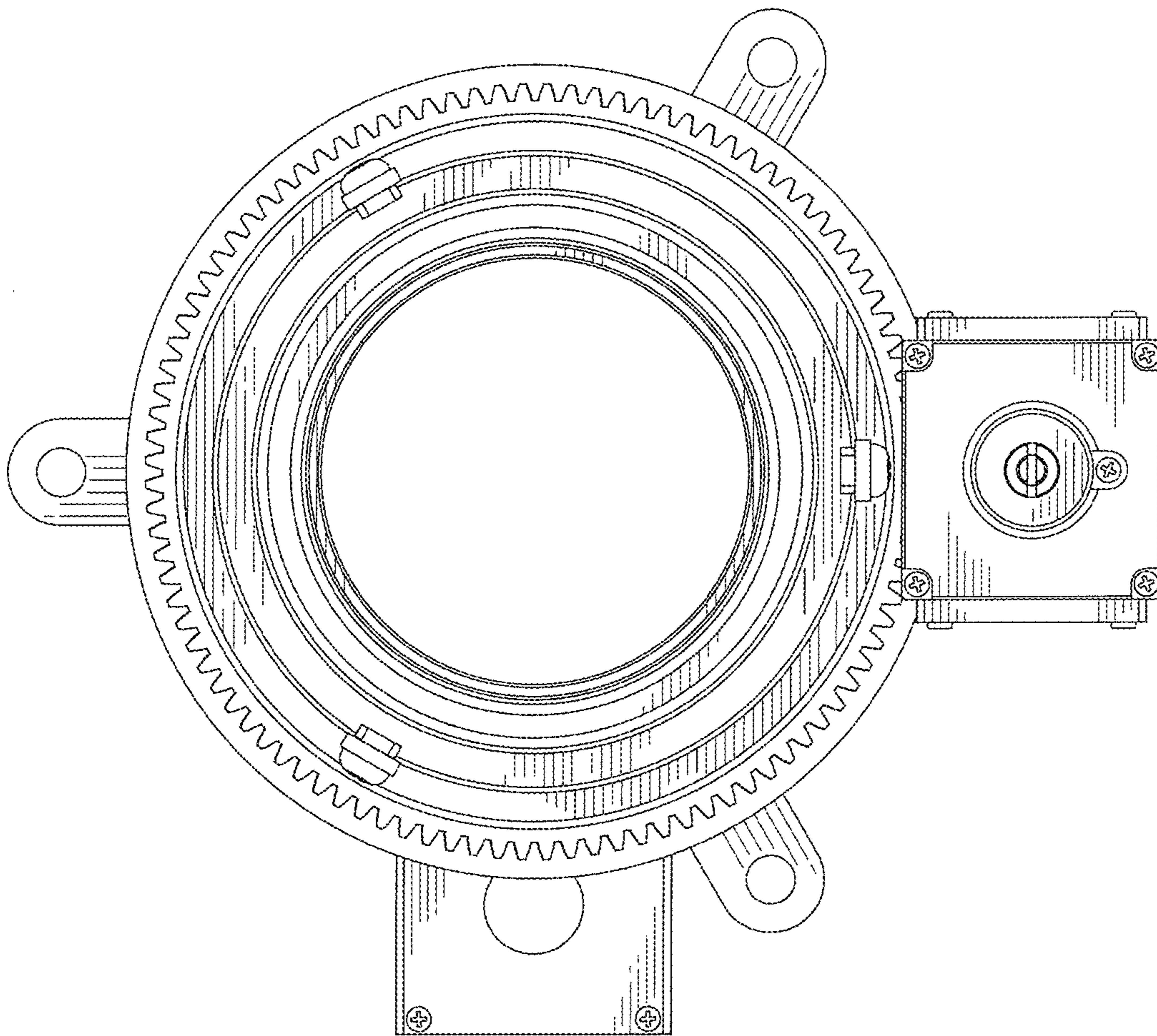
*Fig. 1*



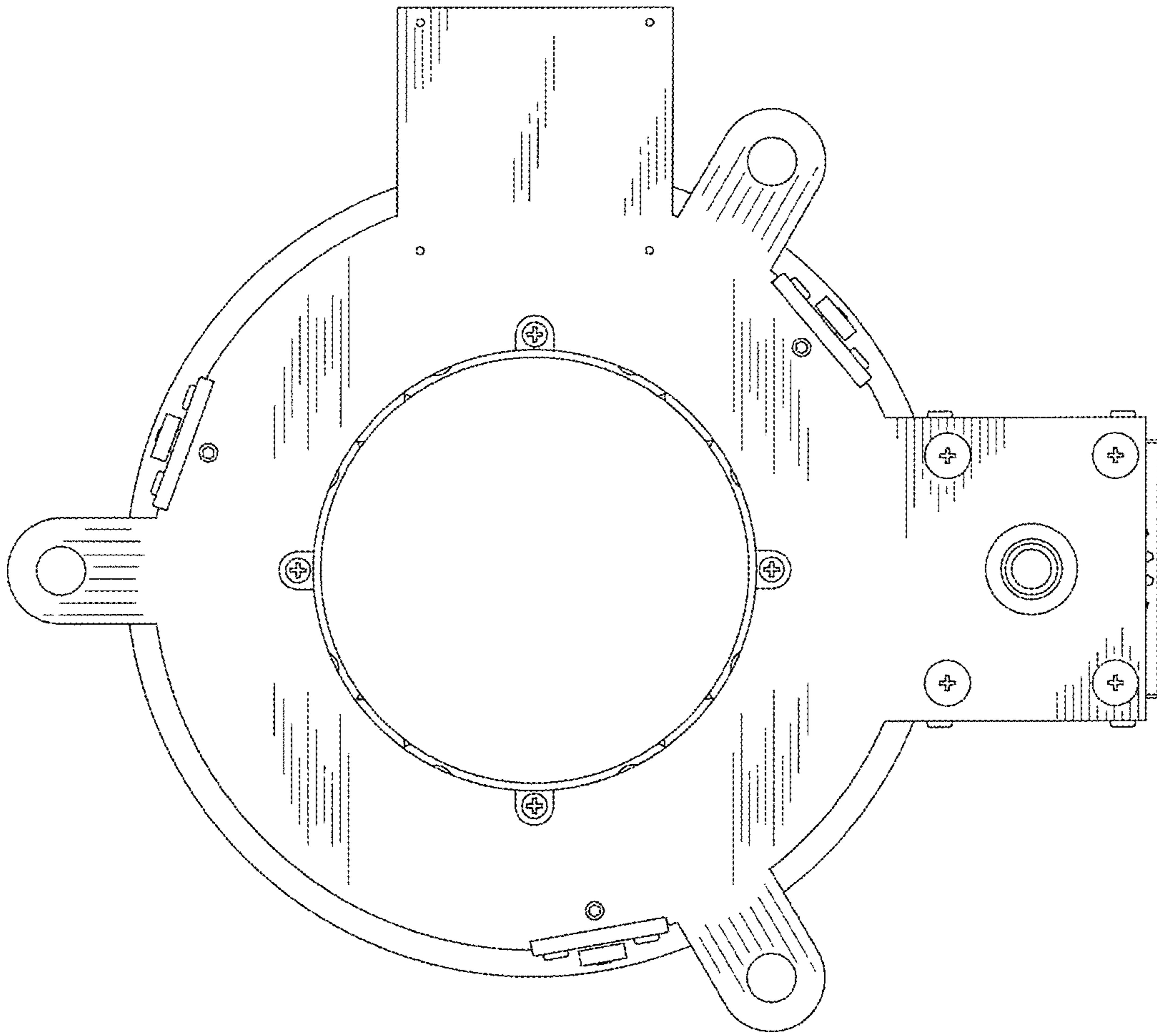
*Fig. 2*



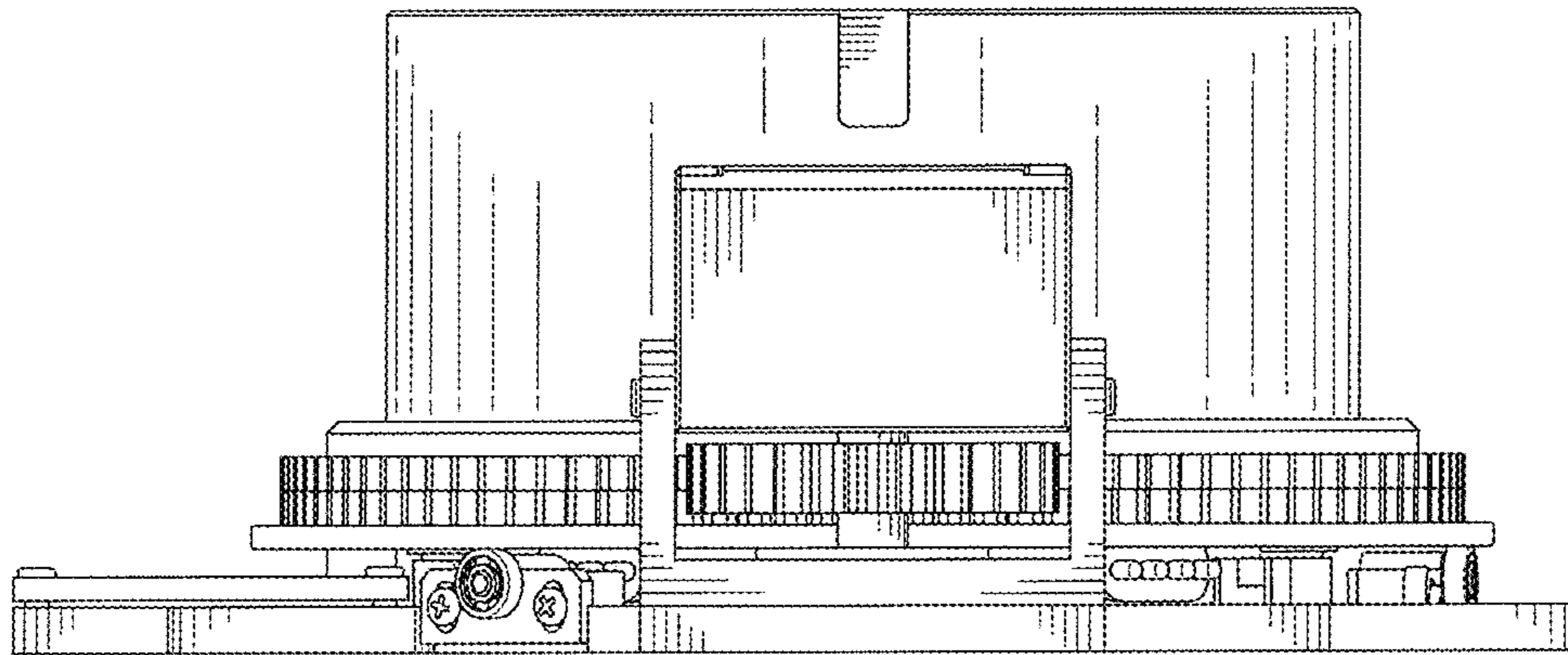
*Fig. 3*



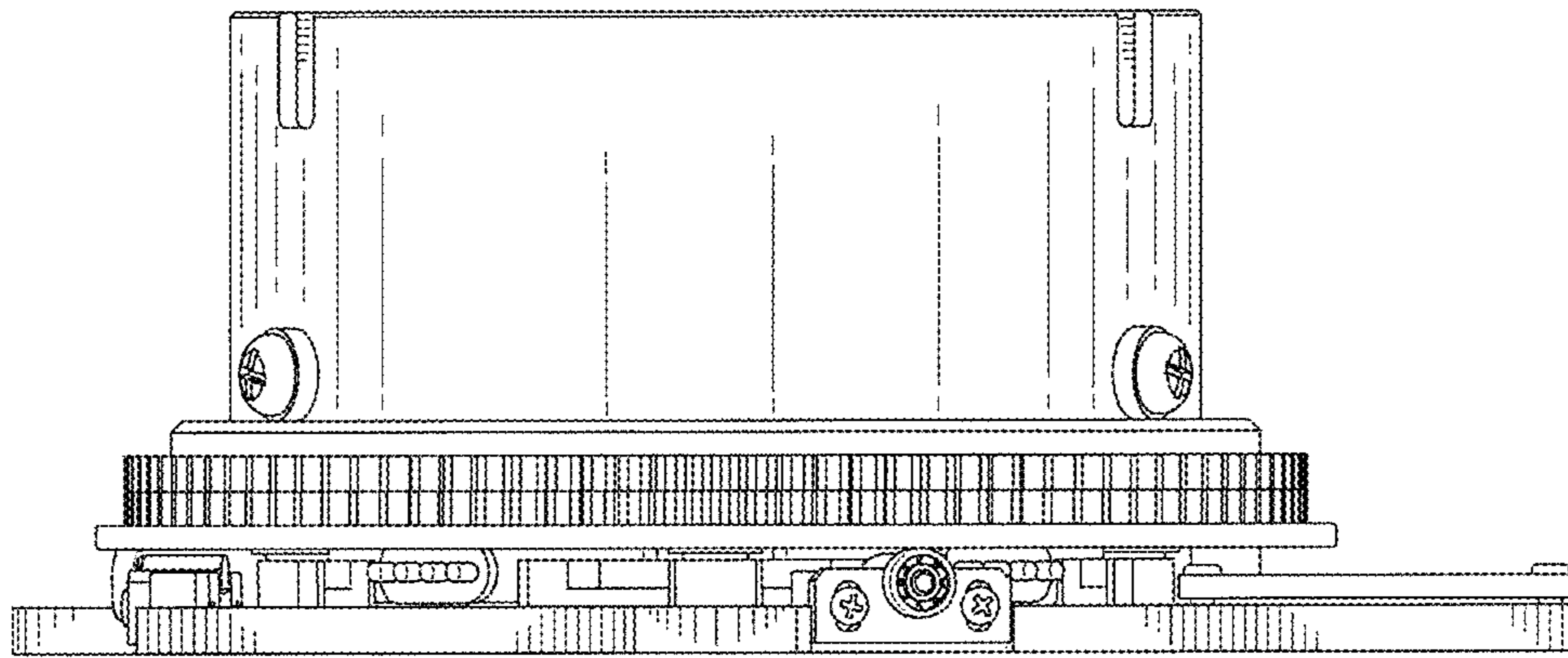
*Fig. 4*



*Fig. 5*



*Fig. 6*



*Fig. 7*