



US00D880419S

(12) **United States Design Patent**  
**Hernandez et al.**

(10) **Patent No.:** **US D880,419 S**

(45) **Date of Patent:** **\*\* Apr. 7, 2020**

(54) **CHARGING STAND**

(71) Applicant: **THERAGUN, LLC**, Santa Monica, CA (US)

(72) Inventors: **Trent Hernandez**, Los Angeles, CA (US); **Dennis Matthew Puhalla**, Chicago, IL (US); **Jillian Tackaberry**, Chicago, IL (US); **Gary Paulsen**, Chicago, IL (US)

(73) Assignee: **THERAGUN, INC.**, Beverly Hills, CA (US)

(\*\*) Term: **15 Years**

(21) Appl. No.: **29/679,885**

(22) Filed: **Feb. 11, 2019**

(51) **LOC (12) Cl.** ..... **13-02**

(52) **U.S. Cl.**  
USPC ..... **D13/108**

(58) **Field of Classification Search**  
USPC ..... D13/103, 107-108, 110, 118, 184, 199;  
D14/251, 253, 432, 434  
CPC ..... H02J 7/02; H02J 7/0013; H02J 7/0021;  
H02J 7/0022; H02J 7/0026; H02J 7/0027;  
H02J 7/0042; H02J 7/0044; H02J 7/0045;  
H02J 7/0003; H01M 10/44; H01M  
10/441

See application file for complete search history.

(56) **References Cited**

**U.S. PATENT DOCUMENTS**

D343,841 S \* 2/1994 Hon ..... D13/108  
D360,723 S \* 7/1995 Kasai ..... D13/108

D366,237 S \* 1/1996 Yang ..... D13/108  
D369,797 S \* 5/1996 Hillier ..... D13/108  
5,689,171 A \* 11/1997 Ludewig ..... H02J 7/0042  
320/110  
D396,447 S \* 7/1998 Lloyd ..... D13/107  
D434,372 S \* 11/2000 Buchin ..... D13/108  
D466,476 S \* 12/2002 Stratford ..... D13/108  
D547,265 S \* 7/2007 Aglassinger ..... D13/108  
D551,618 S \* 9/2007 Aglassinger ..... D13/108  
D564,445 S \* 3/2008 Stratford ..... D13/108  
D566,041 S \* 4/2008 Stratford ..... D13/108  
D597,940 S \* 8/2009 Navid ..... D13/108  
D605,588 S \* 12/2009 Nomi ..... D13/108  
D637,155 S \* 5/2011 Jeon ..... D13/108  
D697,474 S \* 1/2014 Manneschi ..... D13/108  
D723,464 S \* 3/2015 Dasbach ..... D13/110

\* cited by examiner

*Primary Examiner* — Rosemary K Tarcza

(74) *Attorney, Agent, or Firm* — Jeffer Mangels; Butler & Mitchell LLP; Brennan C. Swain, Esq.

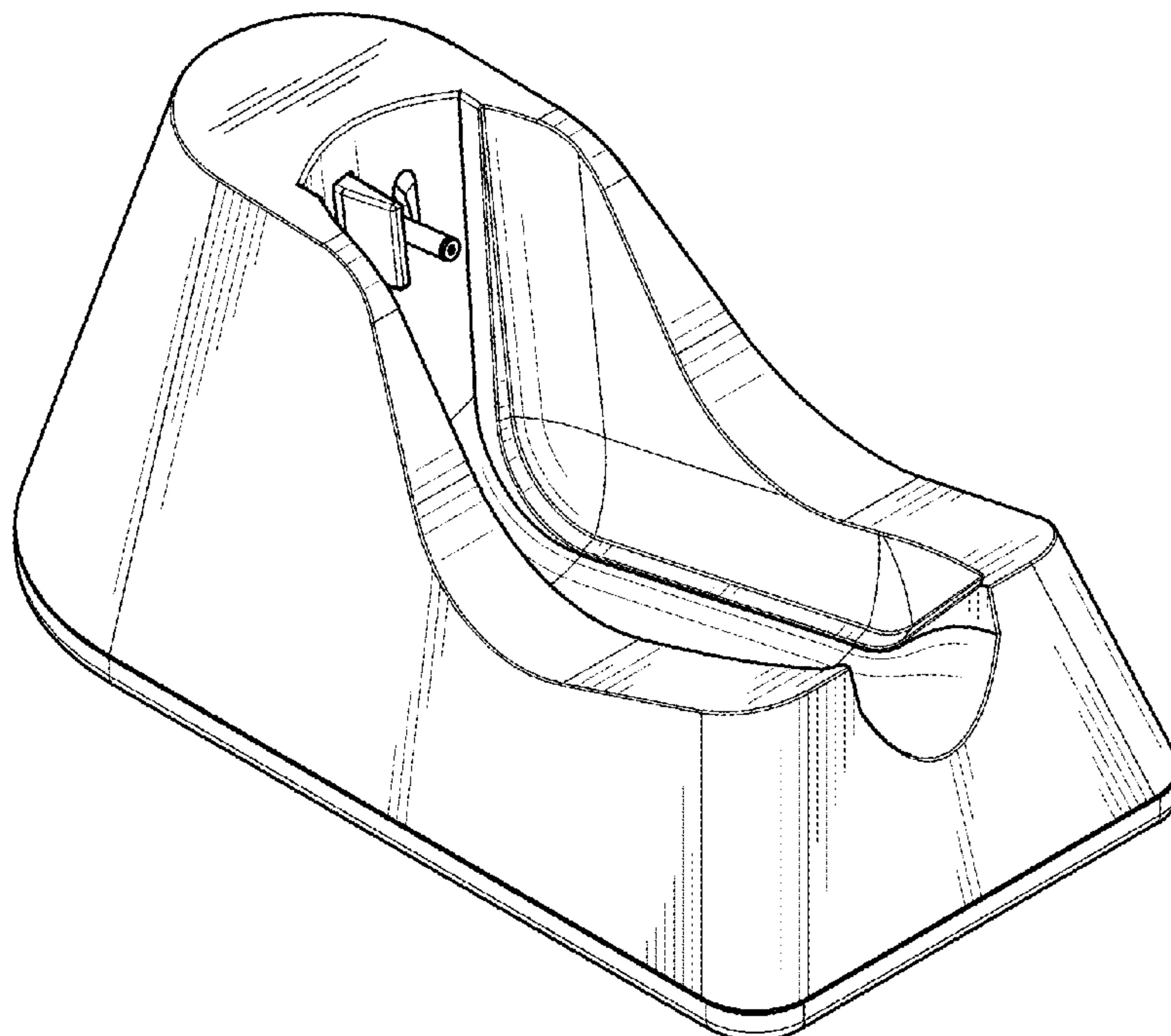
(57) **CLAIM**

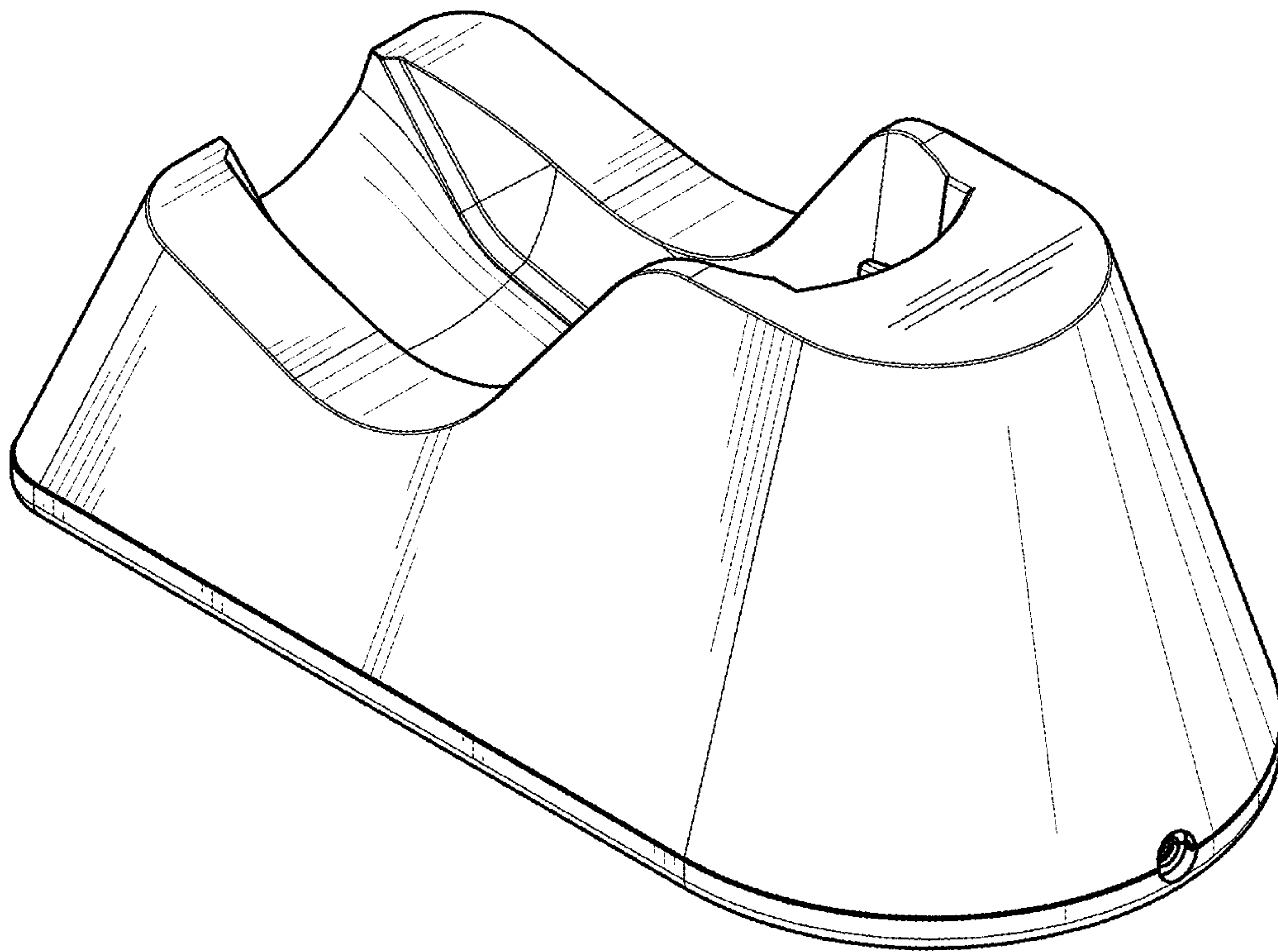
The ornamental design for a charging stand, as shown and described.

**DESCRIPTION**

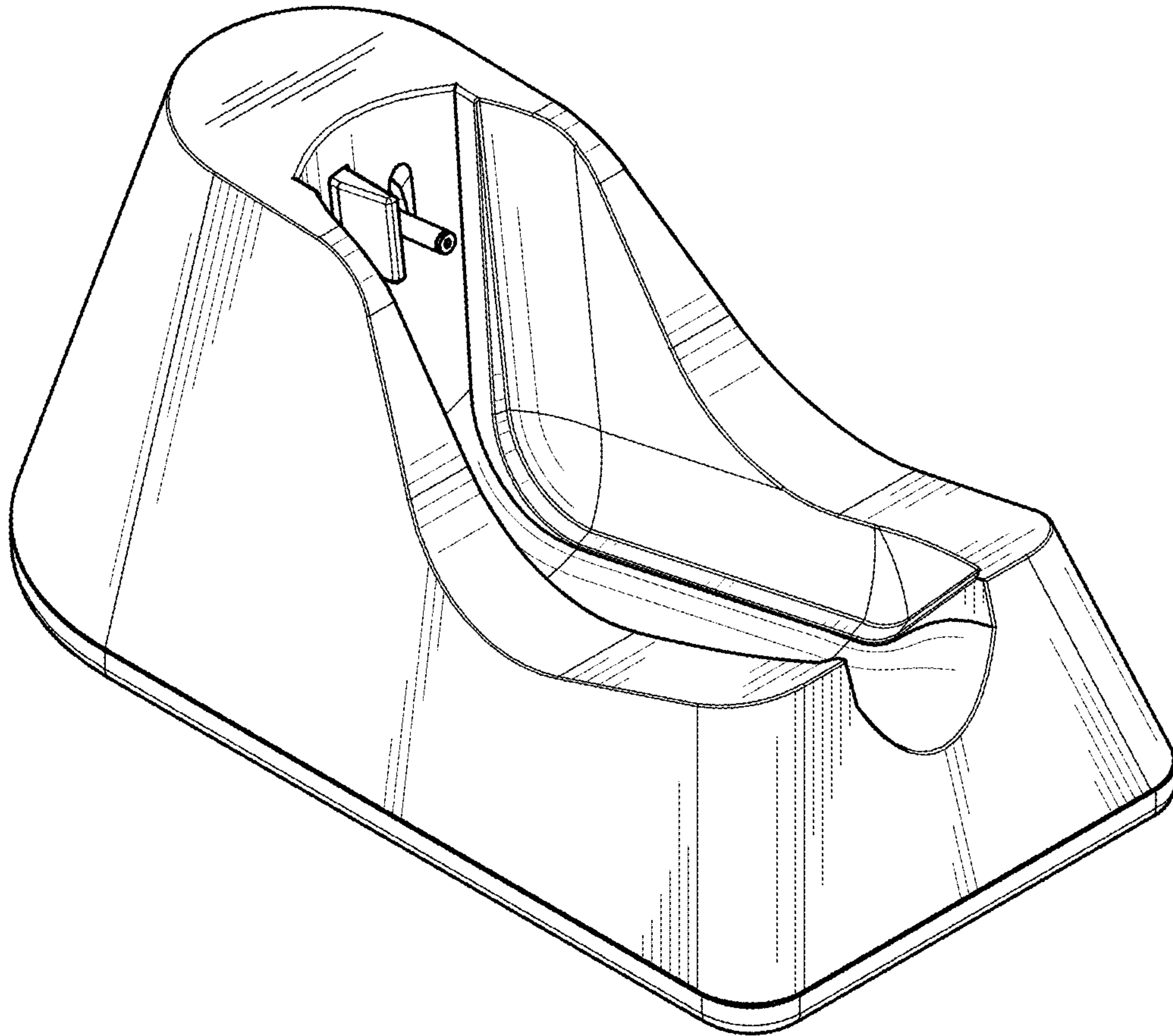
FIG. 1 is a front perspective view of the charging stand; FIG. 2 is a rear perspective view of the charging stand; FIG. 3 is a front elevational view of the charging stand; FIG. 4 is a rear elevational view of the charging stand; FIG. 5 is a right side elevational view of the charging stand, the left side elevational view being a mirror image thereof; and, FIG. 6 is a top plan view of the charging stand.

**1 Claim, 5 Drawing Sheets**

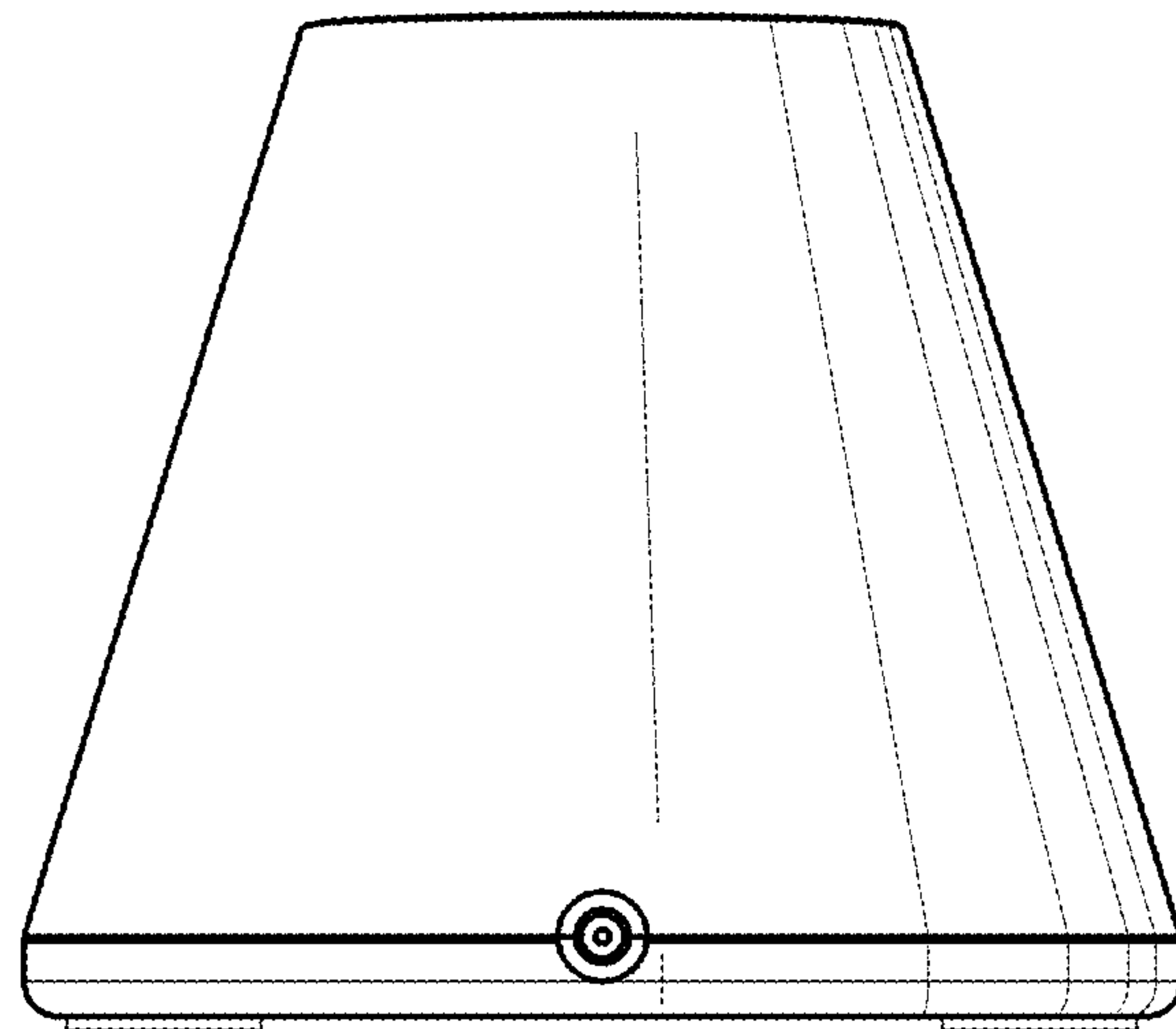




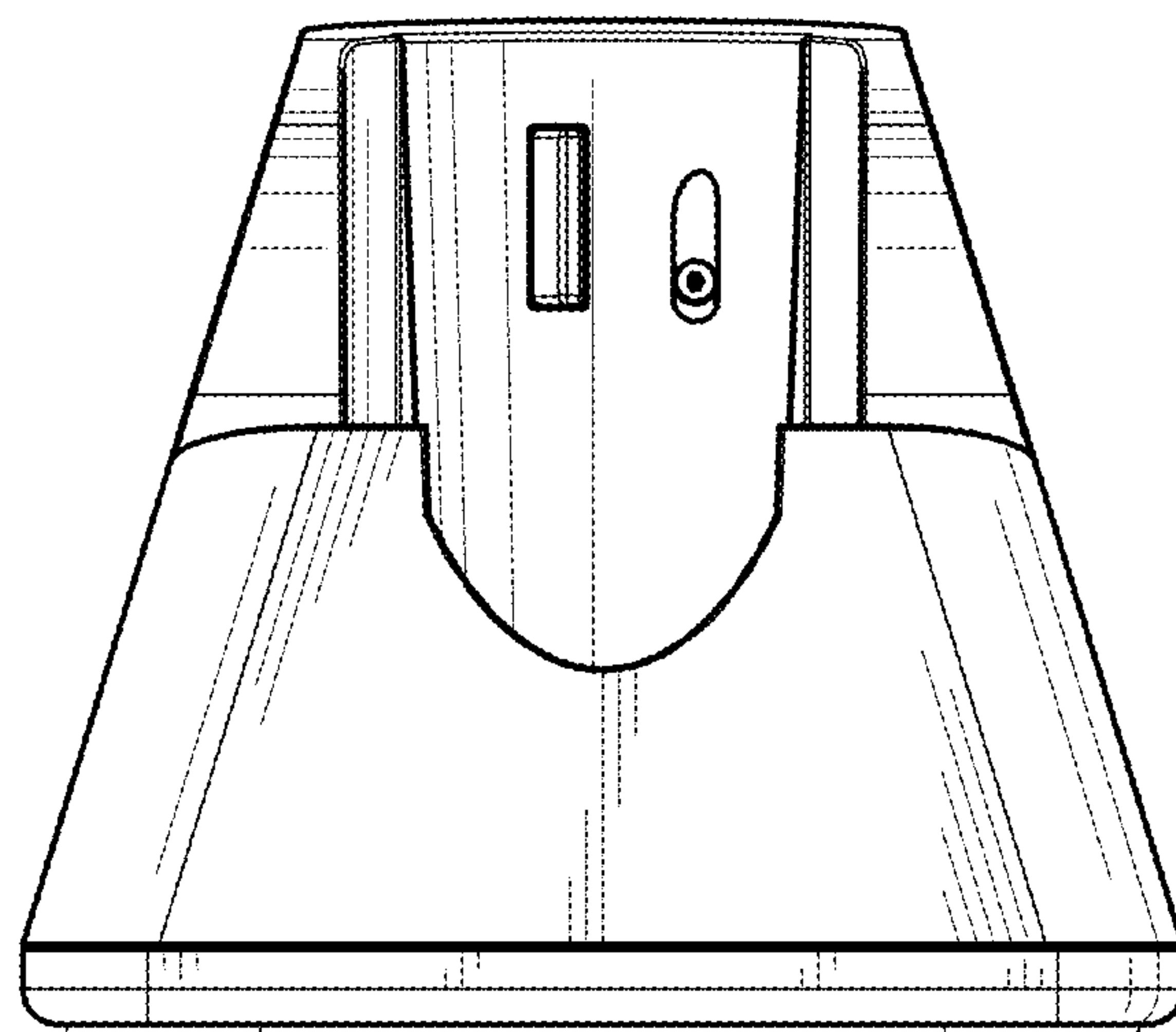
*FIG. 1*



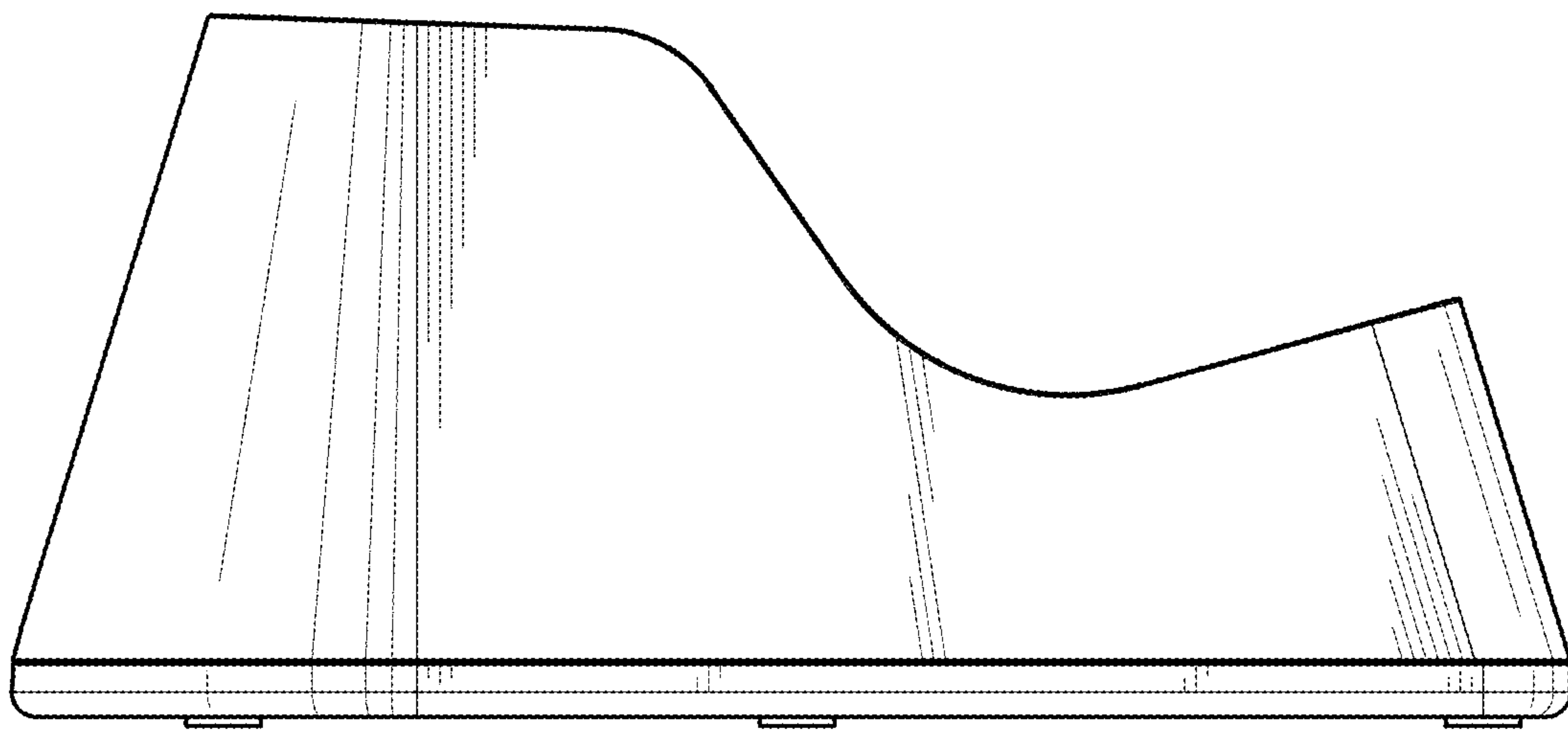
*FIG. 2*



*FIG. 3*

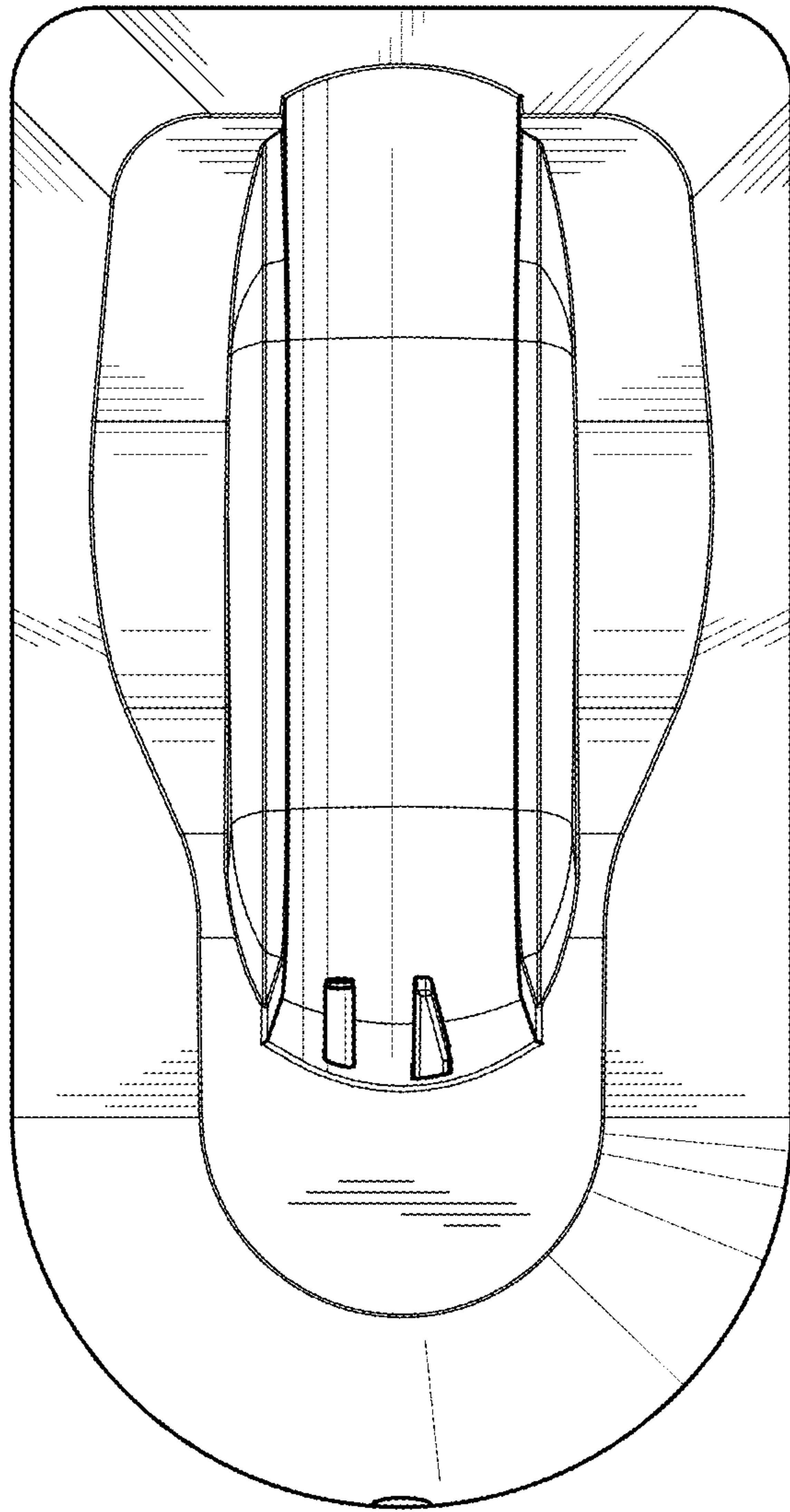


*FIG. 4*



*FIG. 5*





*FIG. 6*