



US00D880411S

(12) **United States Design Patent**
Liu et al.

(10) **Patent No.:** **US D880,411 S**
(45) **Date of Patent:** **** Apr. 7, 2020**

(54) **TIRE THREAD**

(71) Applicant: **PRINX CHENGSHAN (QINGDAO) INDUSTRIAL RESEARCH AND DESIGN CO., LTD.**, Qingdao, Shandong Province (CN)

(72) Inventors: **Lianbo Liu**, Qingdao (CN); **Zhe Luo**, Qingdao (CN); **Guohong Yu**, Qingdao (CN); **Shiduo Ren**, Qingdao (CN); **Yan Liu**, Qingdao (CN)

(**) Term: **15 Years**

(21) Appl. No.: **29/643,954**

(22) Filed: **Apr. 13, 2018**

(51) **LOC (12) Cl.** **12-15**

(52) **U.S. Cl.**
USPC **D12/600**

(58) **Field of Classification Search**
USPC D12/500, 568, 574-605
CPC Y10T 152/10027; B60C 1/0016; B60C 11/0306; B60C 11/0302; B60C 3/06; B60C 9/17
See application file for complete search history.

(56) **References Cited**

U.S. PATENT DOCUMENTS

D517,471 S *	3/2006	Robert	D12/600
D517,978 S *	3/2006	Robert	D12/600
D608,729 S *	1/2010	Brown	D12/600
D609,175 S *	2/2010	Feider	D12/586

D642,974 S *	8/2011	Koshio	D12/588
D713,783 S *	9/2014	Buchinger-Barnstorf	...	D12/600
D719,907 S *	12/2014	Ohara	D12/588
D737,755 S *	9/2015	Hermann	D12/600
D746,225 S *	12/2015	Koog	D12/600
D761,194 S *	7/2016	Dixon	D12/600
D826,141 S *	8/2018	Castellini	D12/604
D828,290 S *	9/2018	Reygrobellet	D12/588

* cited by examiner

Primary Examiner — Lakiya G Rogers

Assistant Examiner — John A Voytek

(74) *Attorney, Agent, or Firm* — Getech Law LLC; Jun Ye

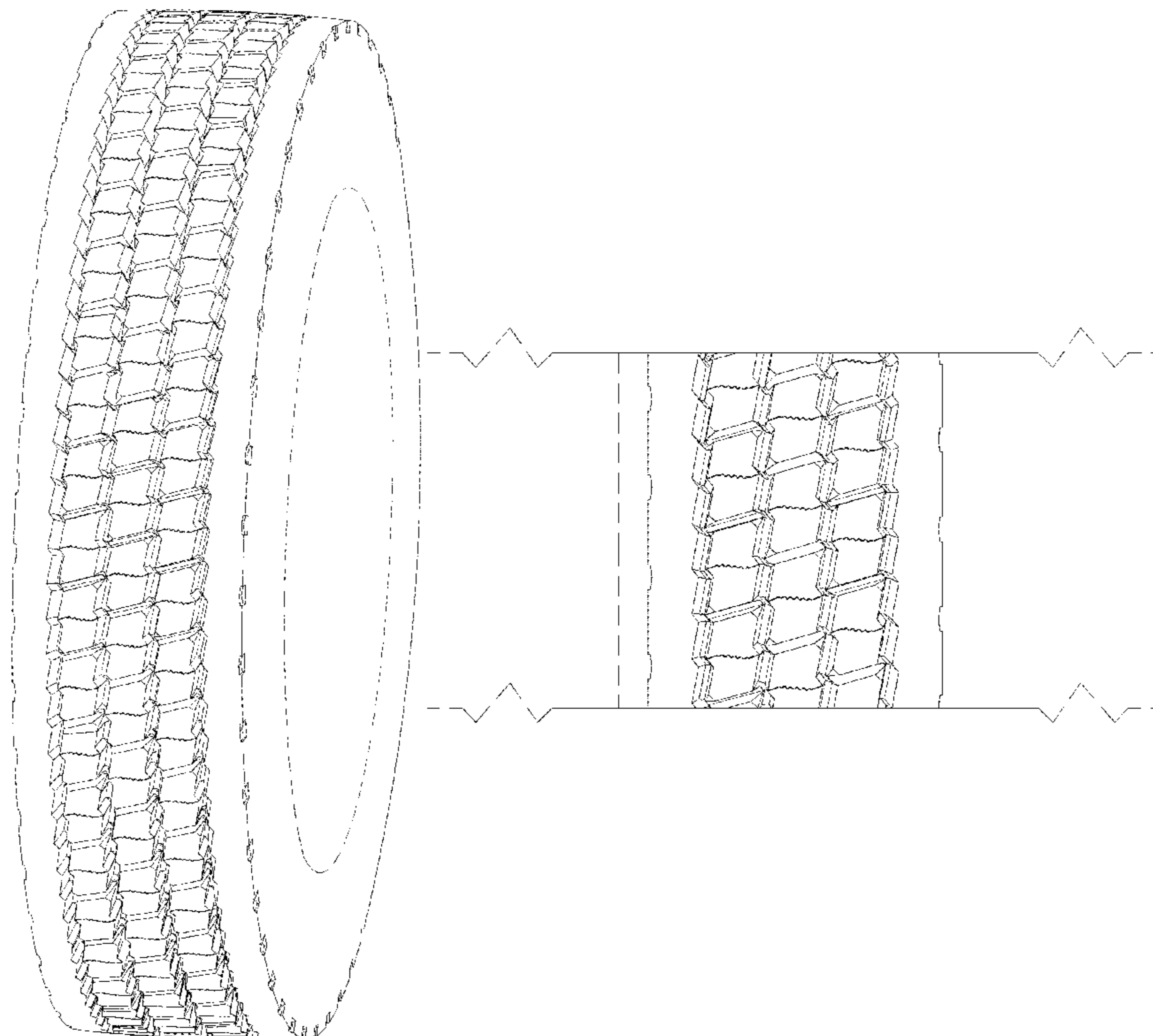
(57) **CLAIM**

The ornamental design for a tire tread, as shown and described.

DESCRIPTION

FIG. 1 is a perspective view of the tire tread showing the design;
FIG. 2 is a front elevational view thereof, a rear elevational view is identical to the front elevational view, a top plan view is identical to the front elevational view, and a bottom plan view is identical to the front elevational view;
FIG. 3 is a left side view thereof, and a right side view thereof is identical to the left side view; and,
FIG. 4 is an enlarged, partial view of the tread in FIG. 1.
In the drawings, the broken lines showing portions of the sidewall and inner bead depict portions of the tire that form no part of the claimed design.

1 Claim, 4 Drawing Sheets



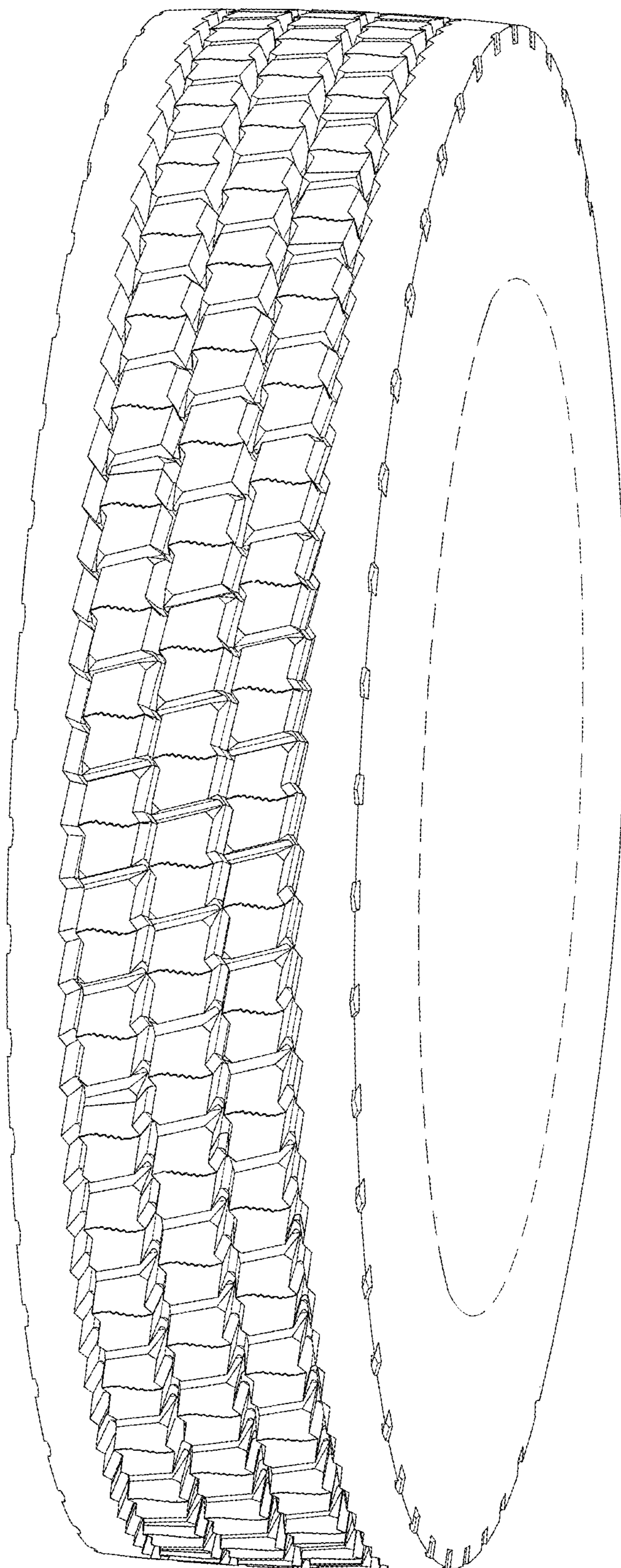


FIG. 1

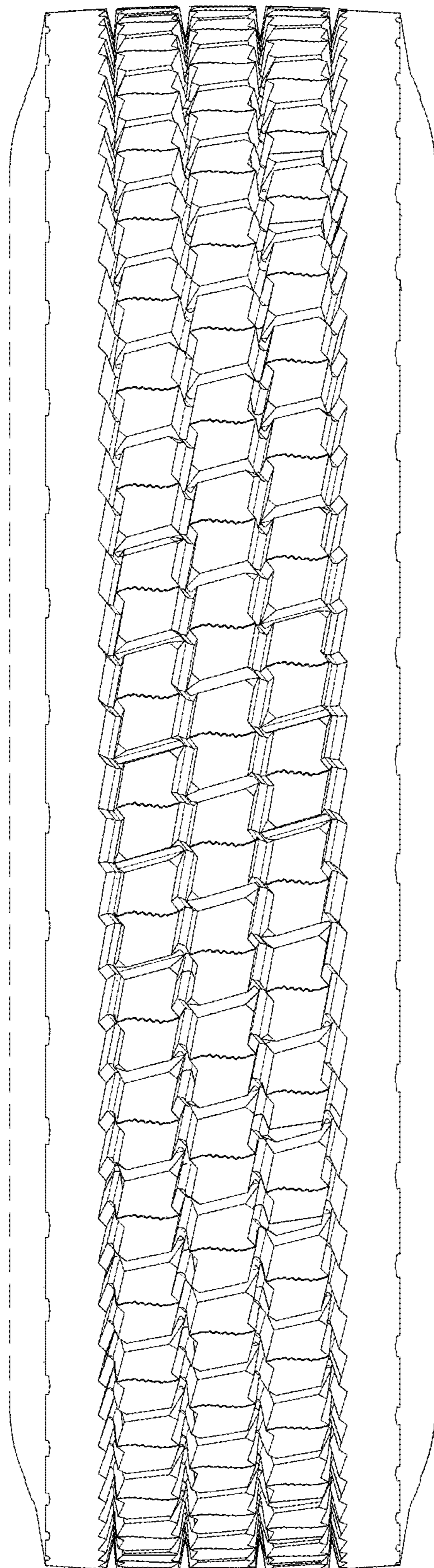


FIG. 2

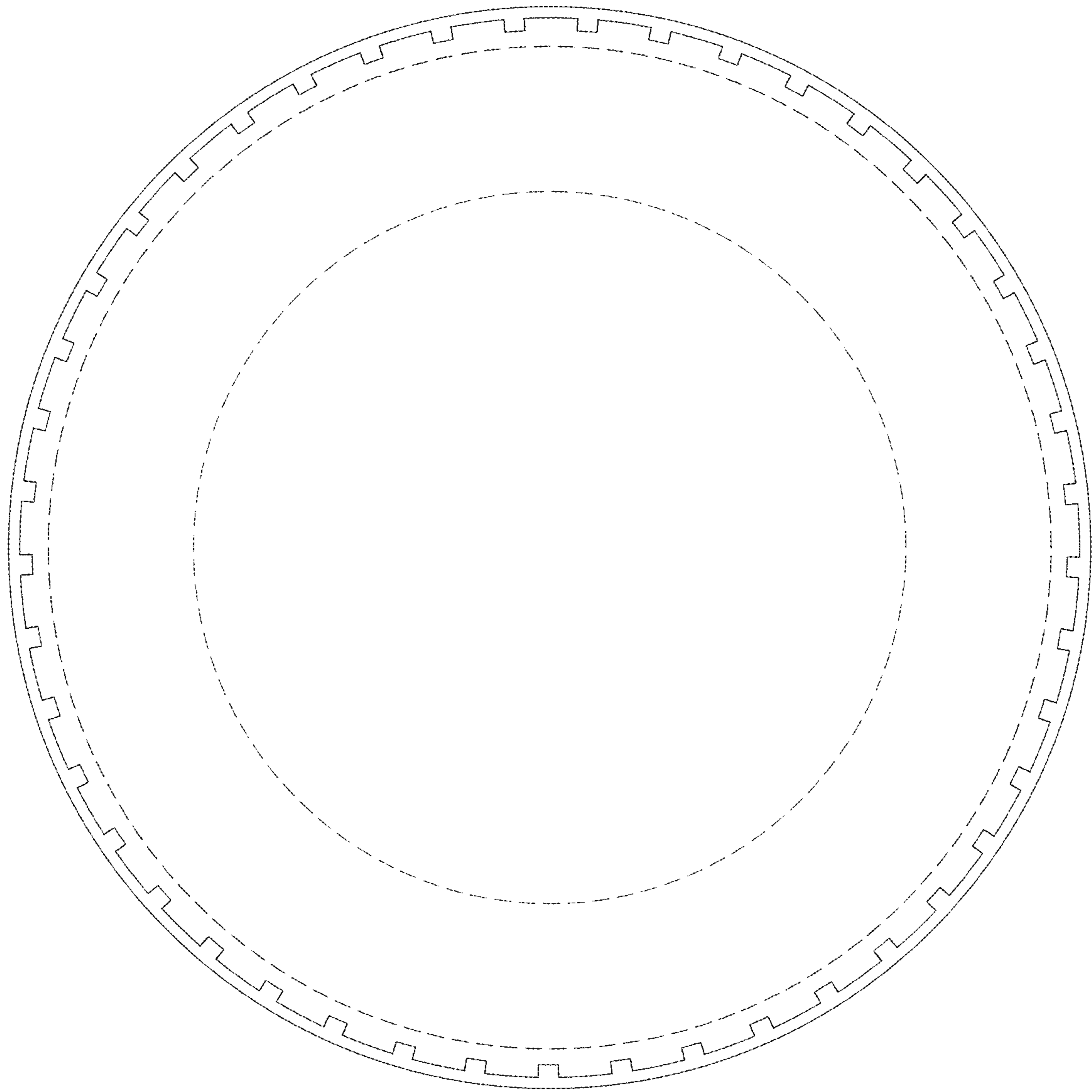


FIG. 3

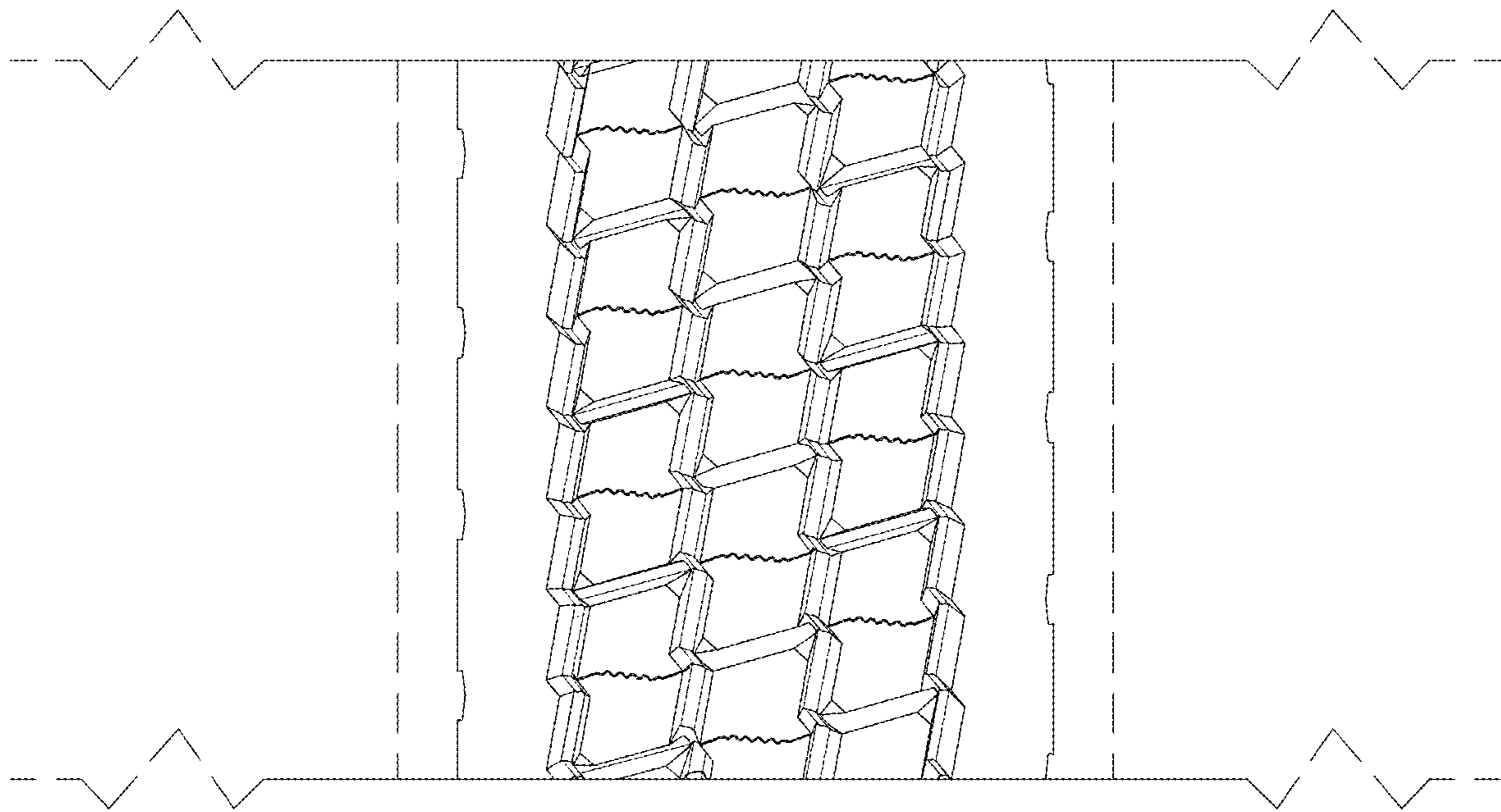


FIG. 4