



US00D880405S

(12) **United States Design Patent** (10) **Patent No.:** **US D880,405 S**
Geng et al. (45) **Date of Patent:** **** Apr. 7, 2020**

(54) **ALL-TERRAIN VEHICLE TIRE** D701,824 S * 4/2014 Lo D12/544
D864,099 S * 10/2019 Geng D12/579
(71) Applicant: **HEBEI WANDA TYRE CO., LTD,** D868,679 S * 12/2019 Geng D12/579
Xingtai (CN)

(72) Inventors: **Peng Geng,** Xingtai (CN); **Zhili Lai,**
Xingtai (CN)

(73) Assignee: **HEBEI WANDA TYRE CO., LTD,**
Xingtai (CN)

(**) Term: **15 Years**

(21) Appl. No.: **29/675,854**

(22) Filed: **Jan. 5, 2019**

(30) **Foreign Application Priority Data**

Jul. 10, 2018 (CN) 2018 3 0370394

(51) **LOC (12) Cl.** **12-15**

(52) **U.S. Cl.**
USPC **D12/579**

(58) **Field of Classification Search**
USPC D12/568-604
CPC Y10T 152/10027; B60C 1/0016; B60C
11/0306; B60C 11/0302; B60C 3/06;
B60C 9/17

See application file for complete search history.

(56) **References Cited**

U.S. PATENT DOCUMENTS

D300,622 S * 4/1989 Furusawa D12/571
D545,265 S * 6/2007 Nishimori D12/579
D548,171 S * 8/2007 Sakakibara D12/512
D549,162 S * 8/2007 Gerasimeczuk D12/579
D560,597 S * 1/2008 Nishimori D12/579
D561,087 S * 2/2008 Sakakibara D12/579
D571,714 S * 6/2008 Ohigashi D12/579
D590,329 S * 4/2009 Lo D12/579

OTHER PUBLICATIONS

ITP Holeshot GNCC tire reference [Jan. 29, 2020] found online
[Jan. 29, 2020]—<https://www.tyreline.com/products/itp/21x7.0010-6pr-holeshot-gncc-30f>.*

CST Pulse CS03 & CS04 ATV Tire reference [Jan. 29, 2020] found
online [Jan. 29, 2020]—https://www.bikebandit.com/tires-tubes/motorcycle-tires/cst-pulse-cs03-cs04-atv-tire/p/43541?b=3200406&CRTP=psc&gclid=EAAlQobChMlhsXu3--o5wIViJOzCh2aHwT-EAQYASABEGIDxvD_BwE.*

* cited by examiner

Primary Examiner — Lakiya G Rogers

Assistant Examiner — John A Voytek

(74) *Attorney, Agent, or Firm* — Bayramoglu Law Offices
LLC

(57) **CLAIM**

The ornamental design for all-terrain vehicle tire, as shown
and described.

DESCRIPTION

FIG. 1 is a perspective view of all-terrain vehicle tire,
showing my new design;

FIG. 2 is a front view thereof;

FIG. 3 is a left view thereof;

FIG. 4 is a partial enlarged view of FIG. 2;

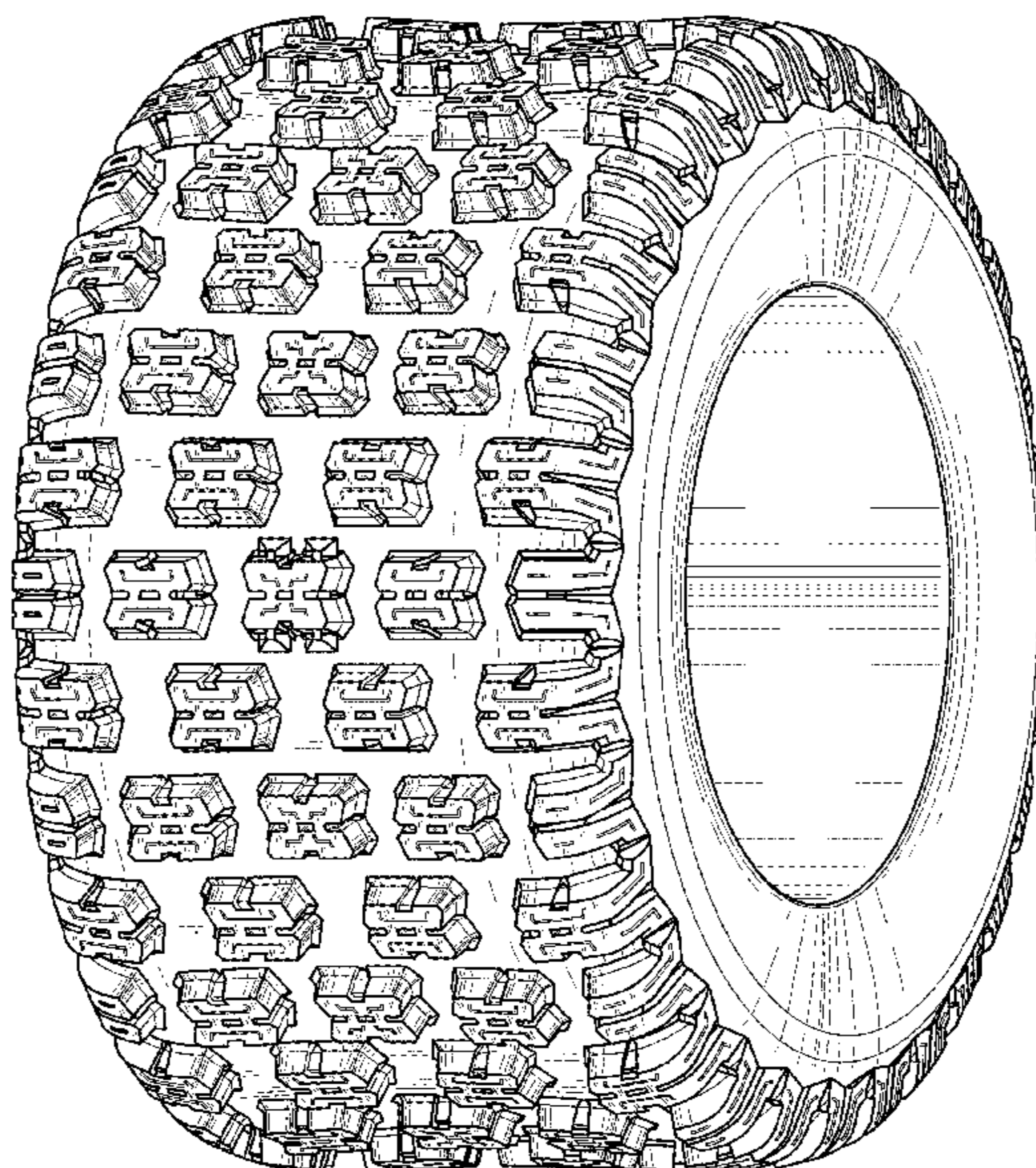
FIG. 5 is a partial enlarged view of FIG. 3;

FIG. 6 is a cross-section view taken along the line A-A in
FIG. 2, and,

FIG. 7 is a cross-section view taken along the line B-B in
FIG. 2.

The broken lines indicating enlarged portions of the all-
terrain vehicle tire, form no part of the claimed design.

1 Claim, 7 Drawing Sheets



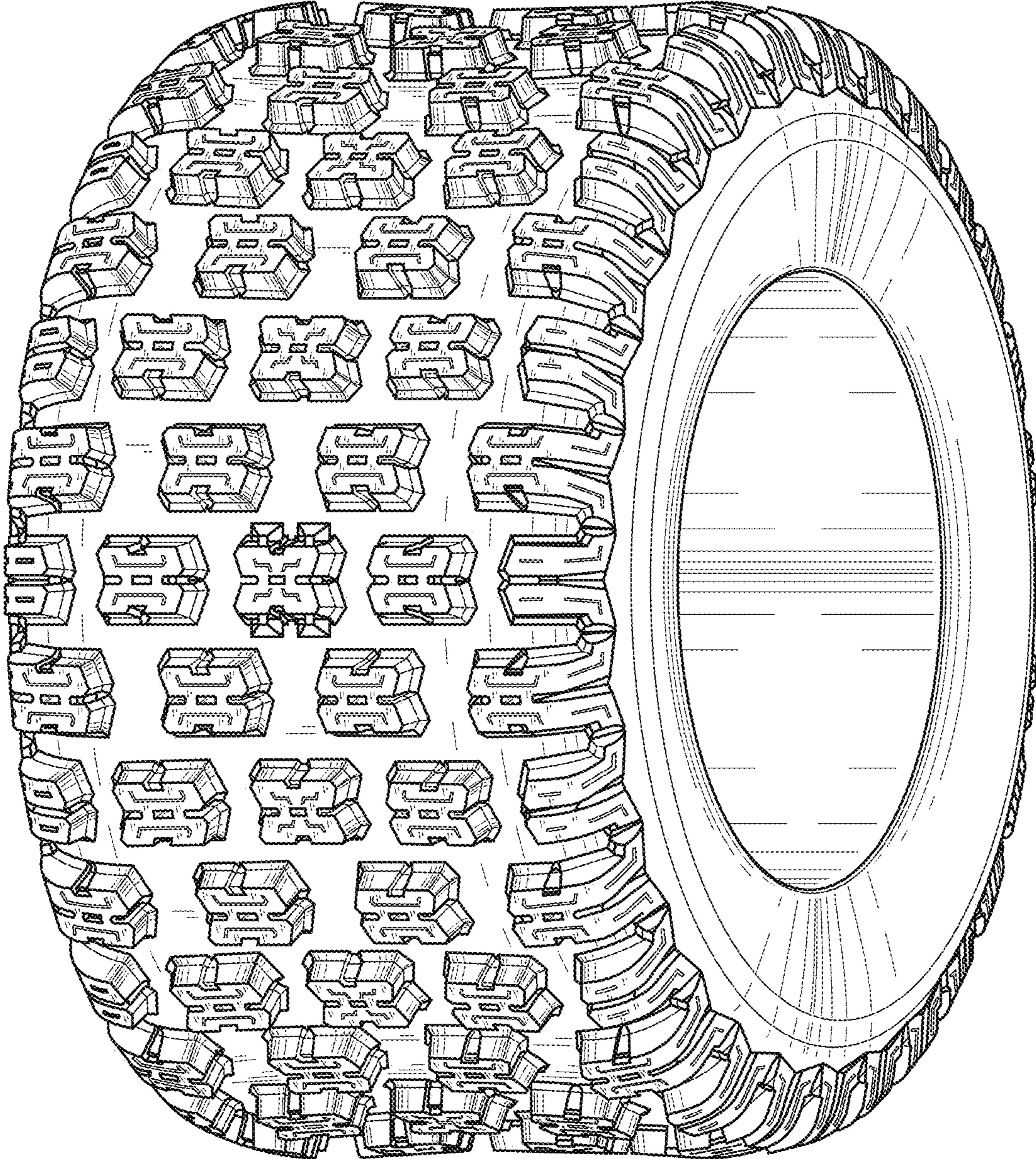


Fig. 1

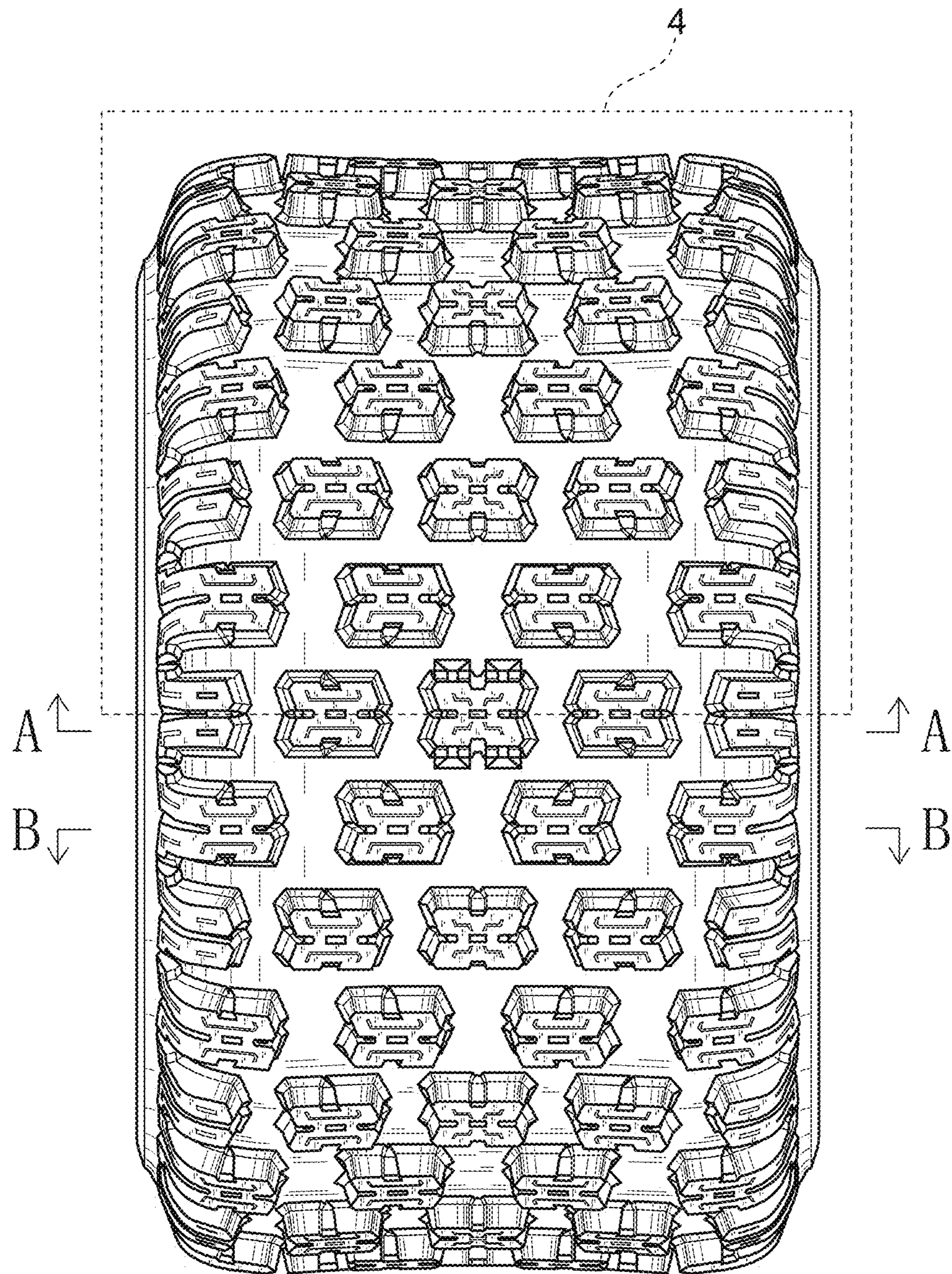


Fig. 2

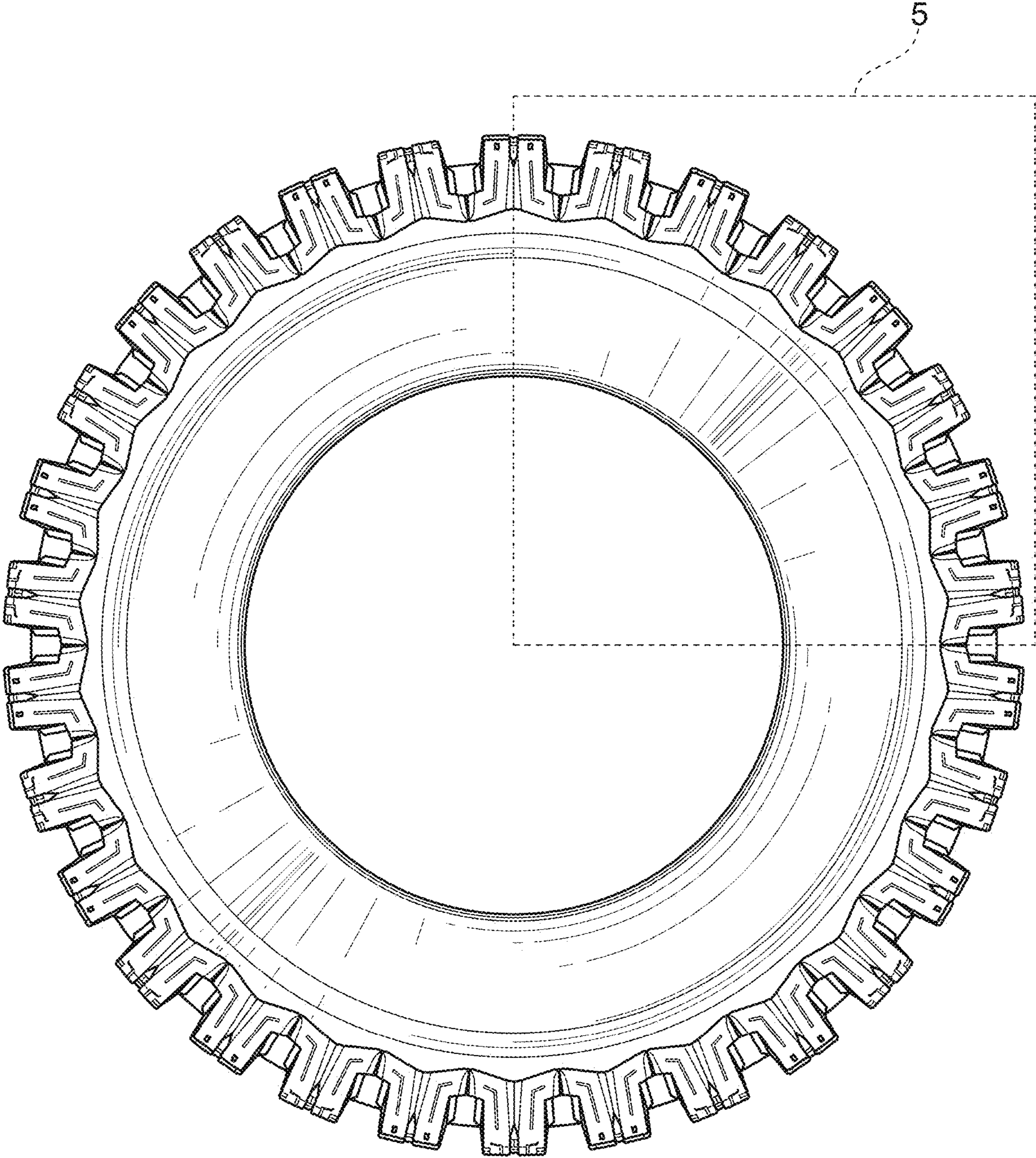


Fig. 3

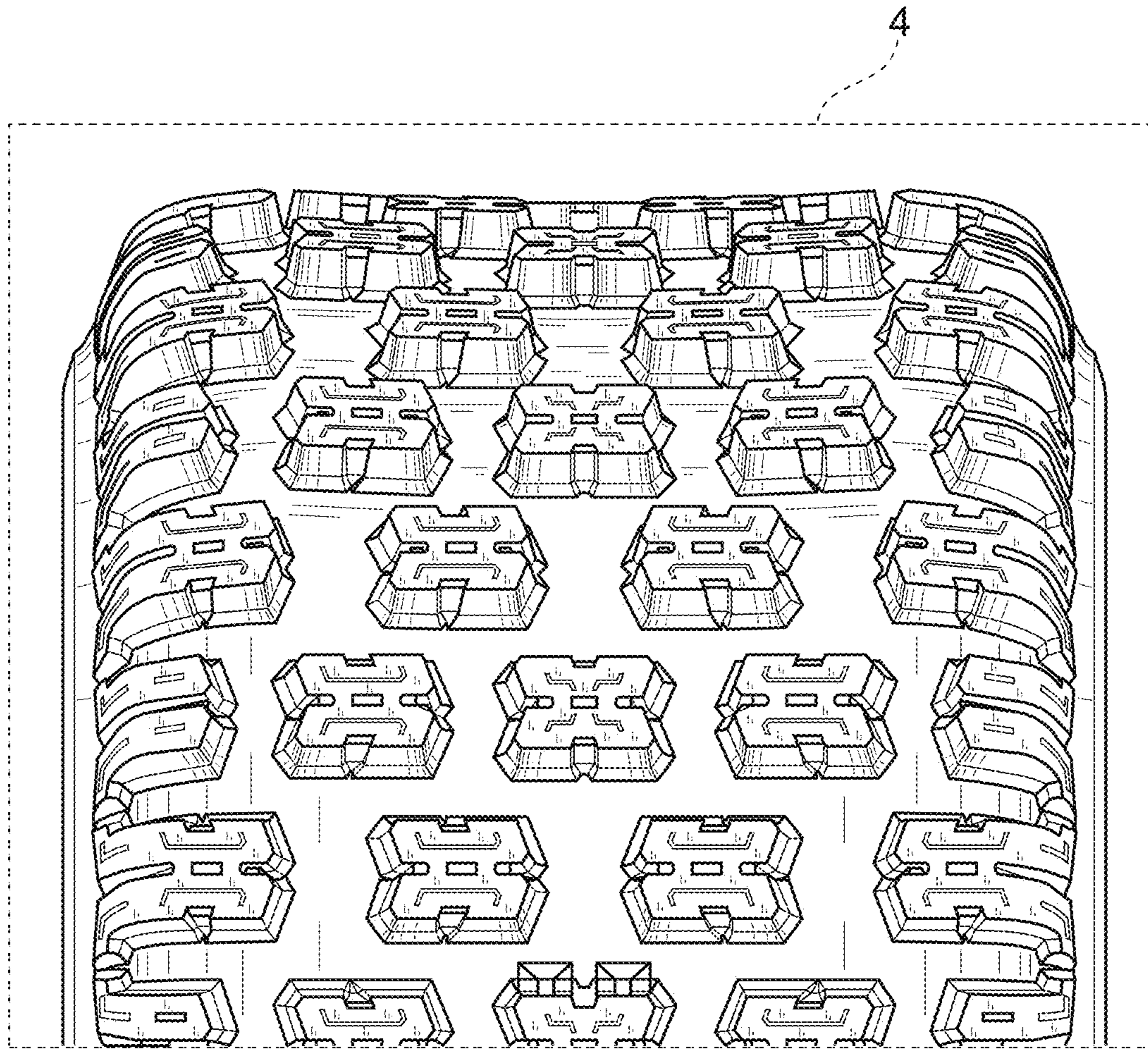


Fig. 4

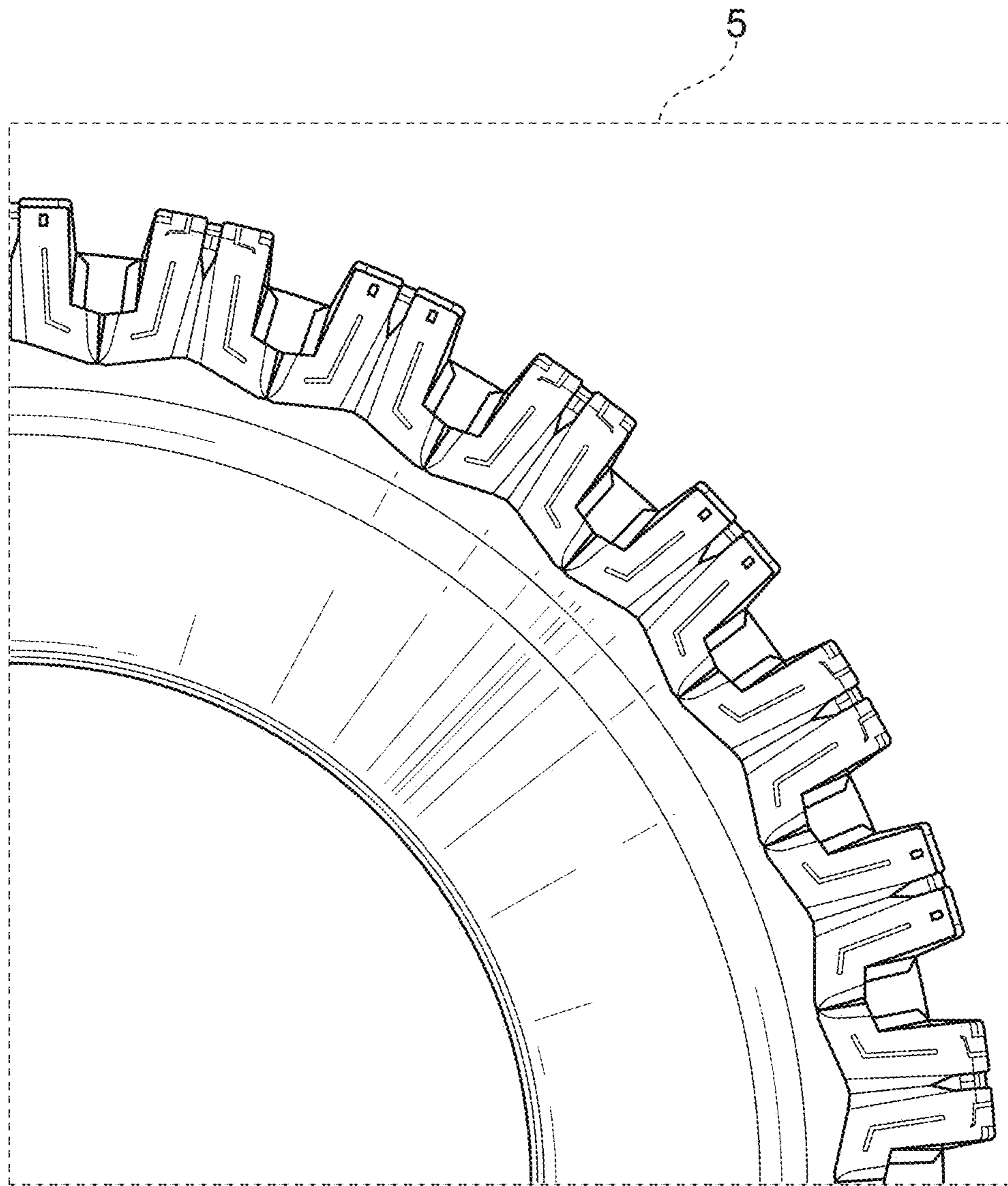


Fig. 5

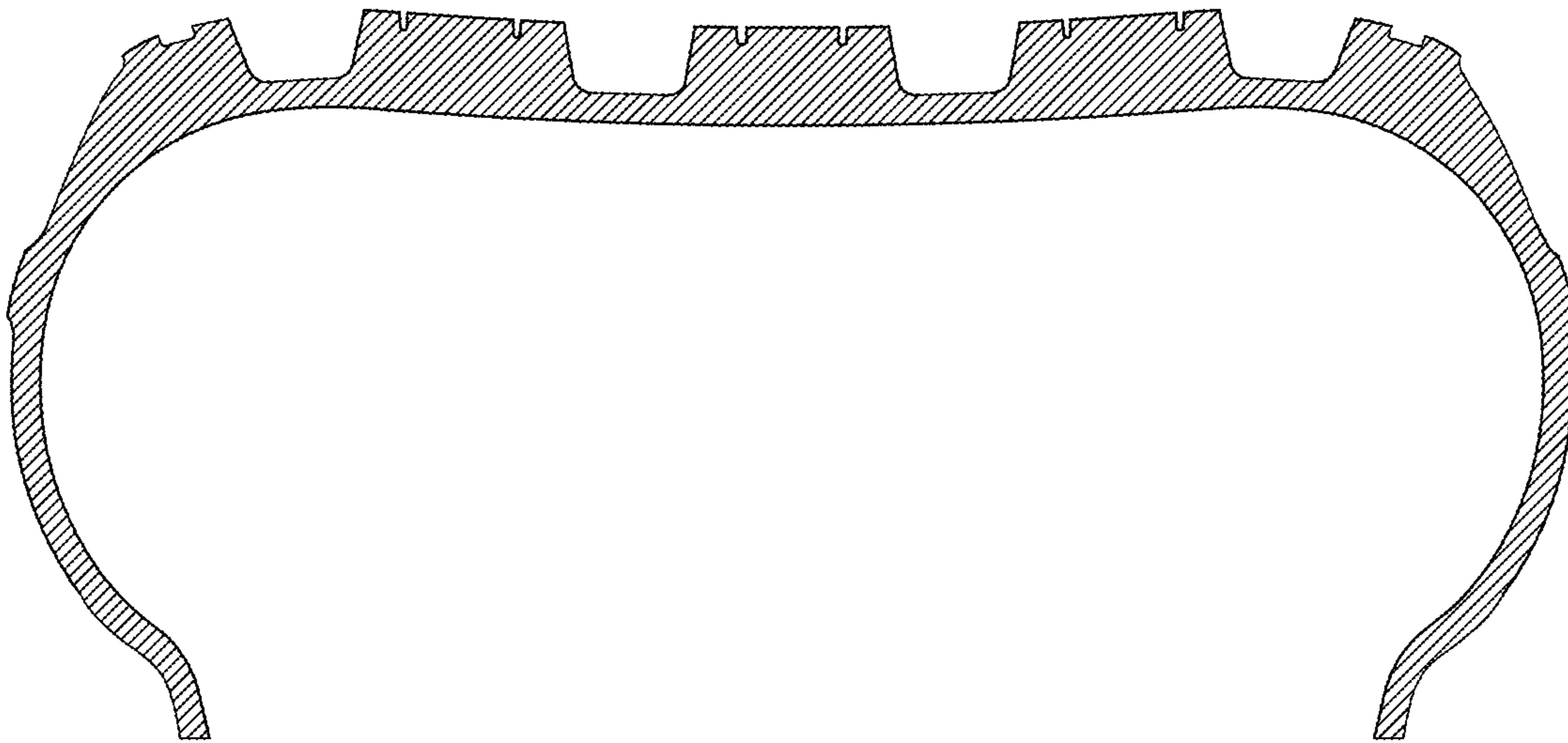


Fig. 6

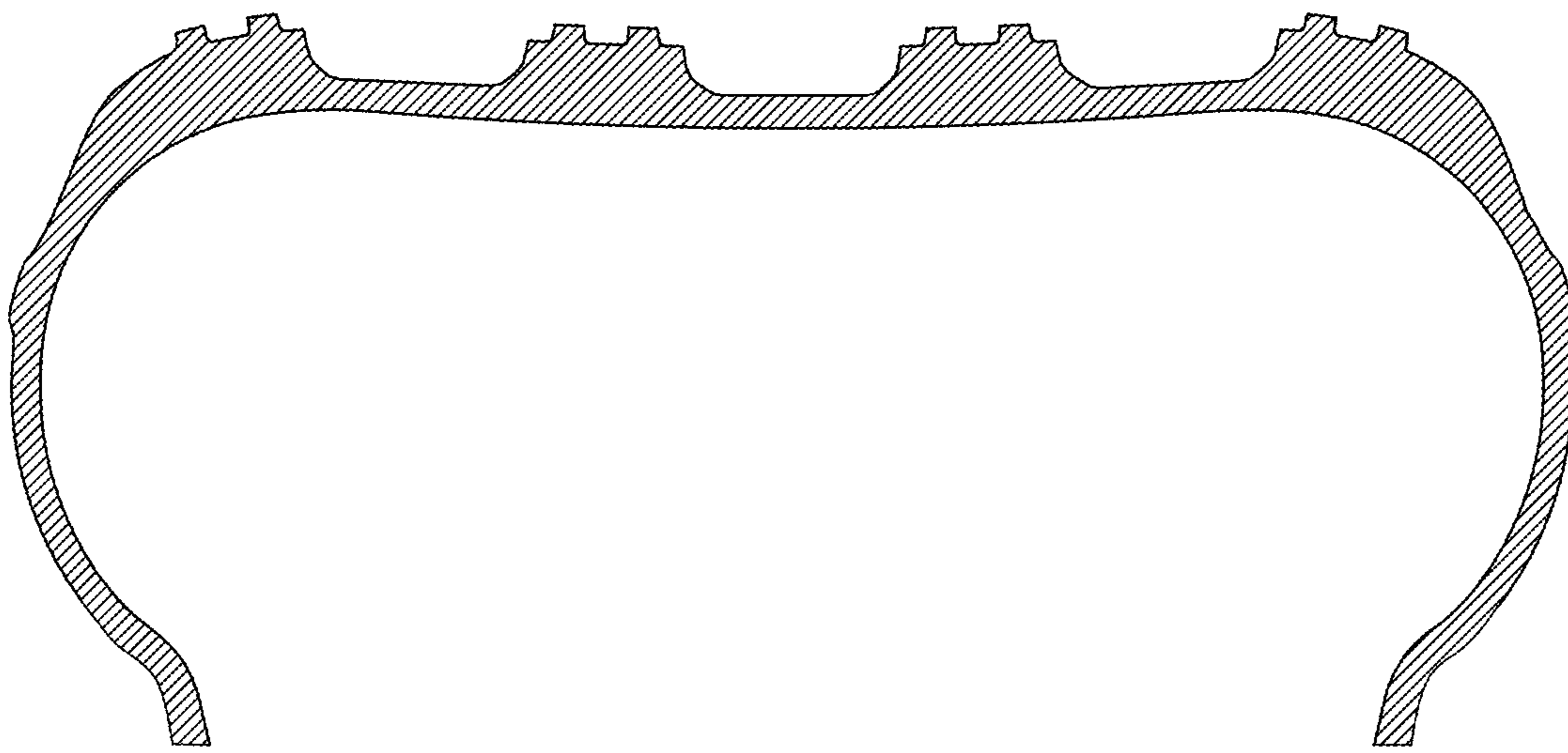


Fig.7