



US00D880402S

(12) **United States Design Patent** (10) **Patent No.:** **US D880,402 S**  
**Ray** (45) **Date of Patent:** **\*\* Apr. 7, 2020**

- (54) **CENTER CONSOLE FOR A VEHICLE**
- (71) Applicant: **Jaguar Land Rover Limited**, Whitley, Coventry (GB)
- (72) Inventor: **Paul Ray**, Coventry (GB)
- (73) Assignee: **Jaguar Land Rover Limited**, Whitley, Coventry (GB)
- (\*\*) Term: **15 Years**
- (21) Appl. No.: **29/622,943**
- (22) Filed: **Oct. 20, 2017**
- (30) **Foreign Application Priority Data**

Apr. 21, 2017 (EP) ..... 003867100

- (51) **LOC (12) Cl.** ..... **12-16**
- (52) **U.S. Cl.**  
USPC ..... **D12/415**
- (58) **Field of Classification Search**  
USPC ..... D12/415, 419  
CPC ..... B60R 13/02; C03C 3/085; B60N 2/46;  
B60N 3/10  
See application file for complete search history.

(56) **References Cited**

**U.S. PATENT DOCUMENTS**

- D811,988 S \* 3/2018 Lee ..... D12/419
- D824,324 S \* 7/2018 Gao ..... D12/415
- D826,838 S \* 8/2018 Boyes ..... D12/415
- D827,549 S \* 9/2018 Igarashi ..... D12/419
- D830,951 S \* 10/2018 Karasawa ..... D12/419
- D836,059 S \* 12/2018 Takagi ..... D12/415
- D836,060 S \* 12/2018 Takagi ..... D12/415
- D856,263 S \* 8/2019 Ohtake ..... D12/415

- D856,265 S \* 8/2019 Tomasson ..... D12/419
- D857,611 S \* 8/2019 Igarashi ..... D12/415
- 2018/0222363 A1 \* 8/2018 Stiver ..... B60R 7/04
- 2019/0092243 A1 \* 3/2019 Perez ..... B60R 7/04

**OTHER PUBLICATIONS**

Jaguar Land Rover Limited, six photo reproductions showing the center console of 2nd Generation Range Rover Sport (L494), first revealed to the public at the New York International Auto Show, Mar. 2013 (4 US version and 2 UK version).

\* cited by examiner

*Primary Examiner* — Katrina A Betton

(74) *Attorney, Agent, or Firm* — Wood Herron & Evans LLP

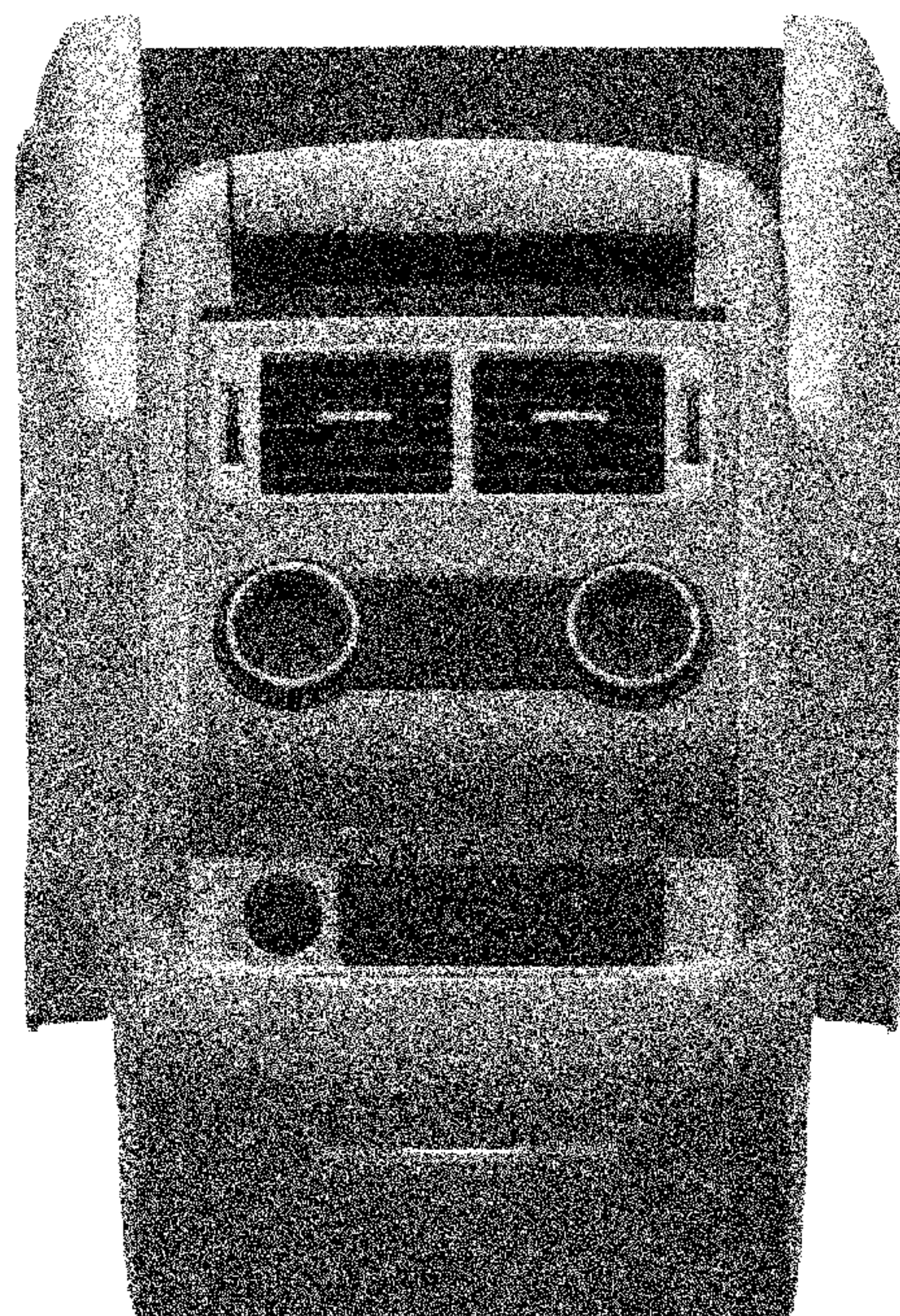
(57) **CLAIM**

The ornamental design for a center console for a vehicle, as shown and described.

**DESCRIPTION**

FIG. 1 is a front left perspective view of a center console for a vehicle according to the present invention.  
 FIG. 2 is a front right perspective view of the center console of FIG. 1.  
 FIG. 3 is a rear right perspective view thereof.  
 FIG. 4 is a rear left perspective view thereof.  
 FIG. 5 is a front view thereof.  
 FIG. 6 is a rear view thereof.  
 FIG. 7 is a left side view thereof.  
 FIG. 8 is a right side view thereof; and,  
 FIG. 9 is a top view thereof.

**1 Claim, 9 Drawing Sheets**





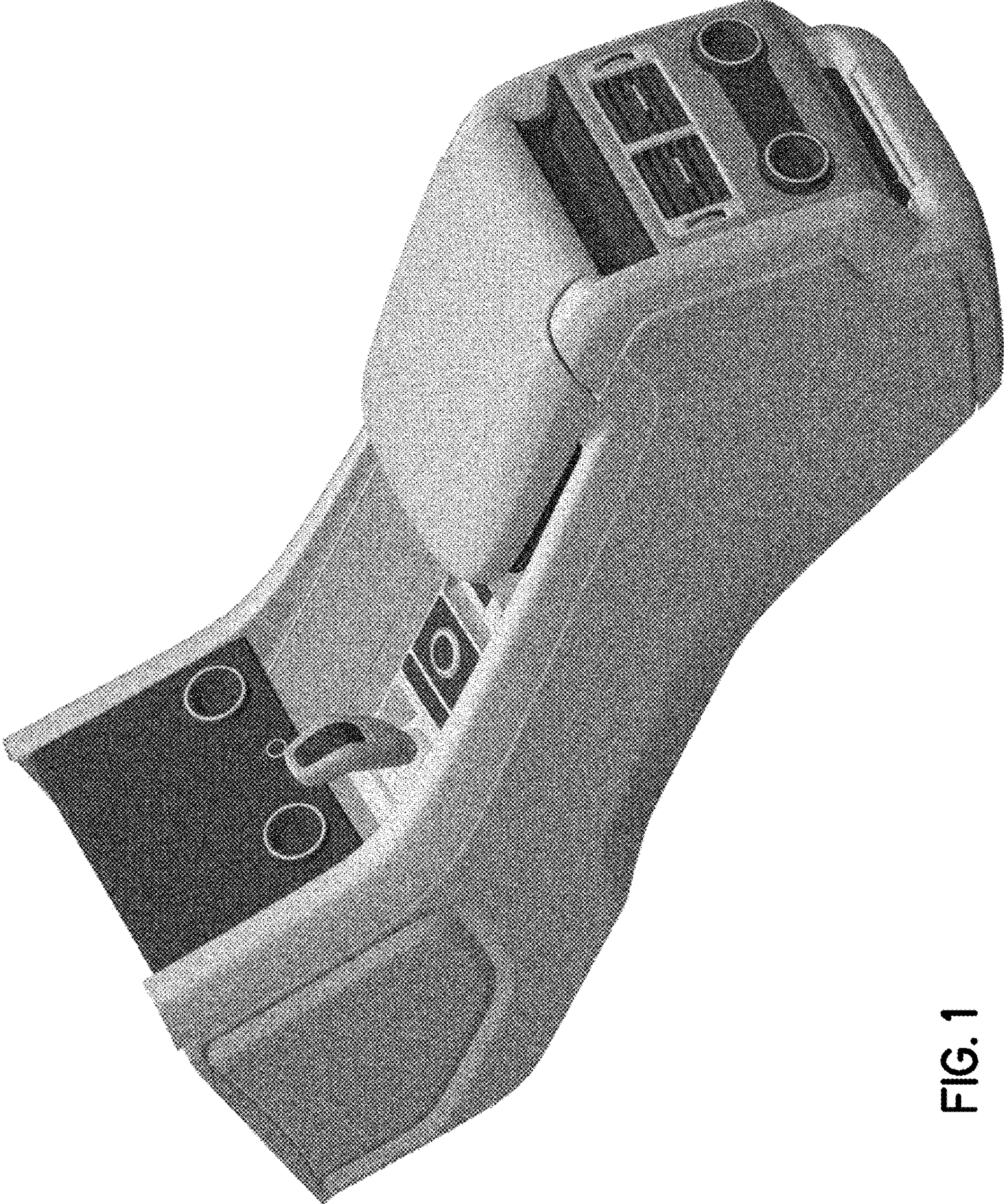


FIG. 1



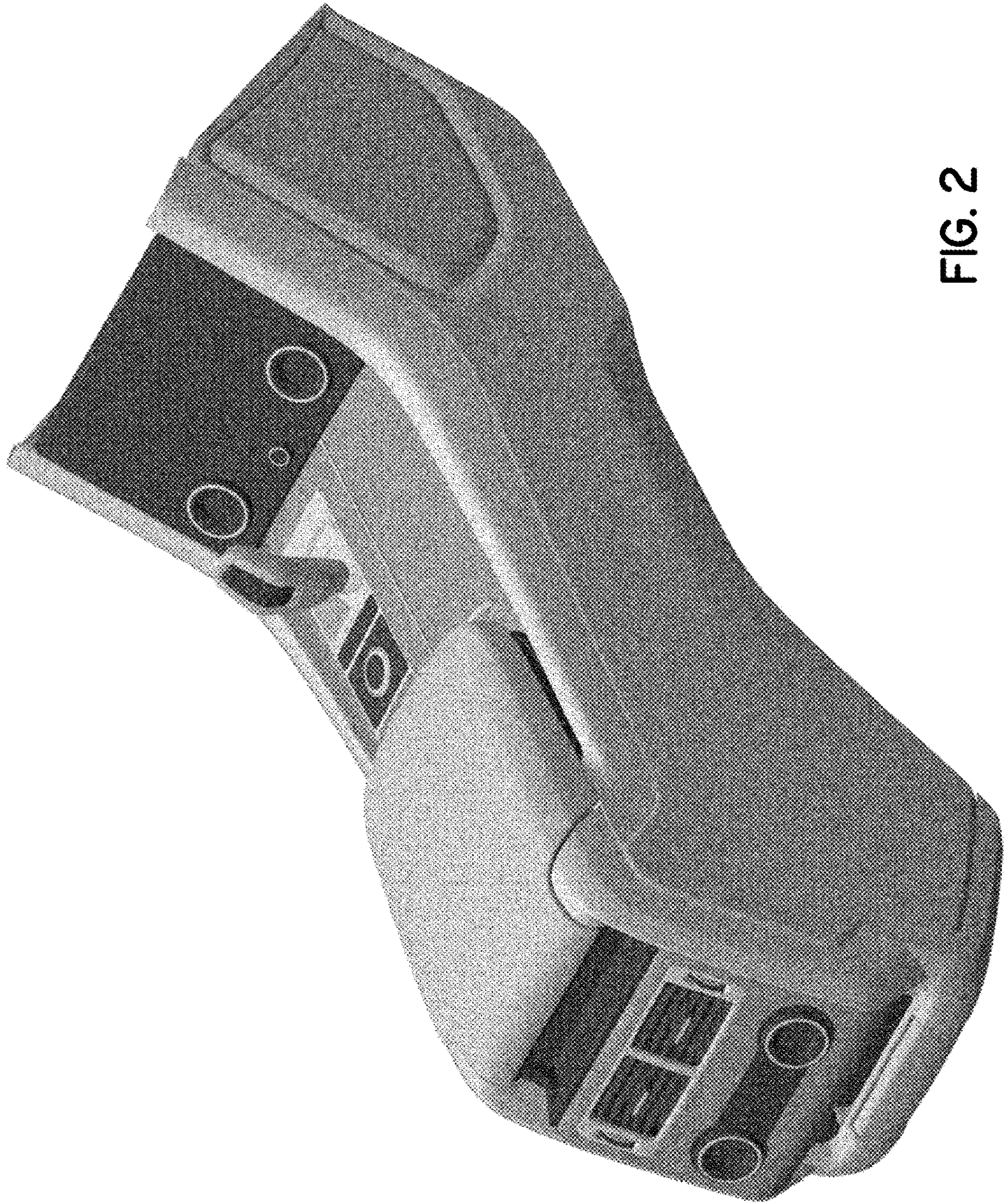


FIG. 2



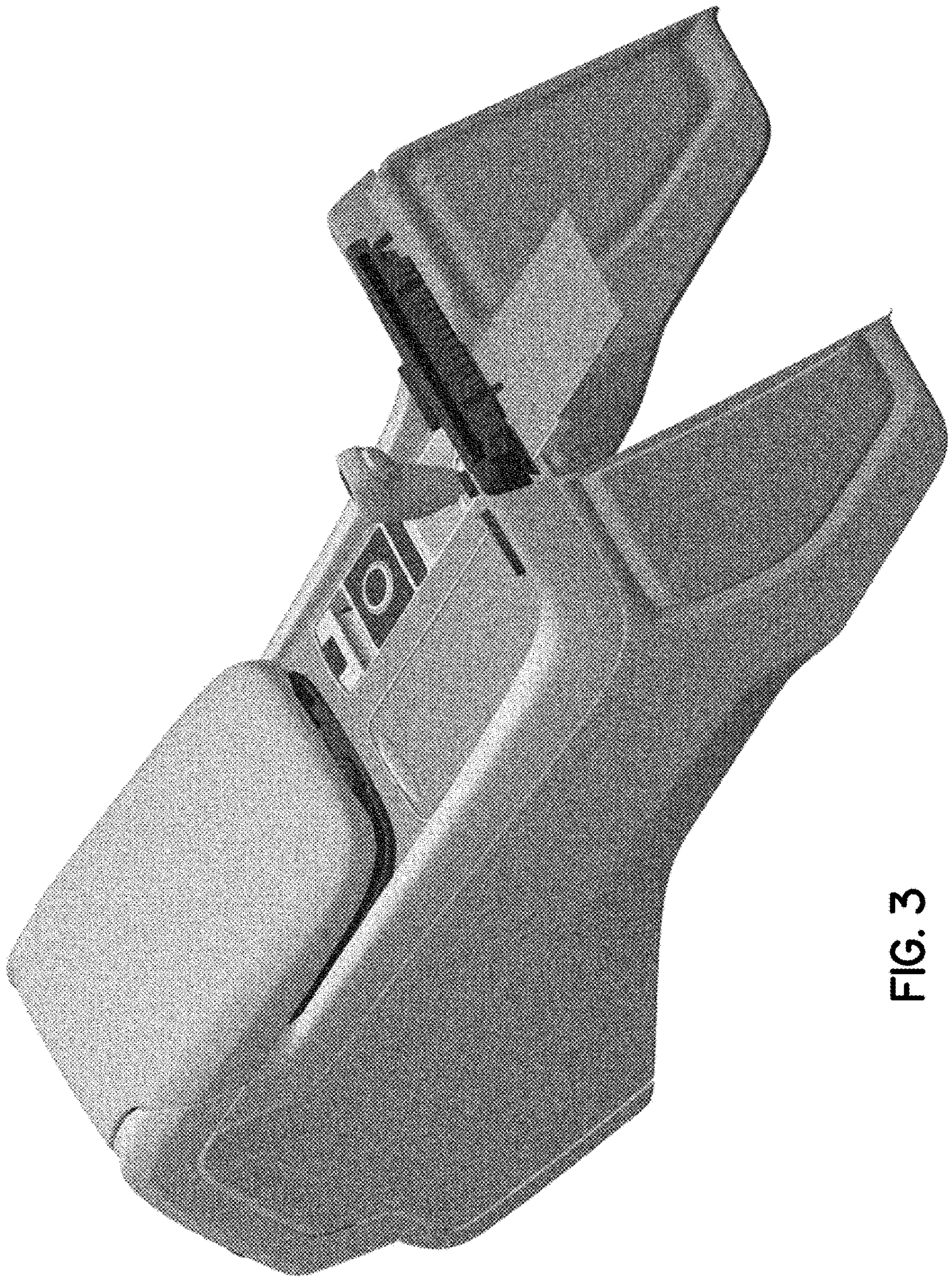


FIG. 3



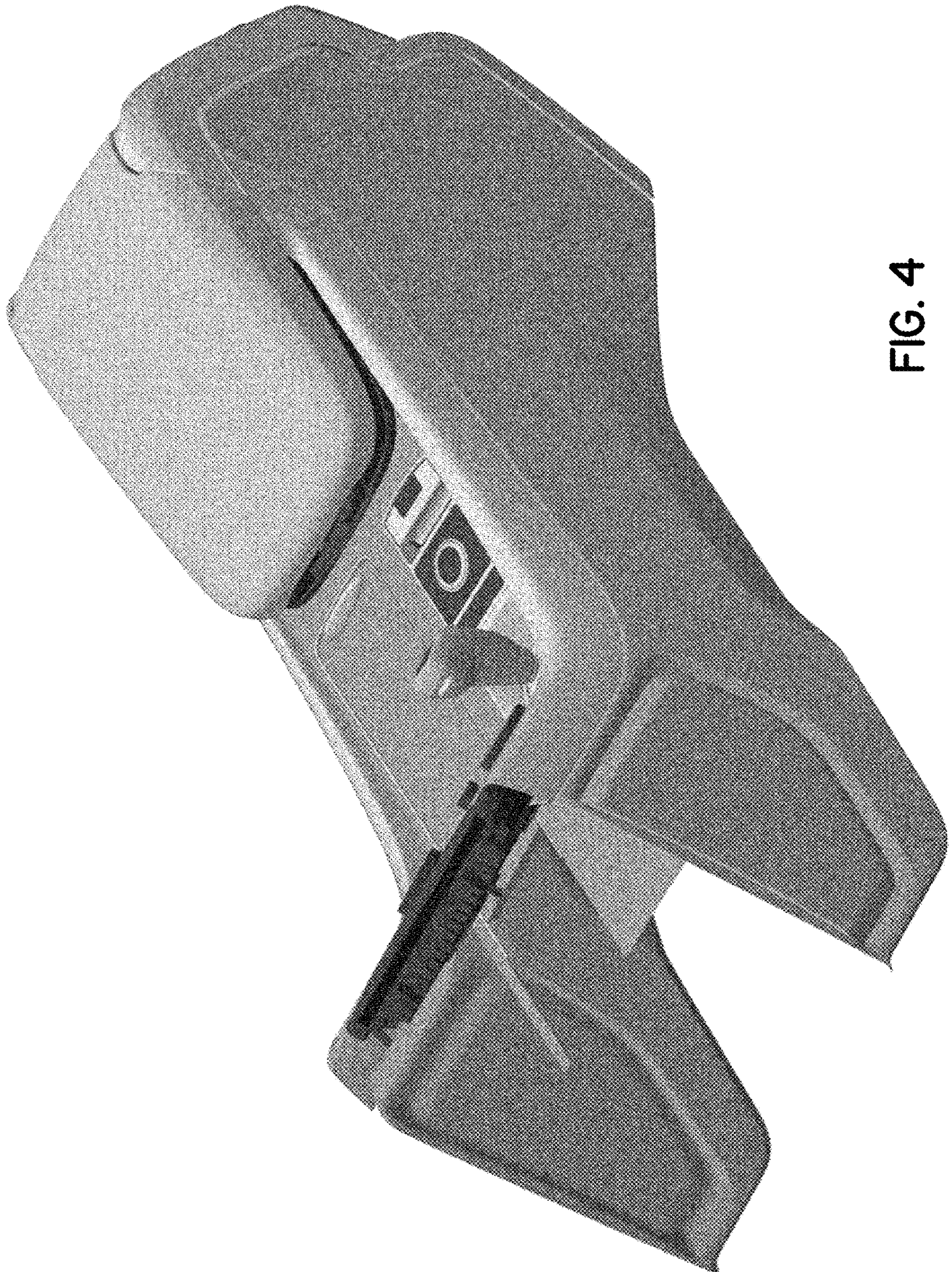


FIG. 4



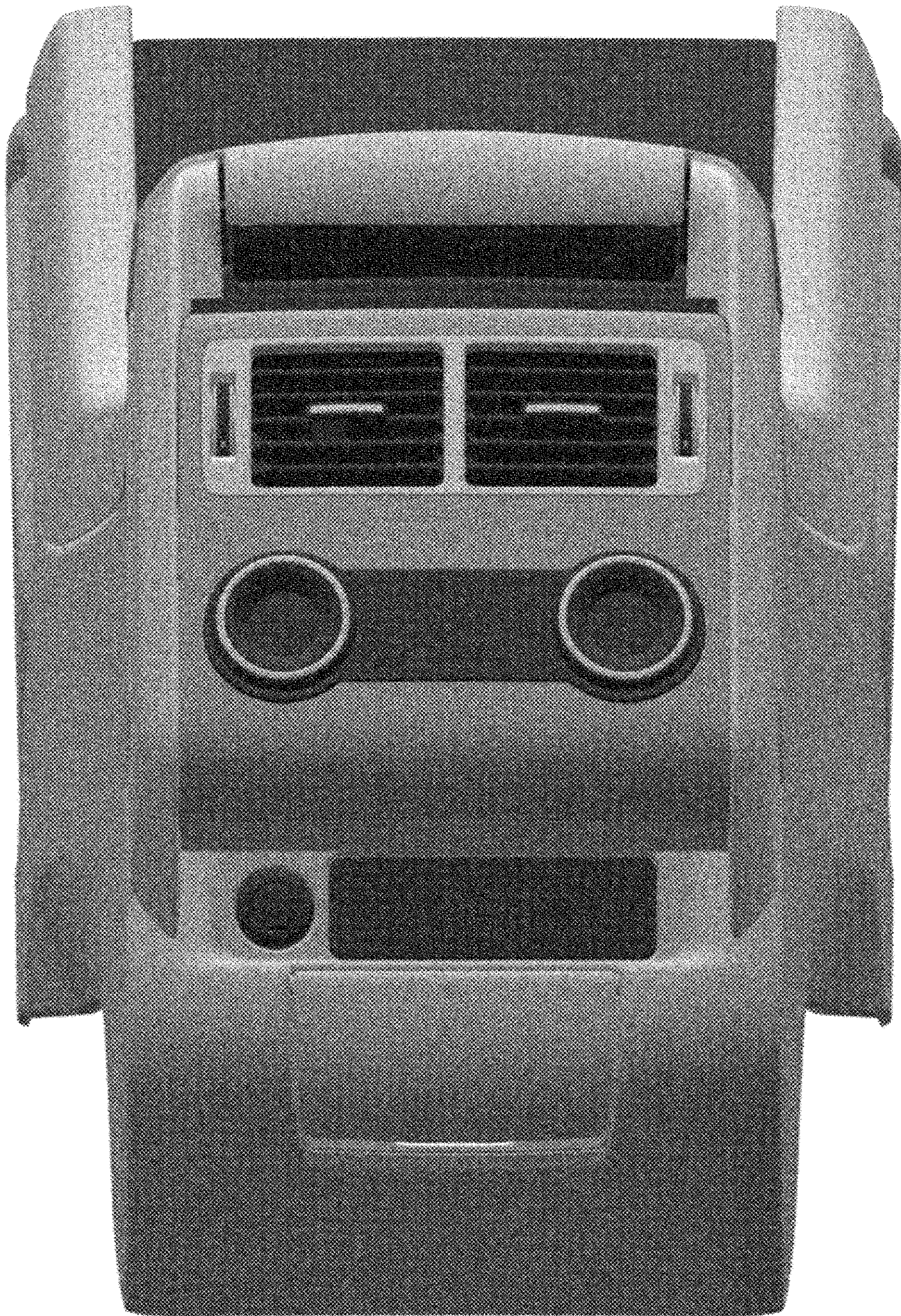


FIG. 5



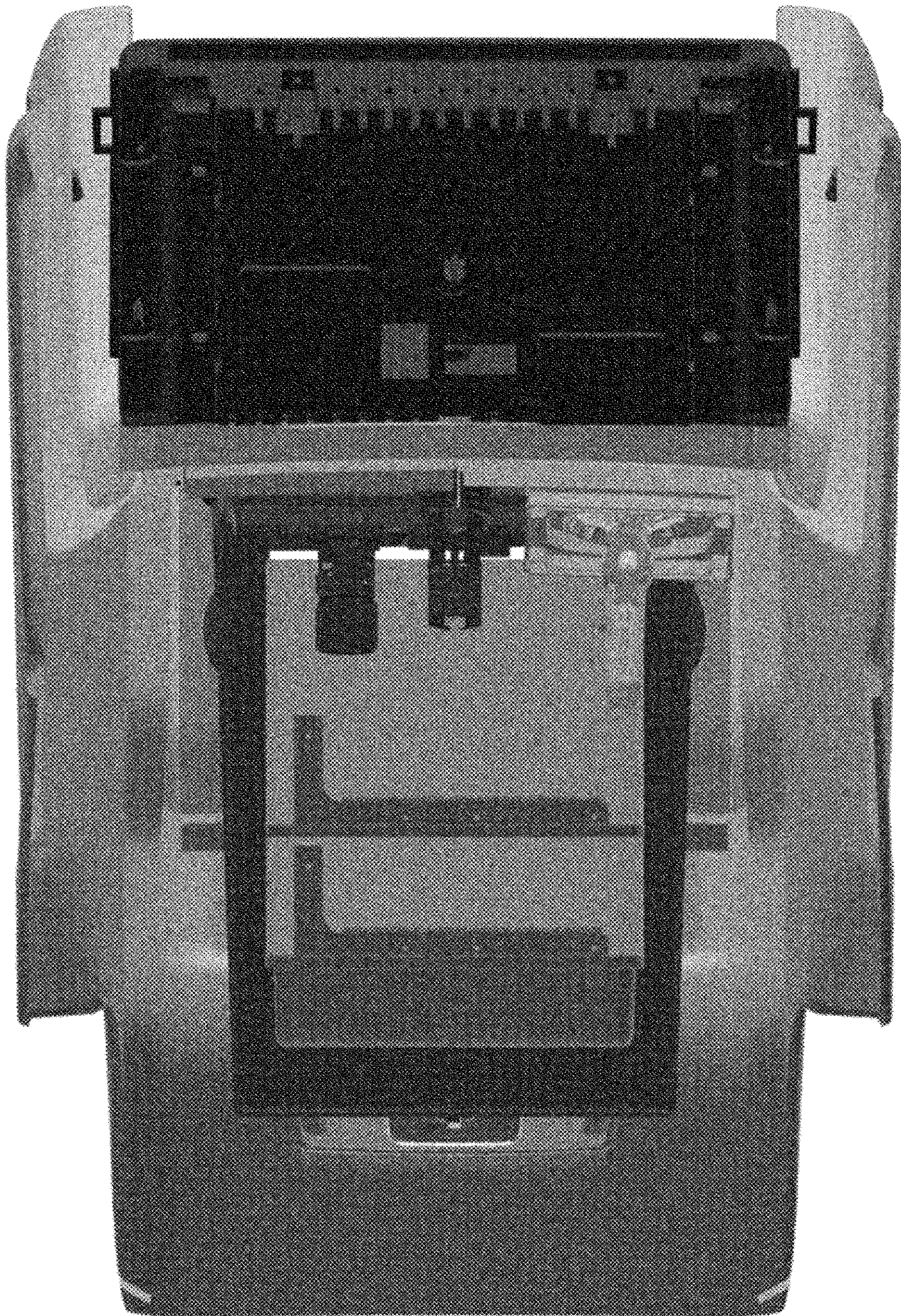


FIG. 6



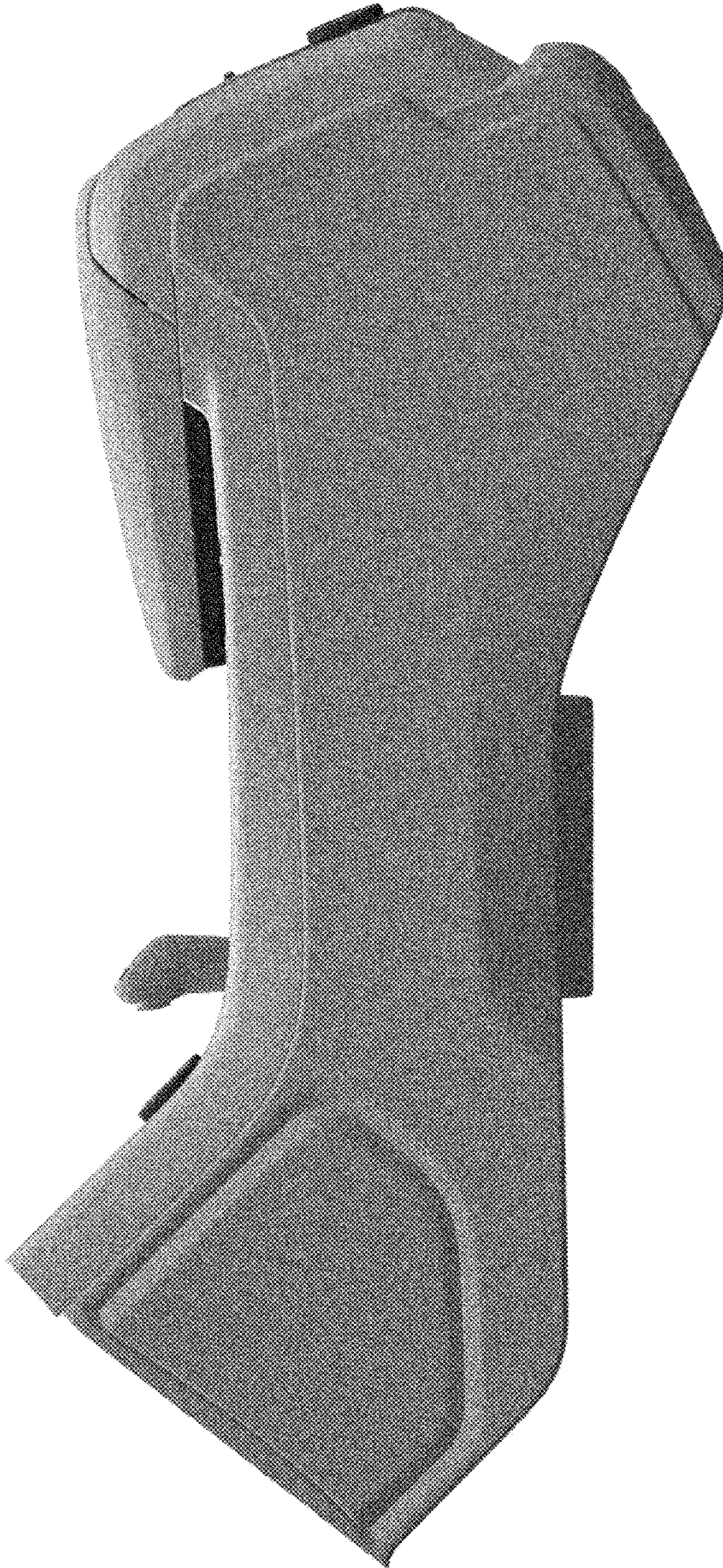


FIG. 7



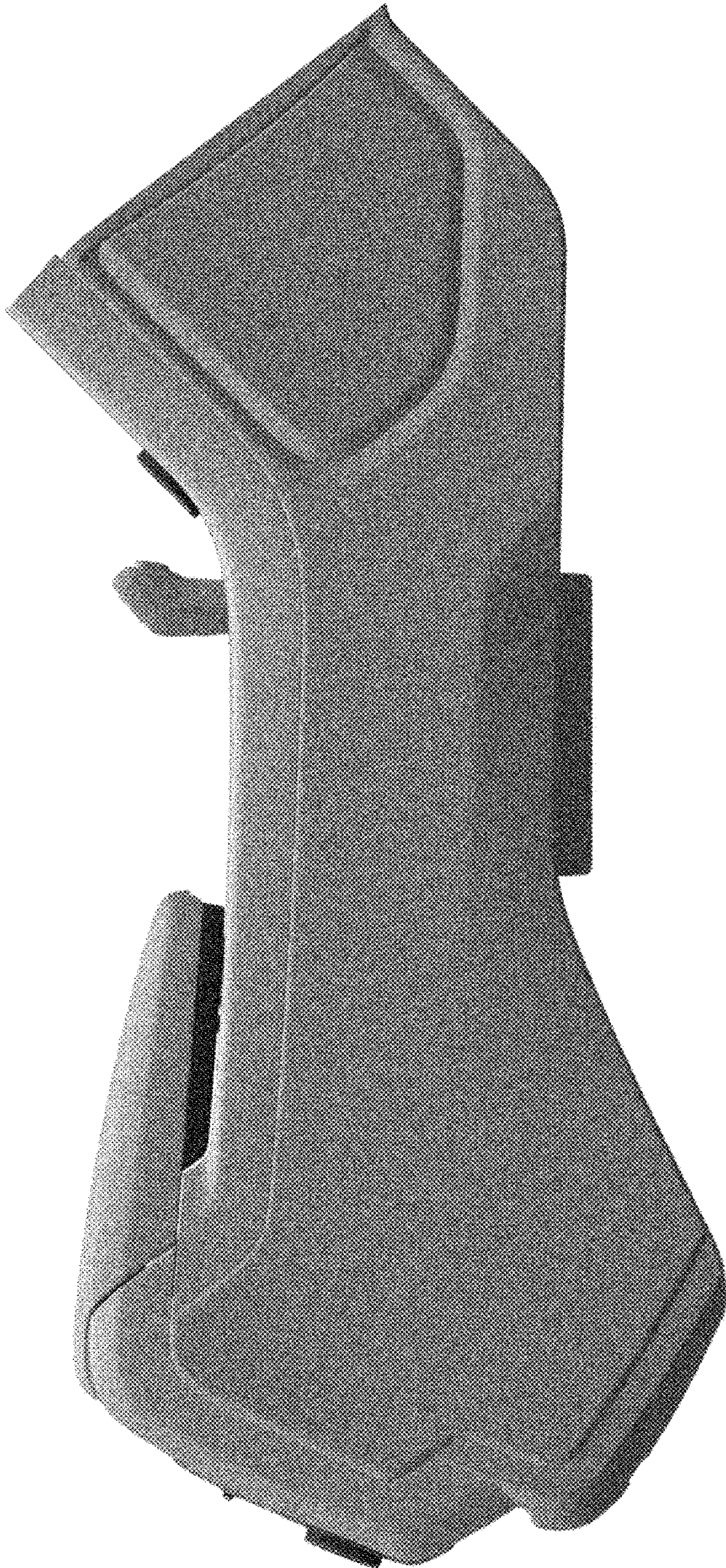


FIG. 8



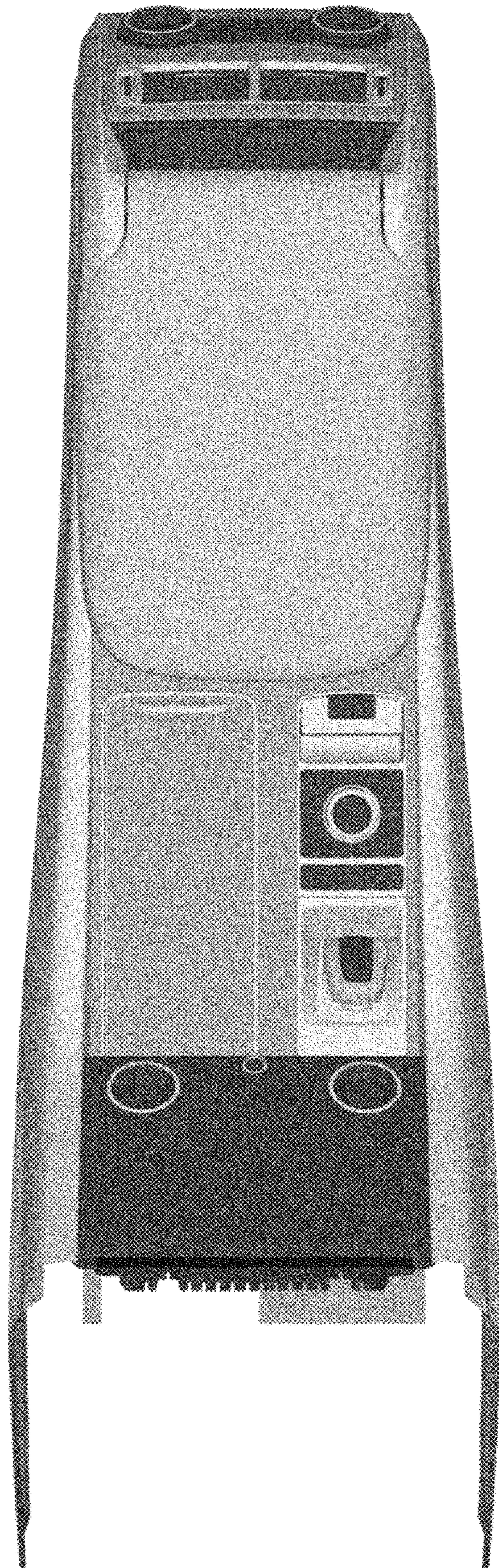


FIG. 9