



US00D880399S

(12) **United States Design Patent**
Yoshida

(10) **Patent No.:** **US D880,399 S**

(45) **Date of Patent:** **** Apr. 7, 2020**

(54) **WHEEL FOR AN AUTOMOBILE**

(71) Applicant: **HONDA MOTOR CO., LTD.**, Tokyo (JP)

(72) Inventor: **Hiroshi Yoshida**, Wako (JP)

(73) Assignee: **HONDA MOTOR CO., LTD.**, Tokyo (JP)

(**) Term: **15 Years**

(21) Appl. No.: **29/674,799**

(22) Filed: **Dec. 26, 2018**

(30) **Foreign Application Priority Data**

Jun. 28, 2018 (JP) 2018-014255

(51) **LOC (12) Cl.** **12-16**

(52) **U.S. Cl.**
USPC **D12/211**

(58) **Field of Classification Search**
USPC D12/204-213; D21/563
CPC B60B 7/00; B60B 7/02; B60B 7/04; B60B 7/01; B60B 7/06; B60B 3/02; B60B 3/04; B60B 3/06; B60B 3/10; B60B 1/00; B60B 1/08; B60B 1/10; B60B 1/12
See application file for complete search history.

(56) **References Cited**

U.S. PATENT DOCUMENTS

D417,646 S	*	12/1999	Baumgartner	D12/211
D457,478 S	*	5/2002	Minamisawa	D12/211
D606,921 S	*	12/2009	Thorsten	D12/211
D649,102 S	*	11/2011	Gallert	D12/211
D715,720 S	*	10/2014	Ender	D12/211

D747,254 S	*	1/2016	Liu	D12/211
D748,558 S	*	2/2016	Hans	D12/211
D754,052 S	*	4/2016	Juergens	D12/211
D780,657 S	*	3/2017	Welte	D12/211
D780,658 S	*	3/2017	Welte	D12/211
D786,164 S	*	5/2017	Henderson	D12/211
D786,166 S	*	5/2017	Henderson	D12/213
D792,303 S	*	7/2017	Chung	D12/209
D792,827 S	*	7/2017	Chung	D12/209
D810,646 S	*	2/2018	Heizmann	D12/209
D826,128 S	*	8/2018	Groth	D12/209
D828,799 S	*	9/2018	Zschocke	D12/209
D829,628 S	*	10/2018	Chung	D12/209
D842,202 S	*	3/2019	Han	D12/209
D844,527 S	*	4/2019	Licklitter	D12/209
D848,340 S	*	5/2019	Kraljevic	D12/209
D851,005 S	*	6/2019	Hodges	D12/209
D853,306 S	*	7/2019	Han	D12/211
10,357,993 B2	*	7/2019	Muller	B60B 1/10
D864,078 S	*	10/2019	Khachatryan	D12/211
D866,432 S	*	11/2019	Preyss	D12/209

* cited by examiner

Primary Examiner — Stacia A Cadmus

(74) *Attorney, Agent, or Firm* — Westerman, Hattori, Daniels & Adrian, LLP

(57) **CLAIM**

The ornamental design for a wheel for an automobile, as shown and described.

DESCRIPTION

FIG. 1 is a perspective view of a wheel for an automobile; and,

FIG. 2 is a front elevation view thereof.

The broken lines in the drawings illustrate portions of the wheel for an automobile that form no part of the claimed design.

1 Claim, 2 Drawing Sheets

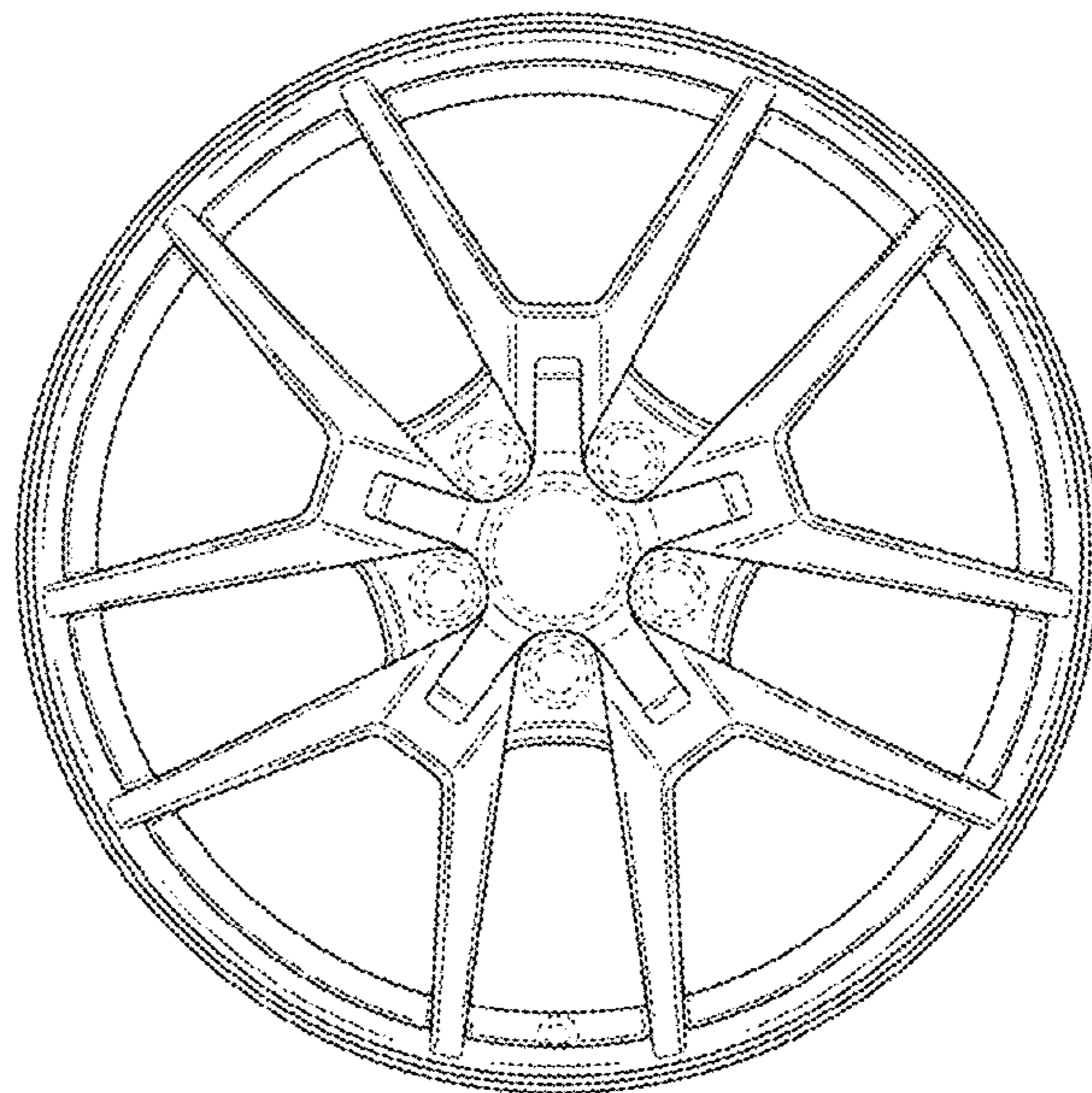
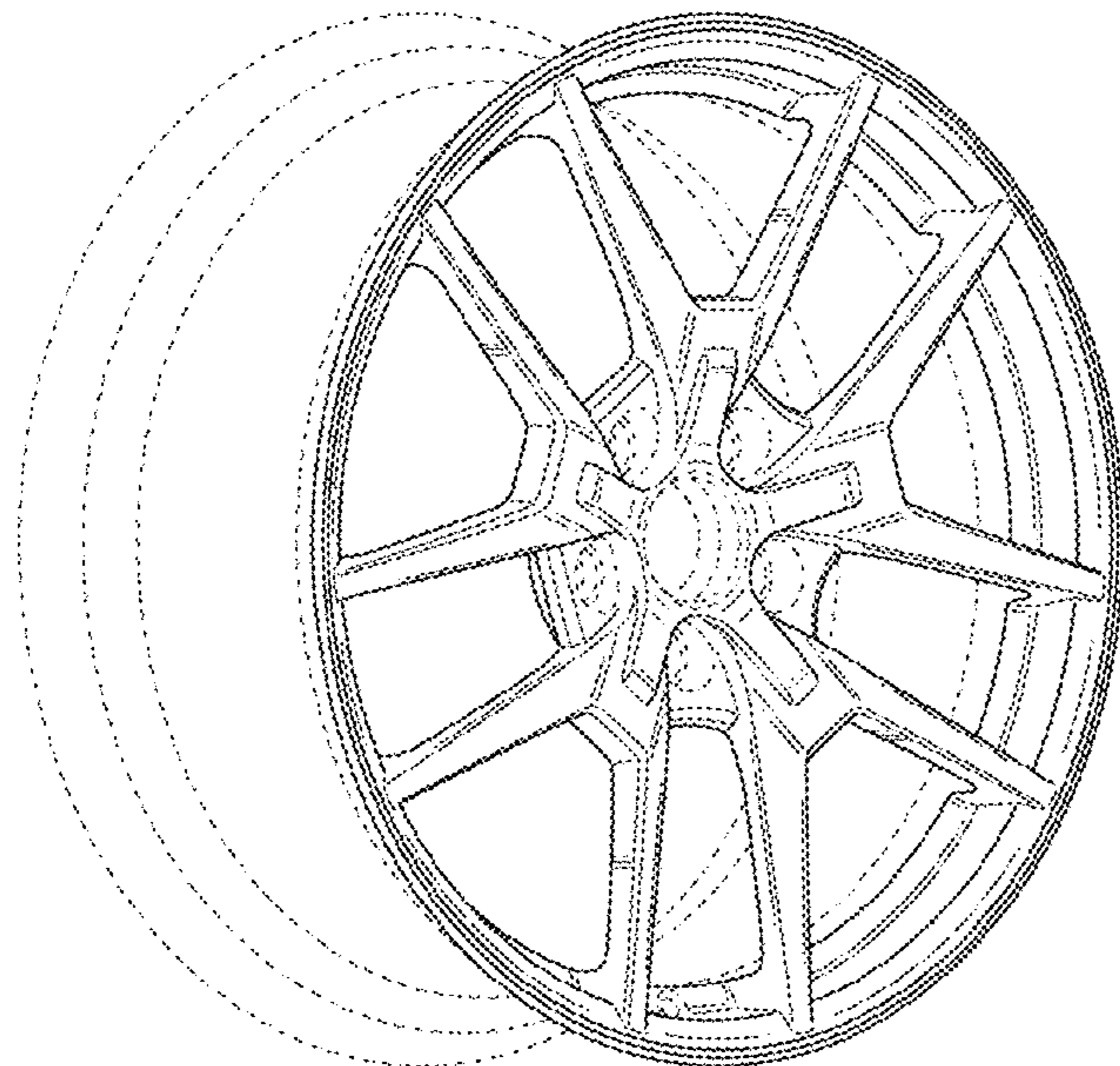


FIG. 1

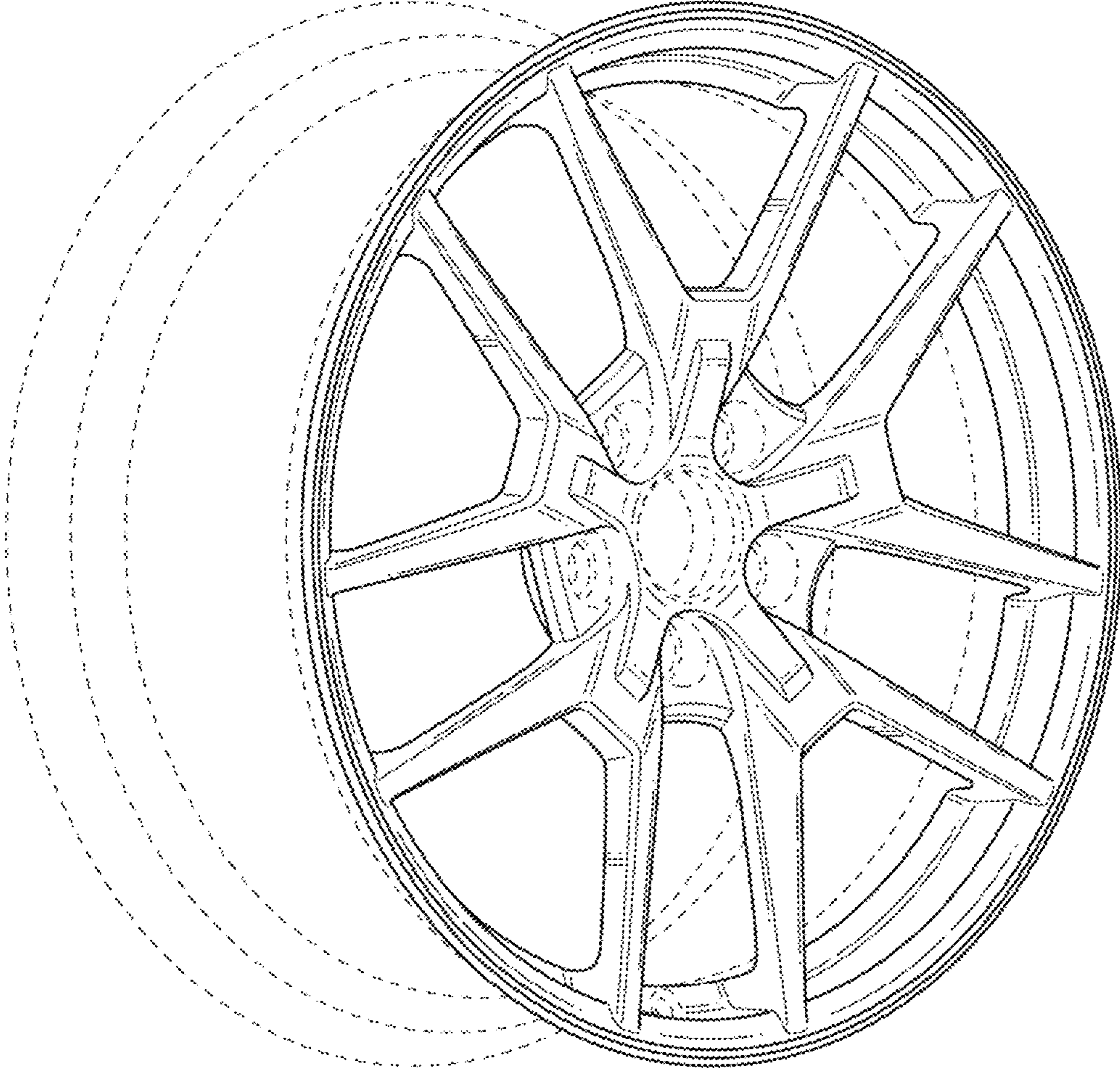


FIG. 2

