



US00D880398S

(12) **United States Design Patent**
Chan

(10) **Patent No.:** **US D880,398 S**

(45) **Date of Patent:** **** Apr. 7, 2020**

(54) **WHEEL**

(71) Applicant: **Jaguar Land Rover Limited**, Whitley,
Coventry (GB)

(72) Inventor: **Alex Chan**, Coventry (GB)

(73) Assignee: **Jaguar Land Rover Limited**, Whitley,
Coventry (GB)

(**) Term: **15 Years**

(21) Appl. No.: **29/687,073**

(22) Filed: **Apr. 10, 2019**

Related U.S. Application Data

(62) Division of application No. 29/629,421, filed on Dec.
13, 2017, now Pat. No. Des. 849,643.

(30) **Foreign Application Priority Data**

Jun. 15, 2017 (EM) 004048882

(51) **LOC (12) Cl.** **12-16**

(52) **U.S. Cl.**
USPC **D12/209**

(58) **Field of Classification Search**
USPC D12/204–213; D21/563
CPC B60B 7/00; B60B 7/02; B60B 7/04; B60B
7/06; B60B 7/01; B60B 3/02; B60B 3/04;
B60B 3/06; B60B 3/10; B60B 1/00;
B60B 1/08; B60B 1/10; B60B 1/12
See application file for complete search history.

(56) **References Cited**

U.S. PATENT DOCUMENTS

D445,082 S * 7/2001 Chung D12/211
D461,442 S * 8/2002 Kataoka D12/211
D463,769 S * 10/2002 Chung D12/211

D495,291 S * 8/2004 Chung D12/211
D532,739 S * 11/2006 Ettensberger D12/211
D582,333 S * 12/2008 Pfeiffer D12/211
D635,077 S * 3/2011 Nordmann D12/209
D635,907 S * 4/2011 Futschik D12/211
D671,482 S * 11/2012 Nakamura D12/211
D695,198 S * 12/2013 Juergens D12/211
D713,317 S * 9/2014 Ajojima D12/211
D724,513 S * 3/2015 Wolff D12/209
D731,390 S * 6/2015 Kobayashi D12/211
D738,281 S * 9/2015 Watkin D12/211
D741,772 S * 10/2015 Lesnik D12/211
D744,403 S * 12/2015 Mielke D12/211
D751,019 S * 3/2016 Behmer D12/211
D760,139 S * 6/2016 Dionisopoulos D12/209
D761,182 S * 7/2016 Valencia Pollex D12/211
D763,763 S * 8/2016 Stone D12/209
D769,170 S * 10/2016 Johnson D12/211
D780,084 S * 2/2017 Scheer D12/209
D791,045 S * 7/2017 Johnson D12/209
D795,148 S * 8/2017 Ariga D12/209

(Continued)

Primary Examiner — Stacia A Cadmus

(74) *Attorney, Agent, or Firm* — Wood Herron & Evans
LLP

(57) **CLAIM**

The ornamental design for a wheel, as shown and described.

DESCRIPTION

FIG. 1 is a front left perspective view of a wheel for a vehicle according to the present invention.

FIG. 2 is a front right perspective view of the wheel shown in FIG. 1.

FIG. 3 is a front view thereof.

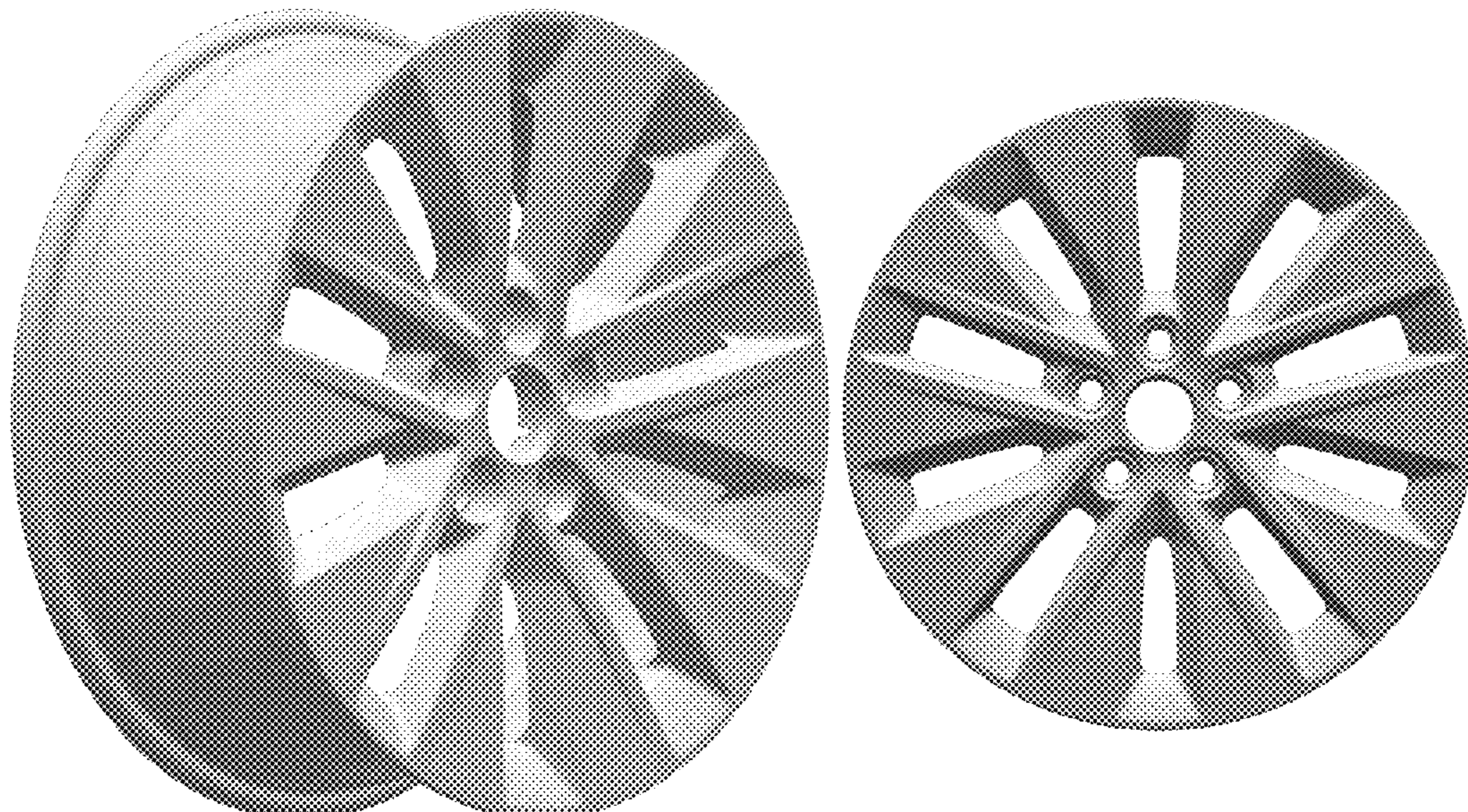
FIG. 4 is a left side view thereof, the right side view being a mirror image thereof.

FIG. 5 is a rear view thereof.

FIG. 6 is a rear right perspective view thereof; and,

FIG. 7 is a rear left perspective view thereof.

1 Claim, 5 Drawing Sheets



(56)

References Cited

U.S. PATENT DOCUMENTS

D823,772 S	*	7/2018	Mielke	D12/209
D849,643 S	*	5/2019	Chan	D12/209
D850,351 S	*	6/2019	Wheel	D12/211

* cited by examiner



FIG. 1



FIG. 2

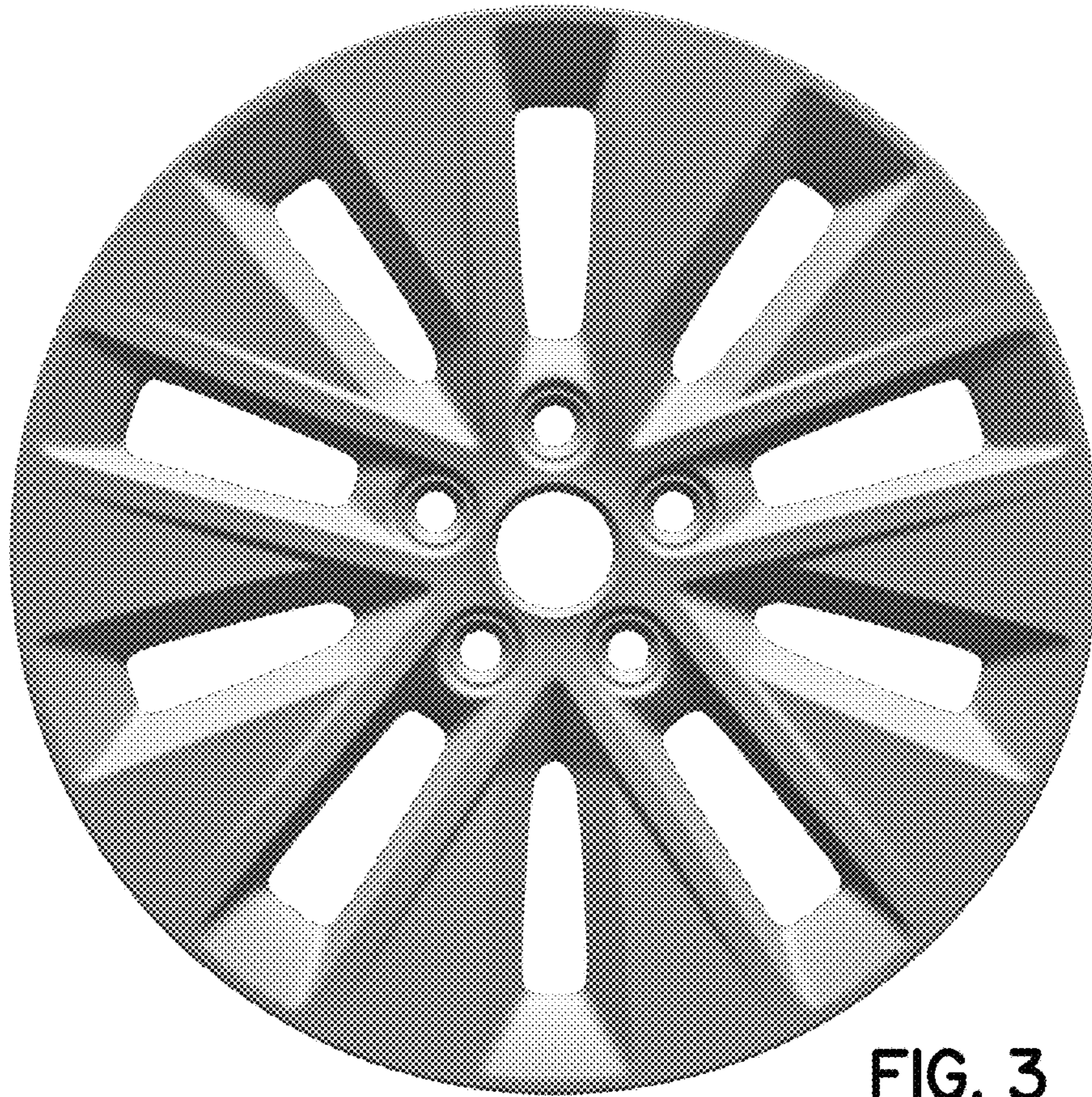


FIG. 3

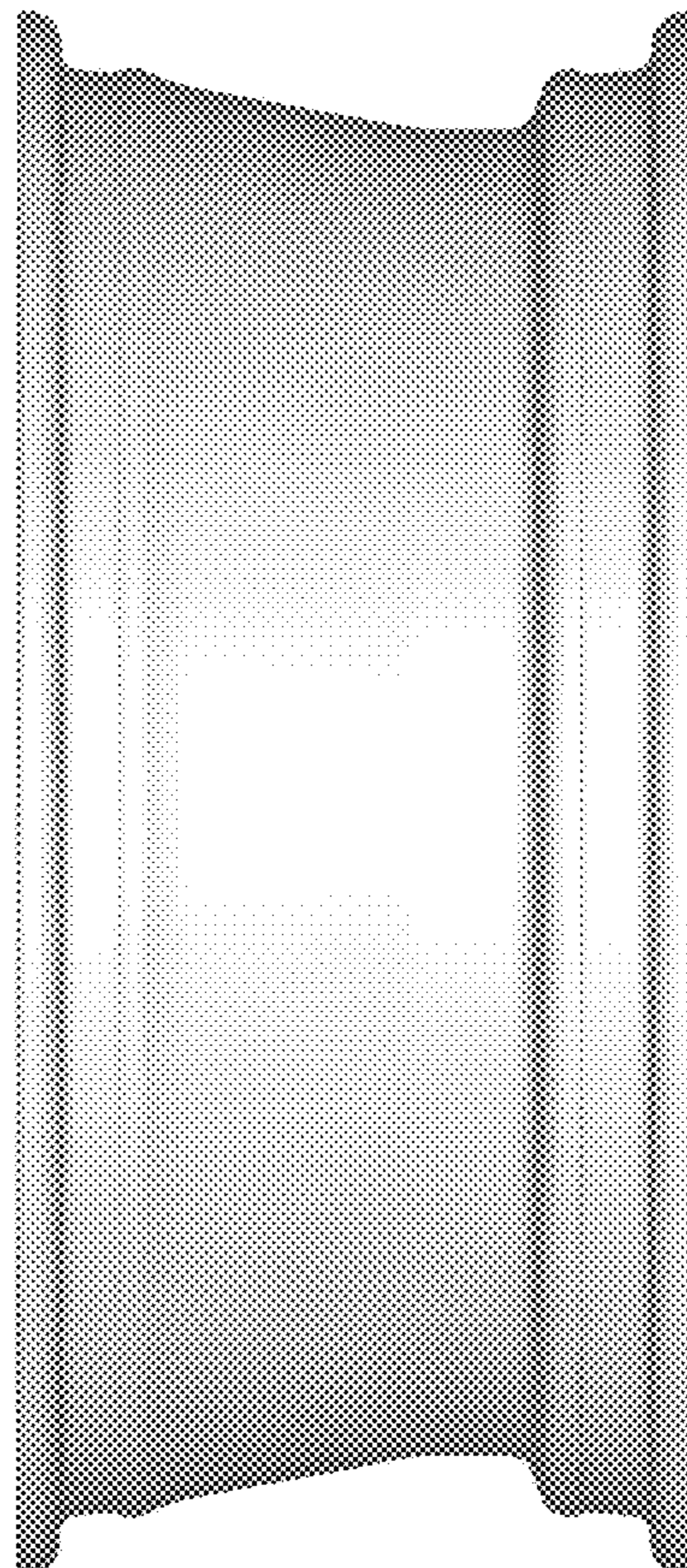


FIG. 4

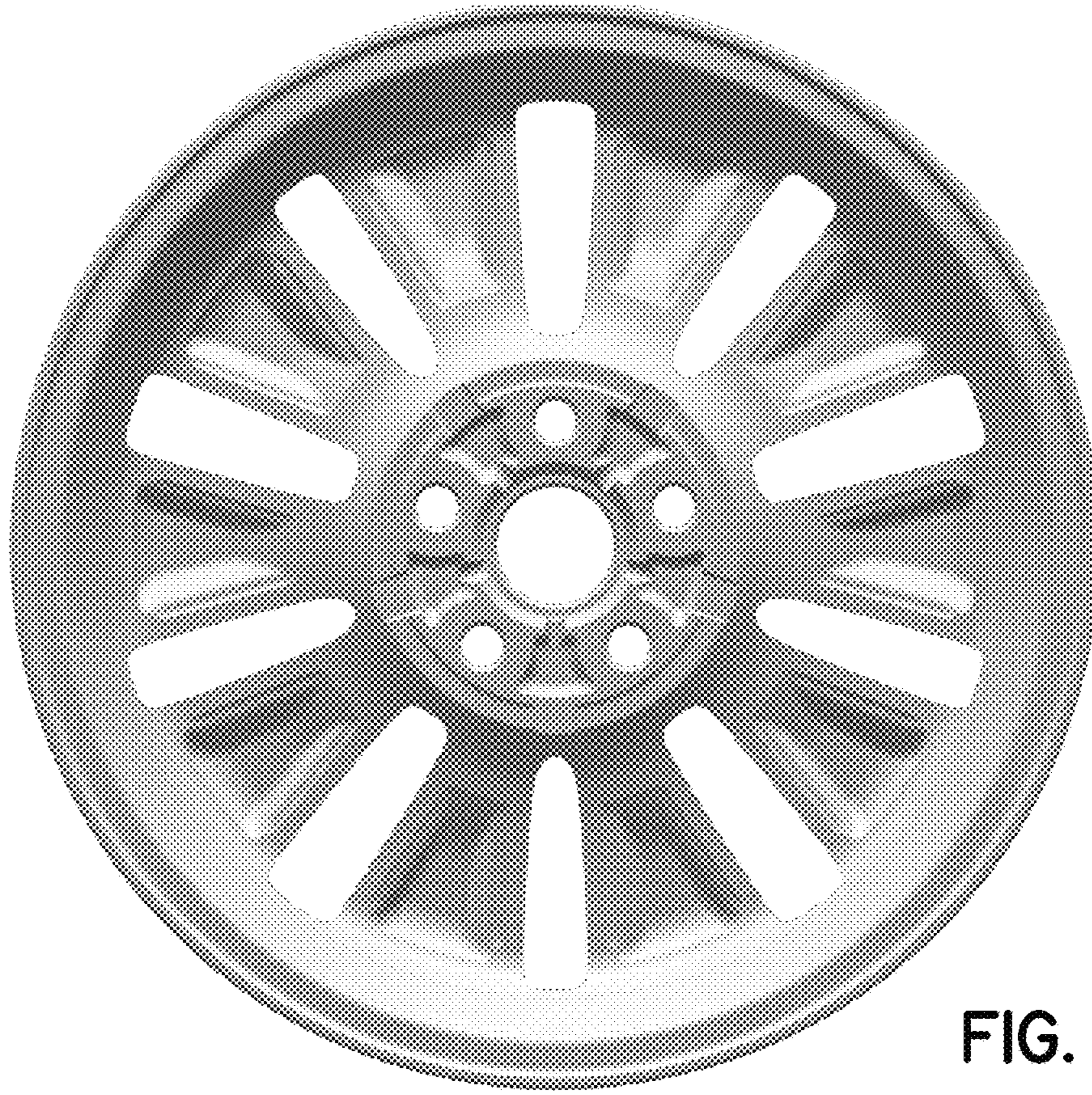


FIG. 5



FIG. 6



FIG. 7