



US00D880397S

(12) **United States Design Patent**
Smith

(10) **Patent No.:** **US D880,397 S**

(45) **Date of Patent:** **** Apr. 7, 2020**

(54) **WHEEL**

(71) Applicant: **Jaguar Land Rover Limited**, Whitley
Coventry (GB)

(72) Inventor: **Luke Smith**, Whitley Coventry (GB)

(73) Assignee: **Jaguar Land Rover Limited**, Whitley,
Coventry (GB)

(**) Term: **15 Years**

(21) Appl. No.: **29/687,059**

(22) Filed: **Apr. 10, 2019**

Related U.S. Application Data

(62) Division of application No. 29/629,397, filed on Dec.
13, 2017, now Pat. No. Des. 850,348.

(30) **Foreign Application Priority Data**

Jun. 15, 2017 (EM) 004048882

(51) **LOC (12) Cl.** **12-16**

(52) **U.S. Cl.**
USPC **D12/209**

(58) **Field of Classification Search**

USPC D12/204-213; D21/563

CPC B60B 7/00; B60B 7/02; B60B 7/04; B60B
7/01; B60B 7/06; B60B 3/02; B60B 3/04;
B60B 3/06; B60B 3/10; B60B 1/00;
B60B 1/08; B60B 1/10; B60B 1/12

See application file for complete search history.

(56) **References Cited**

U.S. PATENT DOCUMENTS

D594,800 S * 6/2009 Blasi D12/209
D725,569 S * 3/2015 Komukai D12/209
D753,045 S * 4/2016 Kawaguchi D12/209
D762,543 S * 8/2016 Hara D12/209

D791,046 S * 7/2017 Ishii D12/209
D792,306 S * 7/2017 Ishigaki D12/209
D803,131 S * 11/2017 Bridan D12/209
D818,411 S * 5/2018 Kawaguchi D12/209
D818,926 S * 5/2018 Miyazawa D12/209
D850,348 S * 6/2019 Smith D12/209
D852,705 S * 7/2019 Smith D12/209
D863,190 S * 10/2019 Han D12/209
D867,257 S * 11/2019 Battams D12/209

* cited by examiner

Primary Examiner — Stacia A Cadmus

(74) *Attorney, Agent, or Firm* — Wood Herron & Evans
LLP

(57) **CLAIM**

The ornamental design for a wheel, as shown and described.

DESCRIPTION

FIG. 1 is a front left perspective view of a wheel for a vehicle
according to the present invention.

FIG. 2 is a front right perspective view of the wheel shown
in FIG. 1.

FIG. 3 is a front view thereof.

FIG. 4 is a left side view thereof, the right side view being
a mirror image thereof.

FIG. 5 is a rear view thereof.

FIG. 6 is a rear right perspective view thereof.

FIG. 7 is a rear left perspective view thereof.

FIG. 8 is a front left perspective view of a wheel for a vehicle
according to embodiment of the present invention.

FIG. 9 is a front right perspective view of the wheel shown
in FIG. 8.

FIG. 10 is a front view thereof.

FIG. 11 is a left side view thereof, the right side view being
a mirror image thereof.

FIG. 12 is a rear view thereof.

FIG. 13 is a rear right perspective view thereof; and,

FIG. 14 is a rear left perspective view thereof.

1 Claim, 10 Drawing Sheets

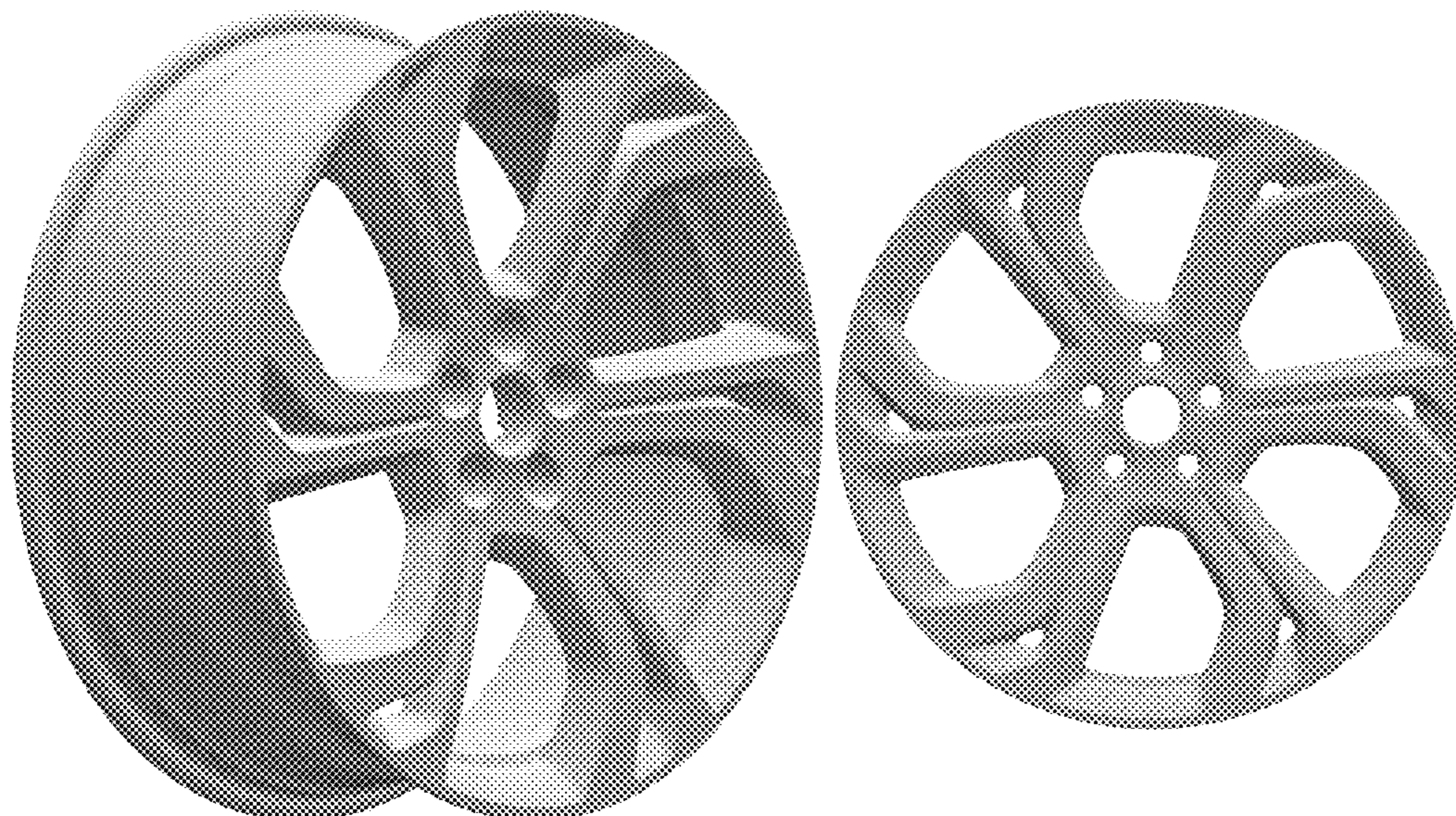




FIG. 1



FIG. 2

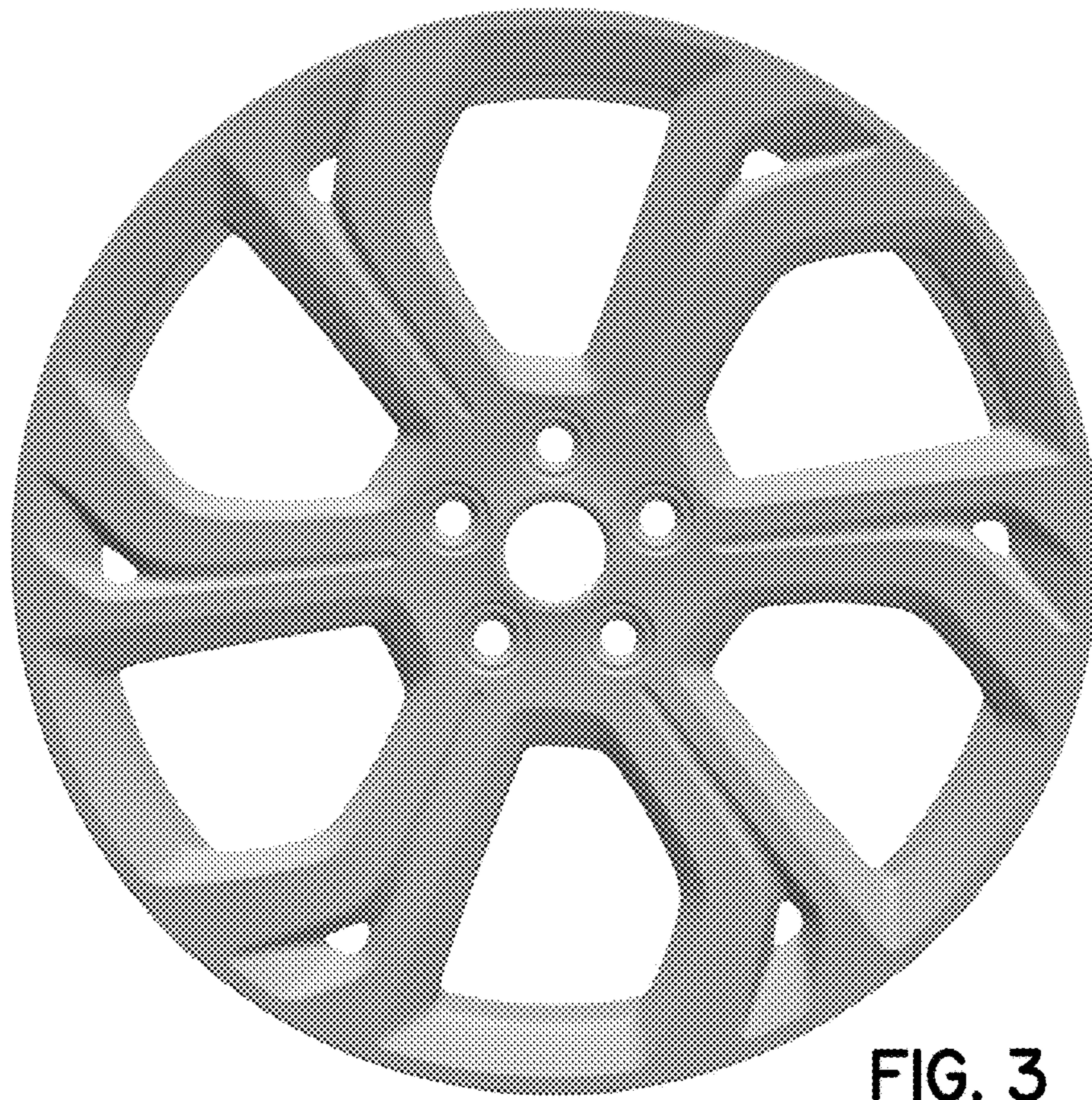


FIG. 3

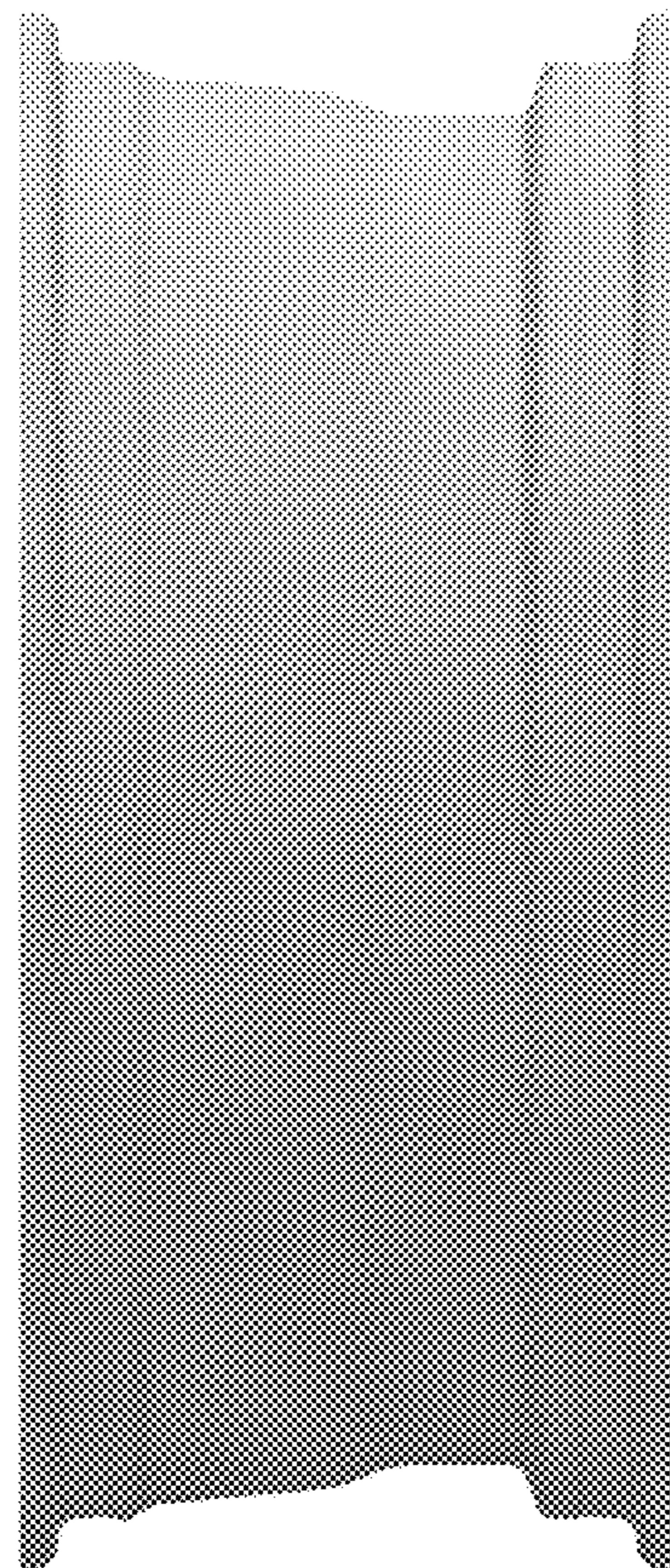


FIG. 4

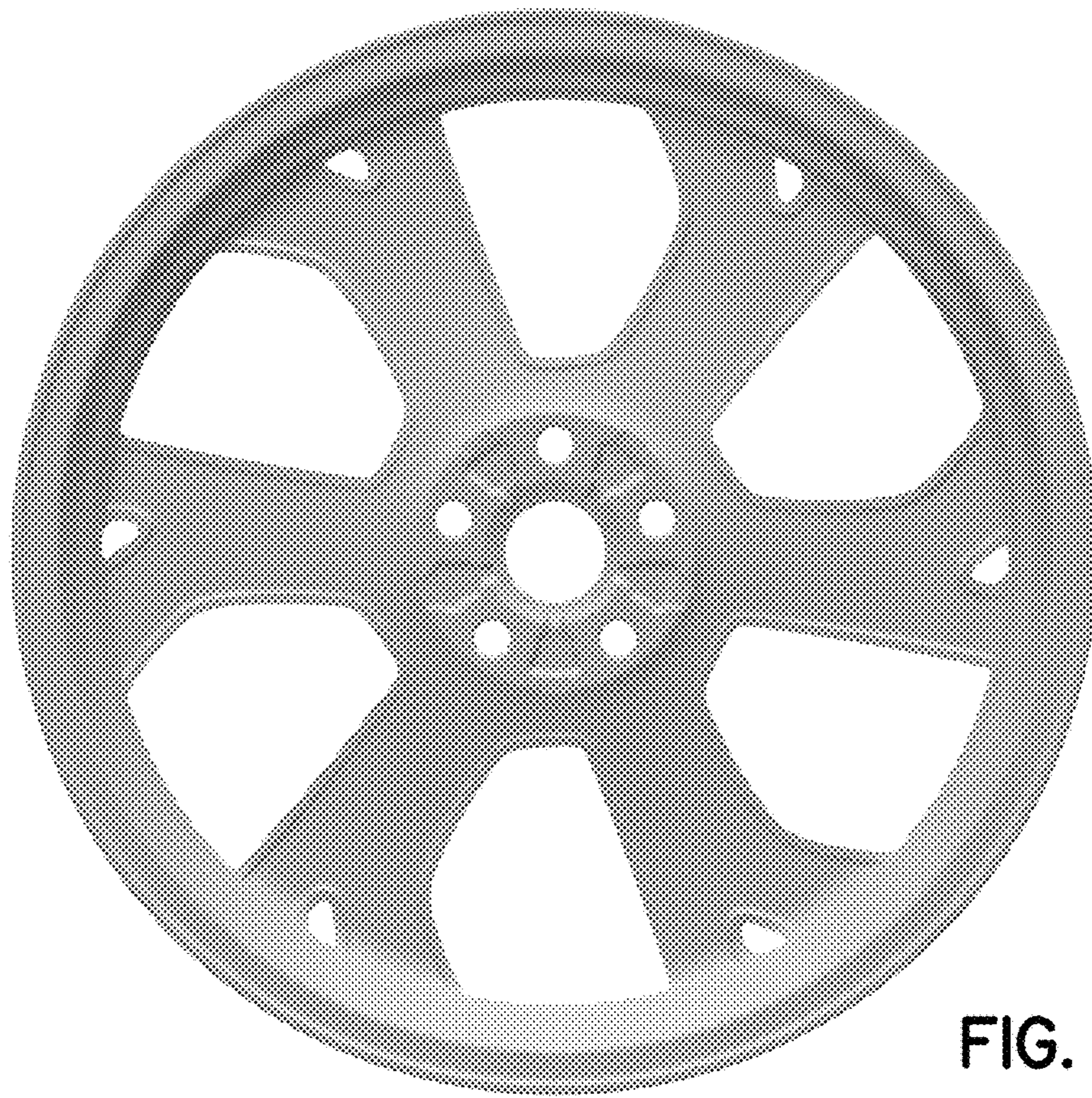


FIG. 5



FIG. 6



FIG. 7



FIG. 8



FIG. 9



FIG. 10

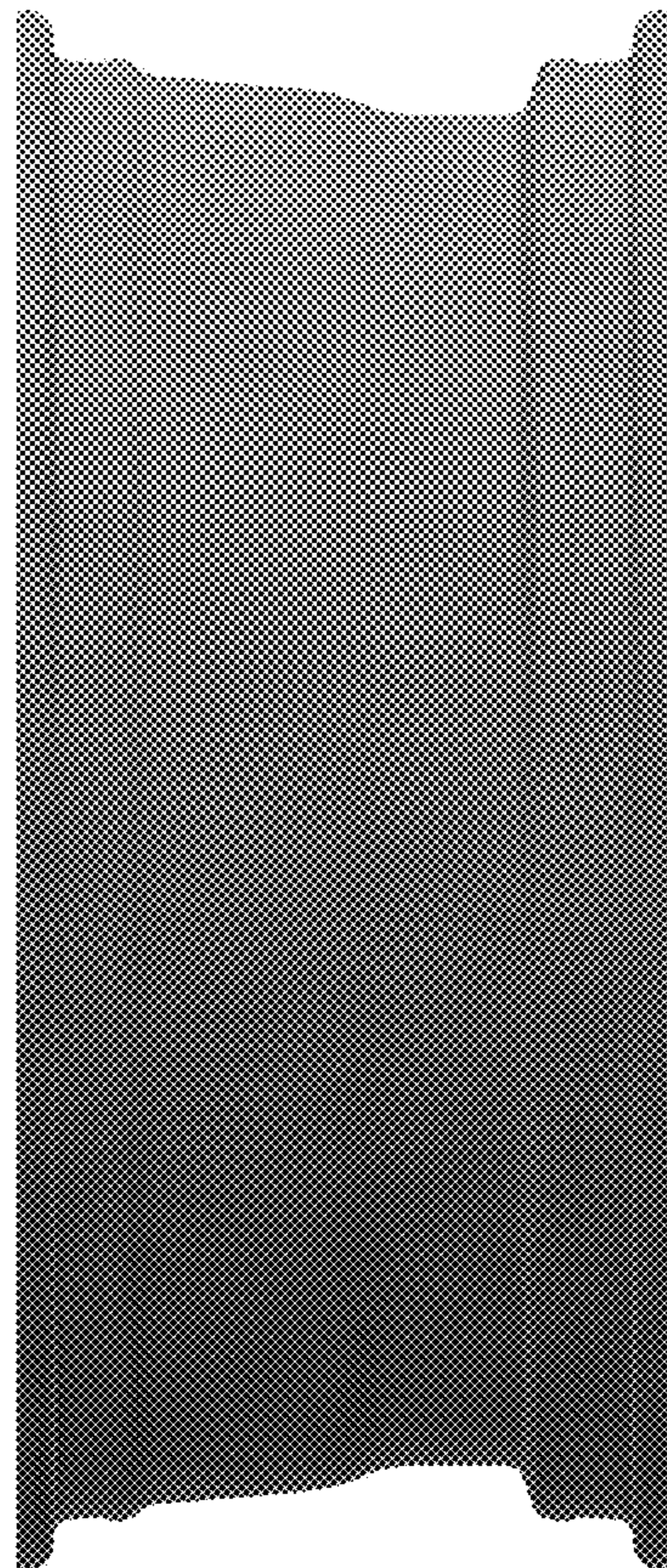


FIG. 11



FIG. 12



FIG. 13



FIG. 14

UNITED STATES PATENT AND TRADEMARK OFFICE
CERTIFICATE OF CORRECTION

PATENT NO. : D880,397 S
APPLICATION NO. : 29/687059
DATED : April 7, 2020
INVENTOR(S) : Luke Smith

Page 1 of 1

It is certified that error appears in the above-identified patent and that said Letters Patent is hereby corrected as shown below:

On the Title Page

Column 2, "Description", Lines 11-12, "FIG. 8 is a front left perspective view of a wheel for a vehicle according to embodiment" should be ---FIG. 8 is a front left perspective view of a wheel for a vehicle according to a second embodiment---.

Signed and Sealed this
Thirteenth Day of July, 2021



Drew Hirshfeld
*Performing the Functions and Duties of the
Under Secretary of Commerce for Intellectual Property and
Director of the United States Patent and Trademark Office*