



US00D880388S

(12) **United States Design Patent** (10) **Patent No.:** **US D880,388 S**
Peat (45) **Date of Patent:** **** Apr. 7, 2020**

(54) **REAR DOOR CASING**
(71) Applicant: **Jaguar Land Rover Limited**, Whitley, Coventry (GB)
(72) Inventor: **Anthony Peat**, Coventry (GB)
(73) Assignee: **Jaguar Land Rover Limited**, Whitley, Coventry (GB)
(**) Term: **15 Years**
(21) Appl. No.: **29/691,947**
(22) Filed: **May 21, 2019**

Related U.S. Application Data

(62) Division of application No. 29/640,925, filed on Mar. 19, 2018, now Pat. No. Des. 853,923.

(30) **Foreign Application Priority Data**

Sep. 18, 2017 (EM) 004360576

(51) **LOC (12) Cl.** **12-08**

(52) **U.S. Cl.**
USPC **D12/195**

(58) **Field of Classification Search**
USPC D12/195, 193, 414, 190, 196; D15/17, D15/28; D10/46, 98, 102-103; D8/302-303
CPC B60J 5/04
See application file for complete search history.

(56) **References Cited**

U.S. PATENT DOCUMENTS

D784,882 S * 4/2017 Lee D12/195
D801,899 S * 11/2017 Watkin D12/195

D807,267 S * 1/2018 Higashimori D12/195
D814,374 S * 4/2018 Patterson D12/195
D816,571 S * 5/2018 Wiedeman D12/195
D816,572 S * 5/2018 Ma D12/195
D816,573 S * 5/2018 Ma D12/195
D819,534 S * 6/2018 Buffery D12/195
D820,754 S * 6/2018 Buffery D12/195
D823,208 S * 7/2018 Boyes D12/195
D823,760 S * 7/2018 Sato D12/195
D831,552 S * 10/2018 Watkin D12/195

* cited by examiner

Primary Examiner — Katrina A Betton

(74) *Attorney, Agent, or Firm* — Wood Herron & Evans LLP

(57) **CLAIM**

The ornamental design for a rear door casing, as shown and described.

DESCRIPTION

FIG. 1 is a front left perspective view of a rear door casing according to the present invention.
FIG. 2 is a front right perspective view of the rear door casing shown in FIG. 1.
FIG. 3 is a rear left perspective view thereof.
FIG. 4 is a rear right perspective view thereof.
FIG. 5 is a front view thereof.
FIG. 6 is a rear view thereof.
FIG. 7 is a left side view thereof.
FIG. 8 is a right side view thereof; and,
FIG. 9 is a top view thereof.
The invention also contemplates a mirror image rear door casing on the opposite side of the vehicle.

1 Claim, 8 Drawing Sheets



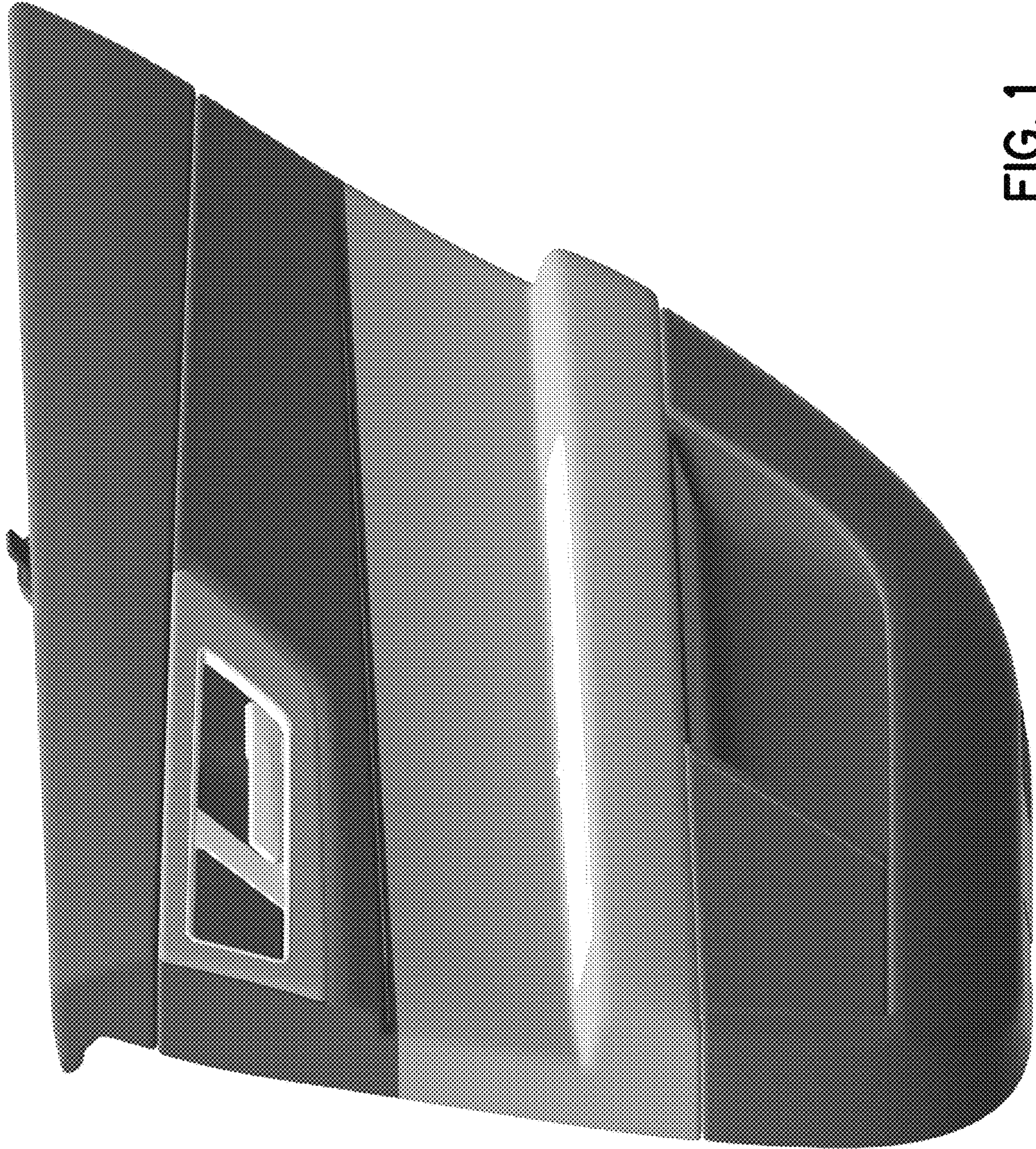


FIG. 1



FIG. 2

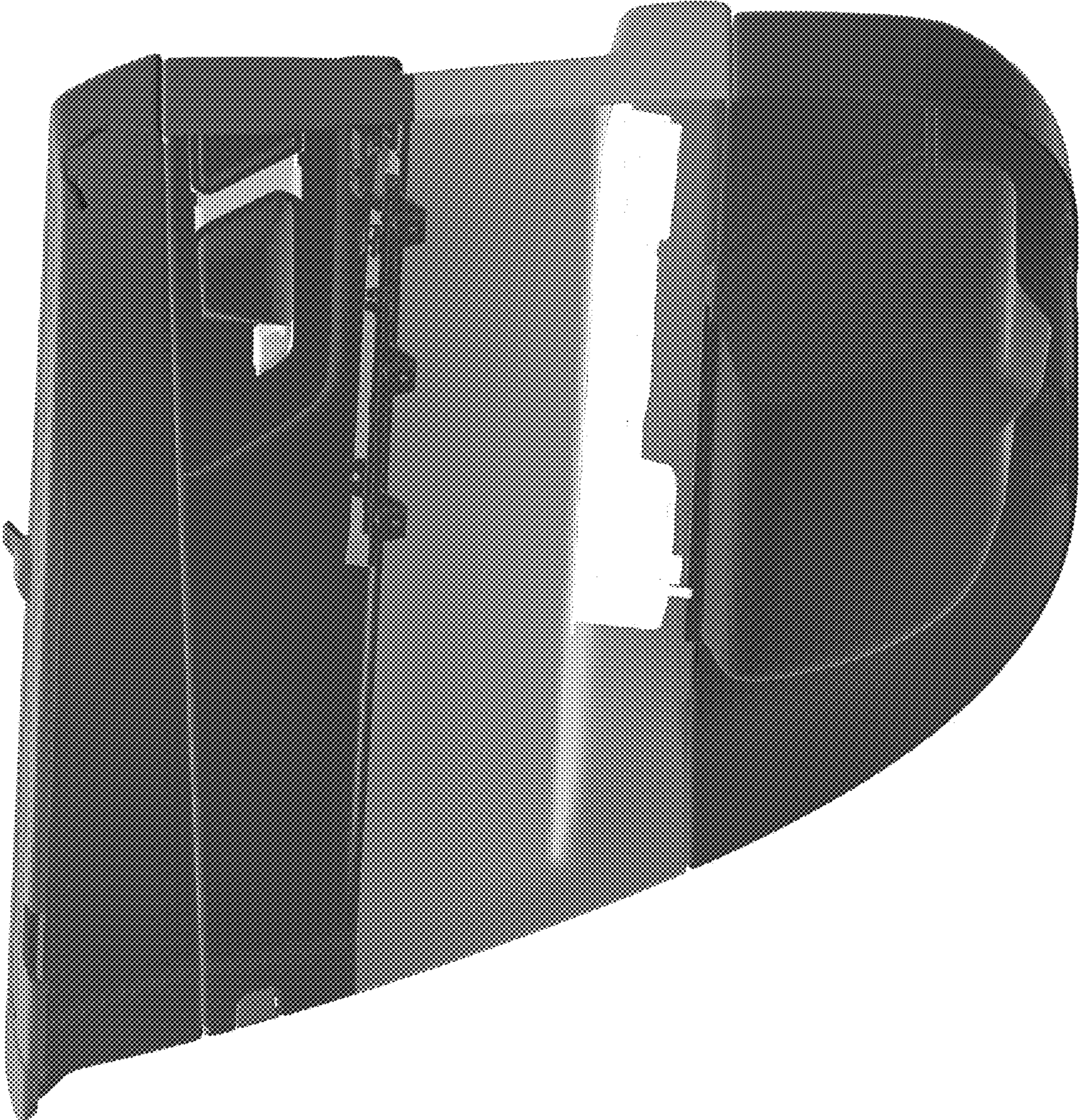


FIG. 3

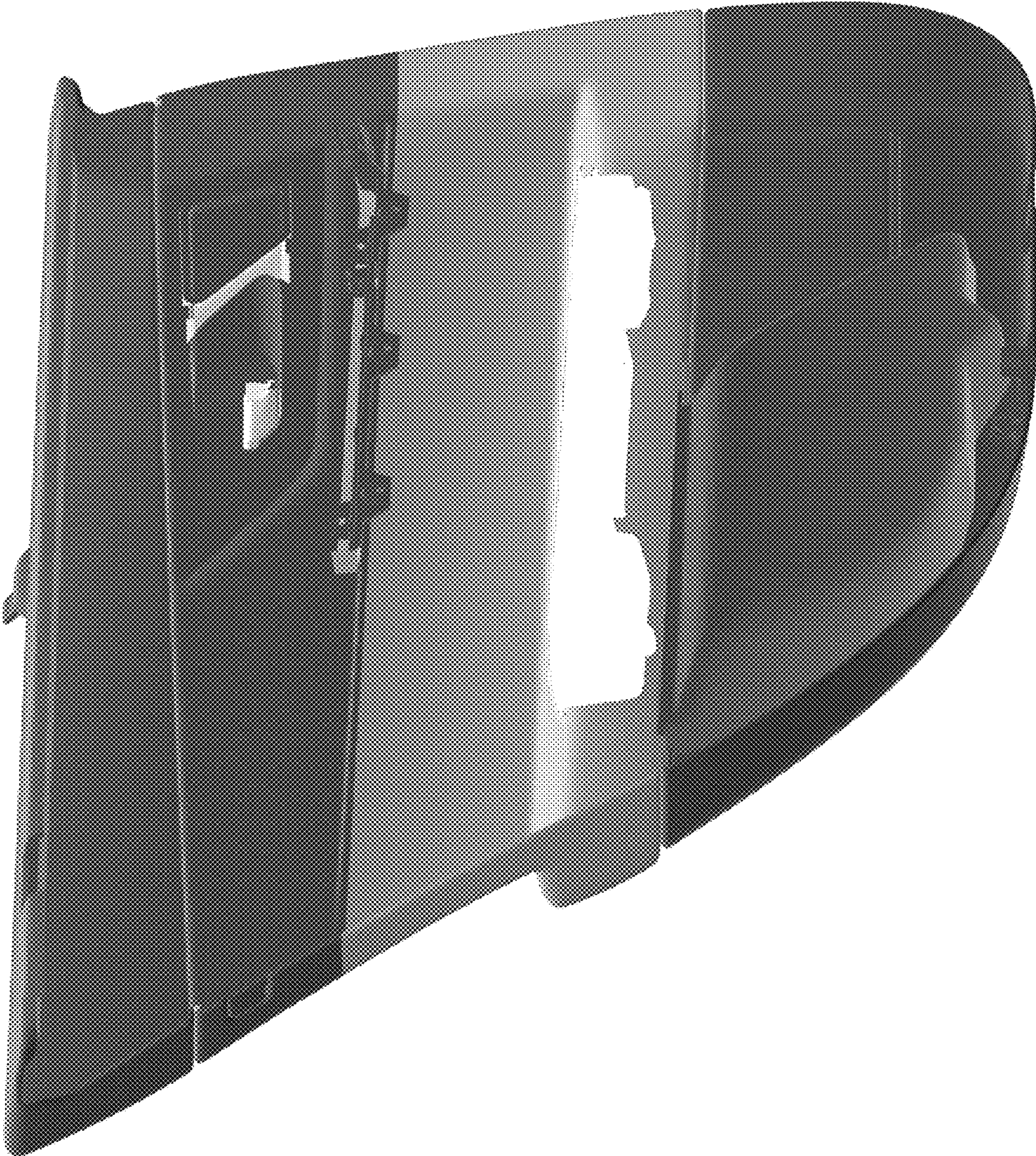


FIG. 4



FIG. 5



FIG. 6

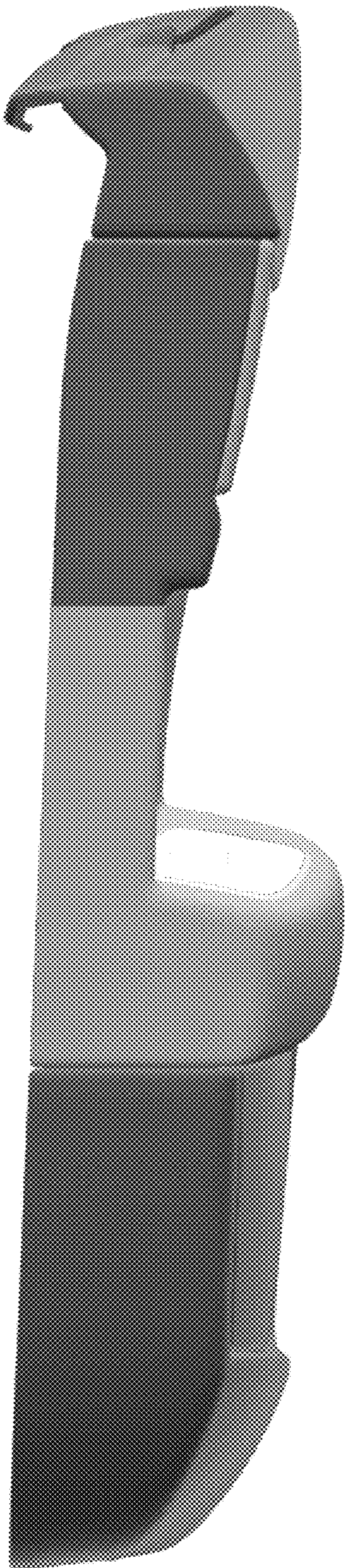


FIG. 7

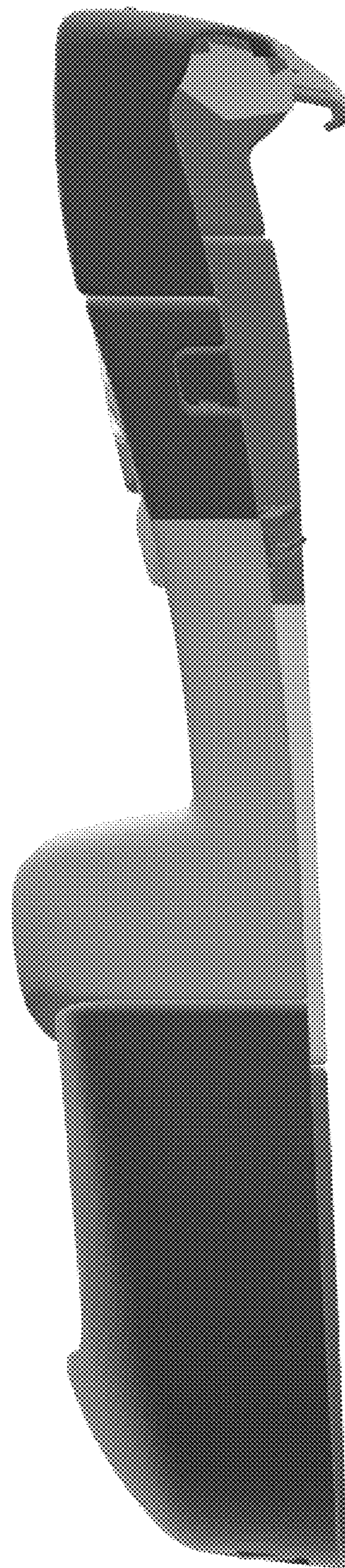


FIG. 8

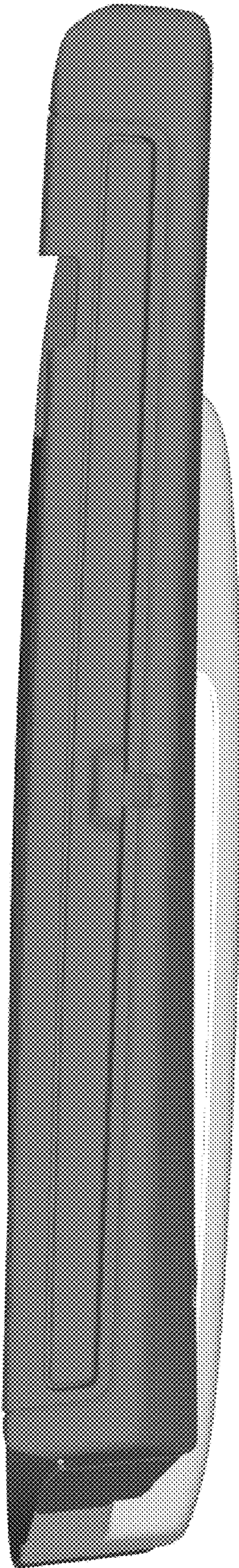


FIG. 9