



US00D880386S

(12) **United States Design Patent** (10) **Patent No.:** **US D880,386 S**  
**Nakao et al.** (45) **Date of Patent:** **\*\* Apr. 7, 2020**

(54) **FRONT DOOR TRIM FOR AUTOMOBILE**

(71) Applicant: **Nissan Motor Co., Ltd.**, Yokohama, Kanagawa (JP)

(72) Inventors: **Akifumi Nakao**, Kanagawa (JP); **Mitsukuni Itou**, Kanagawa (JP)

(73) Assignee: **Nissan Motor Co., Ltd.**, Yokohama (JP)

(\*\*) Term: **15 Years**

(21) Appl. No.: **29/663,223**

(22) Filed: **Sep. 13, 2018**

(30) **Foreign Application Priority Data**

Mar. 15, 2018 (JP) ..... 2018-005490

(51) **LOC (12) Cl.** ..... **12-16**

(52) **U.S. Cl.**  
USPC ..... **D12/195**

(58) **Field of Classification Search**  
USPC ..... D12/195, 196, 193, 414, 190; D10/46, D10/98, 102, 103; D15/17, 28; D8/302, D8/303

CPC ..... B60J 5/04; B60R 7/04; B60R 7/08  
See application file for complete search history.

(56) **References Cited**

**U.S. PATENT DOCUMENTS**

D435,003 S *	12/2000	Tsay	.....	D12/195
D518,763 S *	4/2006	Sudo	.....	D12/195
D519,896 S *	5/2006	Sudo	.....	D12/195
D529,425 S *	10/2006	Maazono	.....	D12/195
D616,348 S *	5/2010	Rosenbohm	.....	D12/195

D626,904 S *	11/2010	Rosenbohm	.....	D12/195
D710,282 S *	8/2014	Min	.....	D12/195
D712,813 S *	9/2014	Tanaka	.....	D12/195
D756,873 S *	5/2016	Donckerwolke	.....	D12/195
D816,572 S *	5/2018	Ma	.....	D12/195
D823,760 S *	7/2018	Sato	.....	D12/195
D829,146 S *	9/2018	Takagi	.....	D12/196
D839,160 S *	1/2019	Kasano	.....	D12/195
D840,888 S *	2/2019	Takagi	.....	D12/195
D852,102 S *	6/2019	Webber	.....	D12/195
D853,922 S *	7/2019	Sandys	.....	D12/195

\* cited by examiner

*Primary Examiner* — Susan E Krakower

*Assistant Examiner* — Jerry Shiuan-Hua Hsu

(74) *Attorney, Agent, or Firm* — Global IP Counselors, LLP

(57) **CLAIM**

The ornamental design for a front door trim for an automobile, as shown and described.

**DESCRIPTION**

FIG. 1 is a front elevational view of a front door trim for an automobile in accordance with our new design, the mirror image of which is similarly understood and considered part of the claim;

FIG. 2 is a top plan view thereof;

FIG. 3 is a bottom plan view thereof;

FIG. 4 is a left side elevational view thereof;

FIG. 5 is a right side elevational view thereof;

FIG. 6 is a front, top, left perspective view thereof; and,

FIG. 7 is a front, top, right side perspective view thereof.

The broken lines illustrate portions of the front door trim for an automobile that form no part of the claimed design.

**1 Claim, 7 Drawing Sheets**

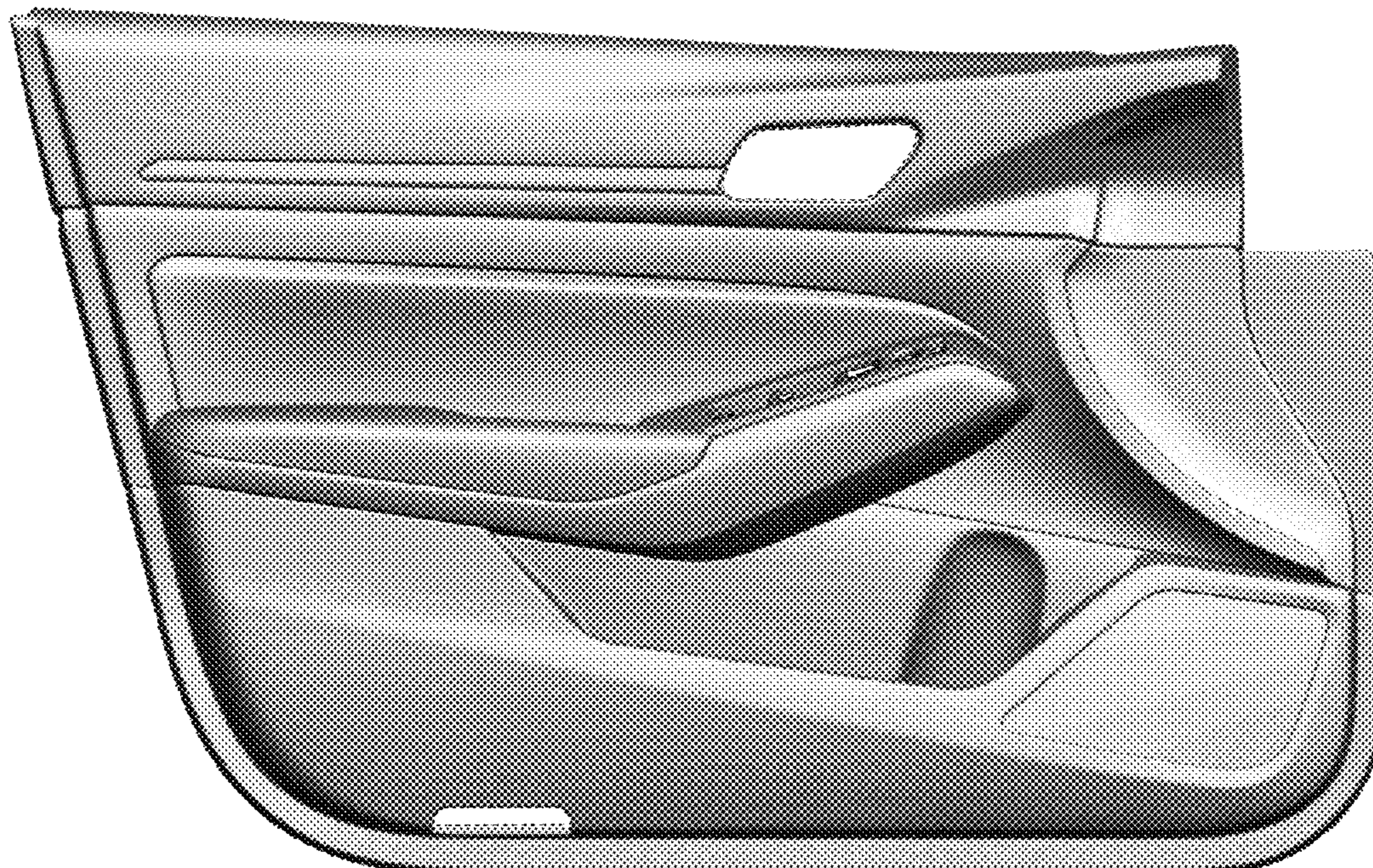






FIG. 1



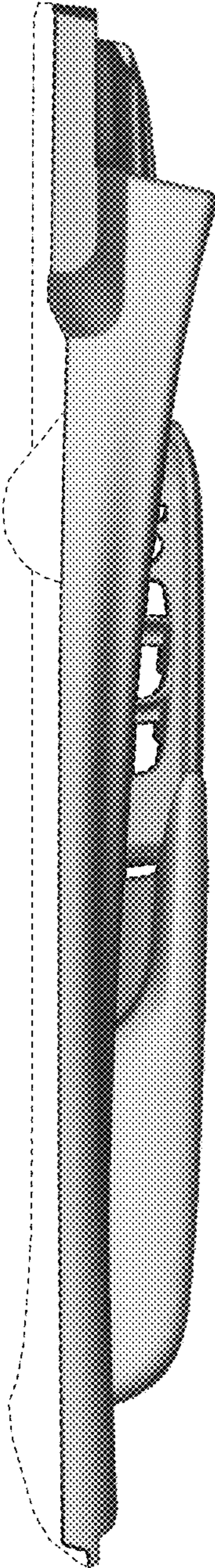


FIG. 2

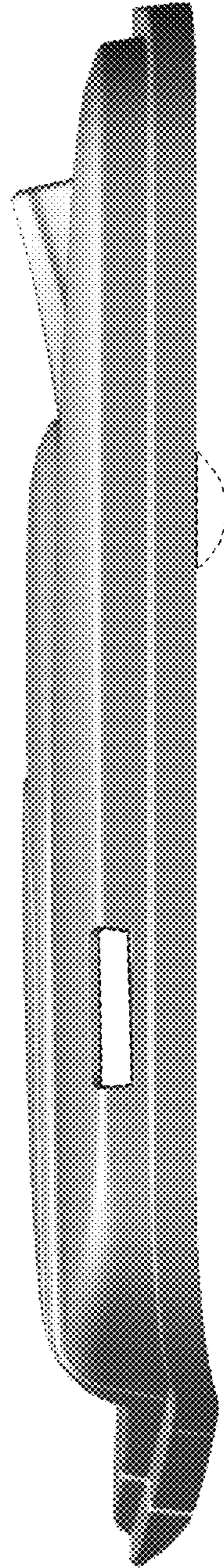


FIG. 3

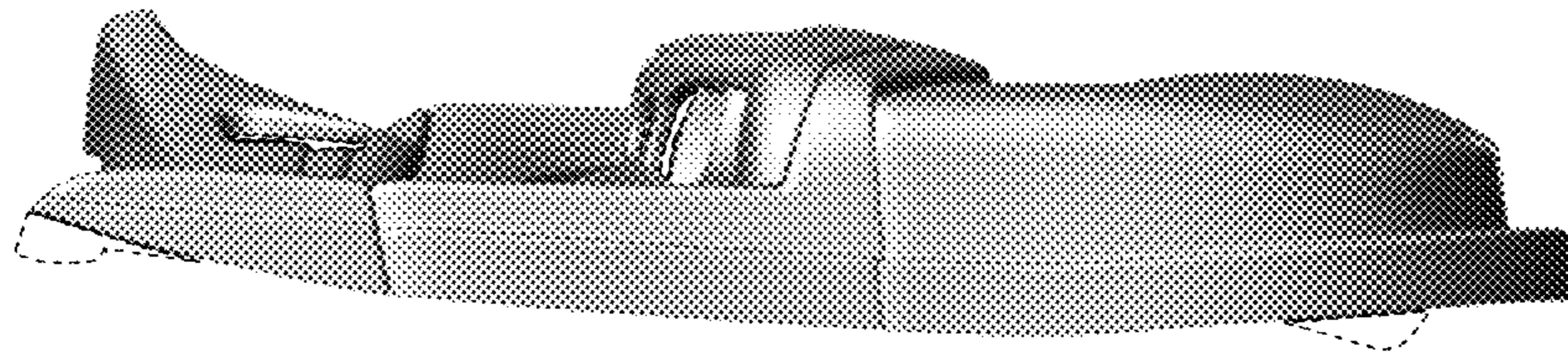


FIG. 4

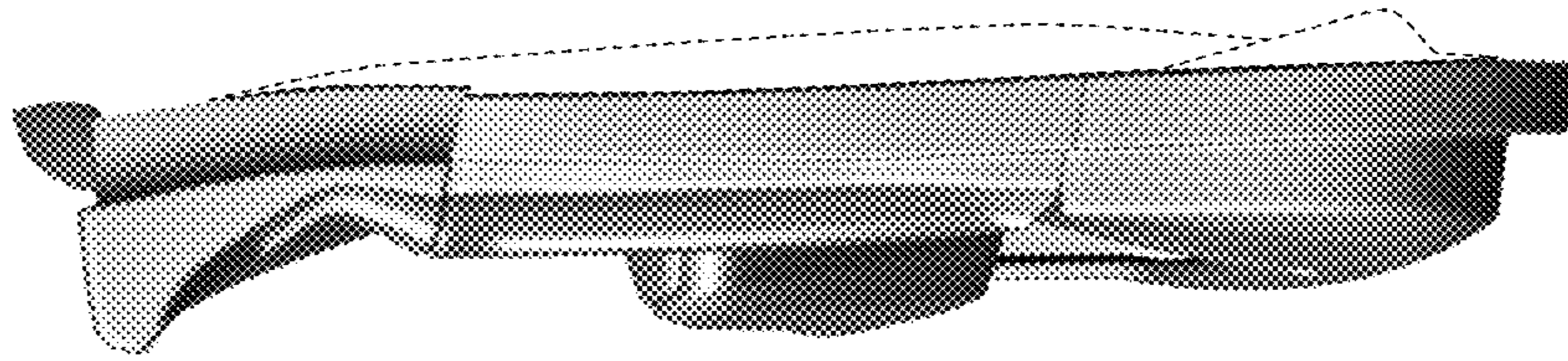


FIG. 5



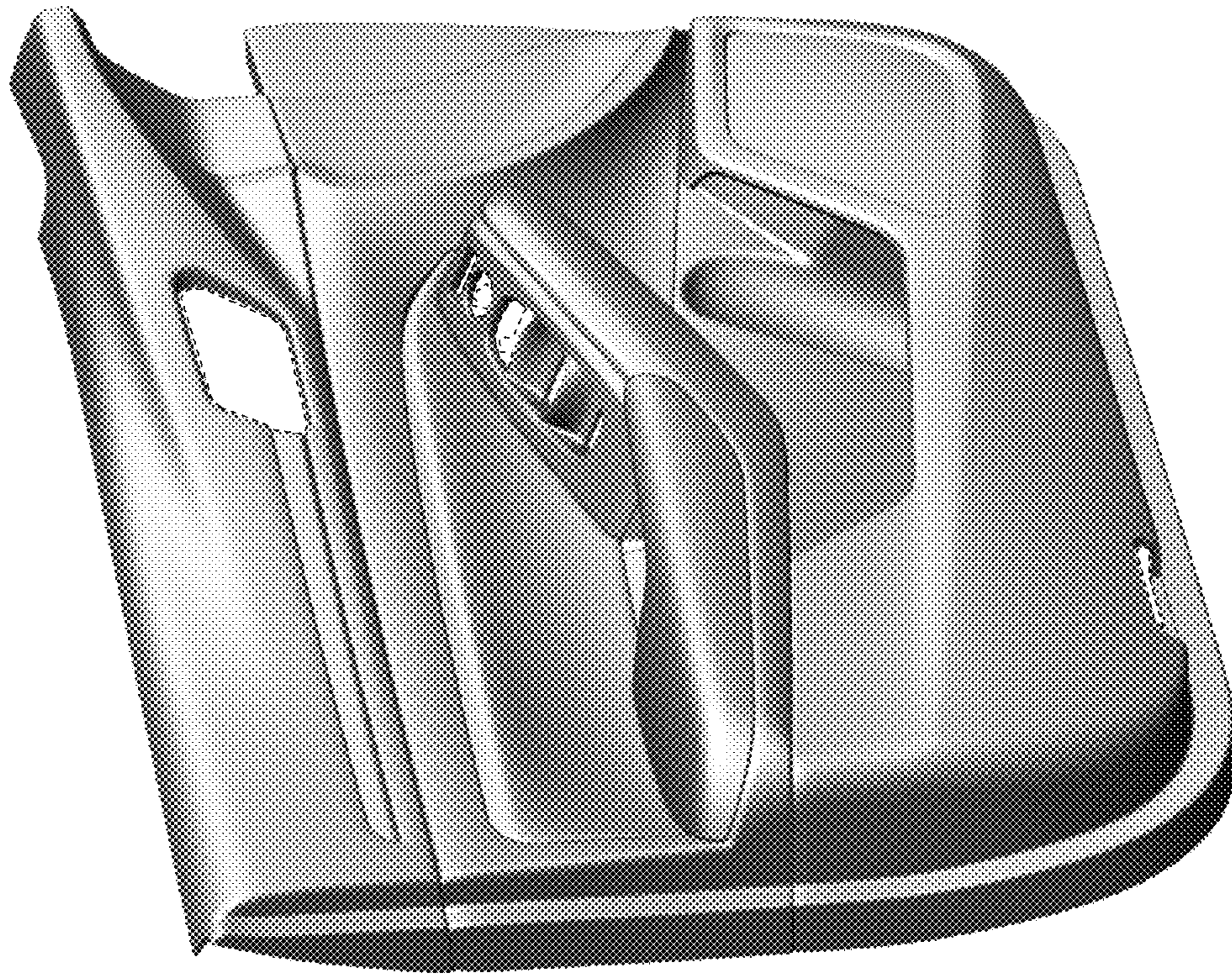


FIG. 6



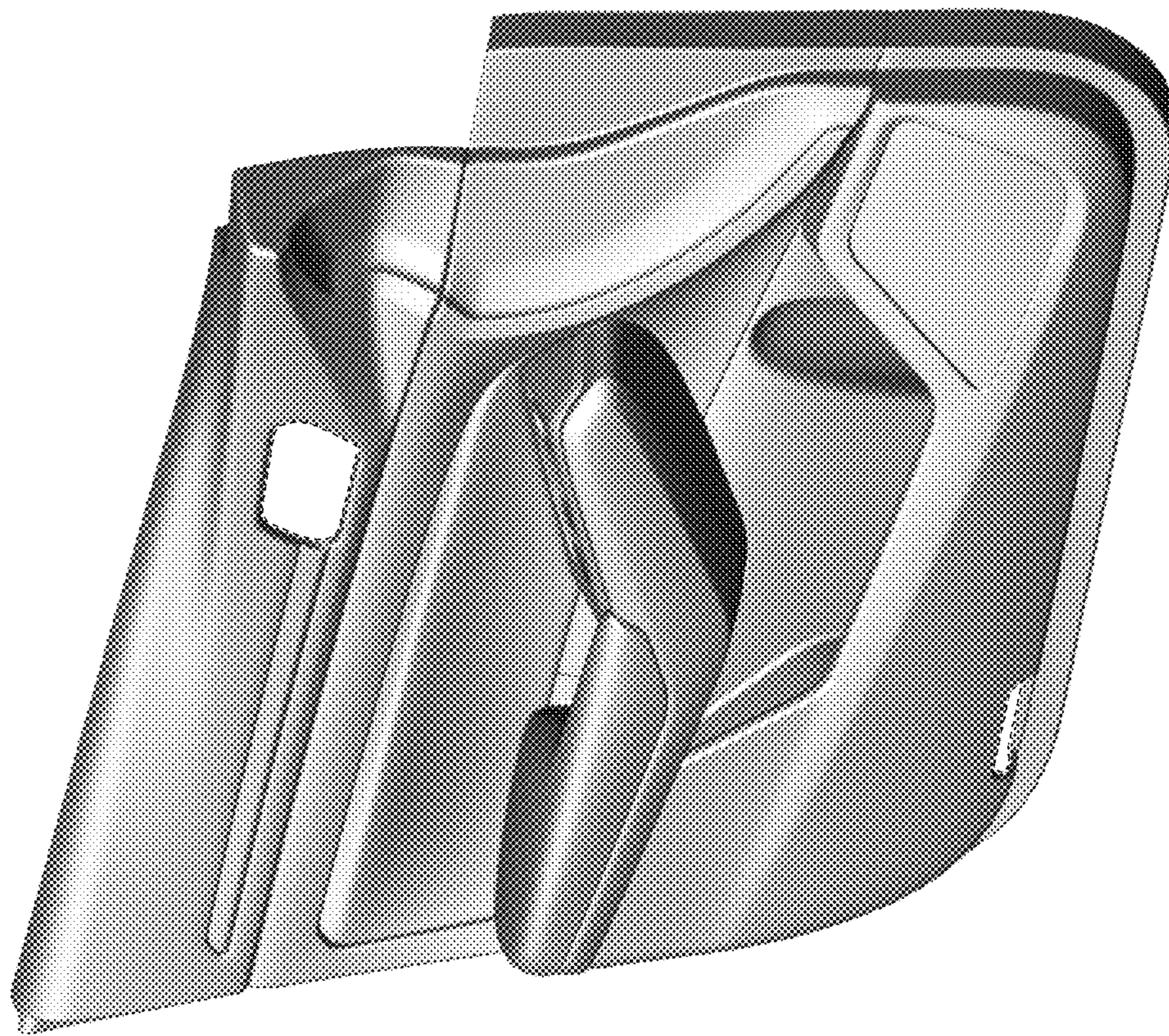


FIG. 7