



US00D880385S

(12) **United States Design Patent** (10) **Patent No.:** **US D880,385 S**
Gillam et al. (45) **Date of Patent:** **** Apr. 7, 2020**

(54) **SIDE MIRROR**

(71) Applicants: **Michael C. Gillam**, Oxford, MI (US);
Joseph S. Dehner, Bloomfield Hills,
MI (US)

(72) Inventors: **Michael C. Gillam**, Oxford, MI (US);
Joseph S. Dehner, Bloomfield Hills,
MI (US)

(73) Assignee: **FCA US LLC**, Auburn Hills, MI (US)

(**) Term: **15 Years**

(21) Appl. No.: **29/689,214**

(22) Filed: **Apr. 29, 2019**

Related U.S. Application Data

(63) Continuation-in-part of application No. 29/626,530,
filed on Nov. 17, 2017, now Pat. No. Des. 847,029,
and a continuation-in-part of application No.
29/626,547, filed on Nov. 17, 2017, now Pat. No. Des.
868,632, and a continuation-in-part of application No.
29/626,539, filed on Nov. 17, 2017, now Pat. No. Des.
847,030.

(51) **LOC (12) Cl.** **12-16**

(52) **U.S. Cl.**
USPC **D12/187**

(58) **Field of Classification Search**
USPC D12/187, 188, 189, 191, 92; D6/300,
D6/309

CPC B60R 1/006; B60R 1/008; B60R 1/02;
B60R 1/06; B60R 1/0605; B60R 1/074;
B60R 1/076; B60R 1/078; B60R 1/08;
B60R 1/081; B60R 1/082; B60R 1/10

See application file for complete search history.

(56) **References Cited**

U.S. PATENT DOCUMENTS

D559,162 S *	1/2008	Saridakis	D12/187
D569,774 S *	5/2008	Gresens	D12/187
D644,151 S *	8/2011	Chen	D12/187
D662,014 S *	6/2012	Chen	D12/187
D690,637 S *	10/2013	O'Donnell	D12/187
D691,076 S *	10/2013	Vincent	D12/187
D709,812 S *	7/2014	George	D12/187
D716,206 S *	10/2014	Thole	D12/187
D731,379 S *	6/2015	Behmer	D12/187
D802,502 S *	11/2017	McMahan	D12/187
D807,263 S *	1/2018	Piscitelli	D12/187
D836,033 S *	12/2018	Ninov	D12/98
D847,030 S *	4/2019	Ninov	D12/98

* cited by examiner

Primary Examiner — Susan E Krakower

Assistant Examiner — Jerry Shiuan-Hua Hsu

(74) *Attorney, Agent, or Firm* — Ralph E. Smith

(57) **CLAIM**

The ornamental design for a side mirror, as shown and described.

DESCRIPTION

FIG. 1 is a front perspective view of a side mirror showing our new design;

FIG. 2 is a front view thereof;

FIG. 3 is a rear view thereof;

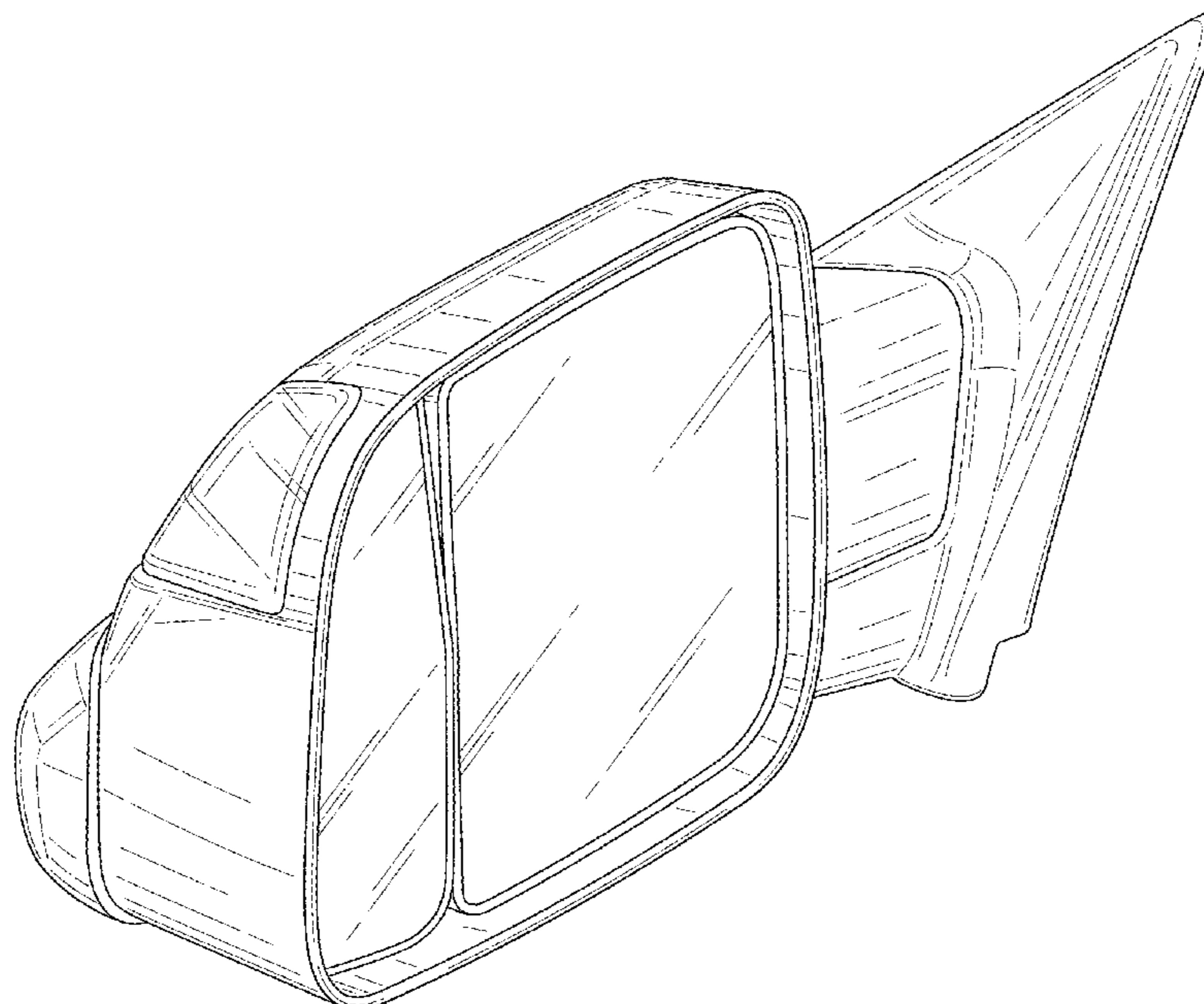
FIG. 4 is a top view thereof;

FIG. 5 is a bottom view thereof; and,

FIG. 6 is a side view thereof.

The broken lines illustrate portions of the side mirror that form no part of the claimed design.

1 Claim, 6 Drawing Sheets



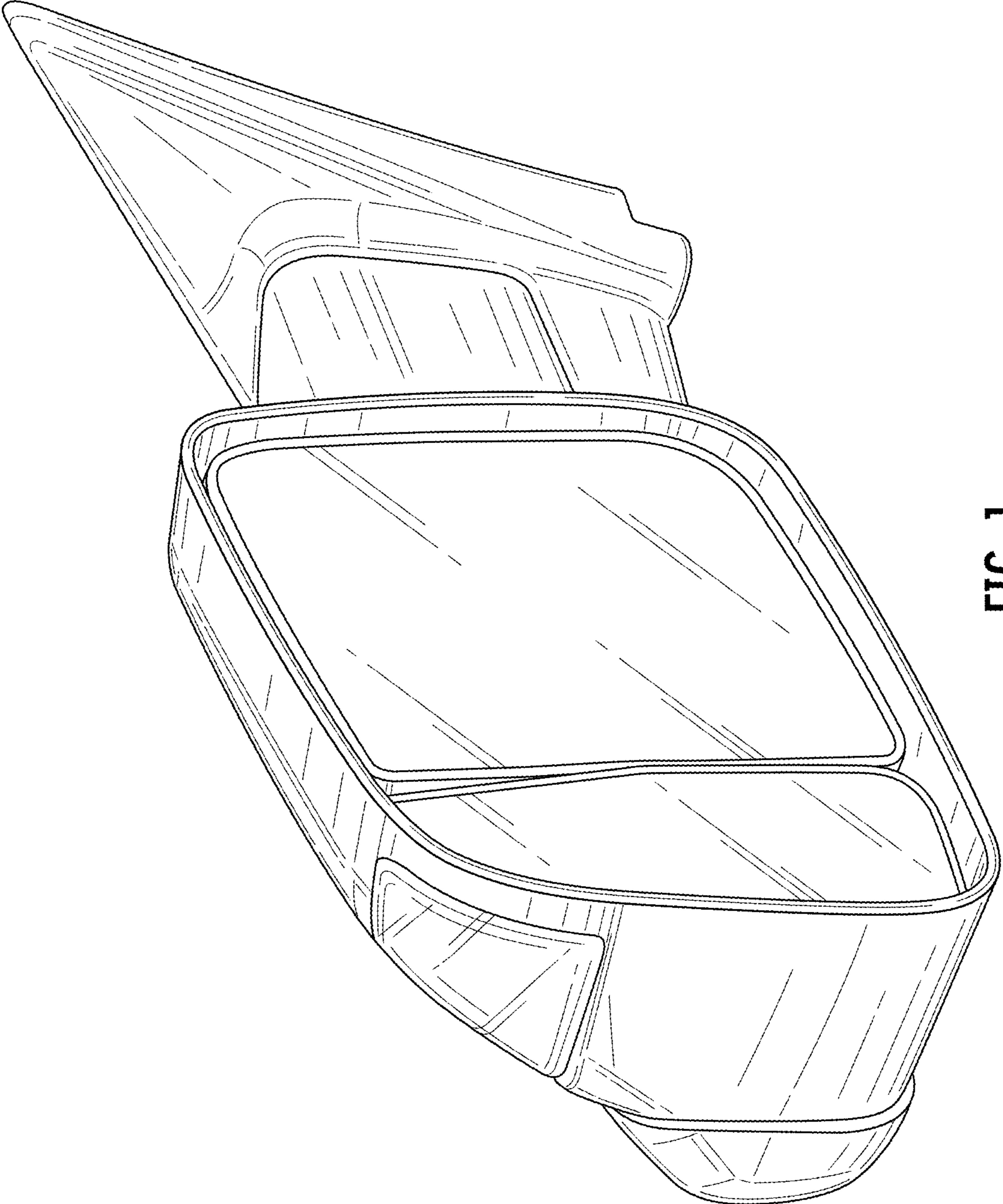


FIG. 1

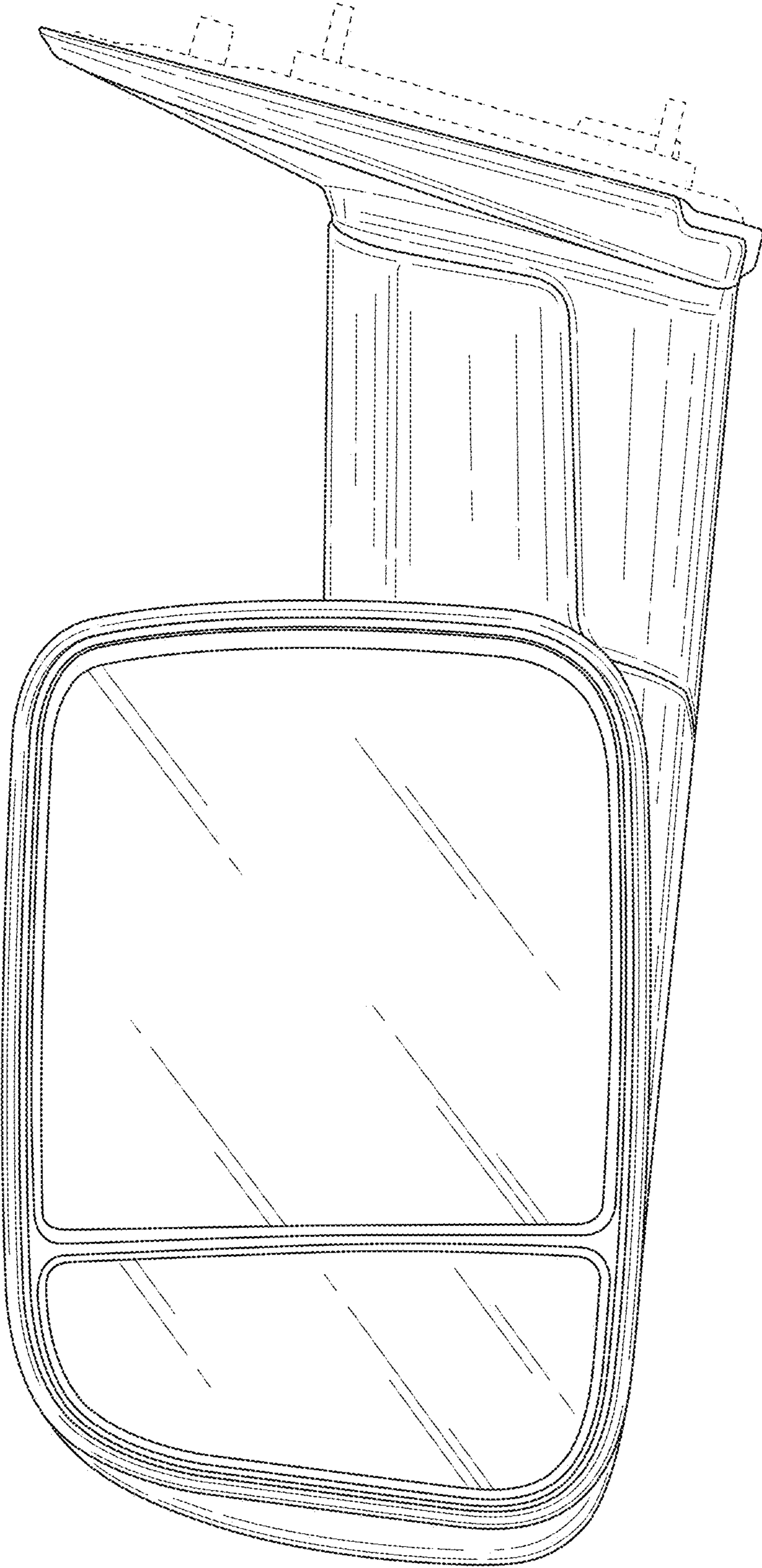


FIG. 2

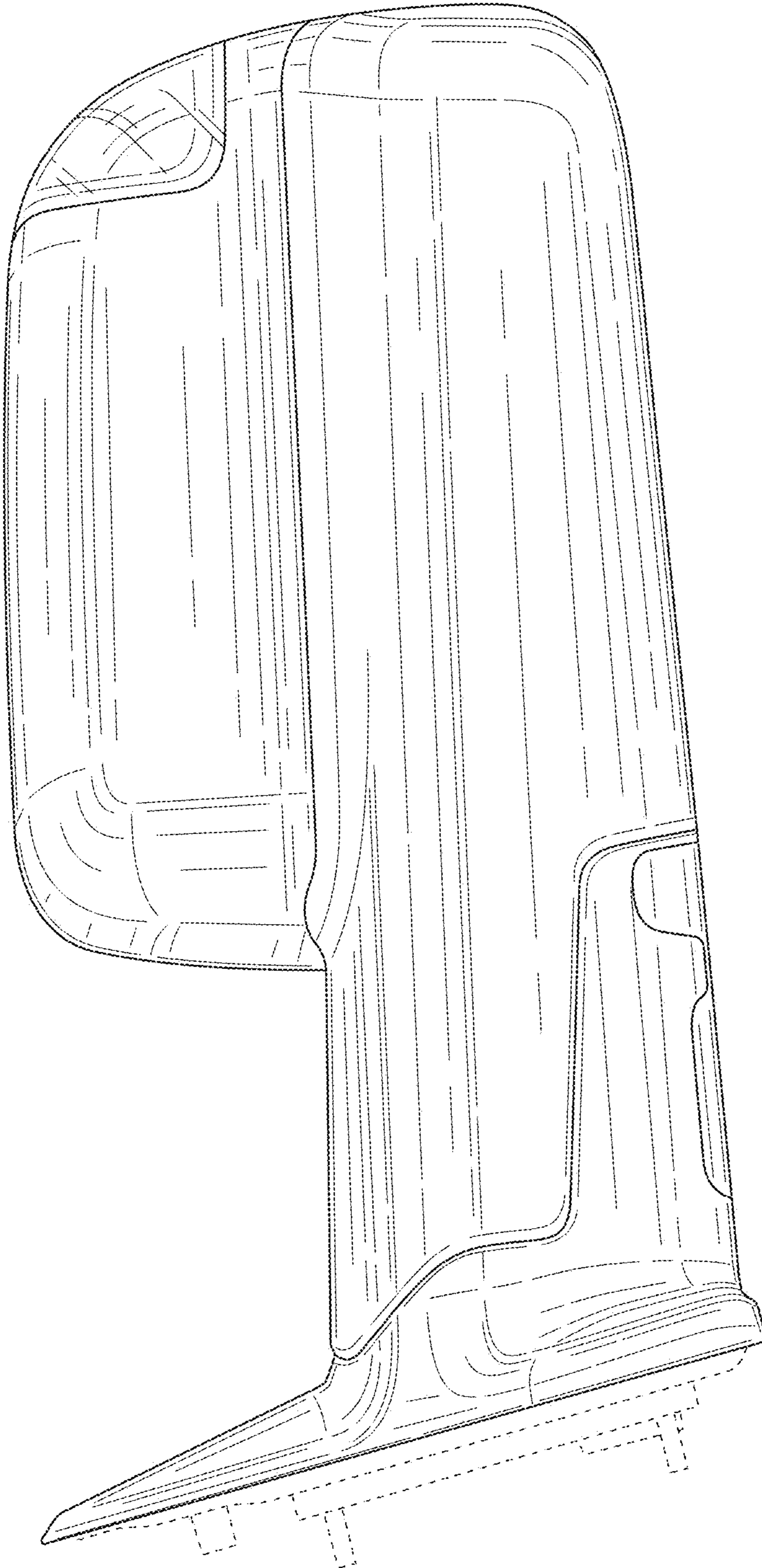


FIG. 3

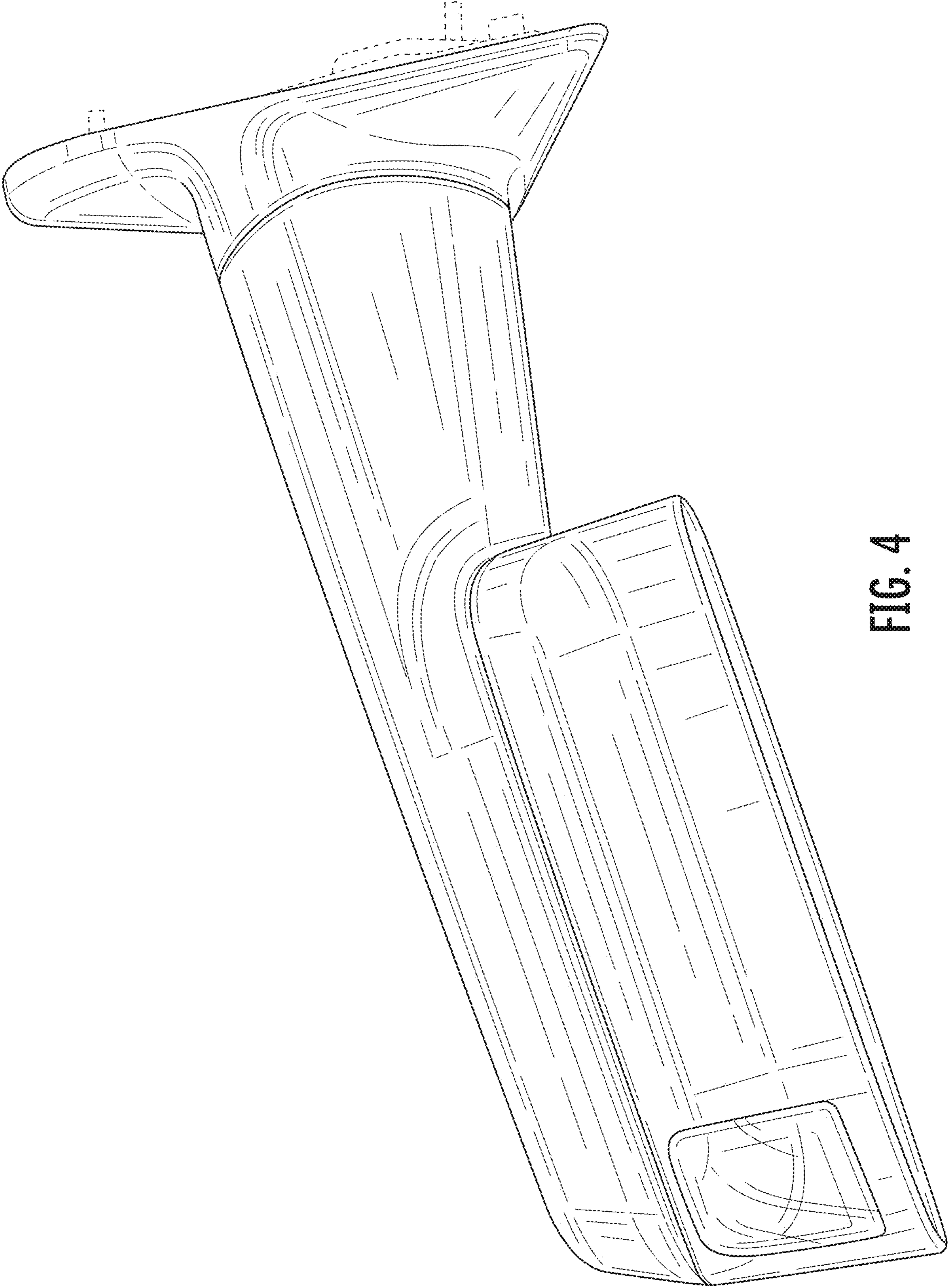


FIG. 4

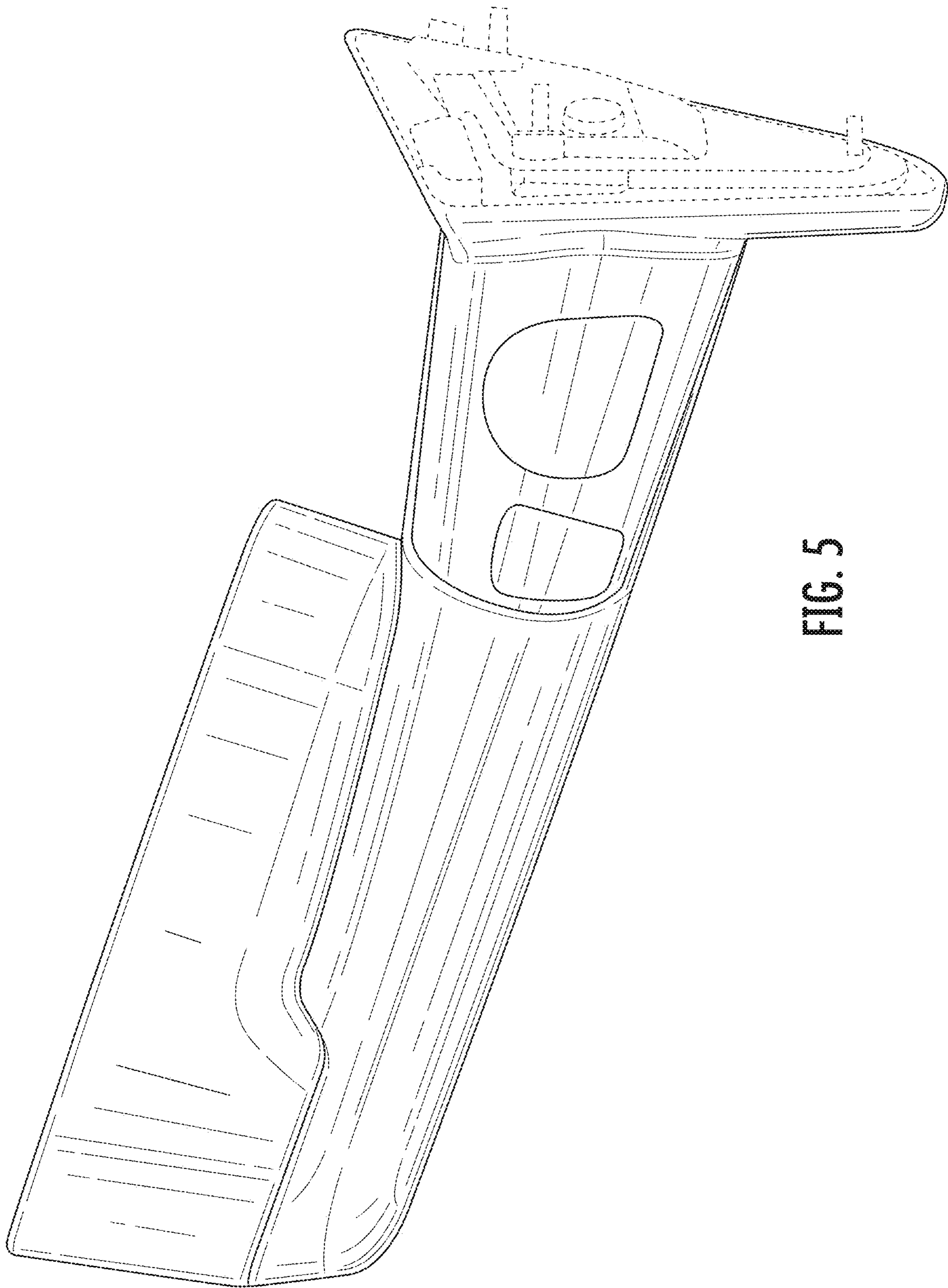


FIG. 5

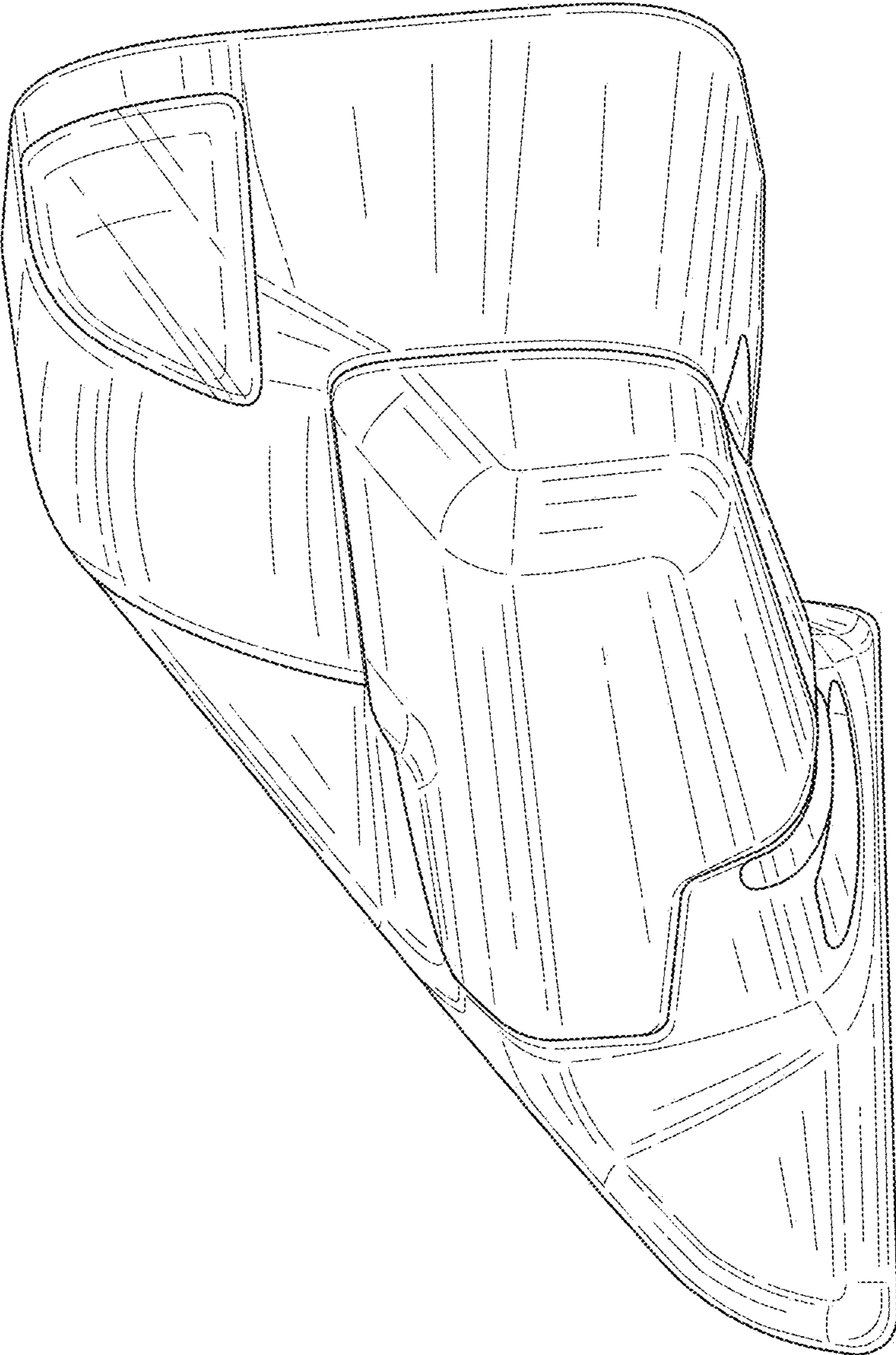


FIG. 6