



US00D880381S

(12) **United States Design Patent**
DiCanzio

(10) **Patent No.:** **US D880,381 S**

(45) **Date of Patent:** **** Apr. 7, 2020**

- (54) **STUBBY FRONT BUMPER**
- (71) Applicant: **Turn 5, Inc.**, Paoli, PA (US)
- (72) Inventor: **Michael DiCanzio**, West Chester, PA (US)
- (73) Assignee: **Turn 5, Inc.**, Paoli, PA (US)
- (**) Term: **15 Years**

D775,016 S *	12/2016	Reynolds	D12/171
D776,582 S *	1/2017	Bennett	D12/169
D777,619 S *	1/2017	Barajas	D12/167
D792,818 S *	7/2017	McMath	D12/169
D793,304 S *	8/2017	McMath	D12/169
D800,036 S *	10/2017	Bennett	D12/169
D826,115 S *	8/2018	Chi	D12/172
D833,922 S *	11/2018	DiCanzio	D12/163
D847,051 S *	4/2019	DiCanzio	D12/171
2017/0088076 A1 *	3/2017	Fujimoto	B60R 19/44

* cited by examiner

- (21) Appl. No.: **29/666,470**
- (22) Filed: **Oct. 12, 2018**
- (51) **LOC (12) Cl.** **12-16**
- (52) **U.S. Cl.**
USPC **D12/171; D12/169**
- (58) **Field of Classification Search**
USPC D12/86, 90, 91, 92, 163, 164, 169, 171,
D12/196, 216
CPC B60R 19/02; B60R 19/18; B60R 19/24;
B60R 19/56; B60R 2019/007; B62D
25/0845
See application file for complete search history.

Primary Examiner — Darlington Ly
(74) *Attorney, Agent, or Firm* — Schott, P.C.

(57) **CLAIM**

The ornamental design for a stubby front bumper, as shown and described.

DESCRIPTION

FIG. 1 is a top, front, and left side perspective view of a stubby front bumper showing my new design;
FIG. 2 is a bottom, front, and left side perspective view thereof;
FIG. 3 is a front elevation view thereof;
FIG. 4 is a rear elevation view thereof;
FIG. 5 is a top plan view thereof;
FIG. 6 is a bottom plan view thereof;
FIG. 7 is a left side elevation view thereof;
FIG. 8 is a right side elevation view thereof; and,
FIG. 9 is a front, top, and left side perspective view thereof as installed on an exemplary vehicle.

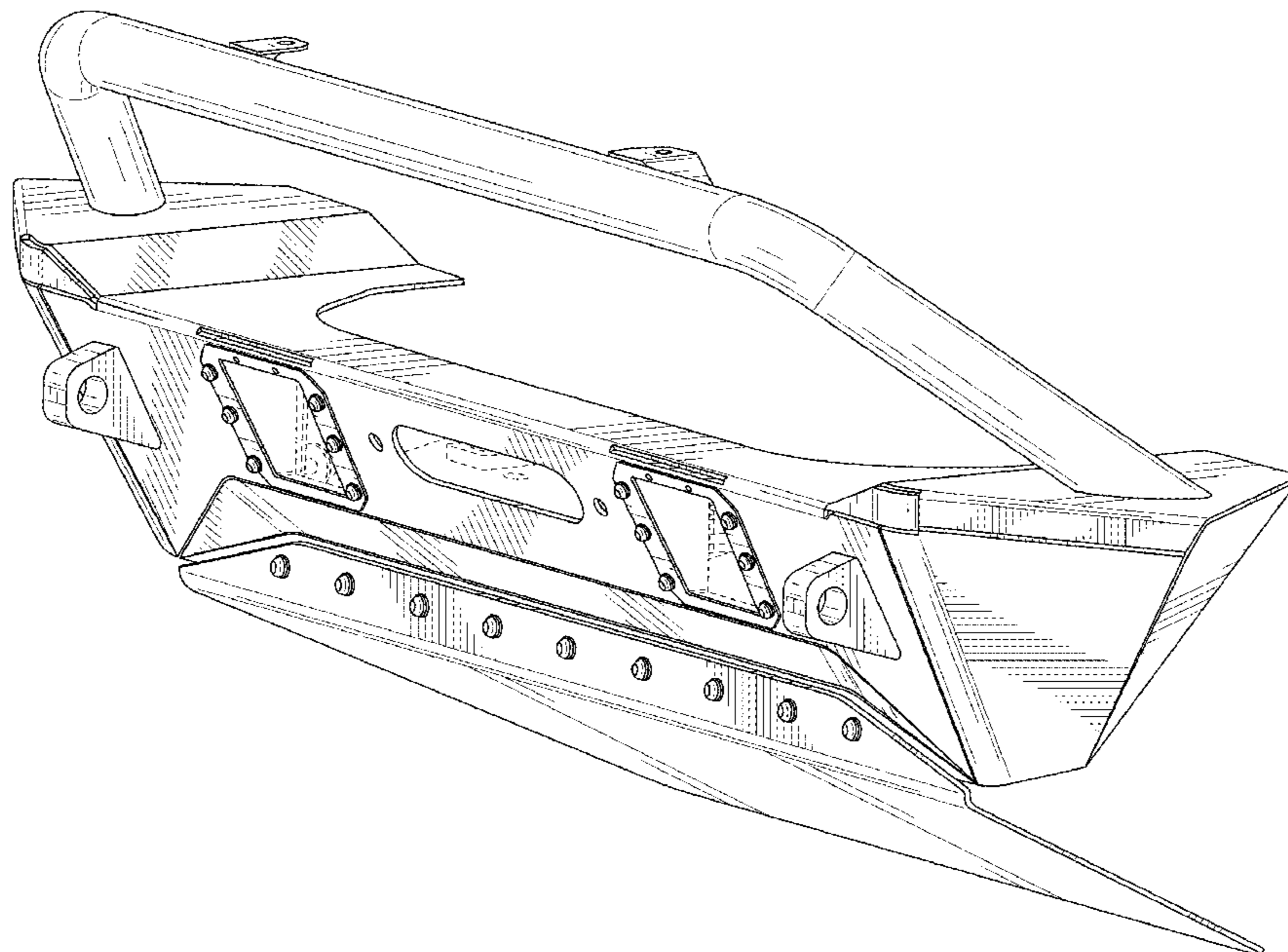
The broken line showing the vehicle is provided for the purpose of illustrating environmental structure. All other broken lines illustrate portions of the stubby front bumper. No subject matter shown in broken lines form part of the claimed design.

1 Claim, 8 Drawing Sheets

(56) **References Cited**

U.S. PATENT DOCUMENTS

D300,128 S *	3/1989	Brennan	D12/169
D375,067 S *	10/1996	Bronstein	D12/169
D432,469 S *	10/2000	Nelson	D12/169
D502,433 S *	3/2005	McClanahan	D12/169
7,703,834 B1 *	4/2010	Hardy	B60R 9/06 296/102
D744,384 S *	12/2015	Harriton	D12/169
D744,387 S *	12/2015	Harriton	D12/169
D751,012 S *	3/2016	Hare	D12/169
D760,133 S *	6/2016	Bennett	D12/171
D771,537 S *	11/2016	Hare	D12/169
D775,013 S *	12/2016	Bennett	D12/169



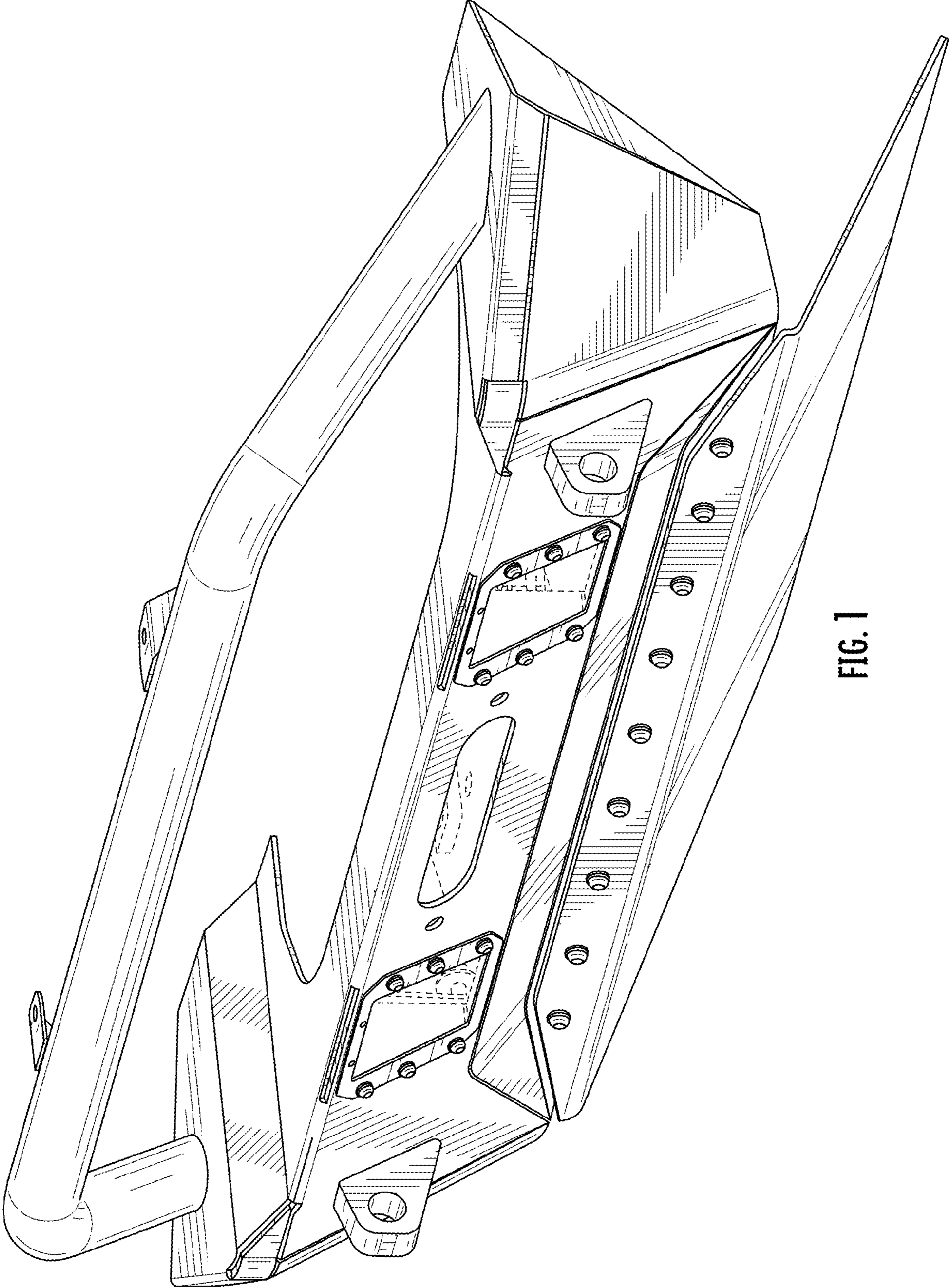


FIG. 1

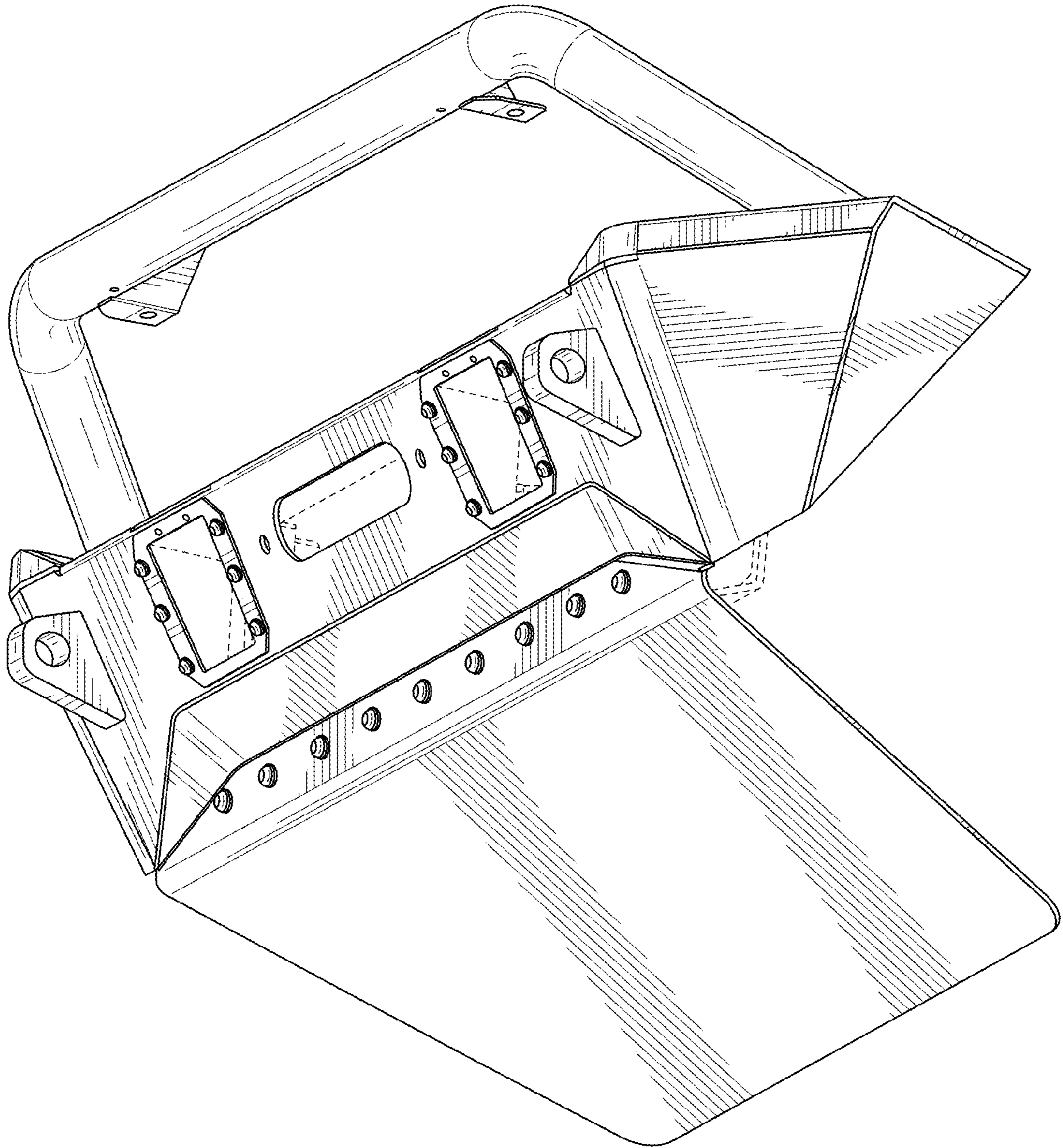


FIG. 2

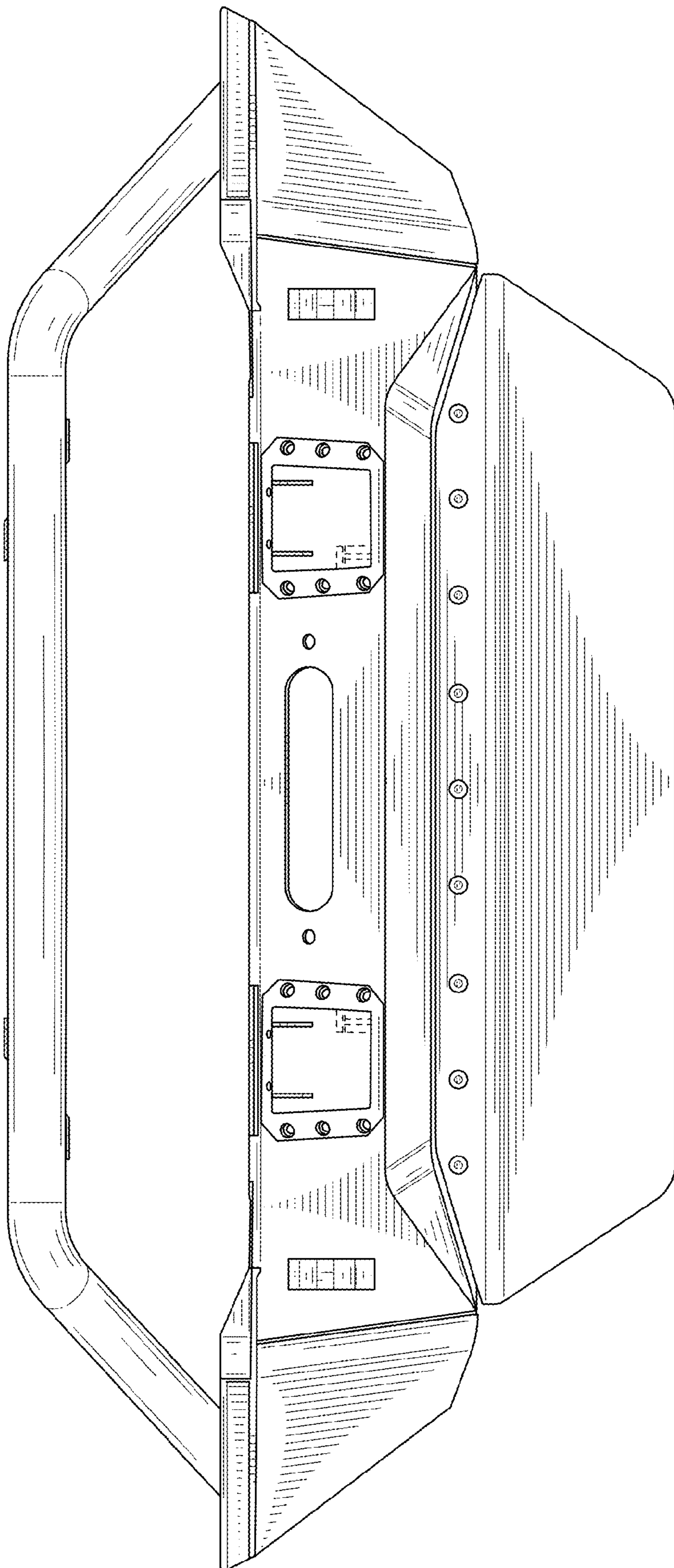


FIG. 3

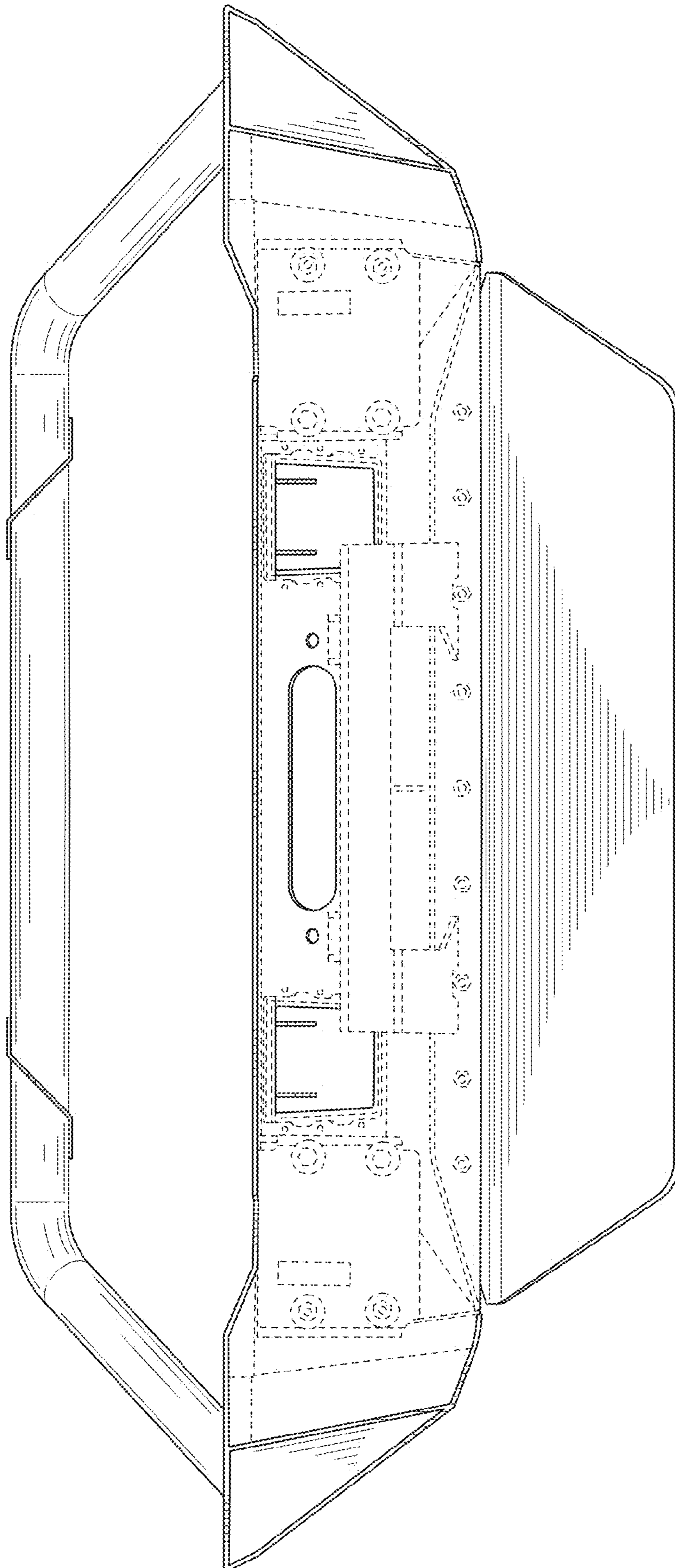


FIG. 4

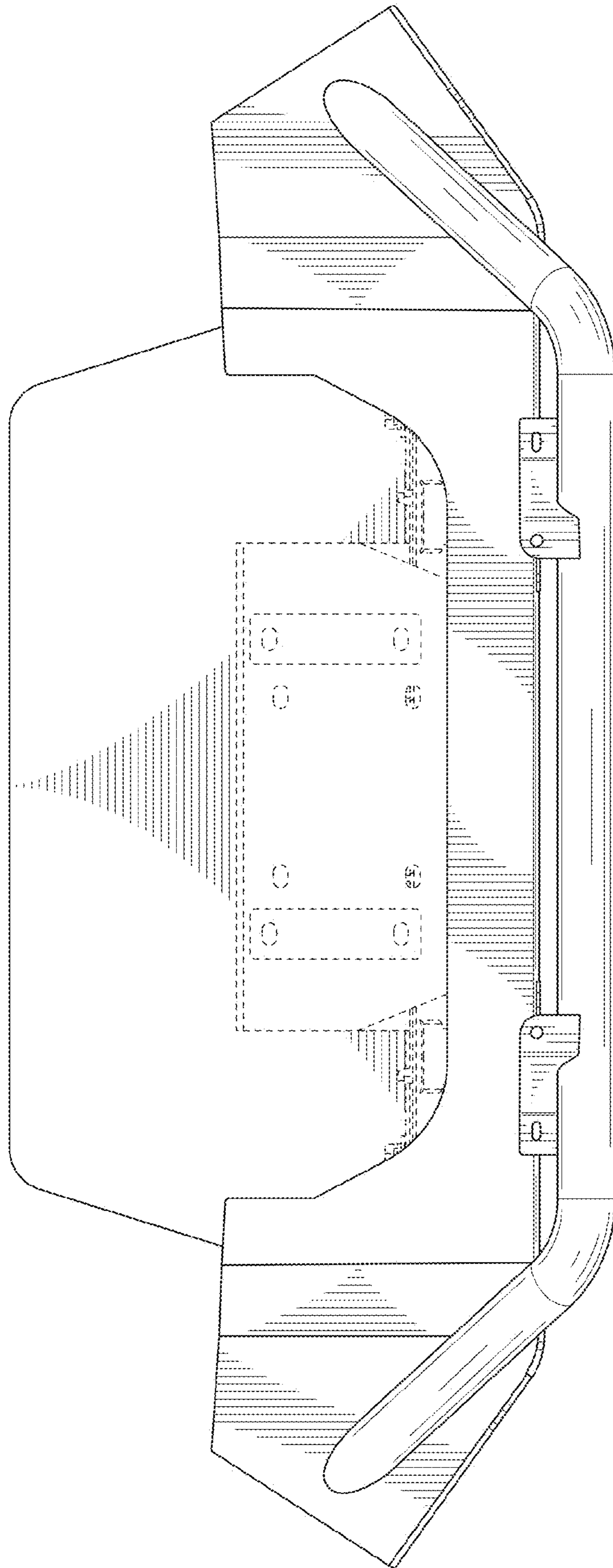


FIG. 5

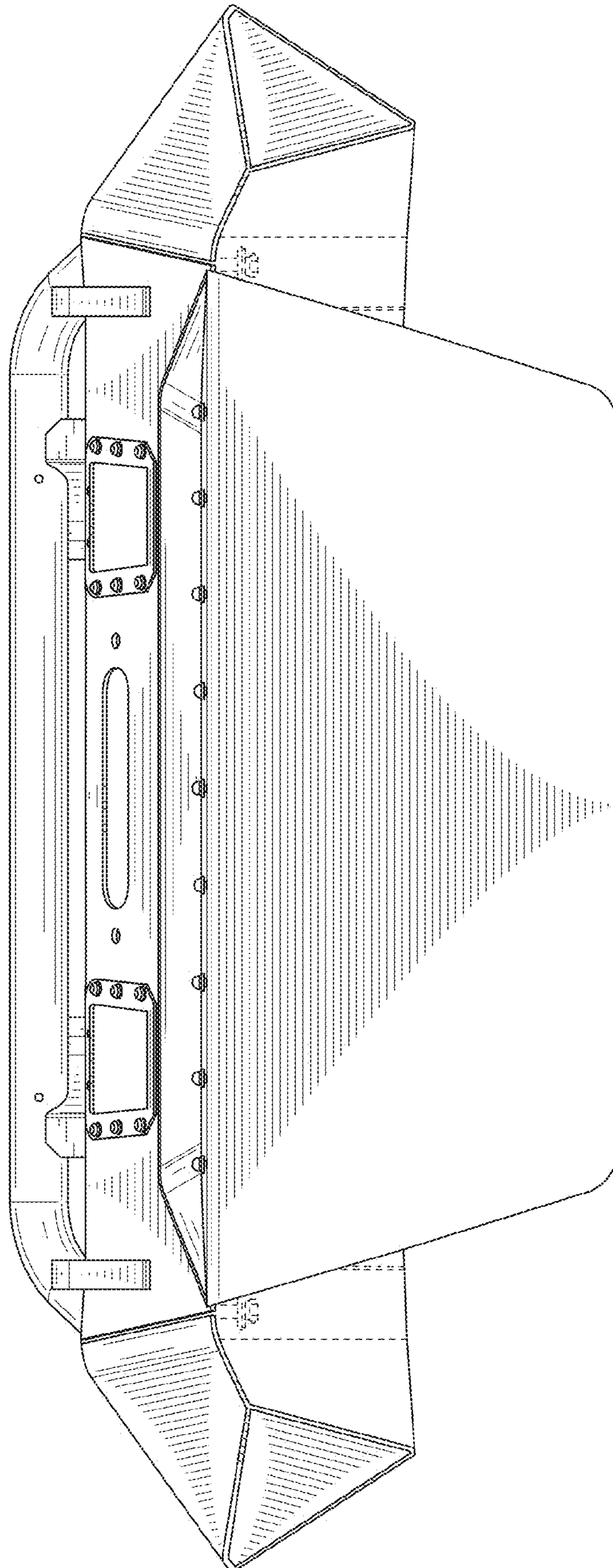


FIG. 6

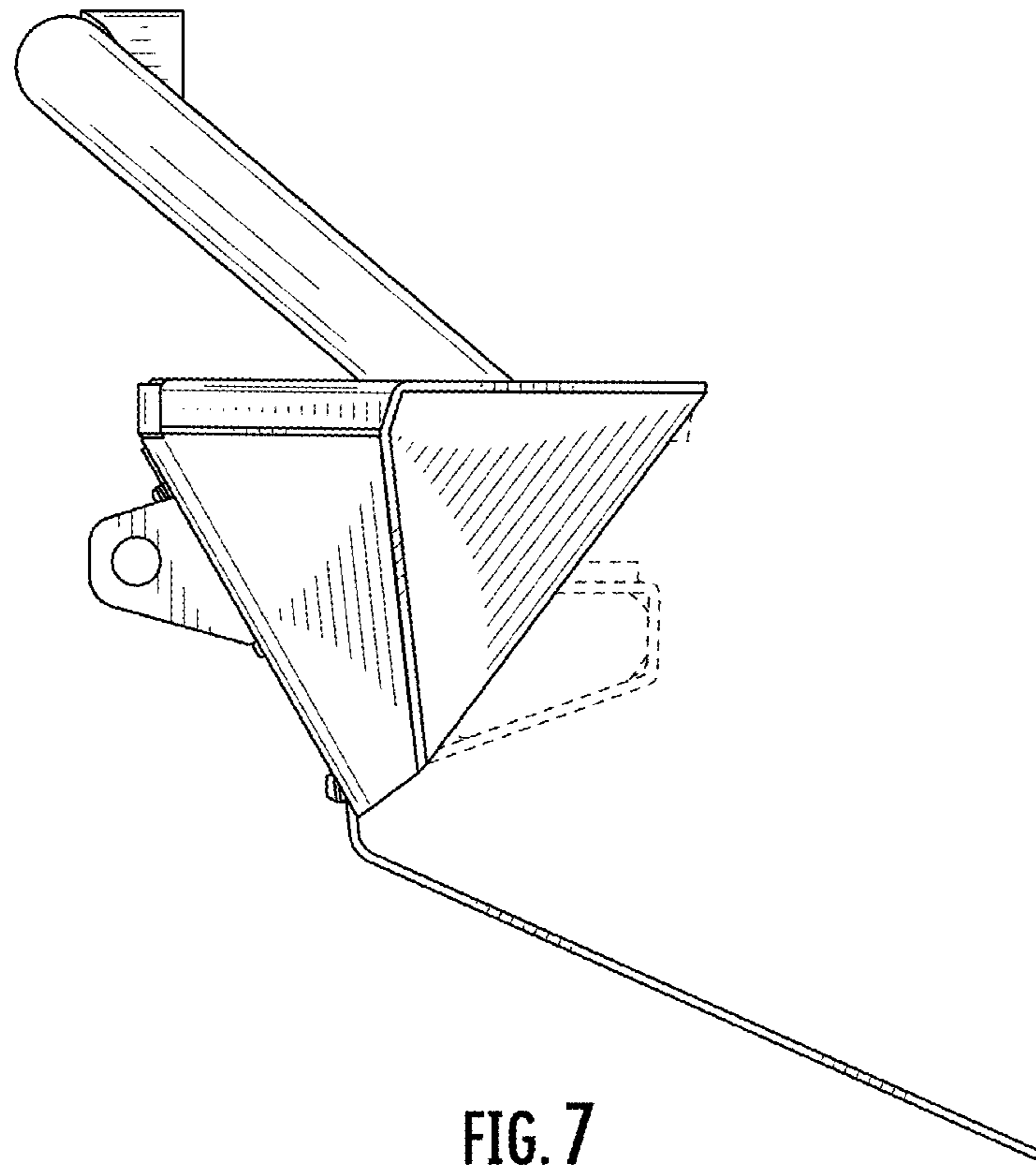


FIG. 7

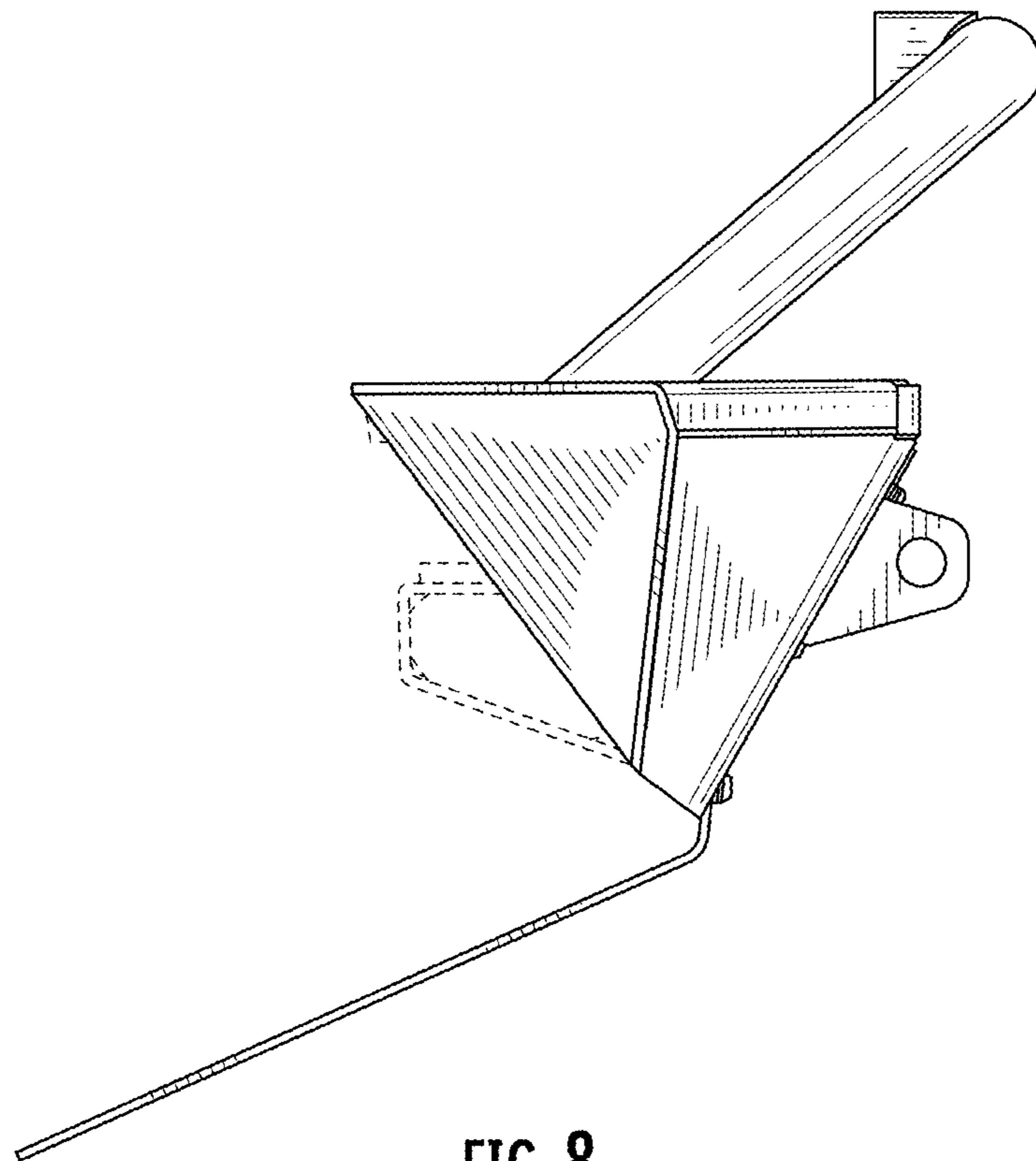


FIG. 8

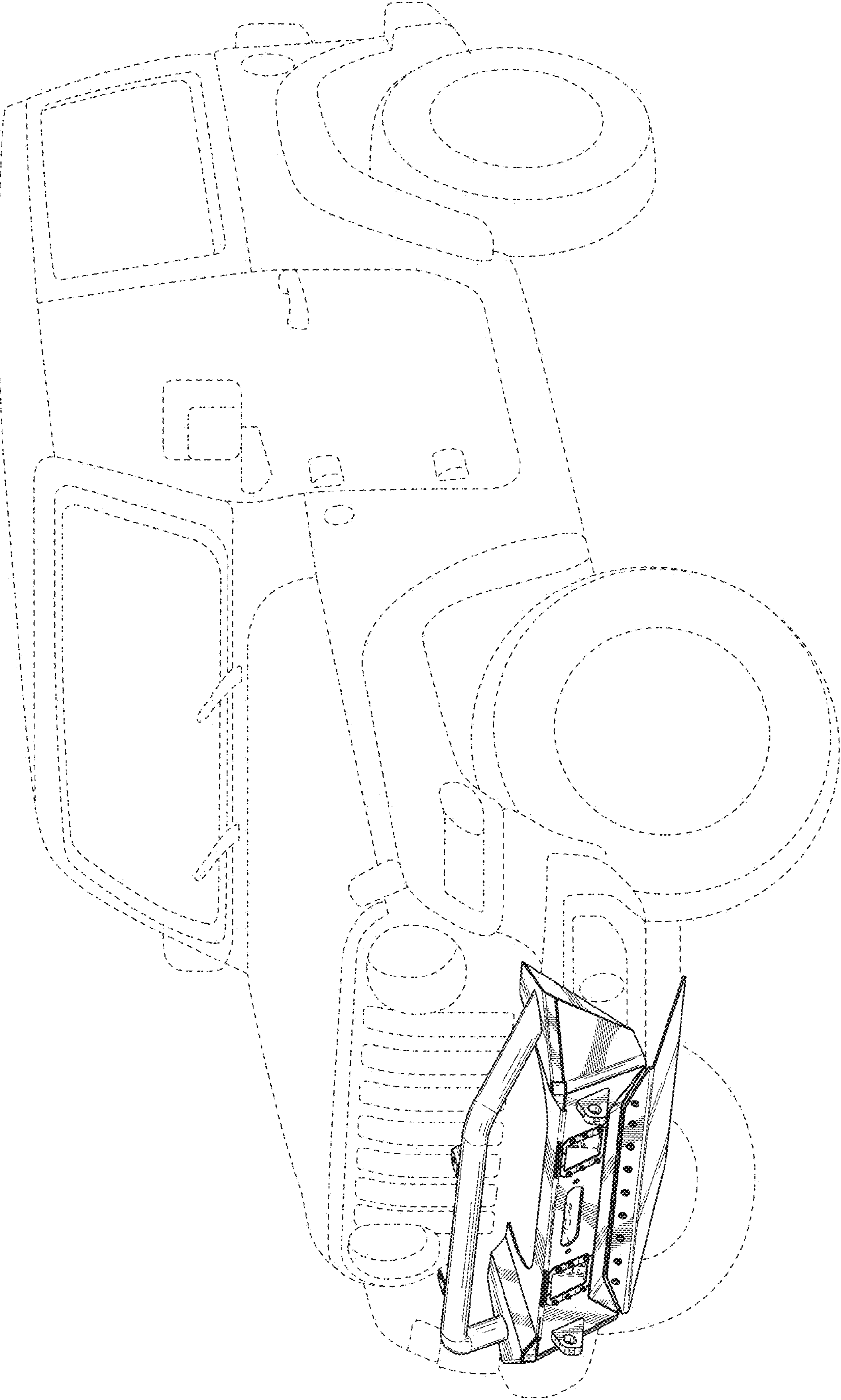


FIG. 9