



US00D880377S

(12) **United States Design Patent**
Spencer et al.

(10) **Patent No.:** **US D880,377 S**

(45) **Date of Patent:** **** Apr. 7, 2020**

(54) **HITCH CLAMP WITH SUPPORT ARMS**

(71) Applicant: **Cruiser Accessories, LLC**, Monument, CO (US)

(72) Inventors: **Todd R. Spencer**, Monument, CO (US); **Eldon L. Goates**, Monument, CO (US); **M. Hunter Basenberg, Jr.**, Monument, CO (US)

(73) Assignee: **Cruiser Accessories, LLC**, Monument, CO (US)

(**) Term: **15 Years**

(21) Appl. No.: **29/650,193**

(22) Filed: **Jun. 5, 2018**

(51) **LOC (12) Cl.** **12-16**

(52) **U.S. Cl.**
USPC **D12/162**

(58) **Field of Classification Search**
USPC D12/159, 160-162, 203, 223, 400;
280/416.1, 511, 514; D8/349, 363, 373,
D8/382, 394, 396; D32/35, 58;
D6/317-319, 513
CPC ... B60D 1/48; B60D 1/28; B60D 1/04; B60D
1/06; B60D 1/065; B60D 1/64; B60D
1/60

See application file for complete search history.

(56) **References Cited**

U.S. PATENT DOCUMENTS

D395,026 S *	6/1998	McCoy	D12/162
D414,732 S *	10/1999	Redmond	D12/162
D808,889 S *	1/2018	Puchkoff	D12/406
D849,610 S *	5/2019	Wyers	D12/162

* cited by examiner

Primary Examiner — Abraham Bahta

(74) *Attorney, Agent, or Firm* — Elevated IP, LLC

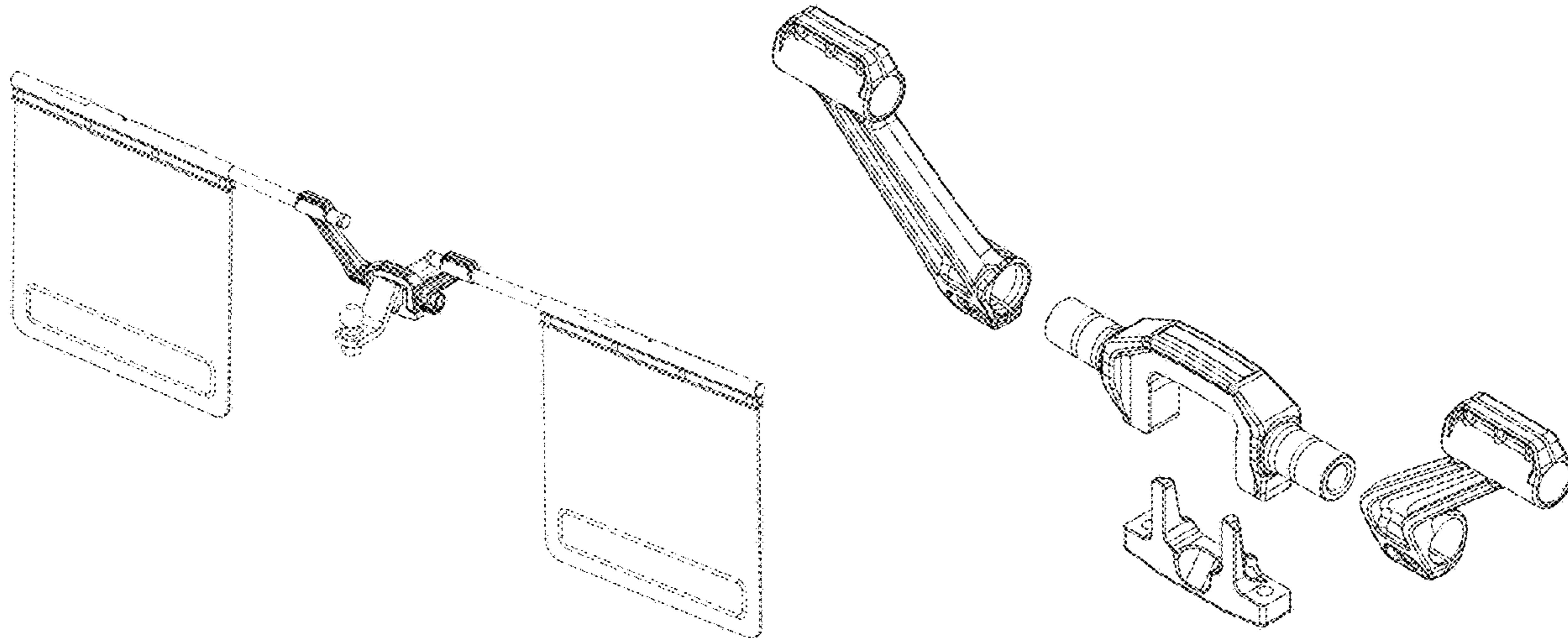
(57) **CLAIM**

The ornamental design for a hitch clamp with support arms, as shown and described.

DESCRIPTION

FIG. 1 is a top perspective view of an ornamental design for a hitch clamp with support arms;
 FIG. 2 is an exploded view of a first embodiment of an ornamental design for a hitch clamp with support arms;
 FIG. 3 is a front view of the first embodiment;
 FIG. 4 is a back view of the first embodiment;
 FIG. 5 is a top view of the first embodiment;
 FIG. 6 is a bottom view of the first embodiment;
 FIG. 7 is a right side view of the first embodiment;
 FIG. 8 is a left side view of the first embodiment;
 FIG. 9 is an exploded view of a second embodiment of an ornamental design for a hitch clamp with support arms;
 FIG. 10 is a front view of the second embodiment;
 FIG. 11 is a back view of the second embodiment;
 FIG. 12 is a top view of the second embodiment;
 FIG. 13 is a bottom view of the second embodiment;
 FIG. 14 is a right side view of the second embodiment;
 FIG. 15 is a left side view of the second embodiment;
 FIG. 16 is an exploded view of a third embodiment of an ornamental design for a hitch clamp with support arms;
 FIG. 17 is a front view of the third embodiment;
 FIG. 18 is a back view of the third embodiment;
 FIG. 19 is a top view of the third embodiment;
 FIG. 20 is a bottom view of the third embodiment;
 FIG. 21 is a right side view of the third embodiment; and,
 FIG. 22 is a left side view of the third embodiment.
 The broken lines are for purposes of illustrating environmental structure and form no part of the claimed design.

1 Claim, 14 Drawing Sheets



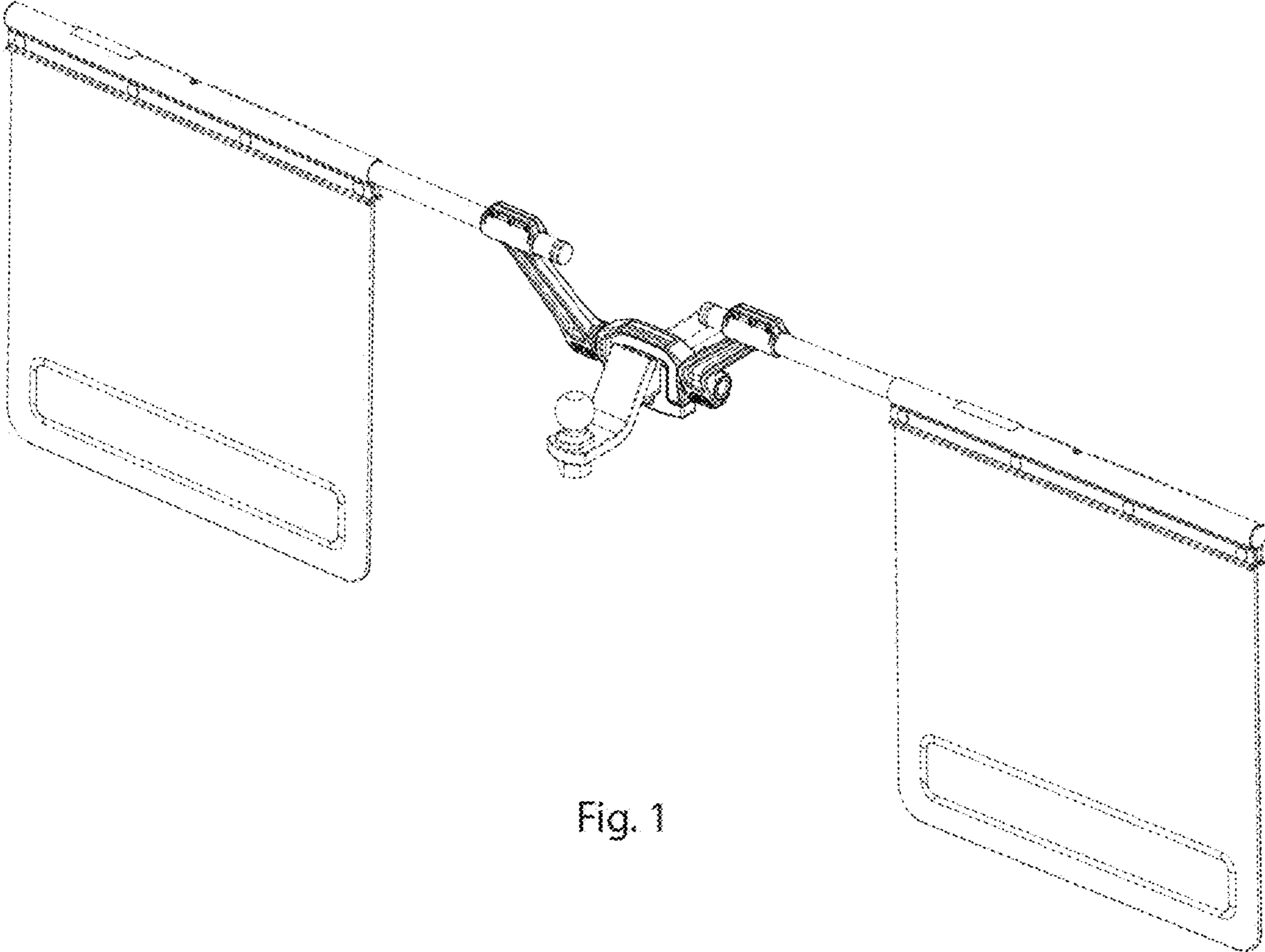


Fig. 1

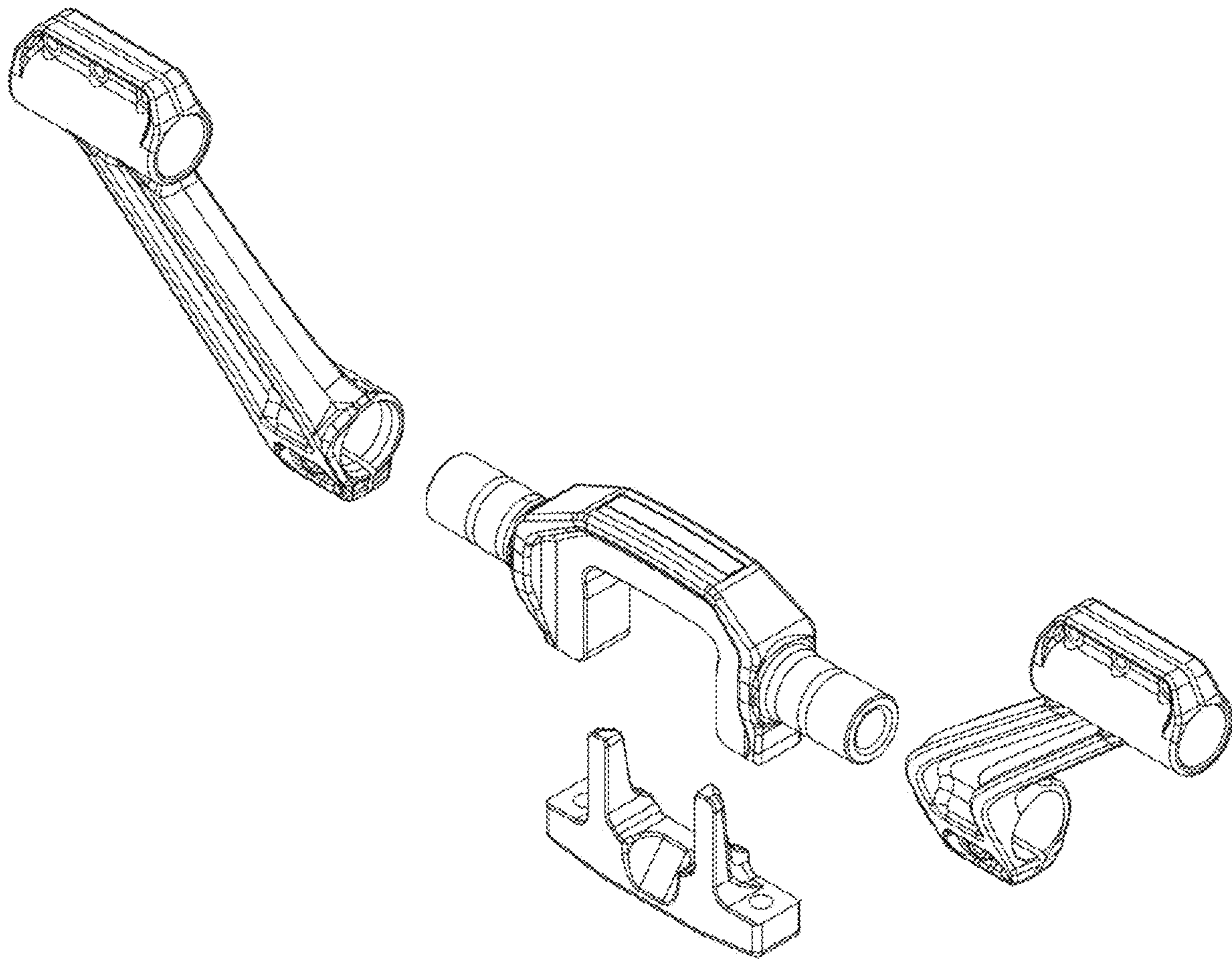


Fig. 2

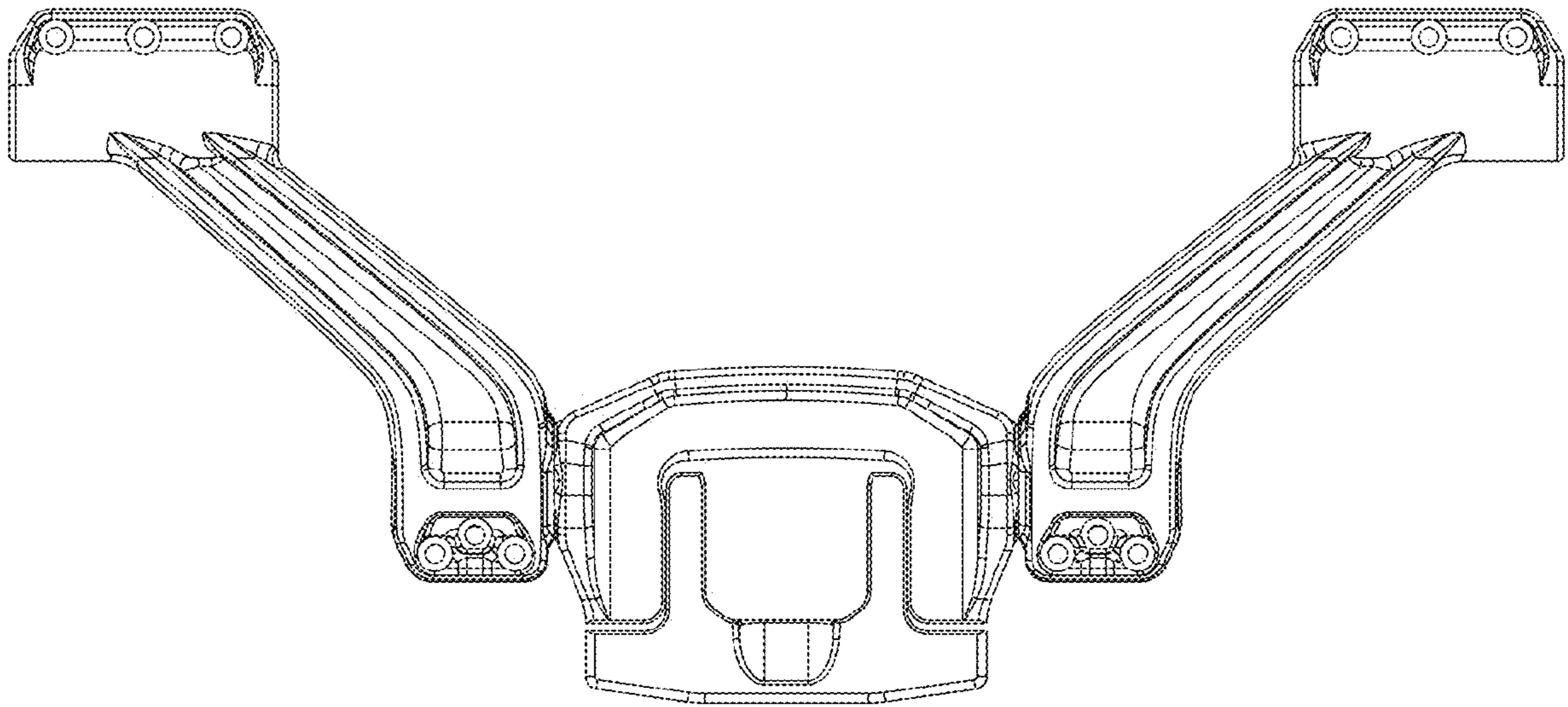


Fig. 3

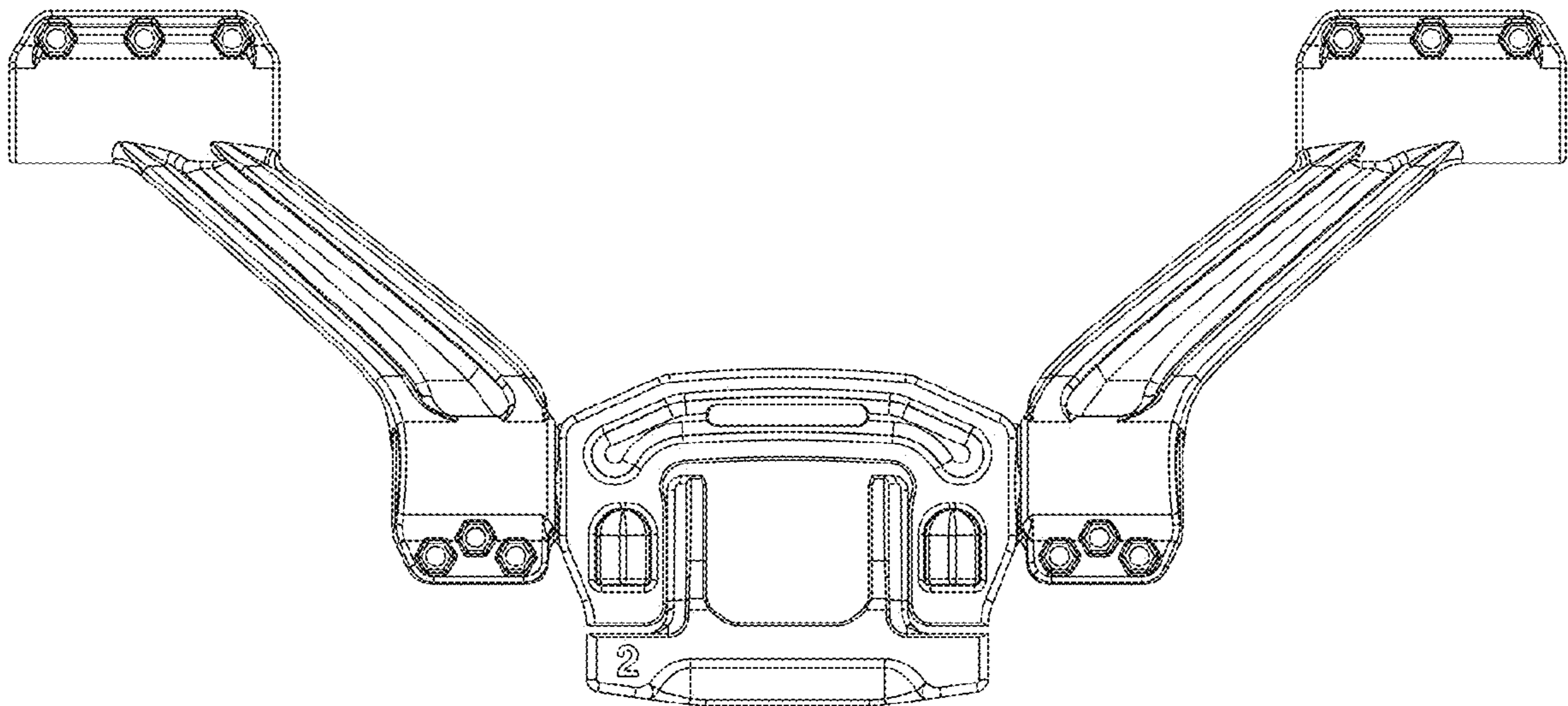


Fig. 4

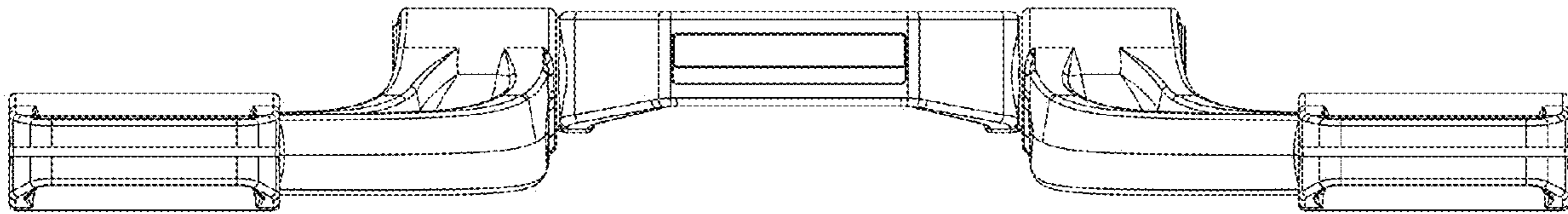


Fig. 5

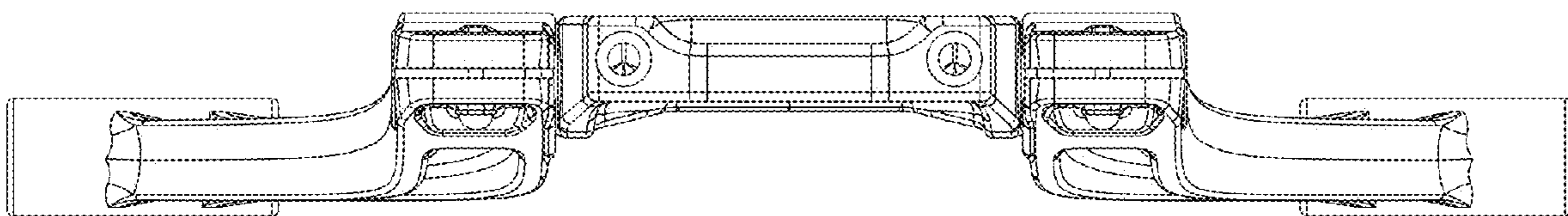


Fig. 6

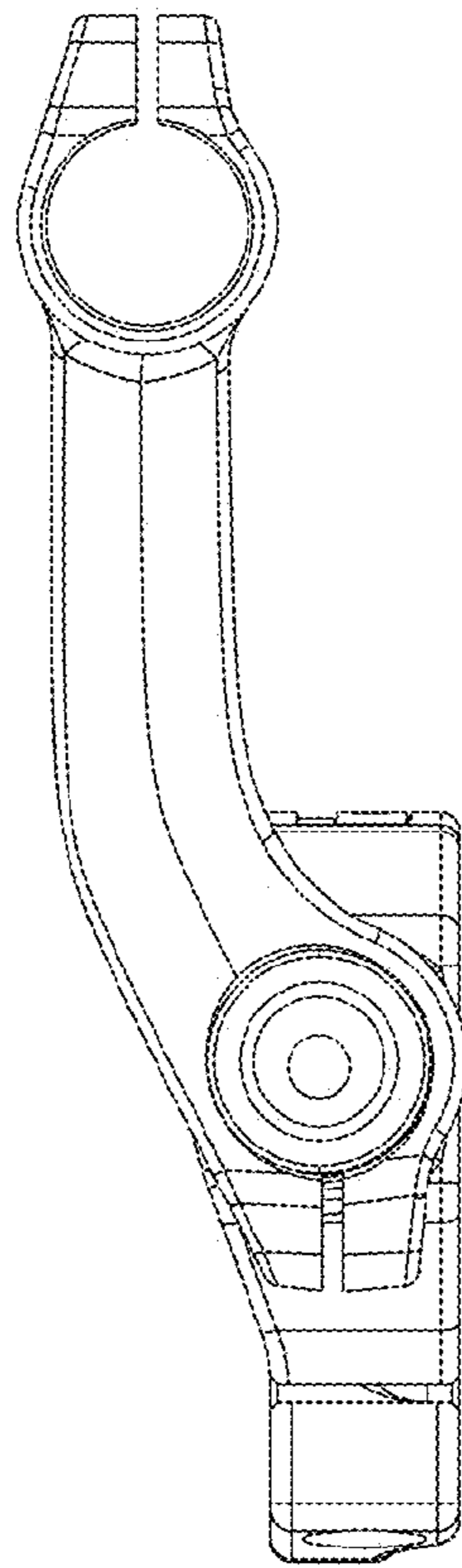


Fig. 7

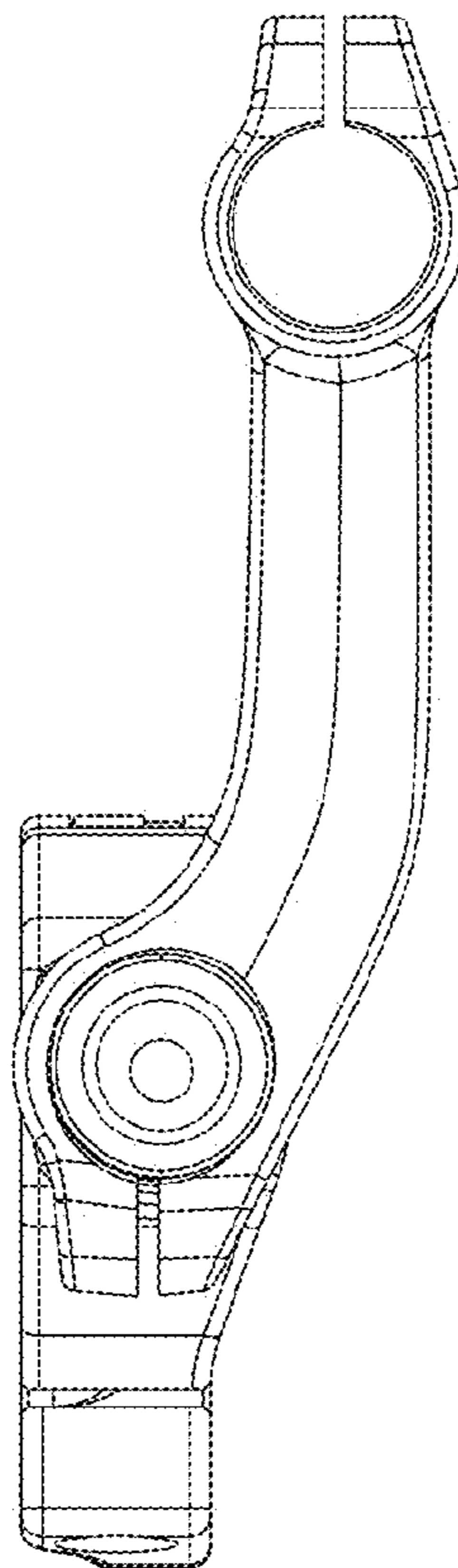


Fig. 8

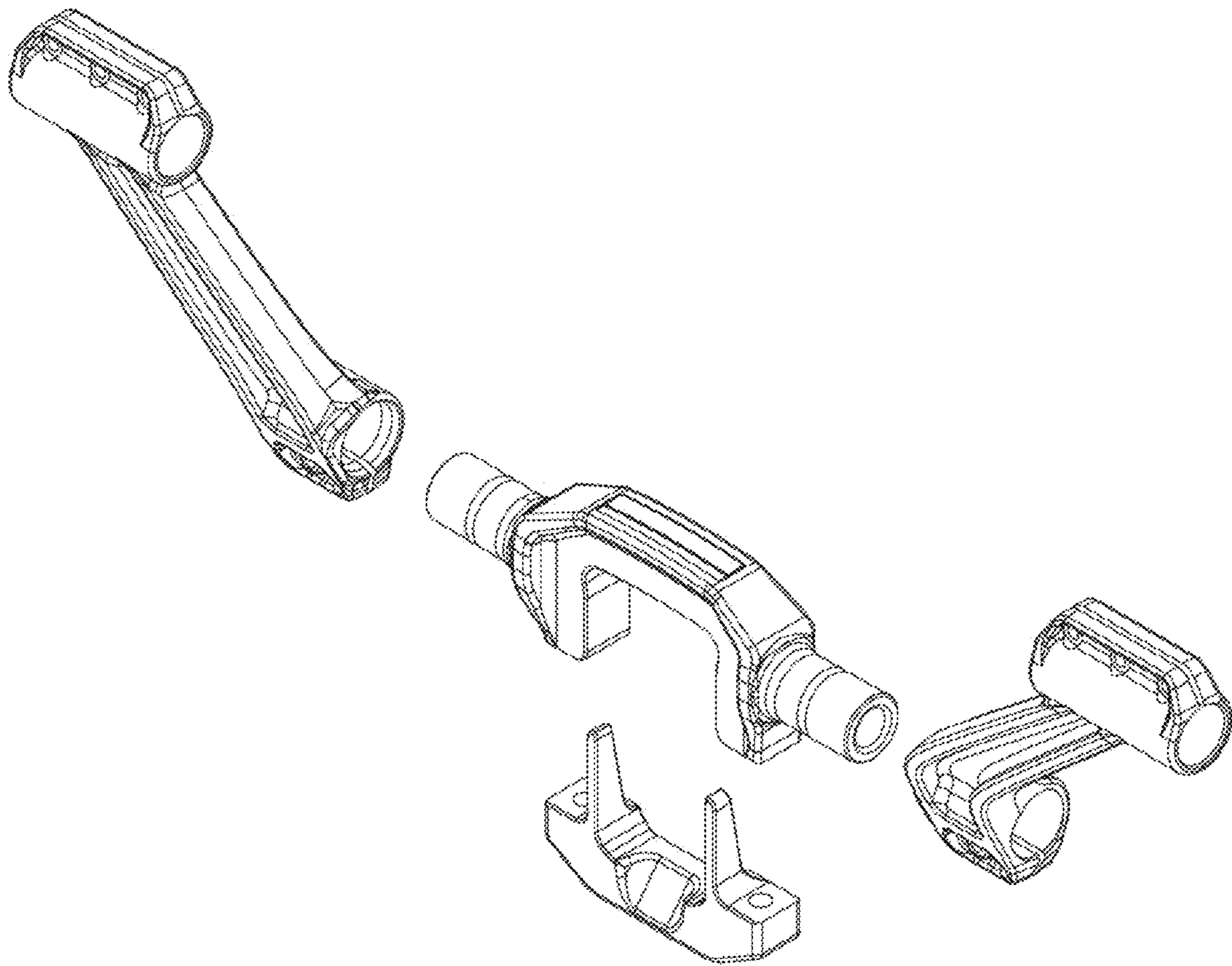


Fig. 9

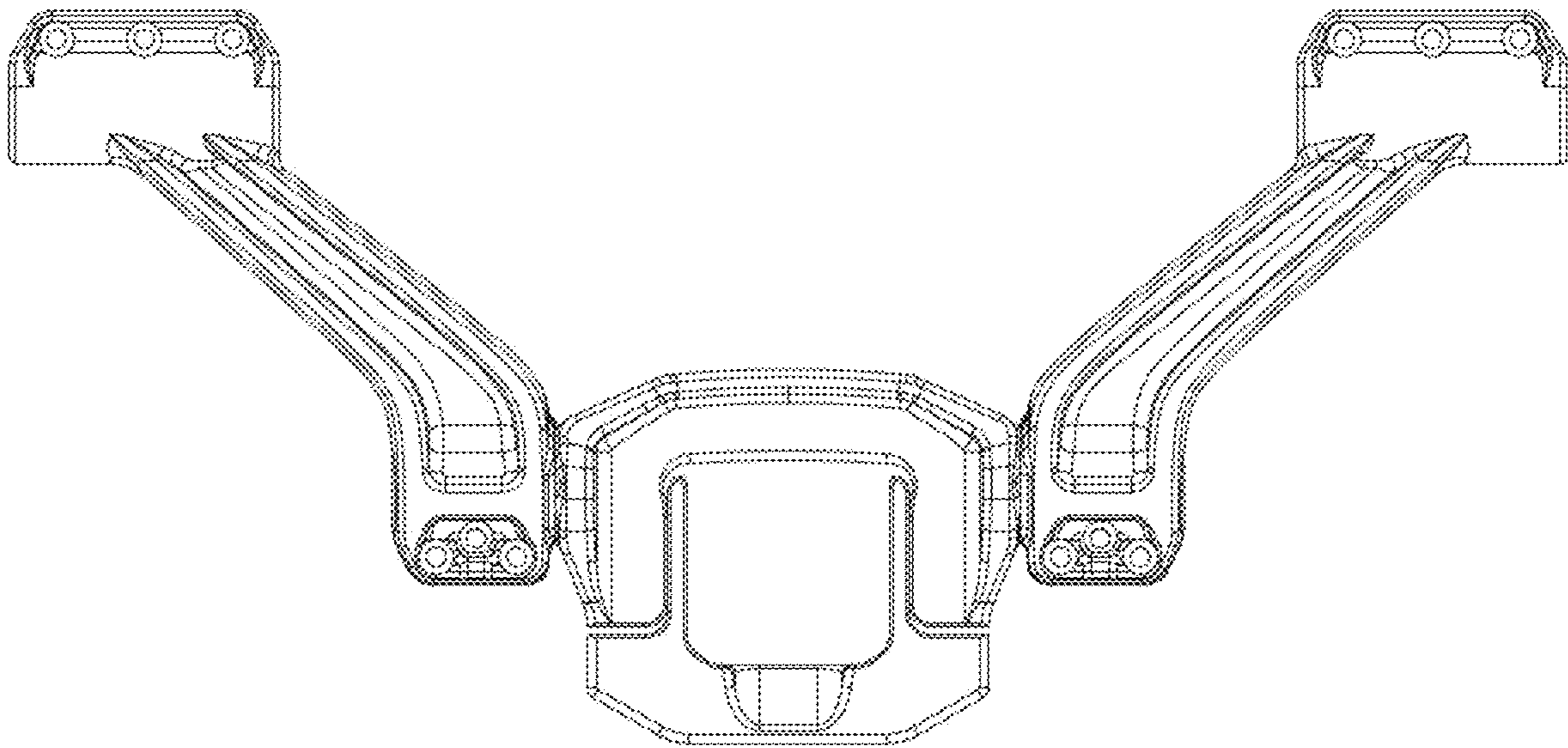


Fig. 10

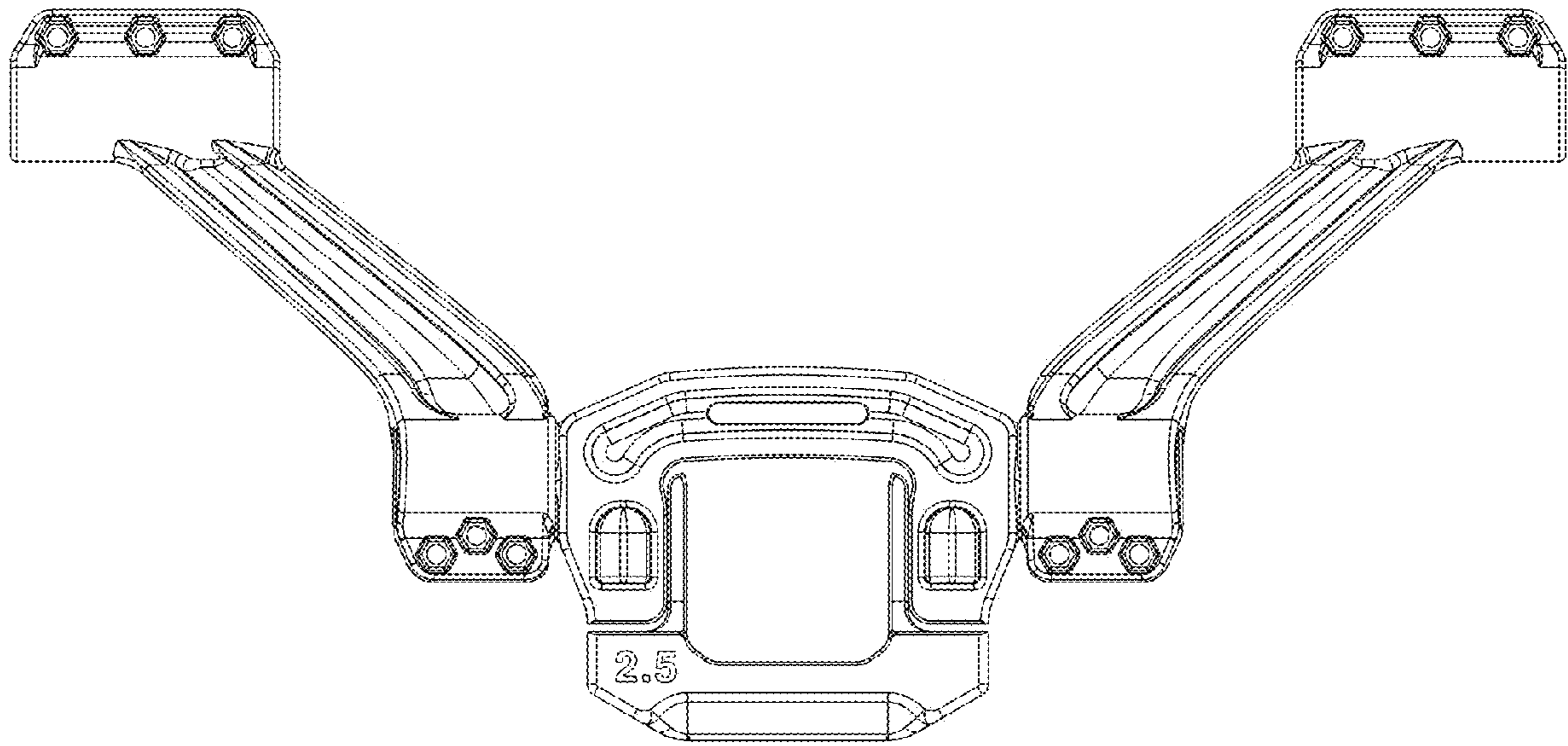


Fig. 11

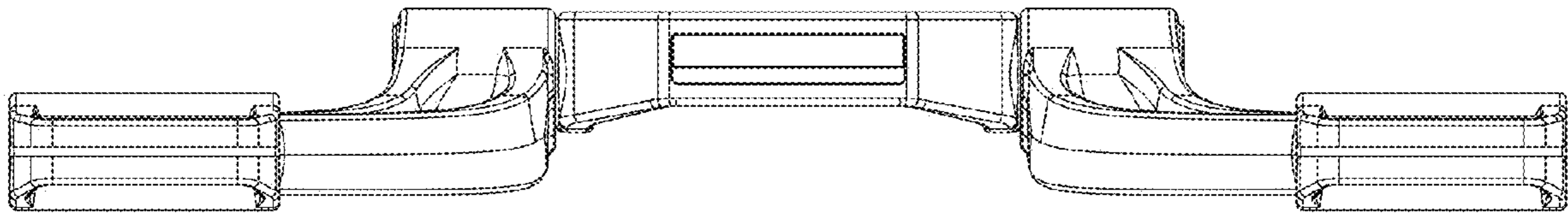


Fig. 12

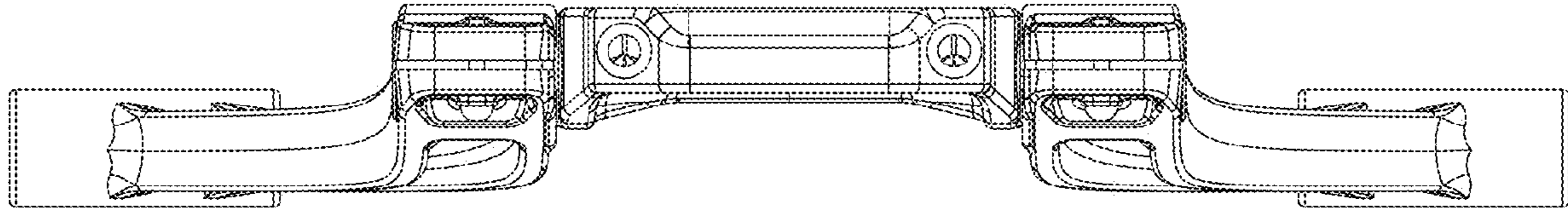


Fig. 13

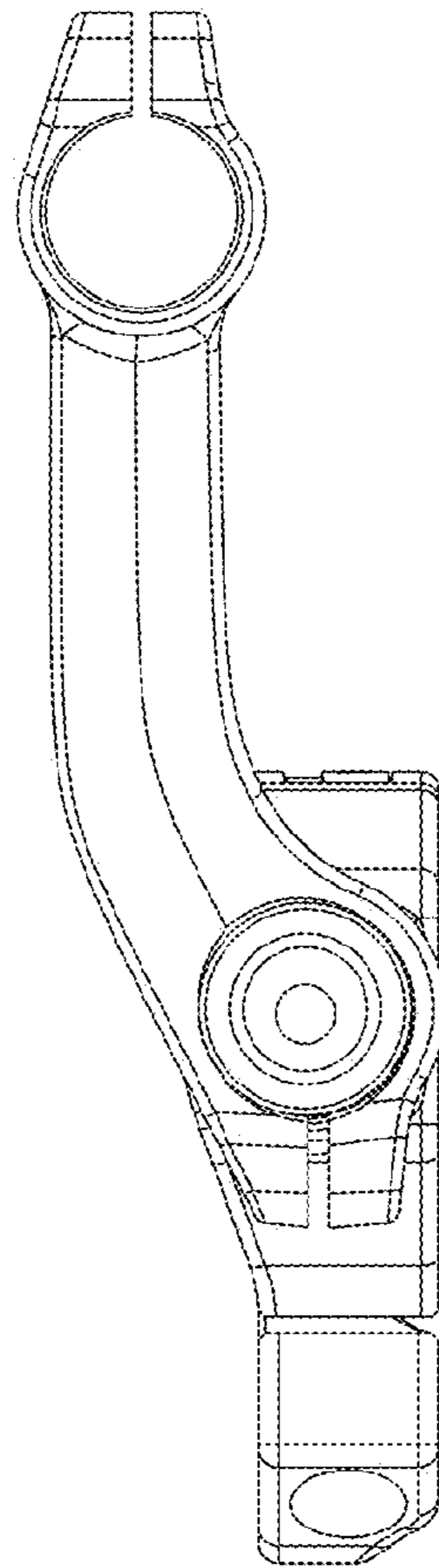


Fig. 14

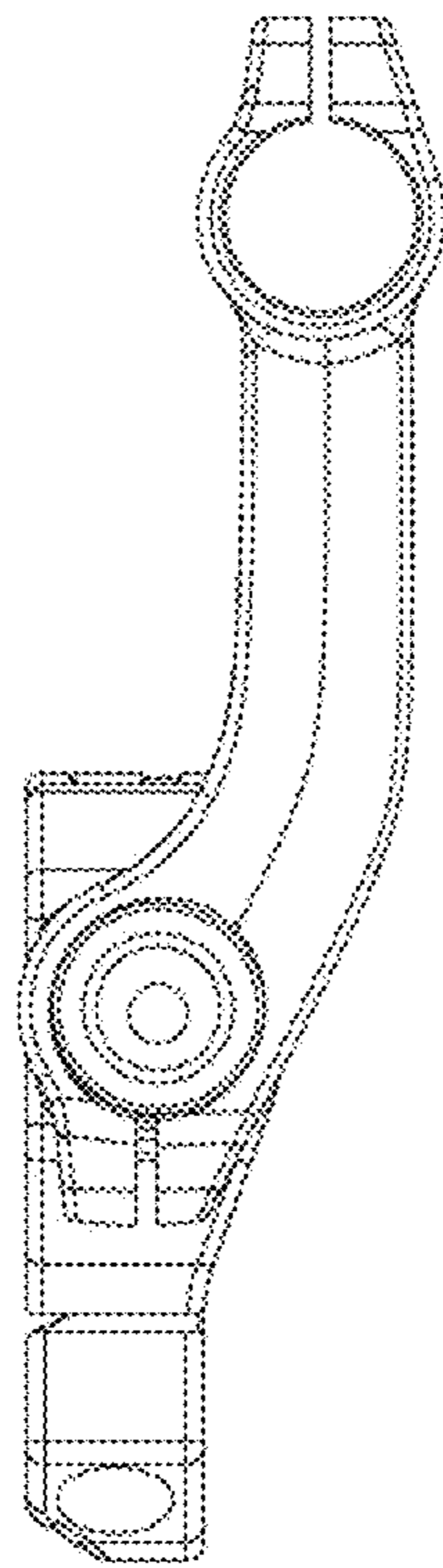


Fig. 15

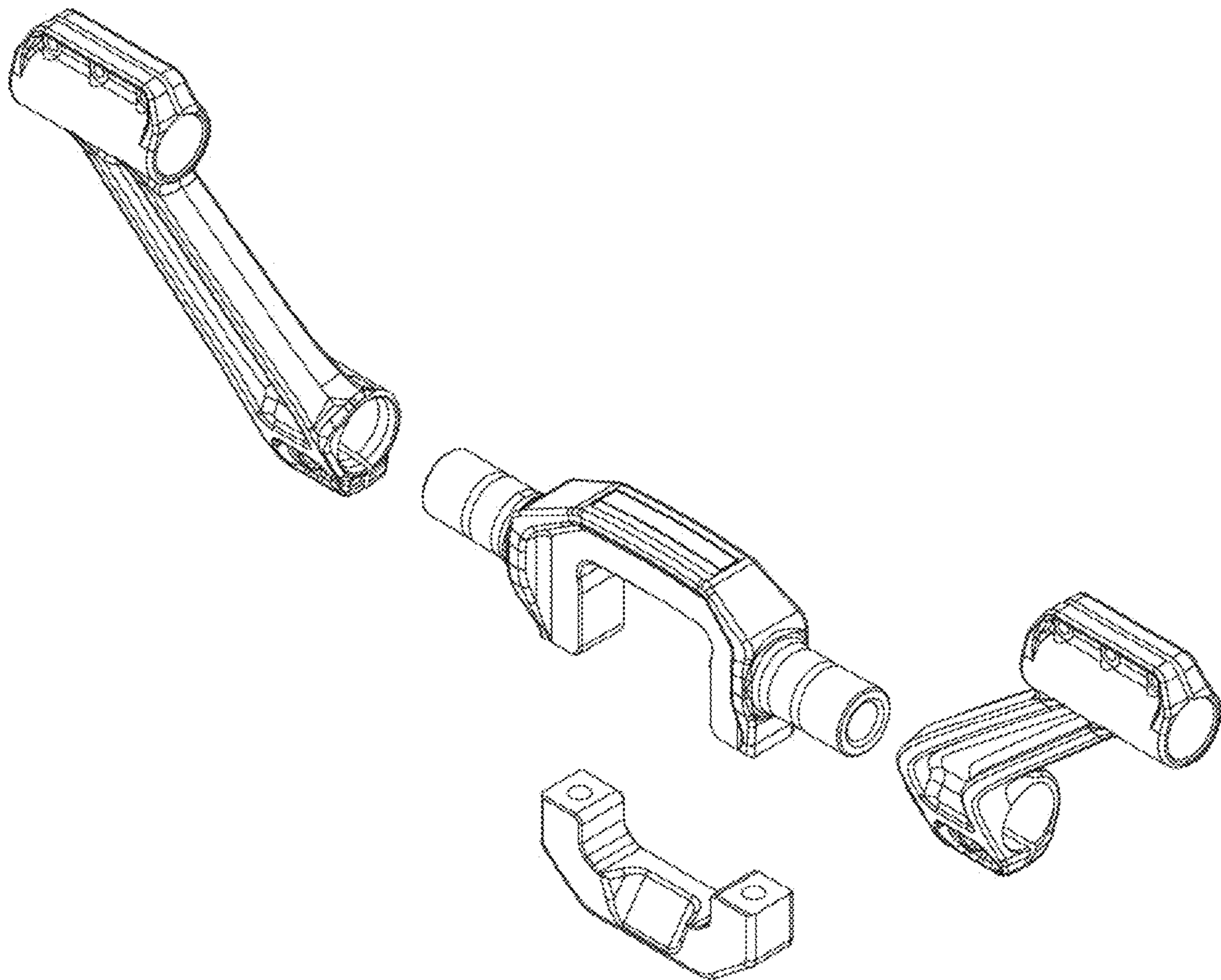


Fig. 16

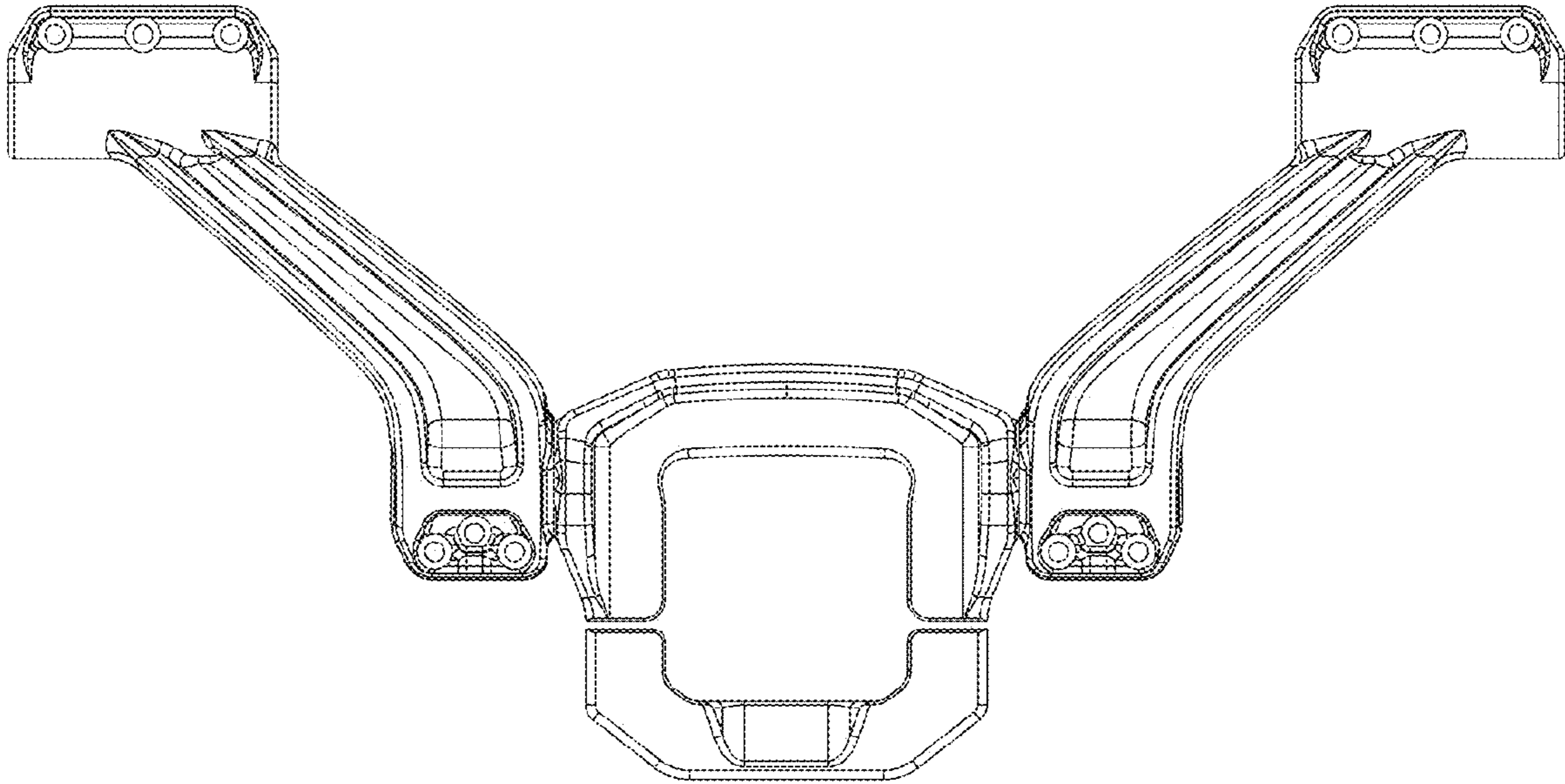


Fig. 17

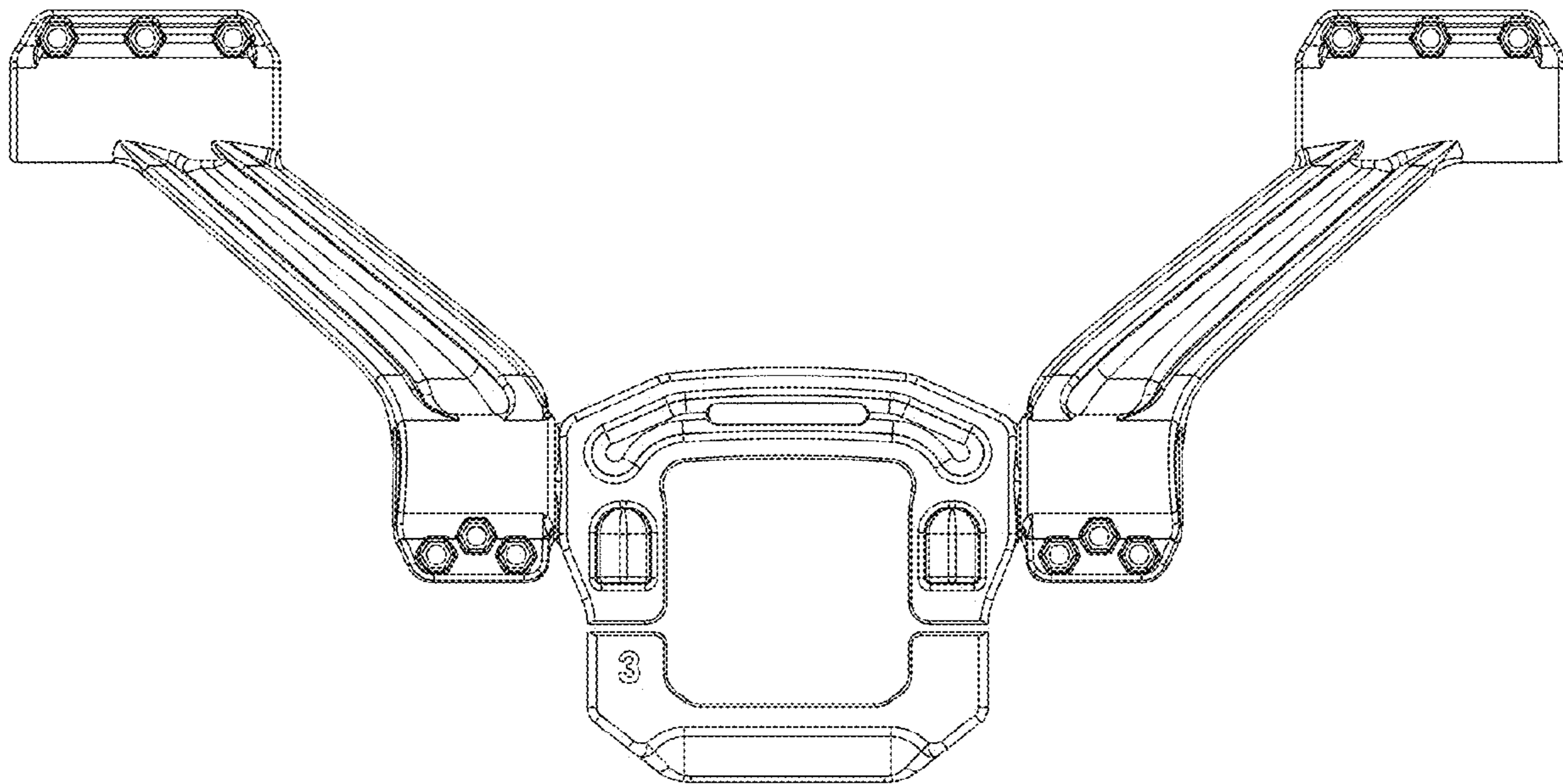


Fig. 18

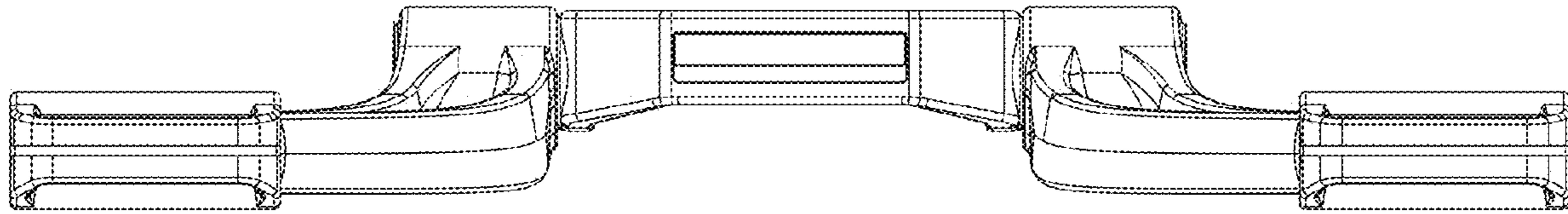


Fig. 19

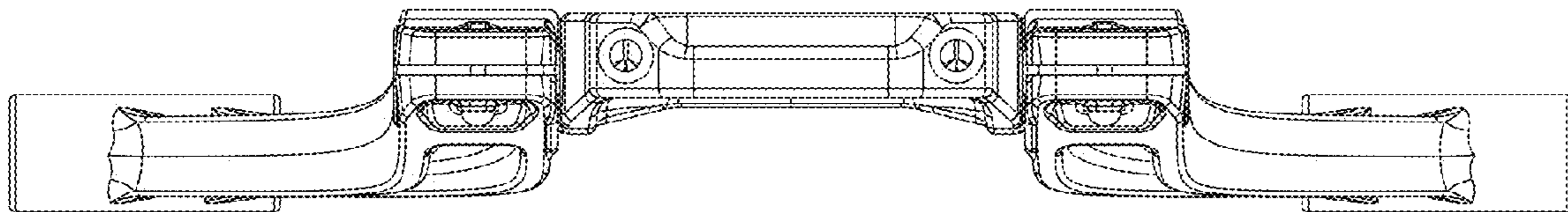


Fig. 20

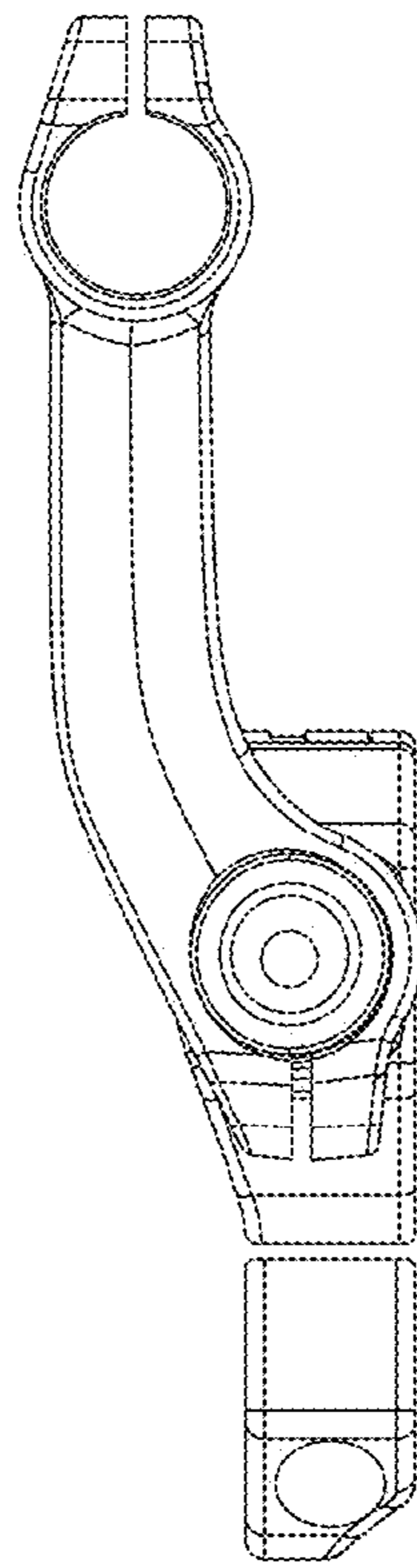


Fig. 21

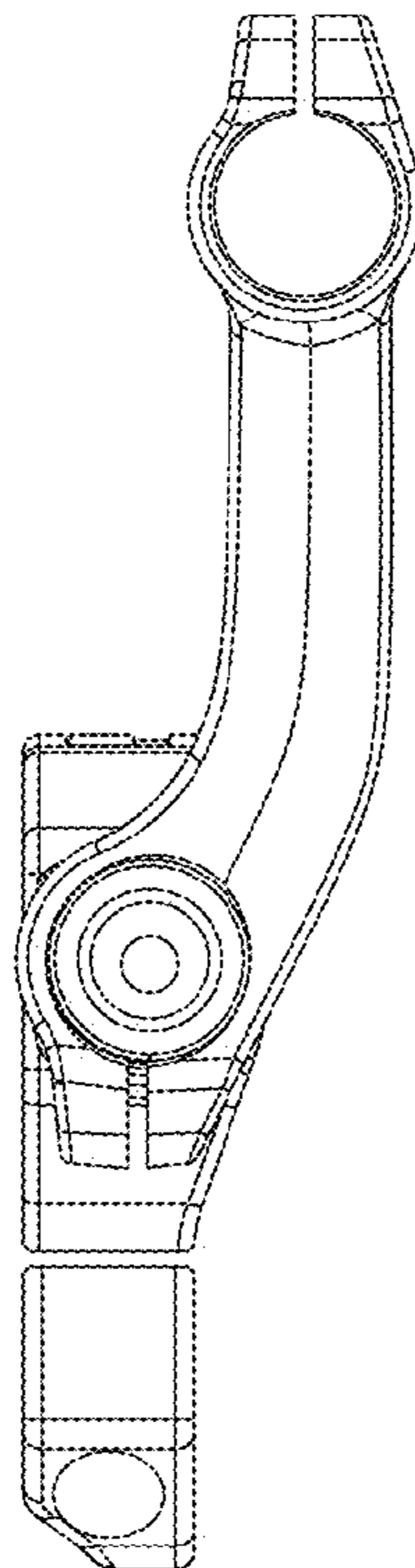


Fig. 22