



US00D880374S

(12) **United States Design Patent**
McGaughy

(10) **Patent No.:** **US D880,374 S**

(45) **Date of Patent:** **** Apr. 7, 2020**

(54) **C-NOTCH ASSEMBLY**

(71) Applicant: **Steve McGaughy**, Fresno, CA (US)

(72) Inventor: **Steve McGaughy**, Fresno, CA (US)

(**) Term: **15 Years**

(21) Appl. No.: **29/666,768**

(22) Filed: **Oct. 16, 2018**

(51) **LOC (12) Cl.** **12-16**

(52) **U.S. Cl.**
USPC **D12/159**

(58) **Field of Classification Search**
USPC D12/159-160
CPC B62D 21/02; B60G 2204/43065; B60G
2204/44; B60G 11/28; B60G 13/003
See application file for complete search history.

(56) **References Cited**

U.S. PATENT DOCUMENTS

3,279,815	A *	10/1966	Hutchens	B61F 5/52 280/682
2004/0232646	A1 *	11/2004	Peters	B60G 5/02 280/124.132
2009/0173033	A1 *	7/2009	Baxter, Jr.	A63J 1/00 52/646
2016/0121929	A1 *	5/2016	Levin	B60G 7/02 296/193.02
2016/0263957	A1 *	9/2016	Legros	B60G 11/28

2018/0264904 A1* 9/2018 McCloud B60G 9/003

* cited by examiner

Primary Examiner — Michael A. Pratt

(74) *Attorney, Agent, or Firm* — Actuity IP, LLC; Nathan S. Cassell

(57) **CLAIM**

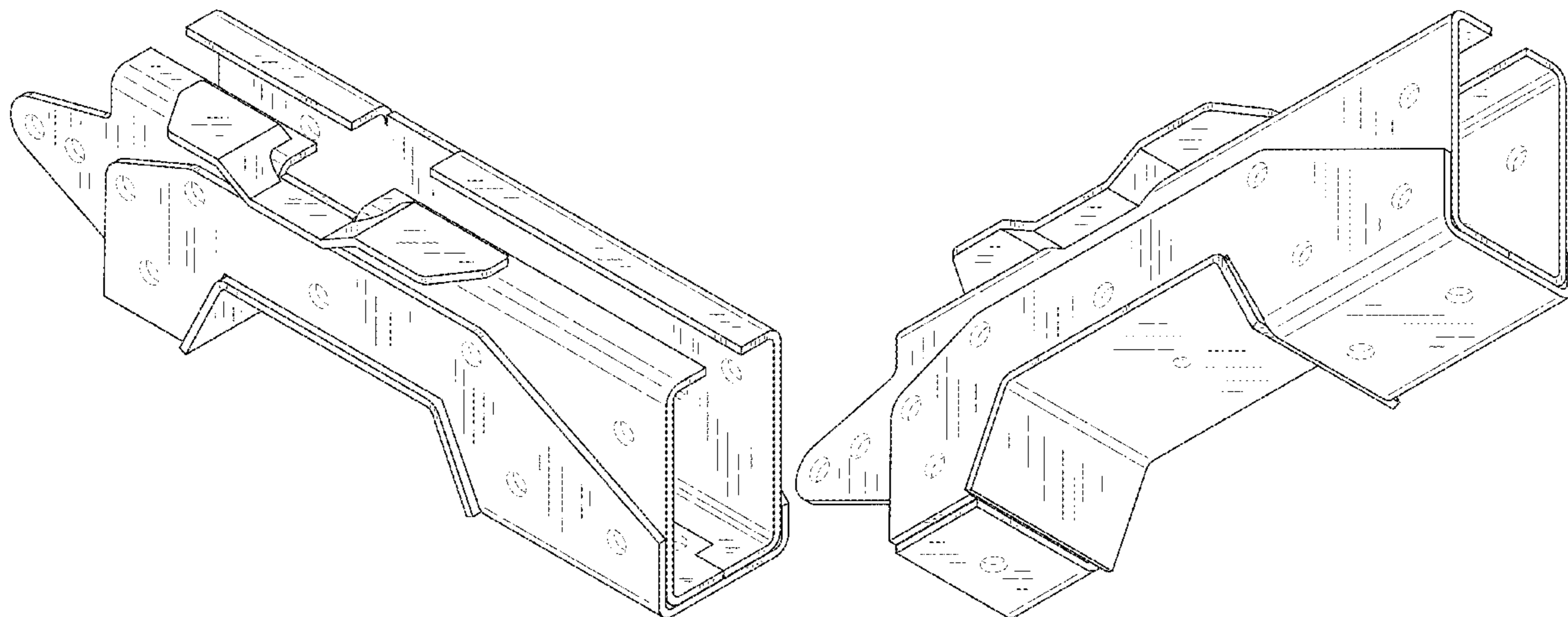
The ornamental design for a C-notch assembly, as shown and described.

DESCRIPTION

FIG. 1 is a top perspective view of a C-notch assembly showing my new design;
FIG. 2 is a bottom perspective view thereof;
FIG. 3 is a front elevational view thereof;
FIG. 4 is a rear elevational view thereof;
FIG. 5 is a right side elevational view thereof;
FIG. 6 is a left side elevational view thereof;
FIG. 7 is a top plan view thereof;
FIG. 8 is a bottom plan view thereof; and,
FIG. 9 is an exploded perspective view thereof.
The broken lines showing portions of the C-notch assembly form no part of the claimed design.

The claimed design encompasses multiple parts within the C-notch assembly, and the claim is directed to the collective appearance of the parts in the combination shown. The parts of the C-notch assembly are depicted separately in the exploded perspective view of FIG. 9 for clarity of illustration, and the bracket embracing the separate parts forms no part of the claimed design.

1 Claim, 8 Drawing Sheets



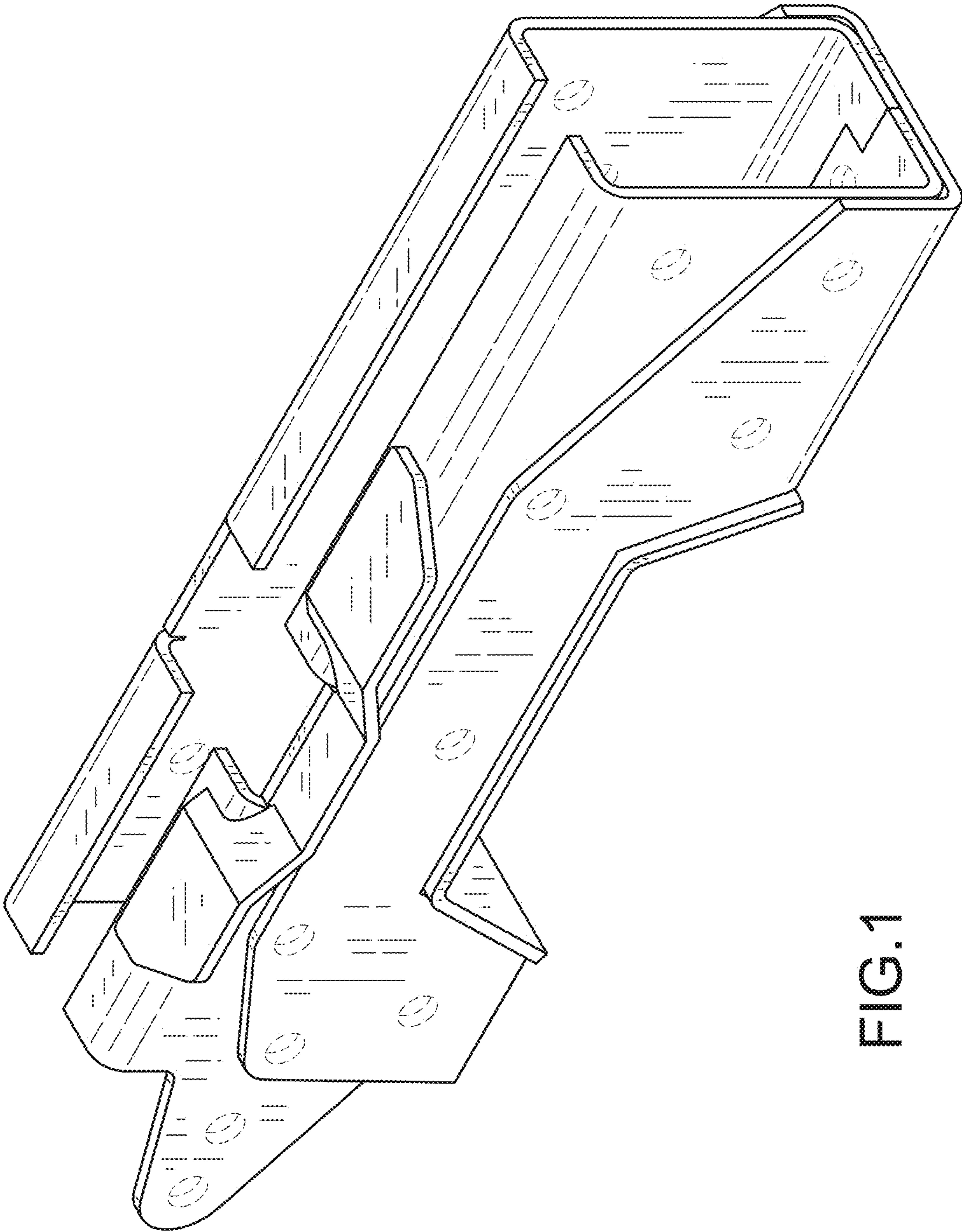


FIG.1

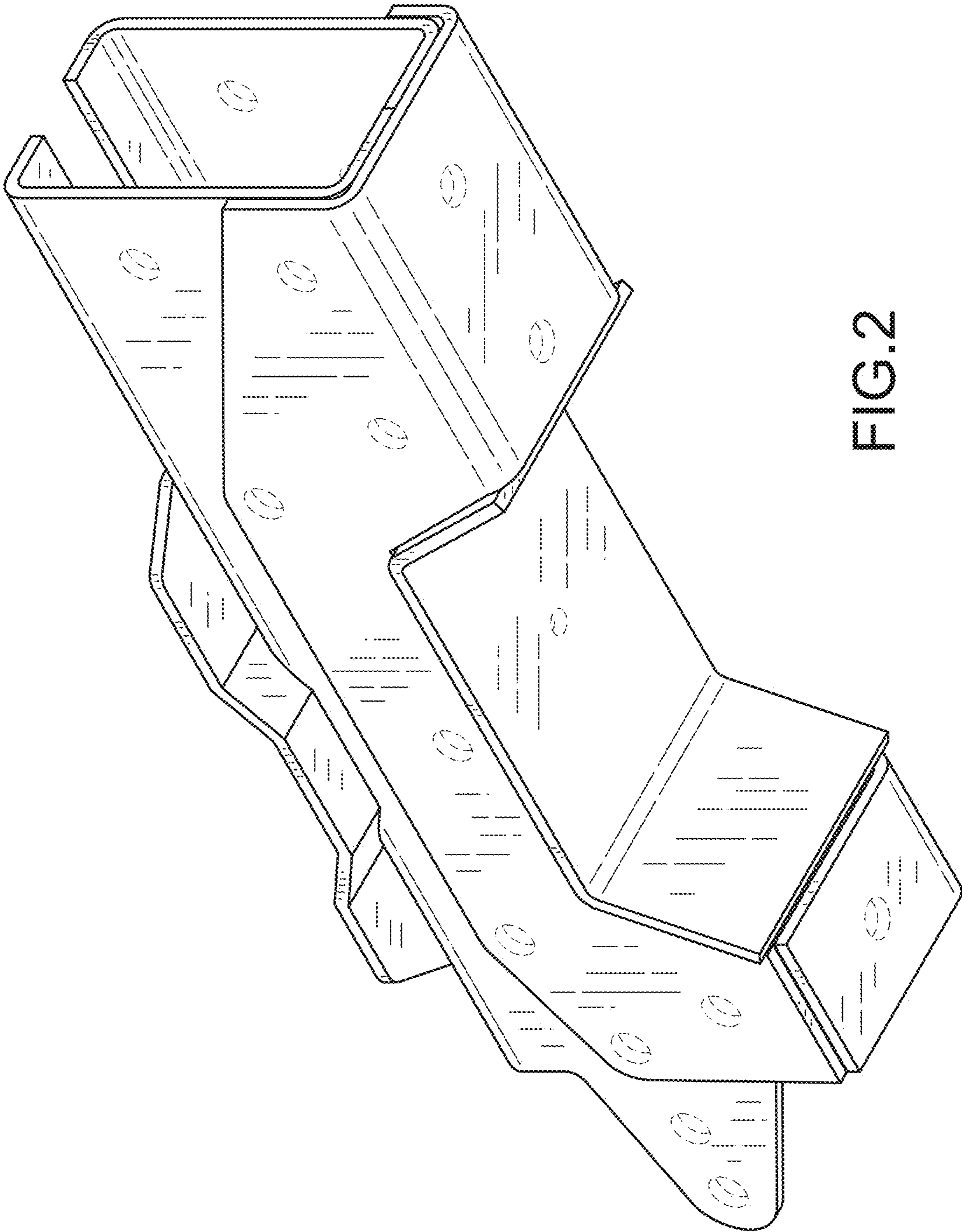


FIG.2

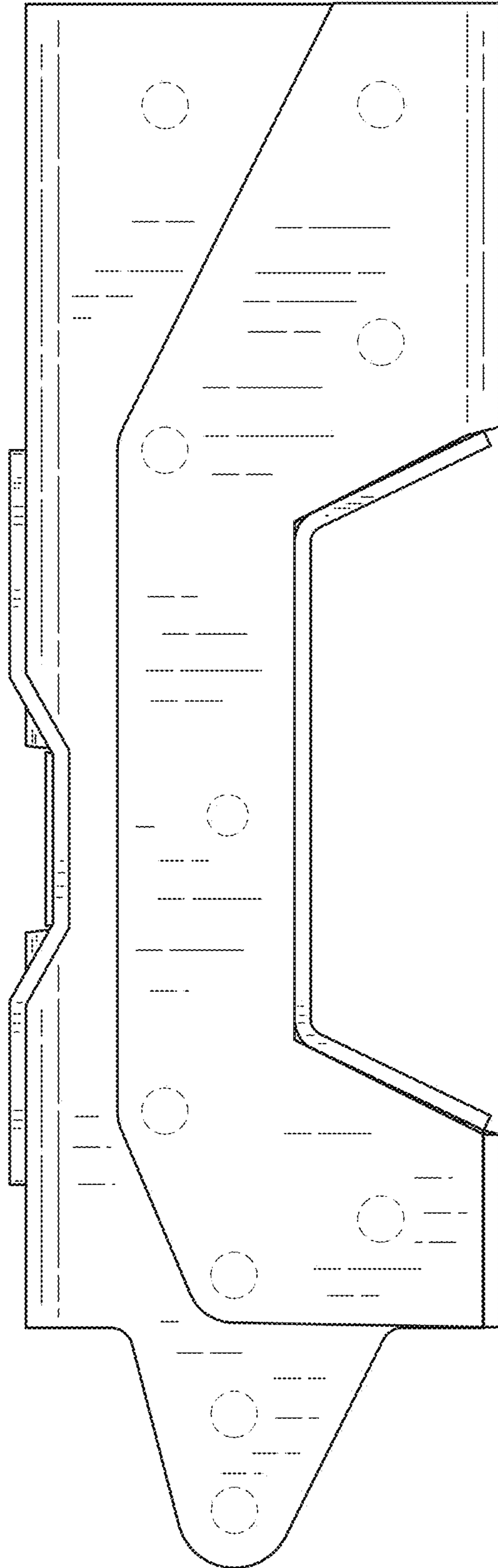


FIG.3

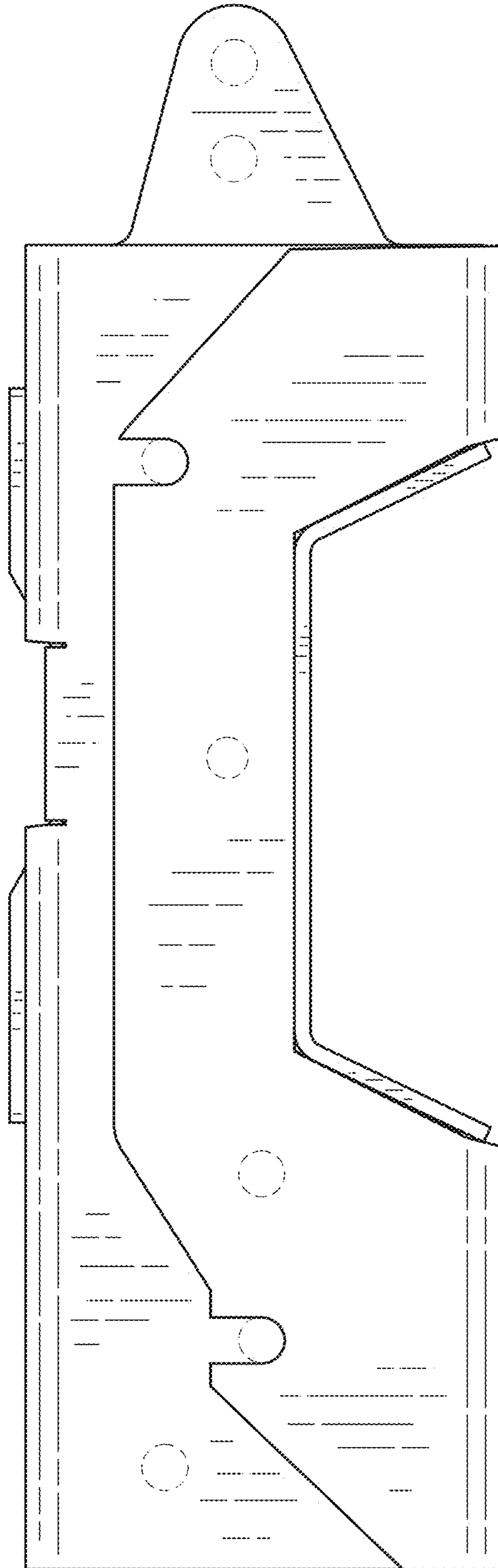


FIG. 4

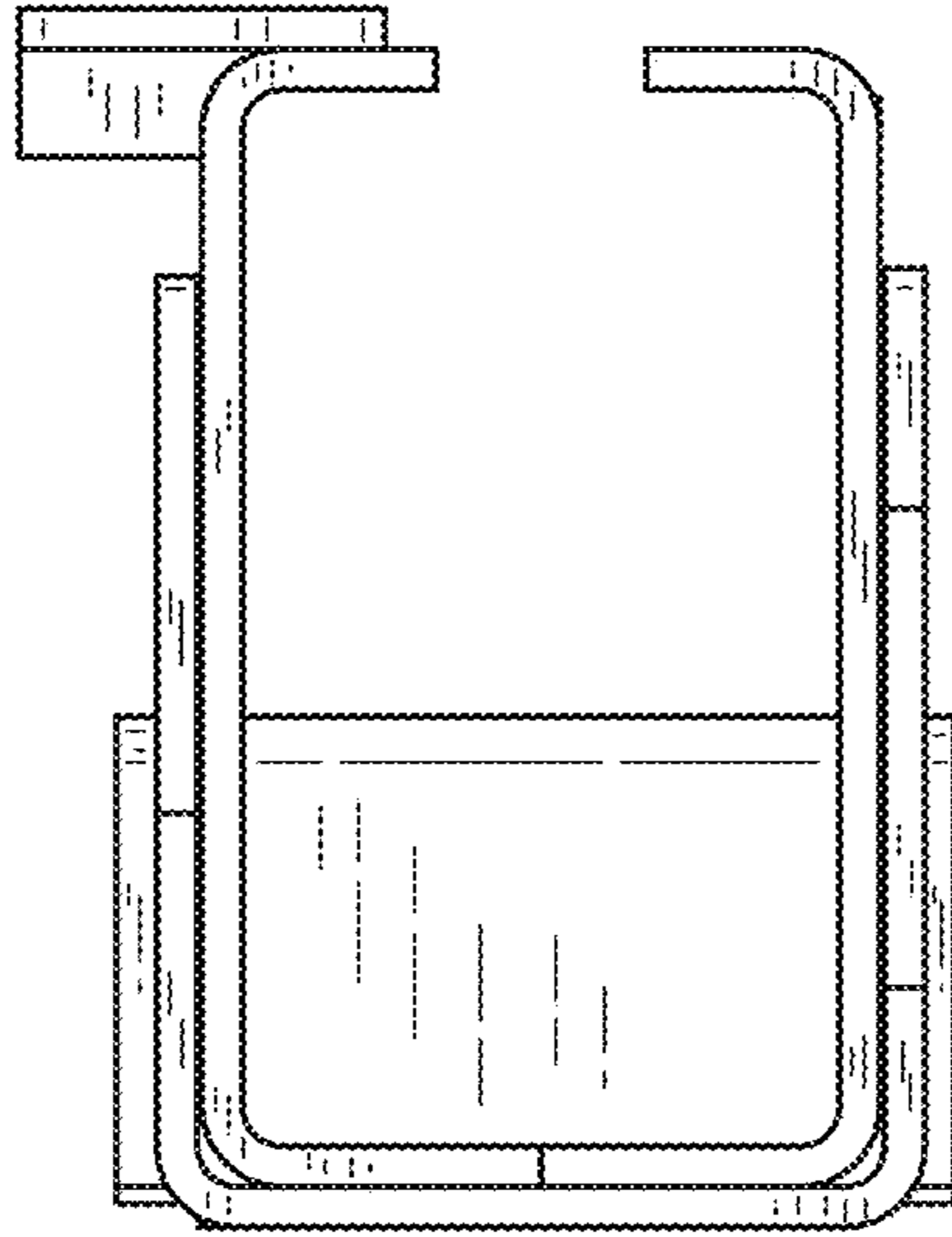


FIG. 5

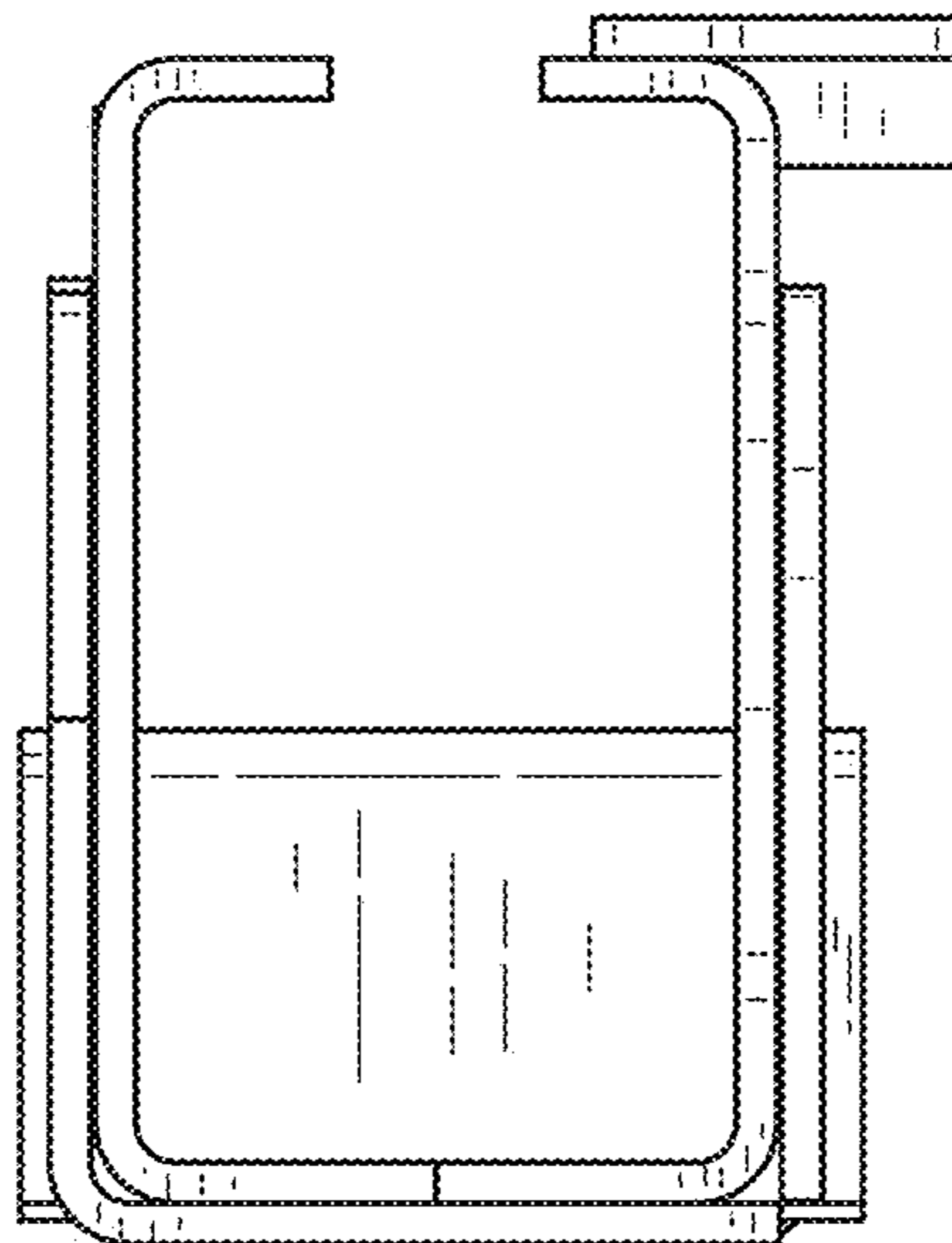


FIG. 6

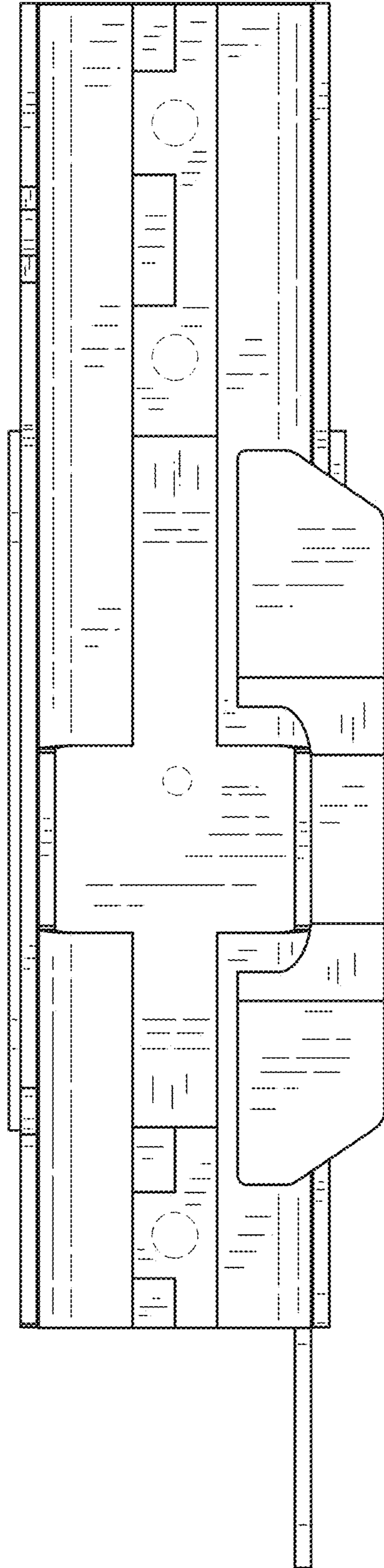


FIG.7

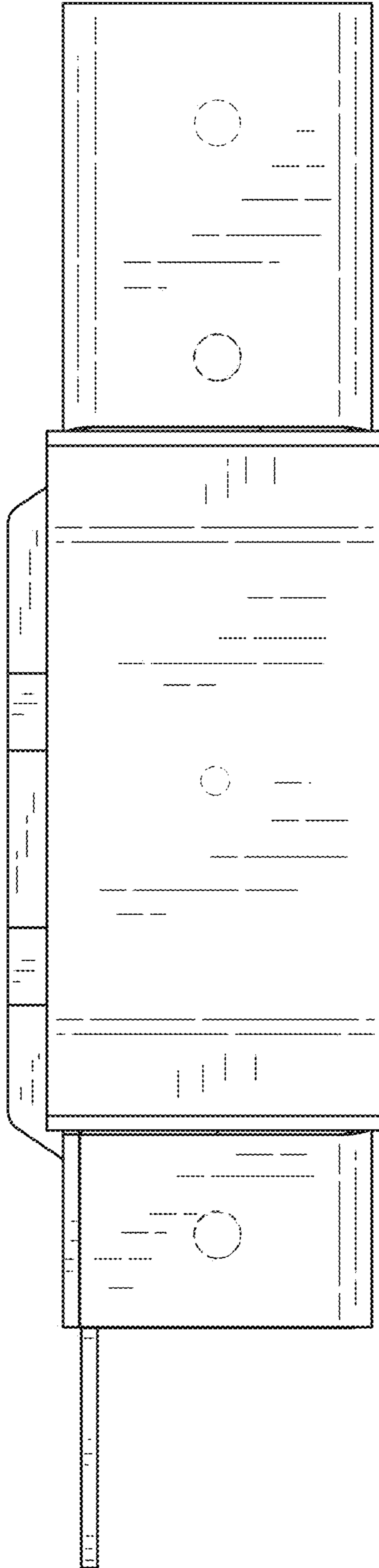


FIG. 8

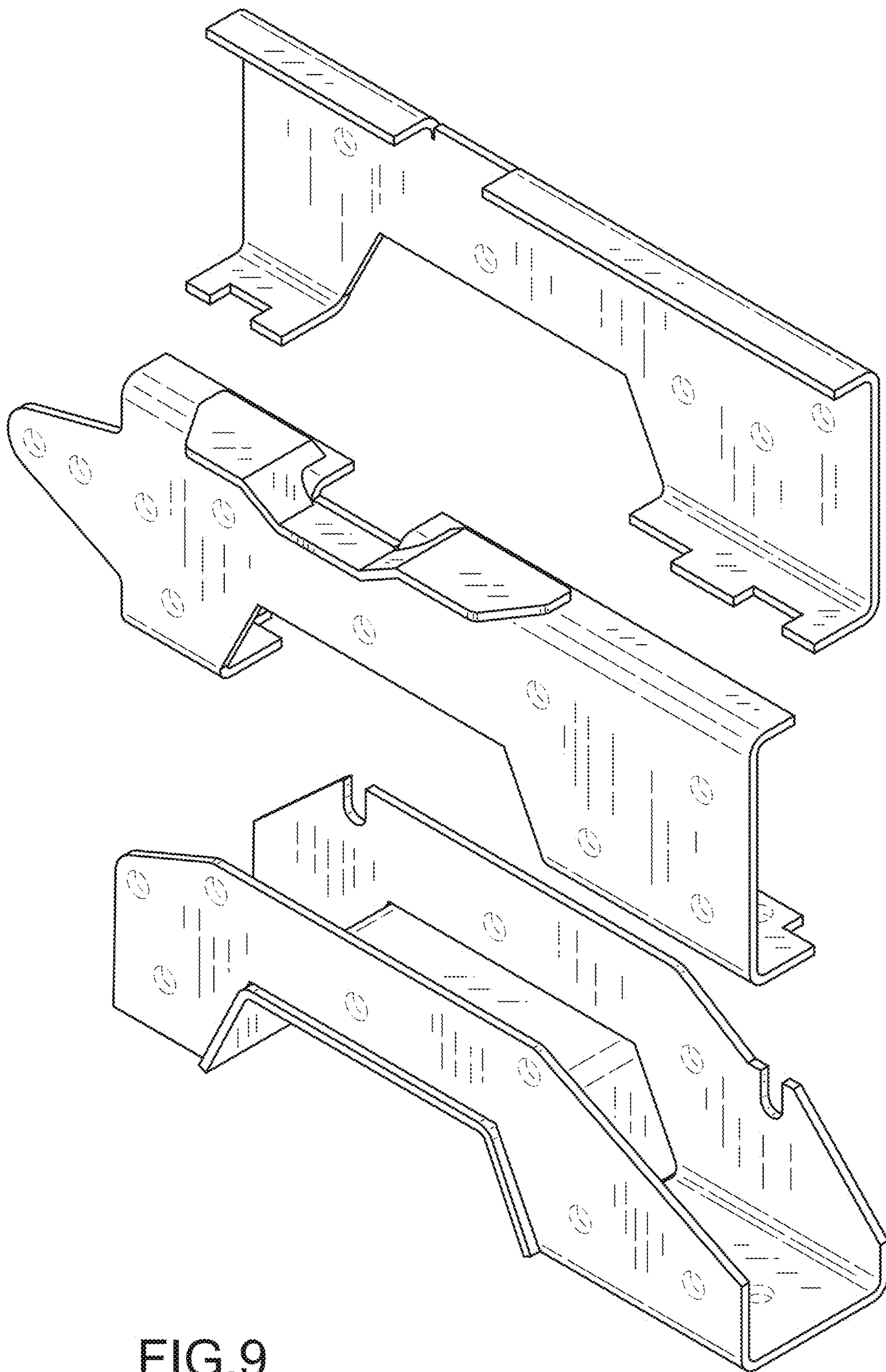


FIG.9