



US00D880373S

(12) **United States Design Patent** (10) **Patent No.:** **US D880,373 S**
Rupp (45) **Date of Patent:** **** Apr. 7, 2020**

(54) **BIKE PEDAL**
(71) Applicant: **Quarry Trail, LLC**, Salt Lake City, UT (US)
(72) Inventor: **David Rupp**, Salt Lake City, UT (US)
(73) Assignee: **Quarry Trail, LLC**, Salt Lake City, UT (US)
(**) Term: **15 Years**
(21) Appl. No.: **29/666,192**
(22) Filed: **Oct. 10, 2018**
(51) **LOC (12) Cl.** **12-11**
(52) **U.S. Cl.**
USPC **D12/125**
(58) **Field of Classification Search**
USPC D12/111, 125
CPC . B62M 3/00; B62M 3/08; B60N 3/063; B62J 25/00
See application file for complete search history.

D333,113 S * 2/1993 Nestrud D12/125
D387,706 S * 12/1997 Hanamura D12/125
D414,723 S * 10/1999 Hanamura D12/125
D432,463 S * 10/2000 Hanamura D12/125
D486,426 S * 2/2004 Lin D12/125
D522,414 S * 6/2006 Chen D12/125
D524,195 S * 7/2006 Neal D12/125
D615,003 S * 5/2010 Canfield D12/125
D616,336 S * 5/2010 James D12/125
D667,348 S * 9/2012 Canfield D12/125
D683,273 S * 5/2013 Winkie D12/125
D687,743 S * 8/2013 Lin D12/125
D739,312 S * 9/2015 Lin D12/125
D739,313 S * 9/2015 Chen D12/125
D779,387 S * 2/2017 Wilson D12/125

* cited by examiner

Primary Examiner — Darlington Ly
(74) *Attorney, Agent, or Firm* — Kirton McConkie; Brian Tucker

(57) **CLAIM**

The ornamental design for a bike pedal, as shown and described.

DESCRIPTION

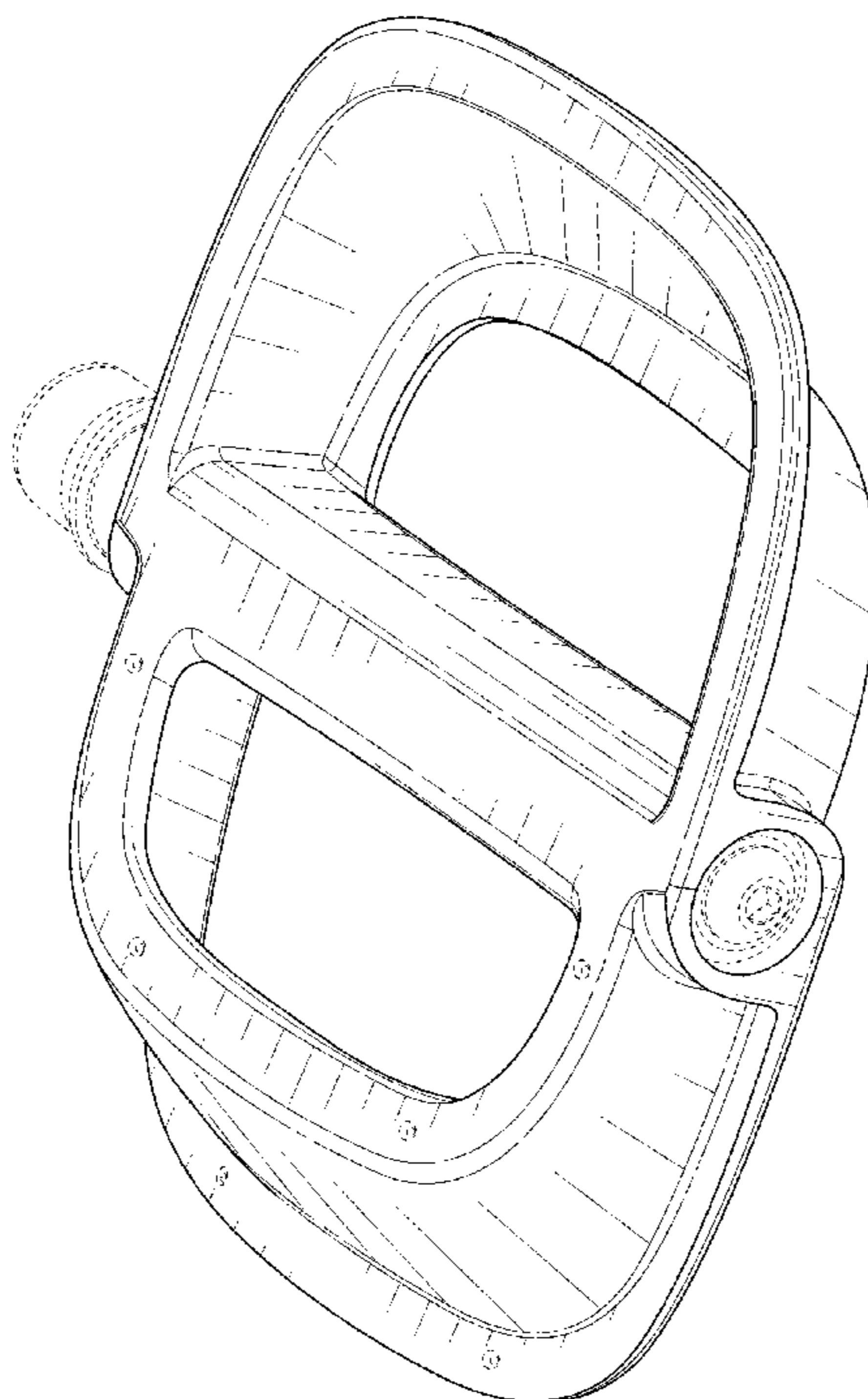
FIG. 1 is a front perspective view thereof;
FIG. 2 is a front elevation view thereof;
FIG. 3 is a rear elevation view thereof;
FIG. 4 is a left elevation view thereof;
FIG. 5 is a right elevation view thereof;
FIG. 6 is a top plan view thereof; and,
FIG. 7 is a bottom plan view thereof.
The broken lines represent environment and form no part of the claimed design.

1 Claim, 5 Drawing Sheets

(56) **References Cited**

U.S. PATENT DOCUMENTS

D280,192 S * 8/1985 Watanabe 74/594.4
D284,459 S * 7/1986 Shimizu 74/594.4
D292,075 S * 9/1987 Kiyota D12/125
D299,449 S * 1/1989 Chounan 74/594.4
D299,450 S * 1/1989 Chounan D12/125
D301,705 S * 6/1989 Ropp D12/125
D302,260 S * 7/1989 Schieferstein D12/125
D302,668 S * 8/1989 Chounan D12/125
D316,697 S * 5/1991 Beiser D12/125
D320,369 S * 10/1991 Feamster, III 74/594.4
D324,838 S * 3/1992 Briscadieu 74/594.4



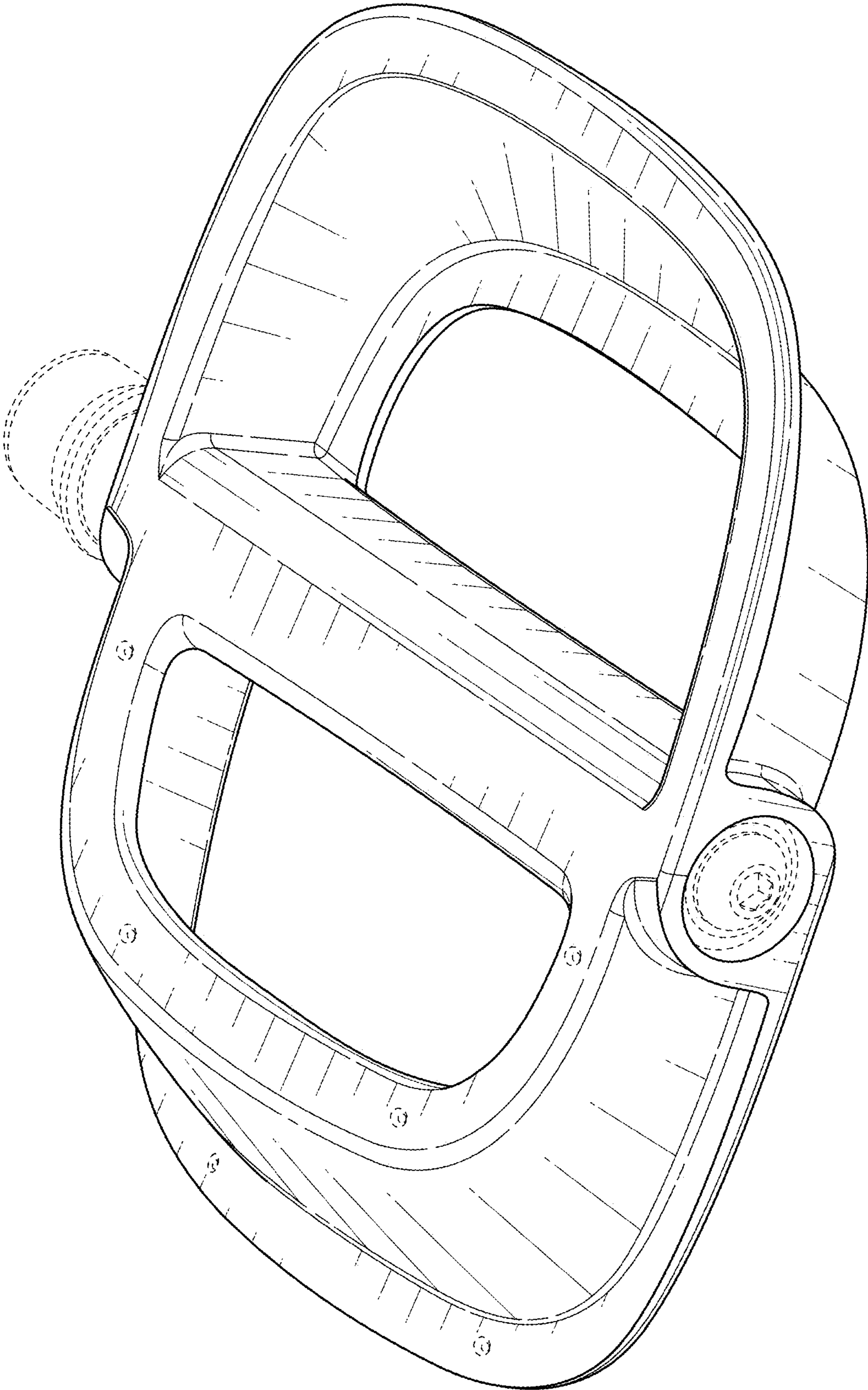


FIG. 1

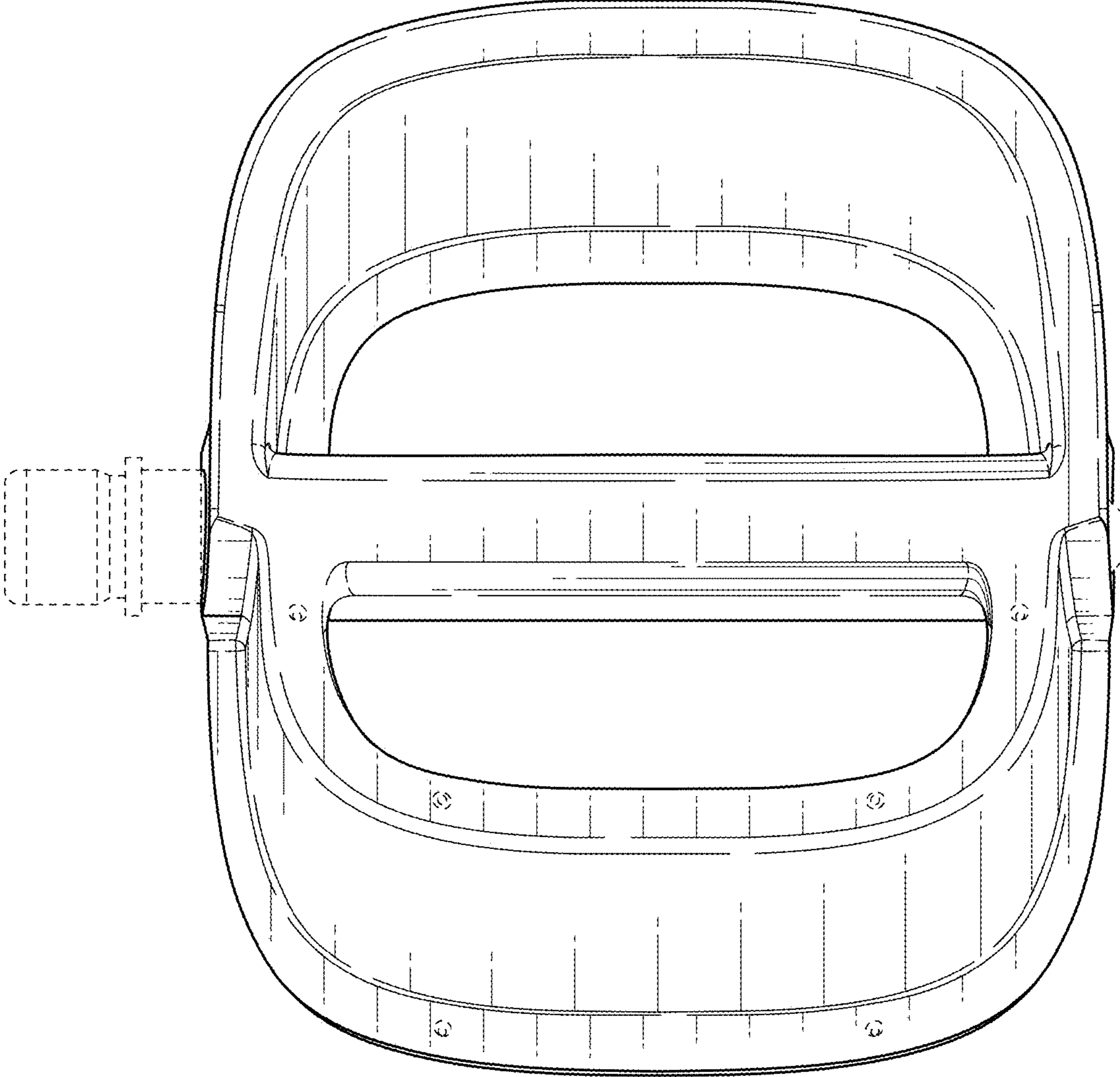


FIG. 2

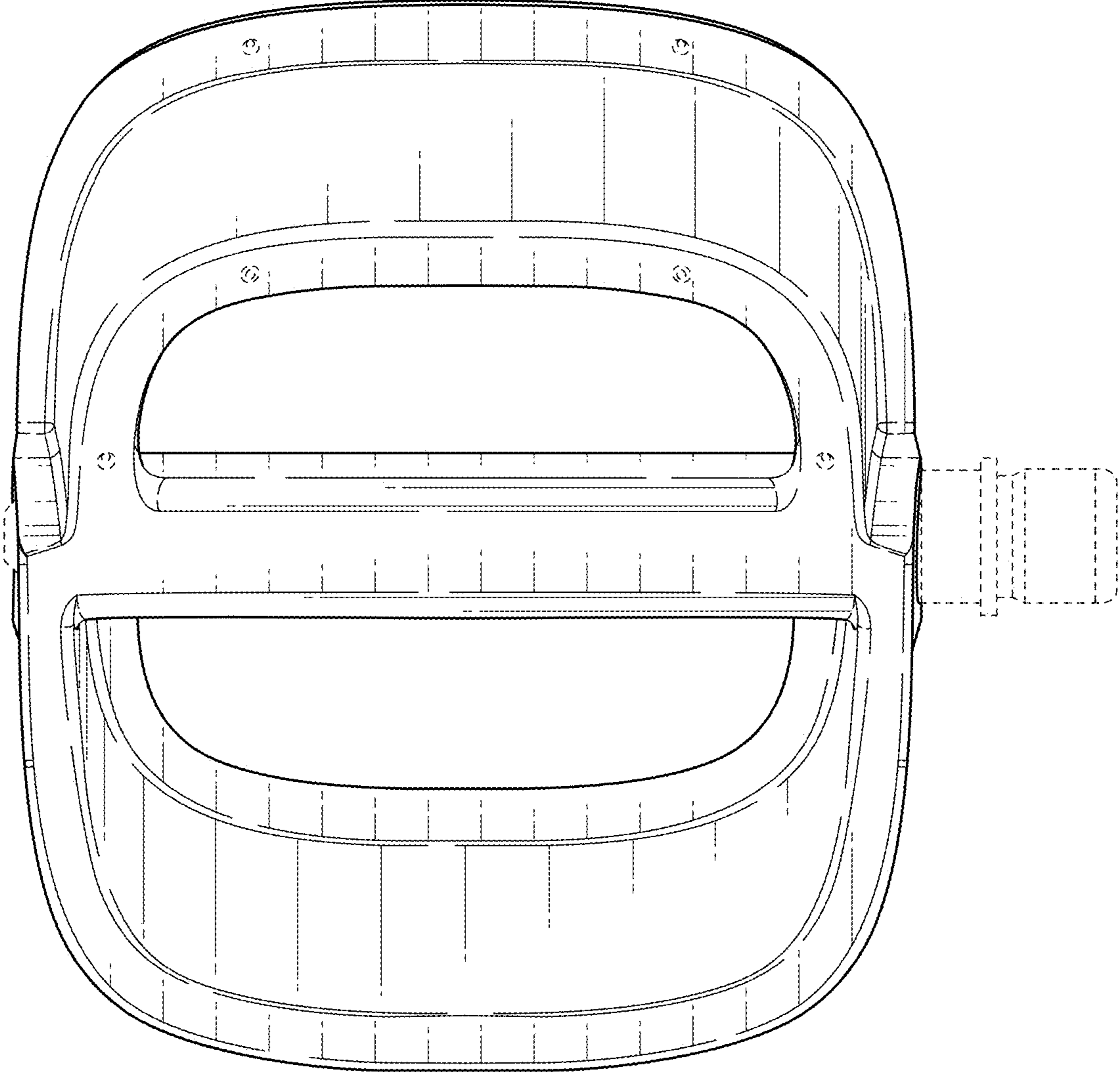


FIG. 3

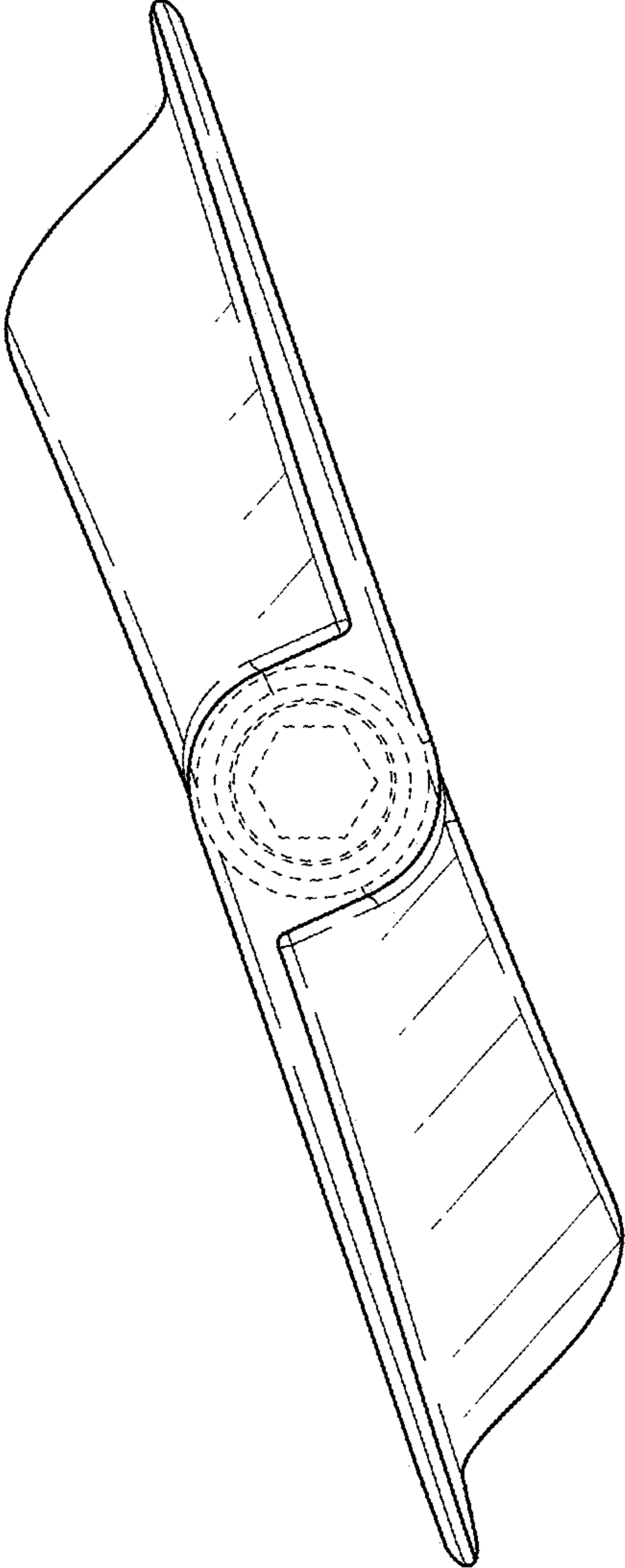


FIG. 4

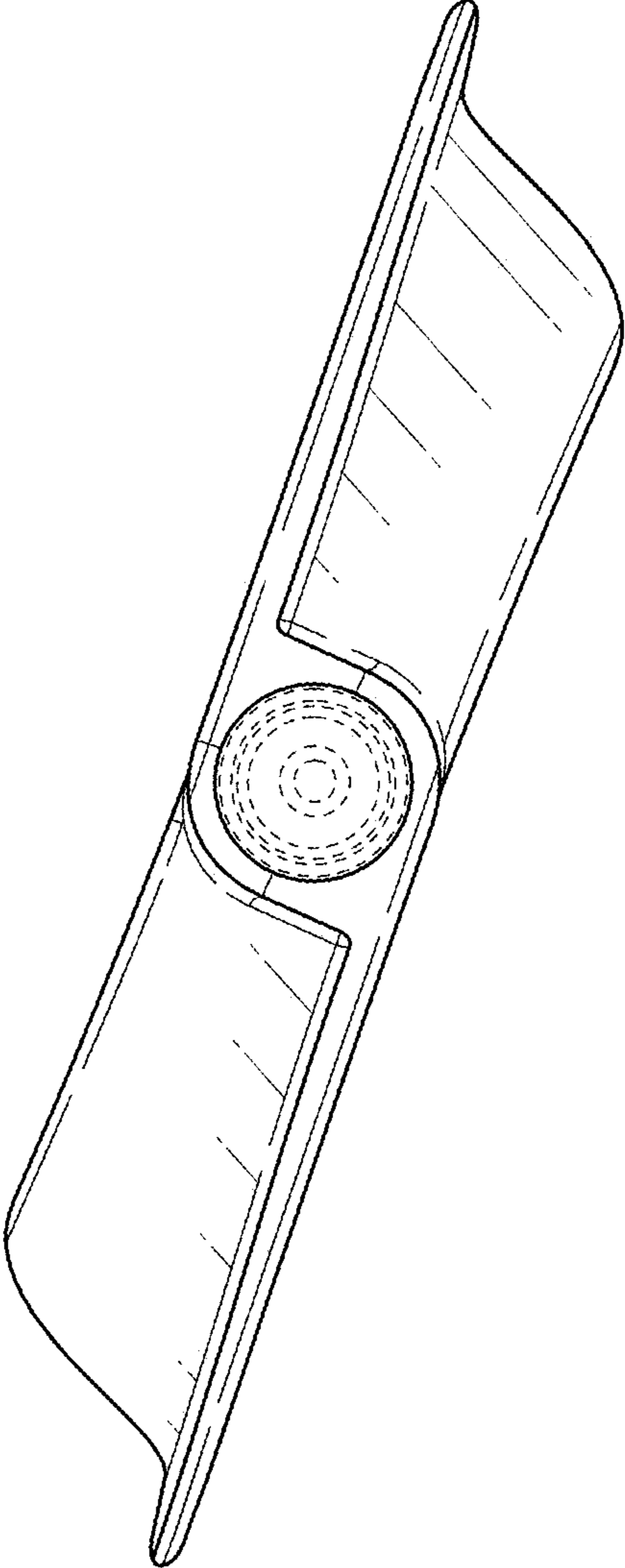


FIG. 5

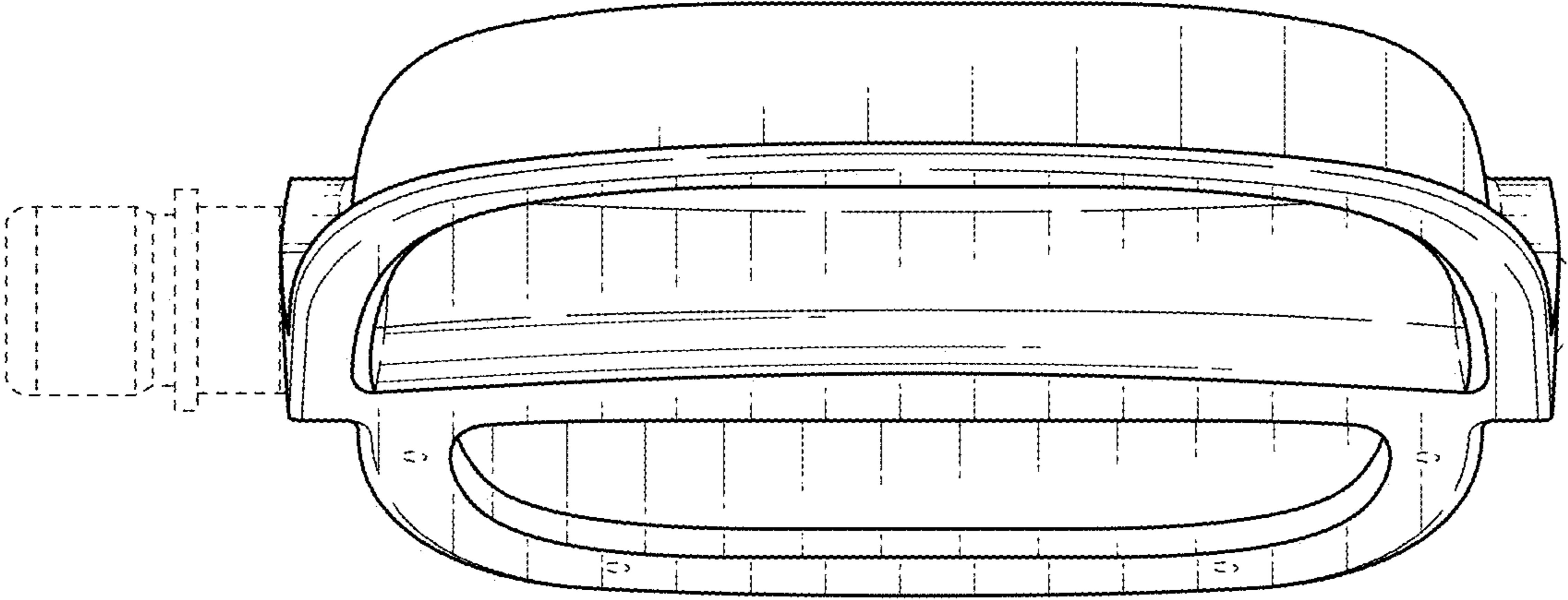


FIG. 6

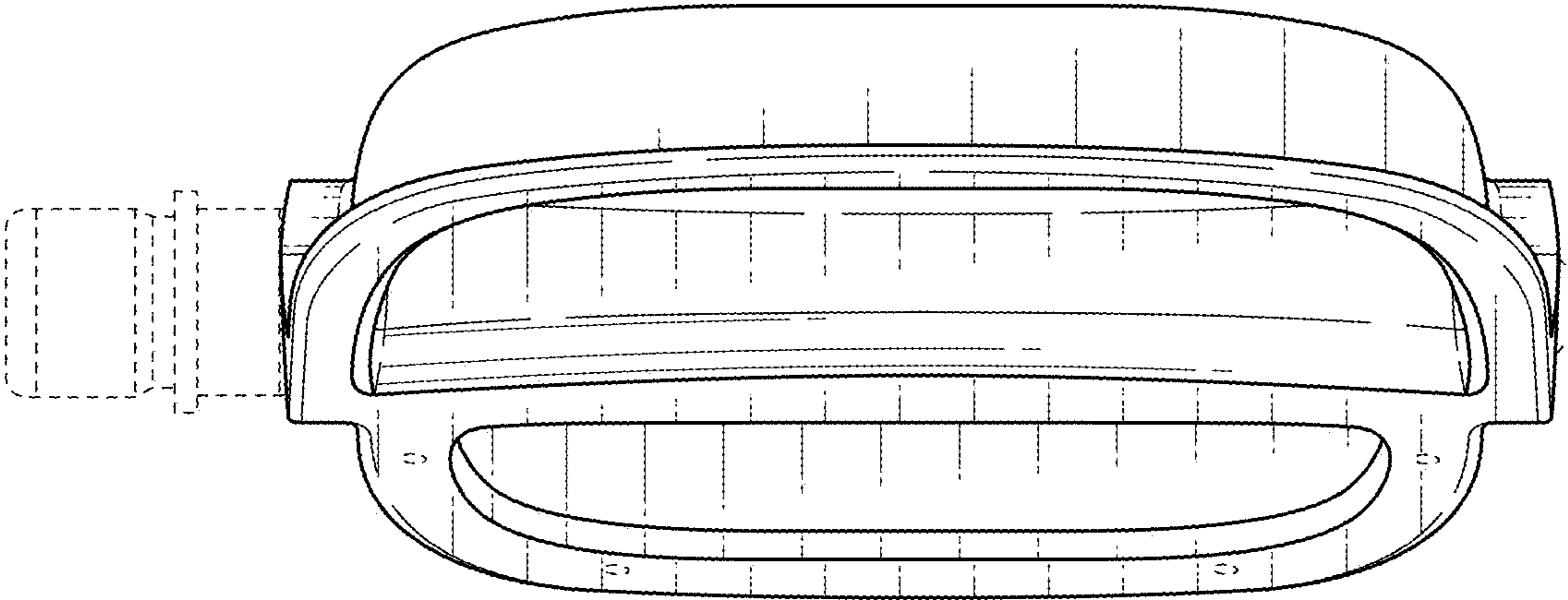


FIG. 7