



US00D880372S

(12) **United States Design Patent** (10) **Patent No.:** **US D880,372 S**
Weagle (45) **Date of Patent:** **** Apr. 7, 2020**

(54) **CYCLE SUSPENSION ASSEMBLY**
(71) Applicant: **TRVSTPER, INC.**, Salt Lake City, UT (US)

783,236 A 2/1905 Ashburn
848,324 A 3/1907 Sager
913,961 A 3/1909 Levedahl
(Continued)

(72) Inventor: **David Weagle**, Edgartown, MA (US)
(73) Assignee: **TRVSTPER, INC.**, Salt Lake City, UT (US)

FOREIGN PATENT DOCUMENTS

BE 507753 A 12/1951
CA 474575 A 6/1951
(Continued)

(**) Term: **15 Years**

OTHER PUBLICATIONS

(21) Appl. No.: **29/636,533**

Black and white photograph of Greeves trials machine, Applicant's internal files.

(22) Filed: **Feb. 8, 2018**

(Continued)

(51) **LOC (12) Cl.** **12-11**

(52) **U.S. Cl.**
USPC **D12/118**

(58) **Field of Classification Search**
USPC D12/111, 117, 118
CPC B62K 21/02; B62K 21/18; B62K 25/02
See application file for complete search history.

Primary Examiner — Darlington Ly
(74) *Attorney, Agent, or Firm* — Marshall, Gerstein & Borun LLP

(57) **CLAIM**

The ornamental design for a cycle suspension assembly, as shown and described.

(56) **References Cited**

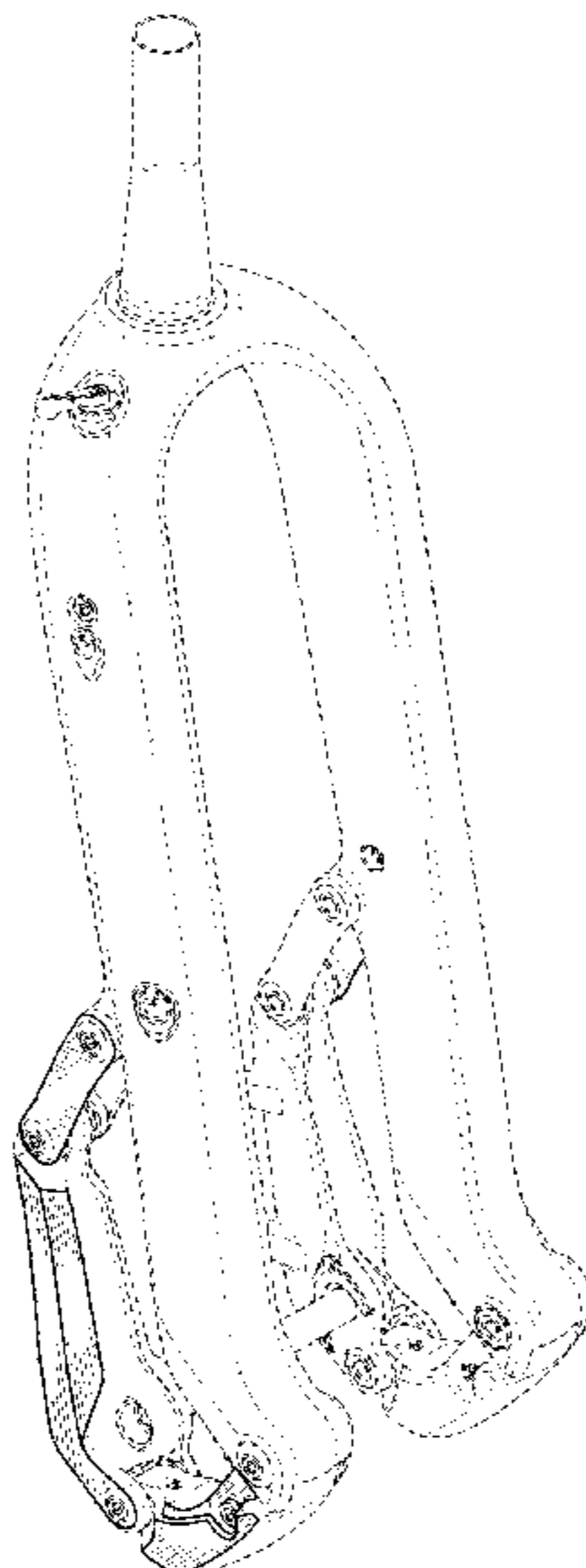
U.S. PATENT DOCUMENTS

389,200 A	9/1888	Clegg
393,387 A	11/1888	Norton
400,727 A	4/1889	Baudreau
412,322 A	10/1889	Copeland
414,048 A	10/1889	Hunter
423,471 A	3/1890	Easthope
426,402 A	4/1890	Torkelson
435,477 A	9/1890	Blackledge
441,649 A	12/1890	Dunlop
443,266 A	12/1890	Bell
444,639 A	1/1891	O'Neill
447,234 A	2/1891	Donnelly
467,794 A	1/1892	Ellis
468,643 A	2/1892	Clement
524,389 A	8/1894	La Casse
602,354 A	4/1898	Ohlgart
638,723 A	12/1899	Kelly
739,476 A	9/1903	Becker

DESCRIPTION

FIG. 1 is a top, front, and right side perspective view of a cycle suspension assembly showing our new design; FIG. 2 is a top, rear, and right side perspective view thereof; FIG. 3 is a front elevation view thereof; FIG. 4 is a rear elevation view thereof; FIG. 5 is a right side elevation view thereof; FIG. 6 is a left side elevation view thereof; FIG. 7 is a top plan view thereof; and, FIG. 8 is a bottom plan view thereof. The broken lines in the drawings illustrate portions of the cycle suspension assembly that form no part of the claimed design.

1 Claim, 7 Drawing Sheets



(56)

References Cited

U.S. PATENT DOCUMENTS

927,989 A	7/1909	Meiser	3,083,038 A	3/1963	Moulton
940,245 A	11/1909	Gates	3,133,748 A	5/1964	Gunnerson
946,143 A	1/1910	Levedahl	3,433,318 A	3/1969	Packard
953,697 A	4/1910	Kuebodeaux	3,694,004 A	9/1972	Siebers
973,071 A	10/1910	Redmond	3,701,544 A	10/1972	Stankovich
979,674 A	12/1910	Kittle et al.	3,730,553 A	5/1973	Harman
980,999 A	1/1911	Pommer	3,774,935 A	11/1973	Aldrich
989,638 A	4/1911	Pilgrim	3,942,821 A	3/1976	Bock
1,000,115 A	8/1911	Oquist	3,944,254 A	3/1976	Inui
1,036,263 A	8/1912	Kittle	3,954,284 A	5/1976	Phillips et al.
1,042,480 A	10/1912	Ridgway	3,989,261 A	11/1976	Kawaguchi
1,077,105 A	10/1913	Stewart	4,057,264 A	11/1977	Suzuki et al.
1,096,417 A	5/1914	Ekstrom	4,147,371 A	4/1979	Morita et al.
1,101,614 A	6/1914	Bramham	4,153,237 A	5/1979	Supalla
1,132,829 A	3/1915	Cobb	4,159,123 A	6/1979	Petty
1,144,753 A	6/1915	Budroe	4,162,797 A	7/1979	McBride
1,166,156 A	12/1915	Shimmin	4,170,369 A	10/1979	Strutman
1,189,874 A	7/1916	Schickel	4,179,135 A	12/1979	Slater
1,203,927 A	11/1916	Stagni	4,180,280 A	12/1979	Doveri
1,213,995 A	1/1917	Anderson	4,184,695 A	1/1980	Roe et al.
1,223,572 A	4/1917	Drew	4,186,936 A	2/1980	Offenstadt et al.
1,227,634 A	5/1917	Lake	4,189,168 A	2/1980	Courtney
1,251,992 A	1/1918	Drew	4,212,481 A	7/1980	Ribi
1,254,798 A	1/1918	Harley	4,265,329 A	5/1981	de Cortanze
1,273,179 A	7/1918	Perry et al.	4,268,055 A	5/1981	Bell
1,298,958 A	4/1919	Johnston	4,295,658 A	10/1981	Kashima
1,333,449 A	3/1920	Russell	4,367,882 A	1/1983	Alexander et al.
1,365,524 A	1/1921	Mellantine	4,388,978 A	6/1983	Fior
1,397,850 A	11/1921	Yoxall et al.	4,401,316 A	8/1983	Miyakoshi et al.
1,432,376 A	10/1922	Wolff	4,406,475 A	9/1983	Miyakoshi et al.
1,452,436 A	4/1923	Pullin	4,410,196 A	10/1983	Ribi
1,475,044 A	11/1923	Bloom	4,421,337 A	12/1983	Pratt
1,517,146 A	11/1924	Bloom	4,422,662 A	12/1983	Inoue et al.
1,527,133 A	2/1925	Harley	4,433,850 A	2/1984	Miyakoshi et al.
1,605,680 A	11/1926	Merkel	4,433,851 A	2/1984	Miyakoshi et al.
1,834,308 A	12/1931	Harley	4,437,678 A	3/1984	Schultz
1,924,363 A	8/1933	Kanai	4,438,909 A	3/1984	Matsumoto
2,038,011 A	4/1936	Spiegler et al.	4,444,406 A	4/1984	Isono
2,073,736 A	3/1937	Duffy	4,455,032 A	6/1984	Kajikawa
2,087,299 A	7/1937	Pribil	4,480,711 A	11/1984	Satoh et al.
2,160,034 A	5/1939	Schwinn	4,520,892 A	6/1985	Satoh
2,203,342 A	6/1940	Sloman	4,526,249 A	7/1985	Parker
2,233,313 A	2/1941	Hazelroth	4,531,755 A	7/1985	Isono et al.
2,271,304 A	1/1942	Mulholland	4,533,153 A	8/1985	Tsunoda et al.
2,303,568 A	12/1942	McWhorter et al.	4,540,190 A	9/1985	Moulton
2,376,788 A	5/1945	Latscher-Latka	4,542,910 A	9/1985	Watanabe
2,462,711 A	2/1949	Barnett	4,561,669 A	12/1985	Simons
2,463,310 A	3/1949	Probst	4,570,963 A	2/1986	Isono
2,464,326 A	3/1949	MacGregor	4,572,534 A	2/1986	Heyl
2,475,774 A	7/1949	Benson	4,576,393 A	3/1986	Moulton et al.
2,485,484 A	10/1949	Dean	4,585,245 A	4/1986	Rose
2,486,430 A	11/1949	Moore	4,616,810 A	10/1986	Richardson et al.
2,489,821 A	11/1949	Ryder	4,625,985 A	12/1986	Nakano et al.
2,504,452 A	4/1950	Rostan	4,650,027 A	3/1987	de Cortanze
2,525,171 A	10/1950	Franks	4,660,683 A	4/1987	Hayashi et al.
2,537,679 A	1/1951	Kraeft	4,685,694 A	8/1987	Kouyama
2,540,585 A	2/1951	Kranz	4,702,338 A	10/1987	Trema
2,543,991 A	3/1951	Schuricht	4,703,839 A	11/1987	Yasuo et al.
2,550,876 A	5/1951	Spencer	4,723,621 A	2/1988	Kawano et al.
2,561,156 A	7/1951	Thorkildsen	4,732,241 A	3/1988	Yoshida
2,588,889 A	3/1952	Sherwood	4,738,468 A	4/1988	Baron
2,596,411 A	5/1952	Jordan	4,741,545 A	5/1988	Honma et al.
2,636,567 A	4/1953	Landrum	4,742,884 A	5/1988	Ishikawa
2,649,312 A	8/1953	Miller	4,744,434 A	5/1988	Miyakoshi et al.
2,660,455 A	11/1953	Douglas et al.	4,770,434 A	9/1988	Pietro et al.
2,708,112 A	5/1955	Seddon et al.	4,775,163 A	10/1988	McGowan et al.
2,729,465 A	1/1956	Torre	4,776,609 A	10/1988	Pan et al.
2,751,991 A	6/1956	Mennesson	4,789,174 A	12/1988	Lawwill
2,752,167 A	6/1956	Propst et al.	4,807,898 A	2/1989	Huntly
2,756,070 A	7/1956	Torre	4,809,802 A	3/1989	Seino et al.
2,756,832 A	7/1956	Dalrymple	4,815,763 A	3/1989	Hartmann
2,918,306 A	12/1959	Lewandoski	4,828,069 A	5/1989	Hatsuyama
2,953,395 A	9/1960	Turner	4,834,412 A	5/1989	Trema
2,969,992 A	1/1961	Hahn	4,878,558 A	11/1989	Asakura
2,976,056 A	3/1961	Henry	4,881,750 A	11/1989	Hartmann
			4,890,857 A	1/1990	de Cortanze
			4,971,344 A	11/1990	Turner
			4,993,734 A	2/1991	Trema
			4,997,197 A	3/1991	Shultz

(56)

References Cited

U.S. PATENT DOCUMENTS

5,009,451 A 4/1991 Hayashi et al.
 5,042,608 A 8/1991 Horiike et al.
 5,050,699 A 9/1991 Savard
 5,064,212 A 11/1991 Yun
 5,069,303 A 12/1991 Fuller
 5,069,467 A 12/1991 Claudio
 5,088,705 A 2/1992 Tsai
 5,133,223 A 7/1992 Morri
 5,156,231 A 10/1992 Trema
 5,186,481 A 2/1993 Turner
 5,193,832 A 3/1993 Wilson et al.
 5,193,833 A 3/1993 Reisinger
 5,195,766 A 3/1993 Dohrmann et al.
 5,219,211 A 6/1993 Tsuchida et al.
 5,248,159 A 9/1993 Moore
 5,249,650 A 10/1993 Tanaka
 5,269,549 A 12/1993 Wilson et al.
 D344,253 S * 2/1994 Bishop D12/118
 5,284,352 A 2/1994 Chen
 5,299,820 A 4/1994 Lawwill
 5,308,099 A 5/1994 Browning
 5,310,203 A 5/1994 Chen
 5,320,374 A 6/1994 Farris et al.
 5,328,196 A 7/1994 Ohma
 5,350,185 A 9/1994 Robinson
 5,354,085 A 10/1994 Gally
 5,359,910 A 11/1994 Chang et al.
 5,361,864 A 11/1994 Tanaka
 5,380,026 A 1/1995 Robinson
 5,403,028 A 4/1995 Trimble
 5,405,159 A 4/1995 Klein et al.
 5,409,248 A 4/1995 Williams
 5,413,368 A 5/1995 Pong et al.
 5,417,446 A 5/1995 Pileggi
 5,427,208 A 6/1995 Motobu et al.
 5,427,397 A 6/1995 Chonan
 5,429,380 A 7/1995 Lawwill
 5,431,426 A 7/1995 Ijams et al.
 5,441,291 A 8/1995 Girvin, III
 5,449,155 A 9/1995 Mack
 5,456,480 A 10/1995 Turner et al.
 5,462,302 A 10/1995 Leitner
 D368,054 S * 3/1996 Behrens D12/118
 5,498,013 A 3/1996 Hwang
 D368,880 S * 4/1996 Harrington D12/111
 5,509,674 A 4/1996 Browning
 5,509,676 A 4/1996 Fukutake et al.
 5,564,534 A 10/1996 Toyoda et al.
 5,599,034 A 2/1997 Brigden
 5,743,547 A 4/1998 Voss et al.
 5,749,590 A 5/1998 Roerig
 5,782,313 A 7/1998 Kurawaki et al.
 5,799,963 A 9/1998 Berkmann
 5,813,684 A 9/1998 Baron
 5,829,773 A 11/1998 Rajae
 D403,992 S * 1/1999 D'Aluisio D12/118
 5,855,388 A 1/1999 Brewer
 D406,802 S * 3/1999 D'Aluisio D12/118
 5,899,478 A 5/1999 Woodside
 D411,147 S * 6/1999 Tsai D12/118
 5,908,200 A 6/1999 Stewart
 5,931,487 A 8/1999 Koppelberg et al.
 5,931,489 A 8/1999 Damman et al.
 D415,449 S * 10/1999 Tsai D12/118
 D417,416 S * 12/1999 Storz D12/118
 6,017,047 A * 1/2000 Hoose B60G 3/01
 280/276
 6,036,211 A 3/2000 Nohr
 6,047,981 A 4/2000 Burrows
 6,089,585 A 7/2000 Theobald
 6,149,173 A 11/2000 Bynoe
 6,152,472 A 11/2000 Woodside
 6,155,370 A 12/2000 Iwai et al.
 6,164,424 A 12/2000 Girvin et al.
 6,164,675 A 12/2000 Pickering

6,199,885 B1 3/2001 Seidl
 6,244,609 B1 6/2001 Wilson
 6,260,869 B1 7/2001 Hanlon et al.
 6,260,870 B1 7/2001 Fan
 6,263,994 B1 7/2001 Eitel
 6,336,647 B1 * 1/2002 Iwai B62K 25/08
 180/219
 6,357,775 B1 3/2002 Iwai et al.
 6,371,263 B1 4/2002 Hoose
 6,382,374 B1 5/2002 Iwai et al.
 6,386,567 B1 5/2002 Schonfeld
 6,402,175 B1 6/2002 Jansson
 6,457,732 B2 10/2002 Ito et al.
 6,485,043 B2 11/2002 Ito et al.
 6,488,300 B2 12/2002 Ito et al.
 6,505,719 B2 * 1/2003 Gonzalez B62K 25/08
 188/319.2
 6,517,095 B1 2/2003 Lansac et al.
 6,517,096 B2 2/2003 Yih
 6,533,305 B1 3/2003 Falk
 6,669,219 B2 * 12/2003 Turner B62K 21/02
 280/276
 D494,108 S * 8/2004 Liao D12/118
 6,783,140 B1 8/2004 Huang
 6,789,810 B2 9/2004 Strong
 6,896,276 B1 5/2005 Sparrow
 6,908,092 B2 6/2005 Kofuji et al.
 6,910,702 B1 6/2005 Hals
 6,918,605 B2 7/2005 Wada et al.
 6,994,365 B2 2/2006 Kofuji
 7,011,325 B2 3/2006 Kinzler et al.
 7,140,627 B2 11/2006 Wimmer
 7,159,883 B2 1/2007 Mydlarz
 D542,718 S * 5/2007 Costa D12/118
 7,210,695 B2 5/2007 Griffiths
 7,331,594 B2 2/2008 Wimmer
 7,350,787 B2 4/2008 Voss
 7,364,178 B2 4/2008 Wimmer
 7,425,008 B2 9/2008 Pokrywka
 7,425,009 B2 9/2008 Namazue et al.
 7,434,823 B2 10/2008 Robinson et al.
 7,441,622 B2 * 10/2008 Costa B62K 21/04
 180/219
 7,591,474 B1 * 9/2009 French B62K 21/02
 280/279
 7,699,330 B2 4/2010 Chen
 7,708,296 B2 5/2010 Becker et al.
 7,744,107 B2 6/2010 Chen
 7,887,077 B2 2/2011 Thiers
 7,891,645 B2 * 2/2011 Schroeder B62K 25/08
 267/178
 7,896,379 B2 3/2011 Nagao et al.
 D666,947 S * 9/2012 Vardon D12/118
 8,448,970 B1 5/2013 Vardon
 8,534,692 B2 9/2013 Trebichavsky
 8,939,458 B2 1/2015 Nesbitt, III
 9,248,883 B2 2/2016 D'Aluisio
 D774,986 S * 12/2016 Salvioli Mariani D12/118
 2001/0019197 A1 9/2001 Ito et al.
 2002/0084619 A1 7/2002 Odom
 2004/0036250 A1 2/2004 Kofuji
 2007/0144845 A1 * 6/2007 Saito B62K 25/08
 188/281
 2008/0258424 A1 10/2008 Paul
 2011/0012321 A1 1/2011 Chen

FOREIGN PATENT DOCUMENTS

CH 63758 A 2/1914
 DE 1084599 B 6/1960
 DE 1122392 B 1/1962
 DE 3133576 A1 5/1983
 DE 3223728 A1 12/1983
 DE 8906328 U1 11/1989
 DE 3833880 A1 4/1990
 DE 4119339 A1 1/1992
 DE 9404873 U1 5/1994
 DE 9403640 U1 6/1994

(56)

References Cited

FOREIGN PATENT DOCUMENTS

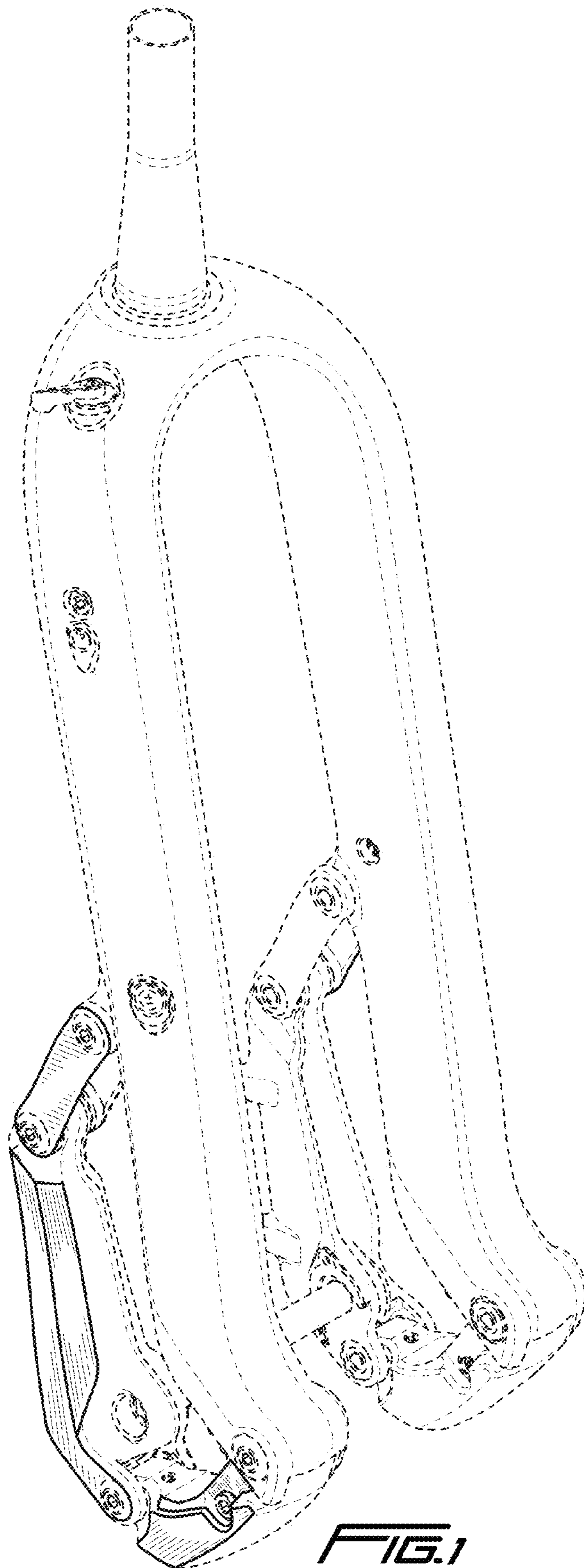
DE	9414705	U1	2/1995
DE	19503047	A1	8/1996
DE	19635939	A1	6/1997
DE	19633692	A1	2/1998
DK	49600	C	12/1934
EP	0032170	B1	2/1986
EP	0030306	B1	4/1986
EP	0125244	B1	1/1987
EP	0399615	A2	11/1990
EP	420610	B1	2/1996
EP	726198	A2	8/1996
EP	0731017	B1	10/1997
EP	0941916	A1	9/1999
EP	0992374	A1	4/2000
EP	1049618	B1	9/2003
EP	728093	B2	11/2005
EP	2096024	A1	9/2009
EP	2100807	A1	9/2009
EP	2357098	A2	8/2011
EP	2483141	B1	11/2013
FR	347724	A	3/1905
FR	353990	A	9/1905
FR	350269	A	12/1905
FR	376759	A	8/1907
FR	467213	A	6/1914
FR	547006	A	11/1922
FR	559088	A	9/1923
FR	28240	E	1/1925
FR	636211	A	4/1928
FR	902973	A	9/1945
FR	972653	A	2/1951
FR	1030006	A	6/1953
FR	1032268	A	6/1953
FR	1059922	A	3/1954
FR	1064265	A	5/1954
FR	1067221	A	6/1954
FR	1082316	A	12/1954
FR	2418742	A1	9/1979
FR	2494208	A2	5/1982
FR	2687976	A1	9/1993
FR	2687976	B1	5/1994
FR	3004415	A1	10/2014
GB	166065	A	7/1921
GB	223638	A	10/1924
GB	238069	A	8/1925
GB	239848	A	12/1925
GB	258141	A	9/1926

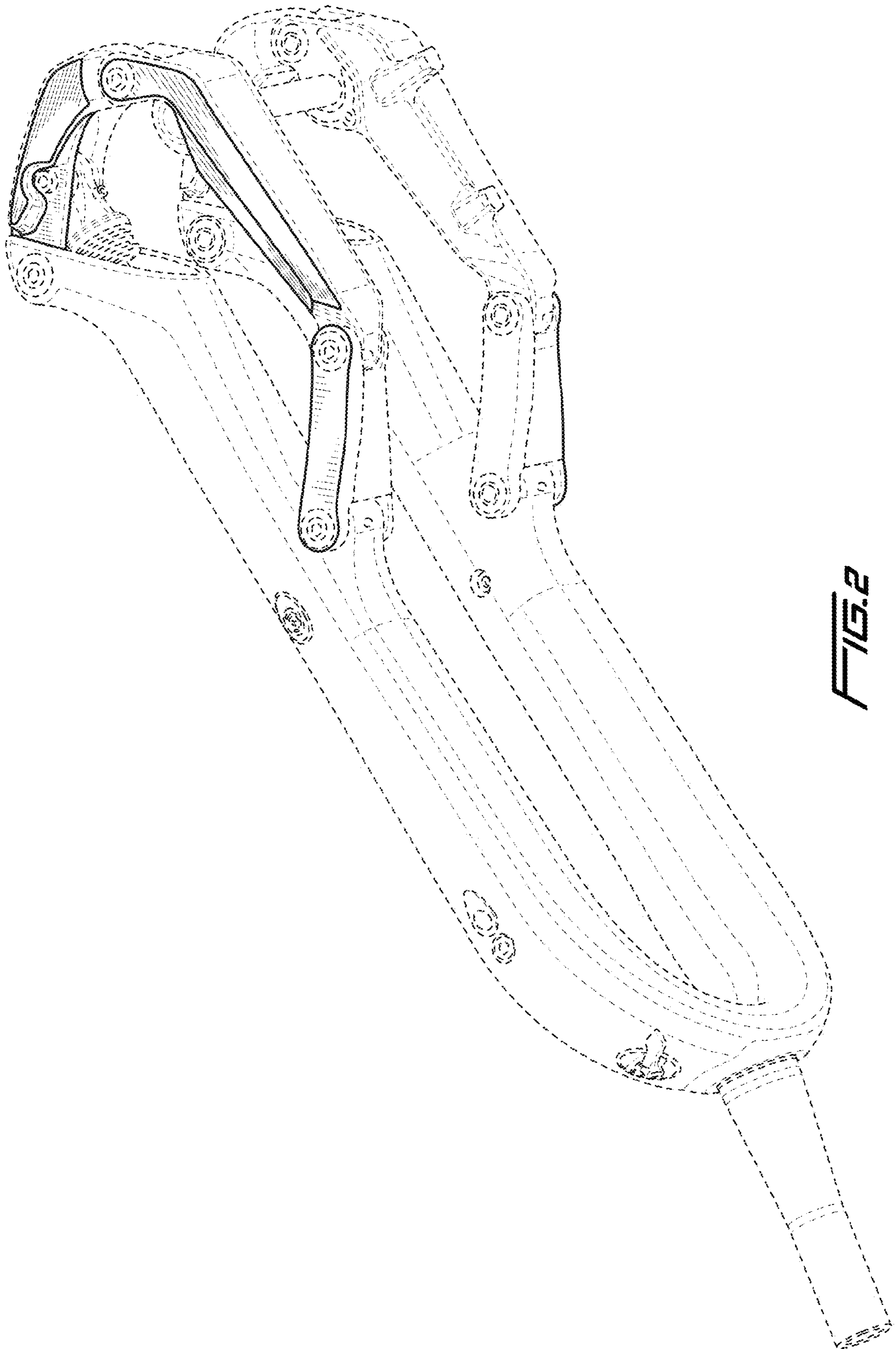
GB	264003	A	1/1927
GB	279630	A	11/1927
GB	302026	A	12/1928
GB	322370	A	12/1929
GB	469697	A	7/1937
GB	585122	A	1/1947
GB	585904	A	2/1947
GB	586372	A	3/1947
GB	691551	A	5/1953
GB	717259	A	10/1954
GB	720093	A	12/1954
GB	824866	A	12/1959
GB	841523	A	7/1960
GB	1540824	A	2/1979
GB	1545403	A	5/1979
GB	2038736	A	7/1980
GB	2052407	A	1/1981
GB	2073680	A	10/1981
GB	2106843	A	4/1983
JP	63-112191	U	7/1988
JP	649887	U	1/1989
JP	1204884	A	8/1989
JP	5069875	A	3/1993
JP	05-020635	Y2	5/1993
JP	1999091671	A	4/1999
JP	2000159170	A	6/2000
JP	2000159171	A	6/2000
JP	2000159177	A	6/2000
JP	2000159178	A	6/2000
JP	2000168666	A	6/2000
WO	WO-82/00445	A1	2/1982
WO	WO-84/00526	A1	2/1984
WO	WO-87/01670	A1	3/1987
WO	WO-95/23728	A1	9/1995
WO	WO-97/46443	A1	12/1997
WO	WO-00/013961	A1	3/2000

OTHER PUBLICATIONS

Black and white photograph of Scorpion motorcycle, Applicant's internal files.
 Black and white photograph of Silencer motorcycle, Applicant's internal files.
 Color Photograph of a Cotton TC-70 motorcycle, Applicant's internal files.
 Color photograph of Armstrong bicycle, Applicant's Internal Files.
 Color photograph of Armstrong motor cycle, Applicant's internal files.

* cited by examiner





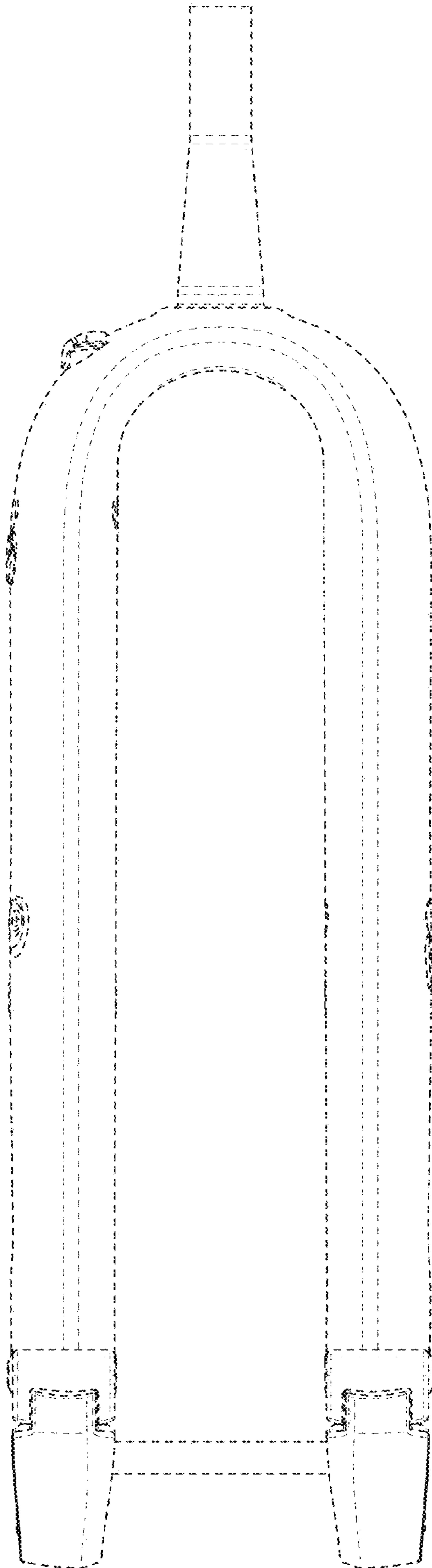


FIG. 3

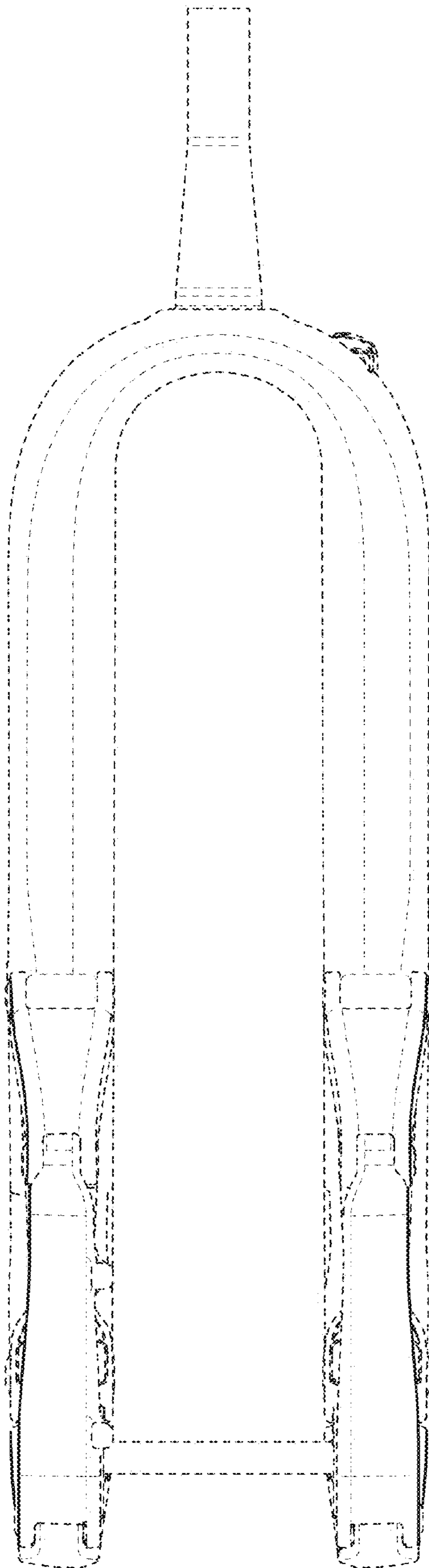


FIG. 4

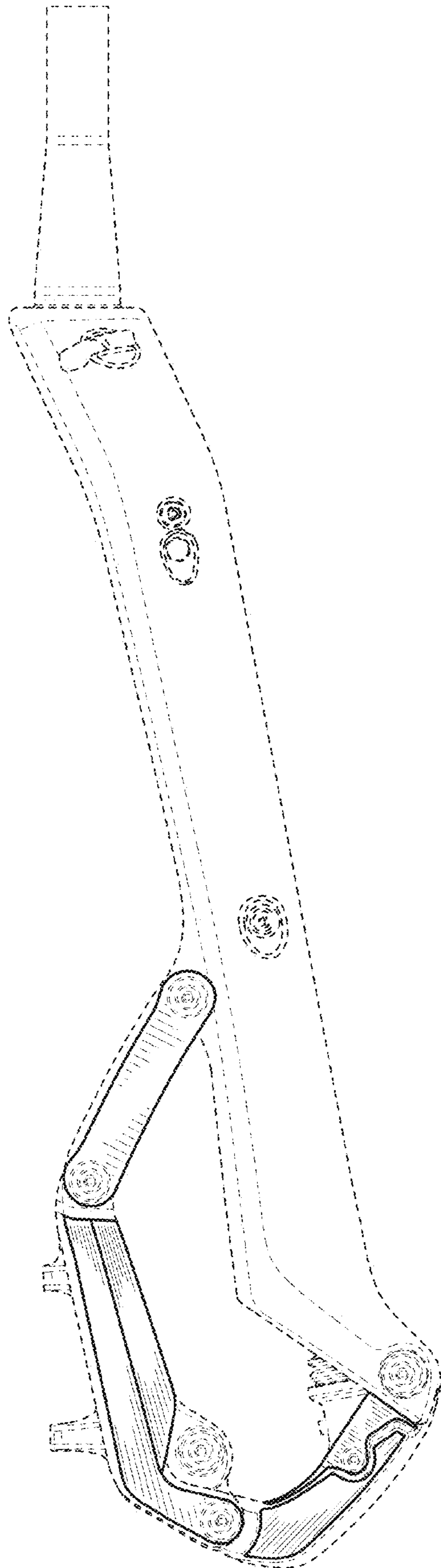


FIG. 5

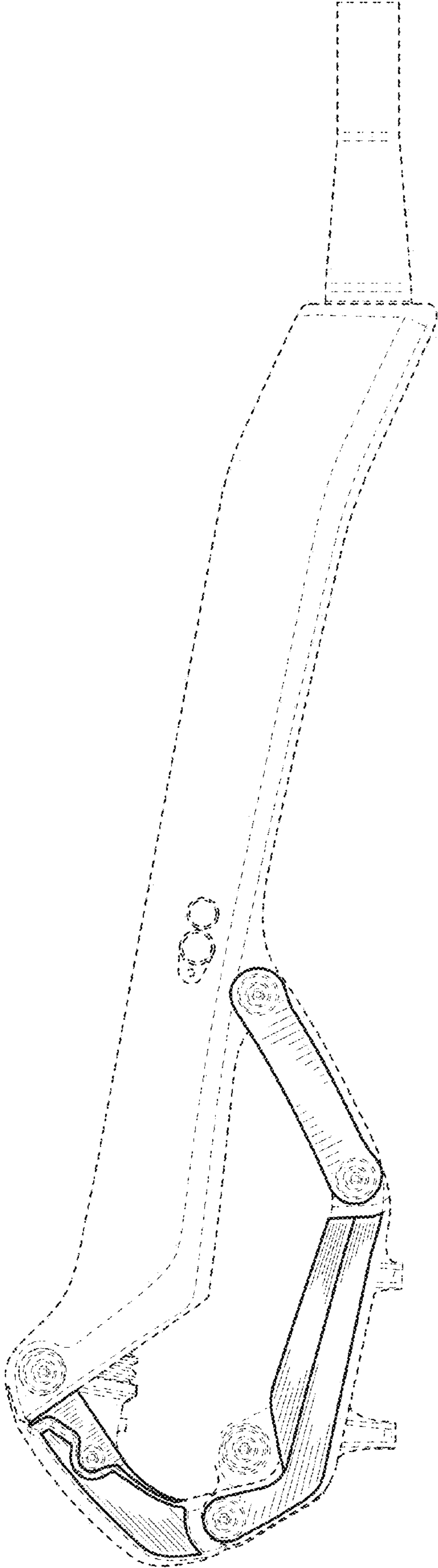


FIG. 6

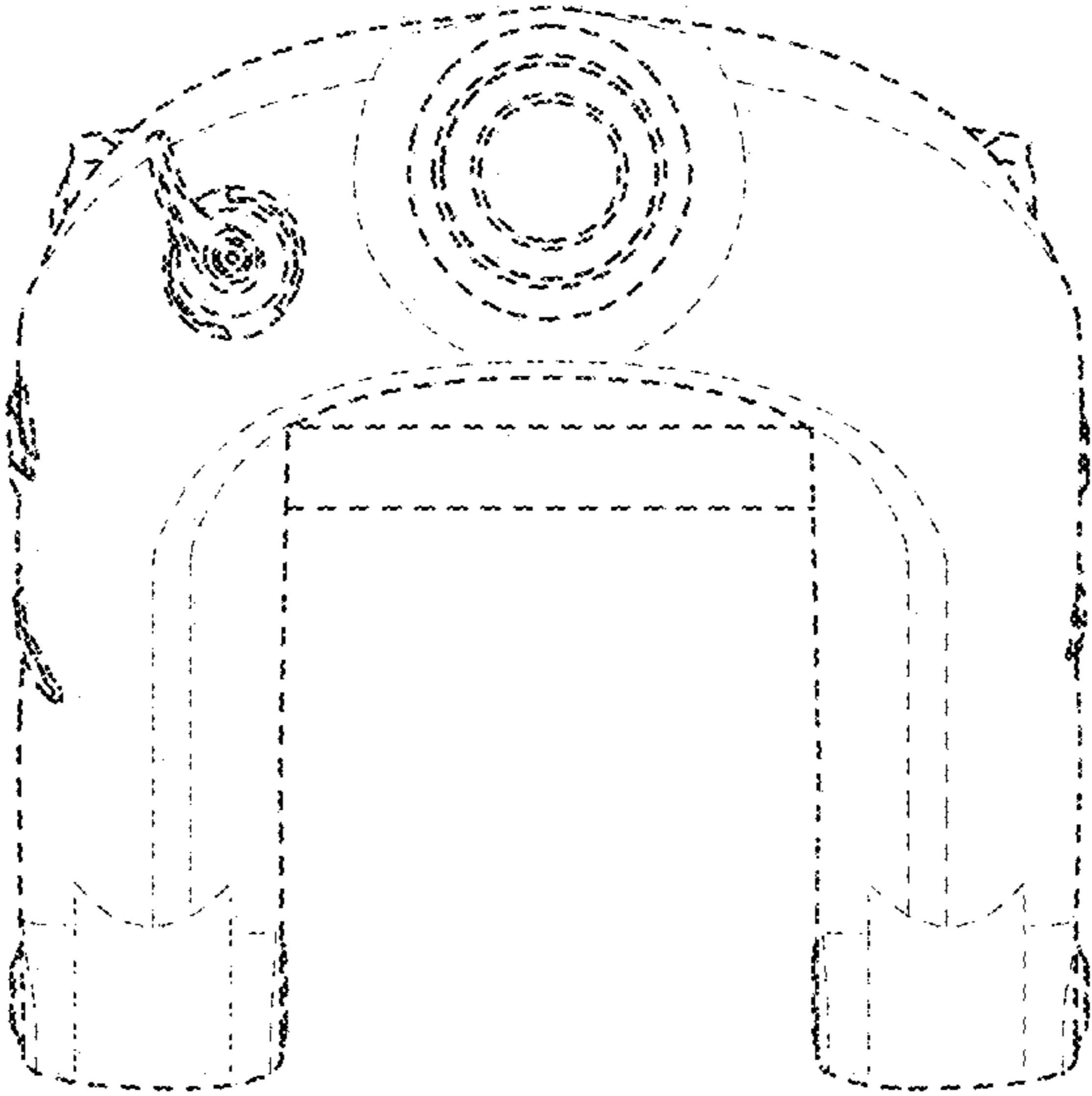


FIG. 7

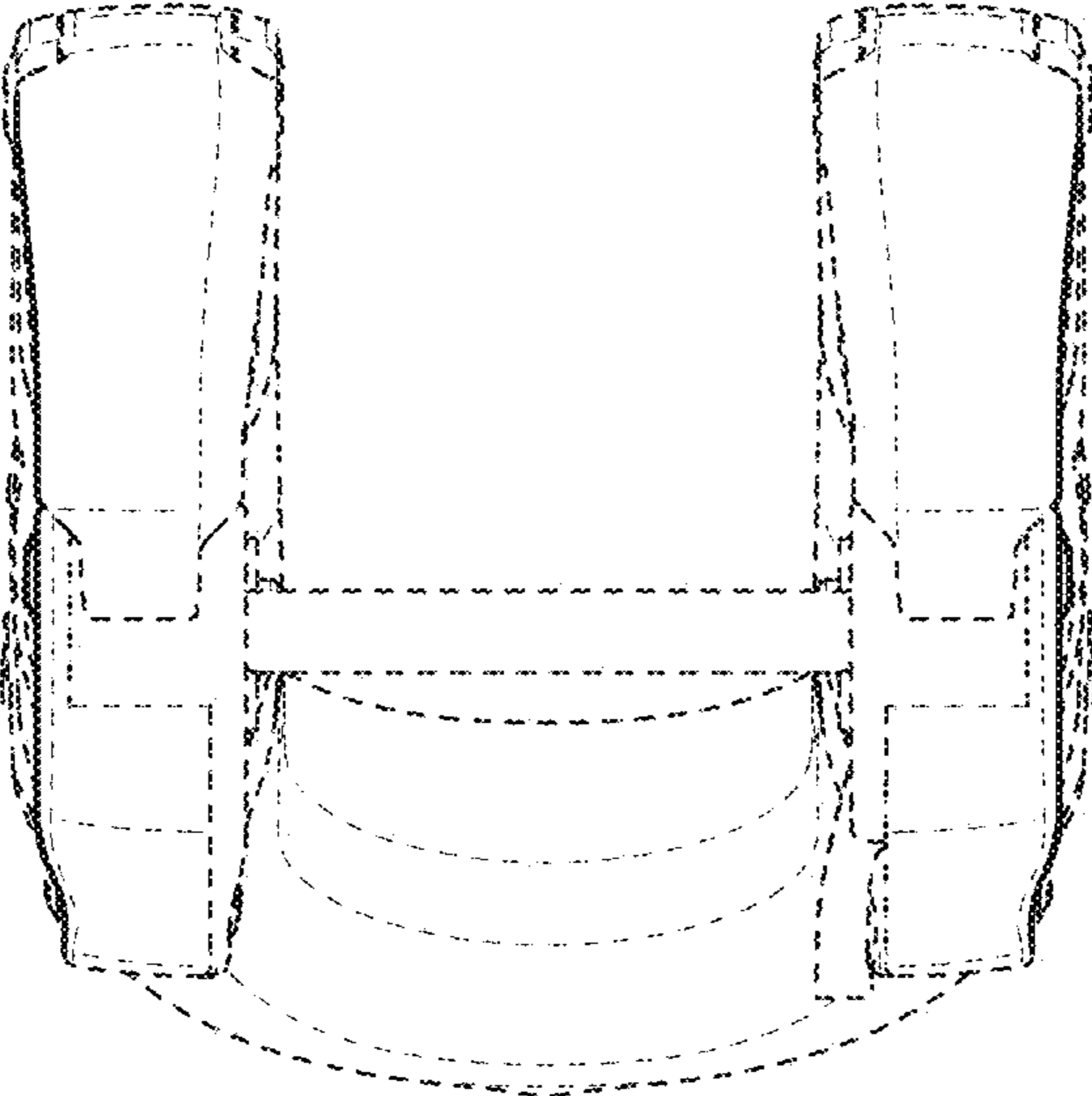


FIG. 8