



US00D880368S

(12) **United States Design Patent**
Pinnell

(10) **Patent No.:** **US D880,368 S**

(45) **Date of Patent:** **** Apr. 7, 2020**

(54) **BICYCLE CARRIER**

(71) Applicant: **Kevin Pinnell**, Charlotte, NC (US)

(72) Inventor: **Kevin Pinnell**, Charlotte, NC (US)

(**) Term: **15 Years**

(21) Appl. No.: **29/667,242**

(22) Filed: **Oct. 19, 2018**

(51) **LOC (12) Cl.** **08-10**

(52) **U.S. Cl.**
USPC **D12/115**

(58) **Field of Classification Search**
USPC D12/115, 120, 402, 406, 407, 408
CPC ... B62H 3/00; B62H 3/04; B62H 3/08; B62H
3/10; B60R 9/06; B60R 9/10
See application file for complete search history.

(56) **References Cited**

U.S. PATENT DOCUMENTS

D308,846 S *	6/1990	Eckhart	D12/408
D327,043 S *	6/1992	Ott	D12/406
D337,087 S *	7/1993	Peterman	D12/408
D352,925 S *	11/1994	Eckhart	D12/406
D399,480 S *	10/1998	Brungardt	D12/408
D411,488 S *	6/1999	Tarrence	D12/115
D554,025 S *	10/2007	Van Valkenburgh	D12/115
D605,093 S *	12/2009	Lohr	D12/115
D617,238 S *	6/2010	Ohlman	D12/115
D625,247 S *	10/2010	Flaherty	D12/408
D655,238 S *	3/2012	Vu	D12/406

D665,709 S *	8/2012	Longfellow	D12/115
D679,630 S *	4/2013	Pingel	D12/115
D713,776 S *	9/2014	Steady	B60R 9/06 D12/406
D735,091 S *	7/2015	Slaughenhaupt	D12/115
D738,264 S *	9/2015	Williams	D12/115
D767,452 S *	9/2016	Greenblatt	D12/115
D774,422 S *	12/2016	Greenblatt	D12/115
D774,441 S *	12/2016	Greenblatt	D12/115
D774,982 S *	12/2016	Reeder	D12/115
D784,207 S *	4/2017	Mirth	D12/115
D784,245 S *	4/2017	Mayers	D12/115
D825,396 S *	8/2018	van Straaten	D12/115

* cited by examiner

Primary Examiner — Michelle E. Wilson

Assistant Examiner — Clese Moore, Jr.

(74) *Attorney, Agent, or Firm* — Oliff PLC; R. Brian Drozd

(57) **CLAIM**

The ornamental design for a bicycle carrier, as shown and described.

DESCRIPTION

FIG. 1 is a perspective view of the bicycle carrier;
FIG. 2 is a front view;
FIG. 3 is a rear view;
FIG. 4 is a top view;
FIG. 5 is a bottom view;
FIG. 6 is a right side view; and,
FIG. 7 is a left side view.

1 Claim, 7 Drawing Sheets

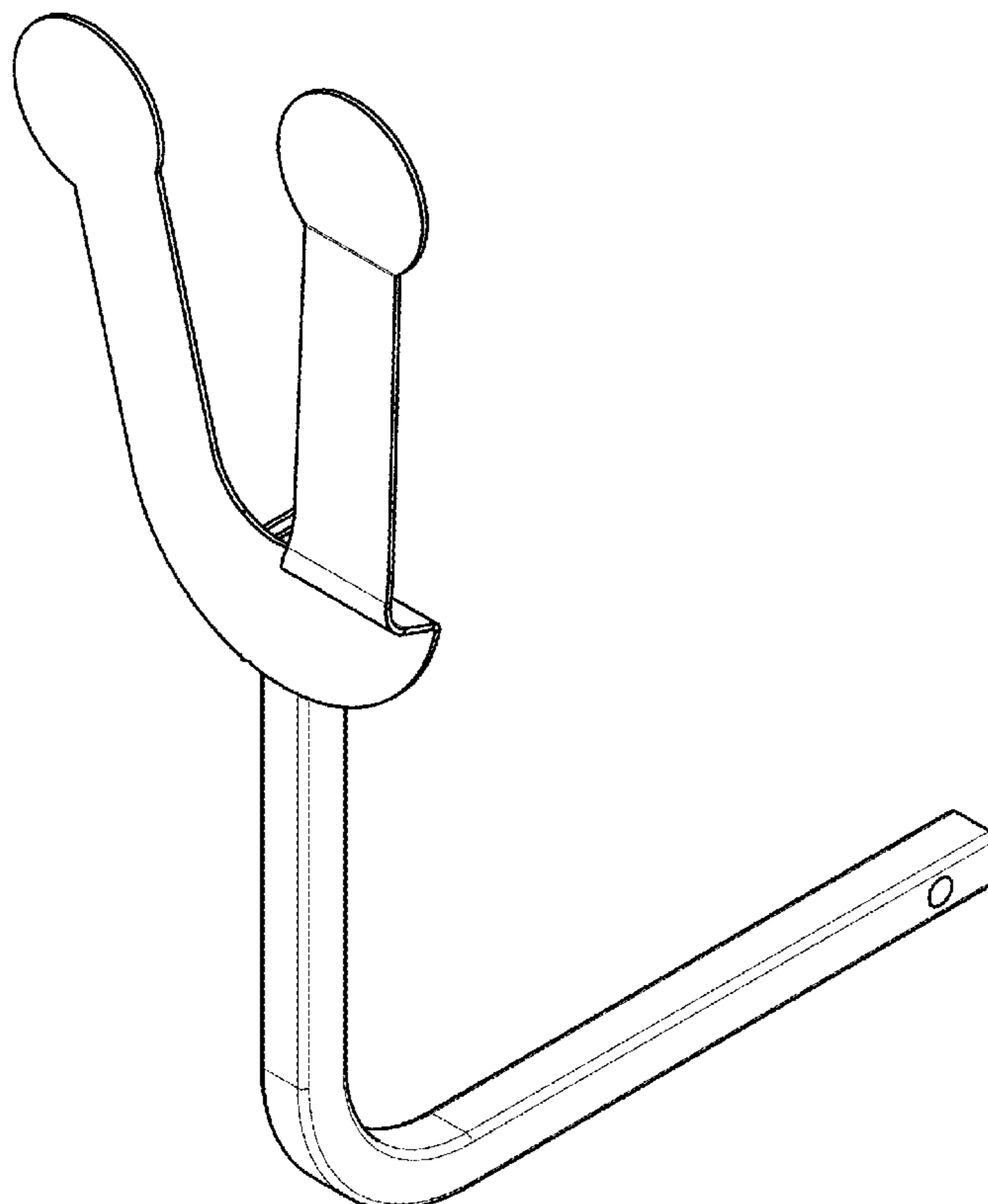


FIG. 1

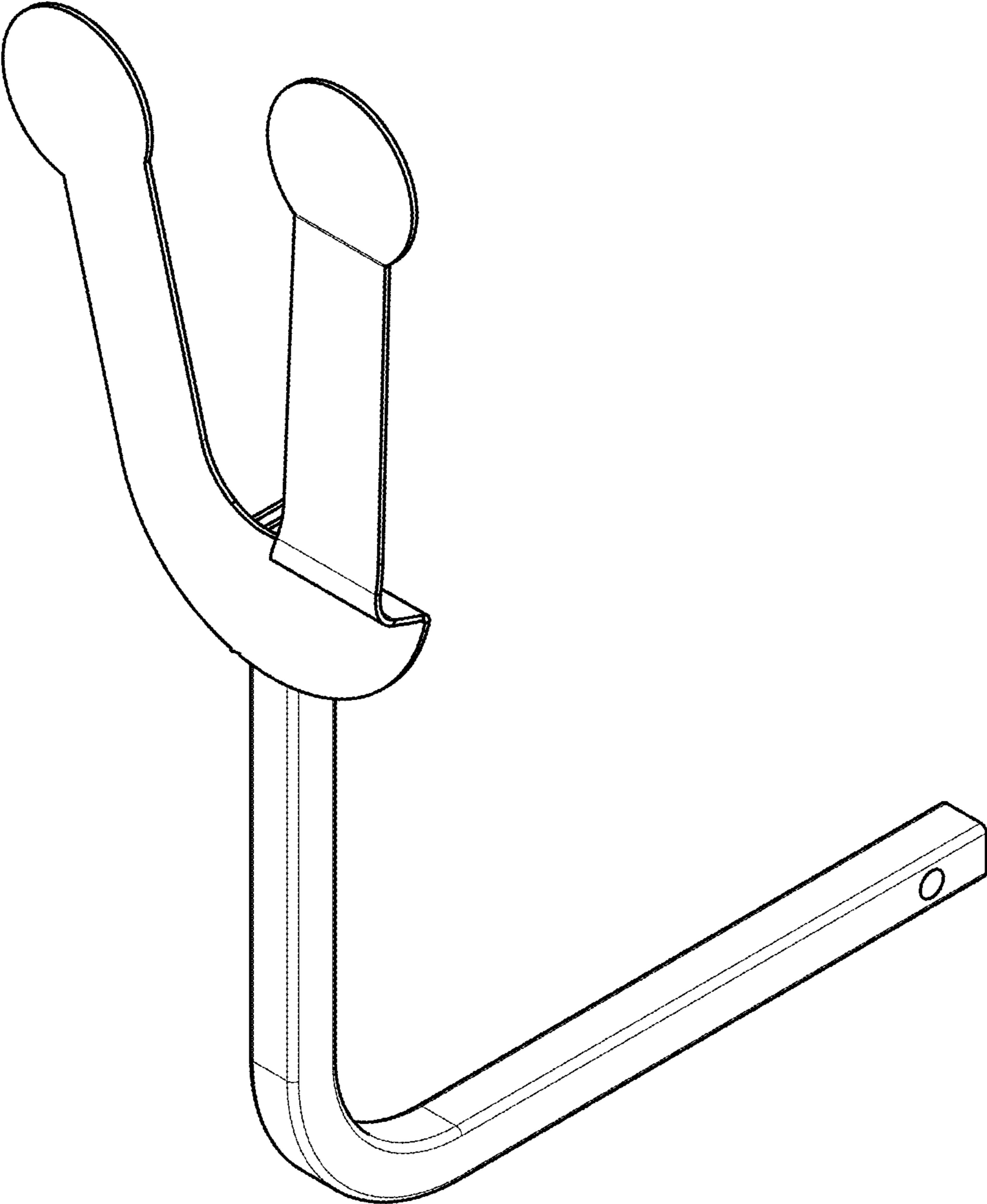


FIG. 2

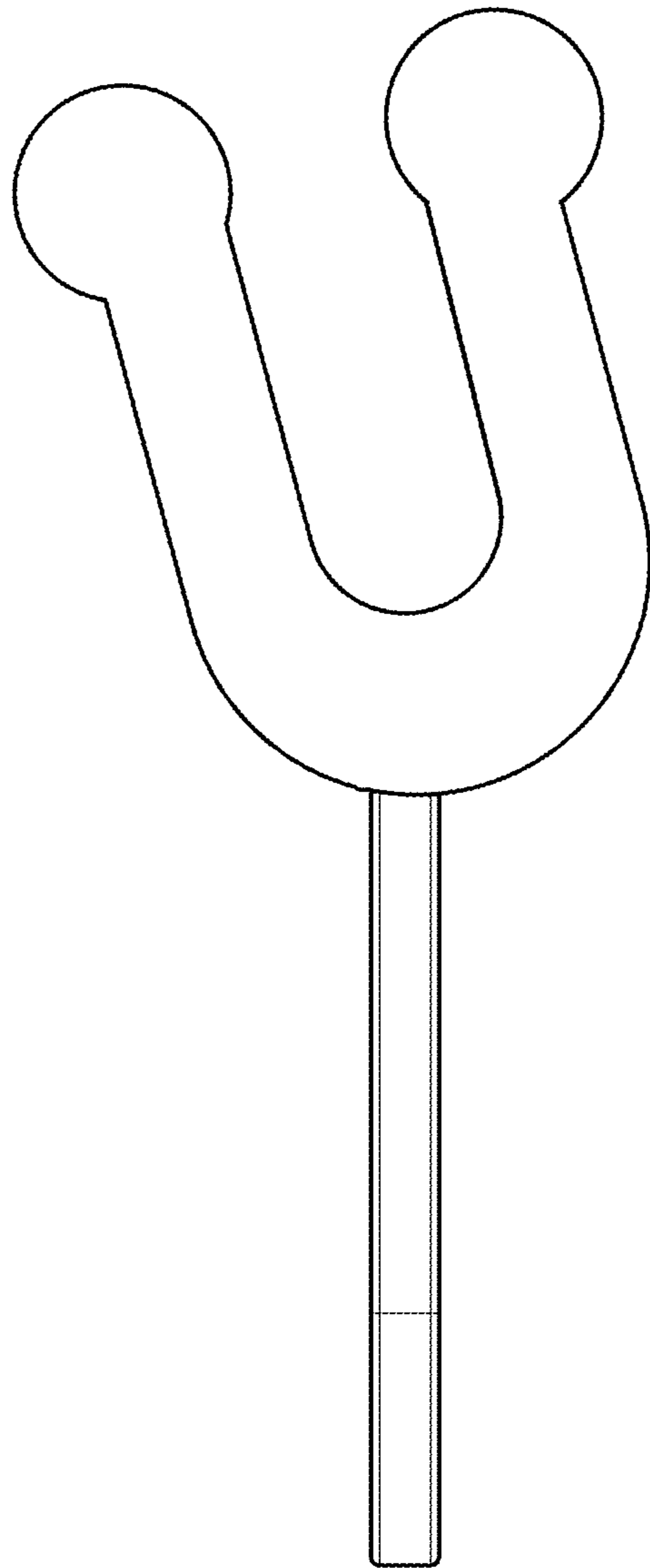


FIG. 3

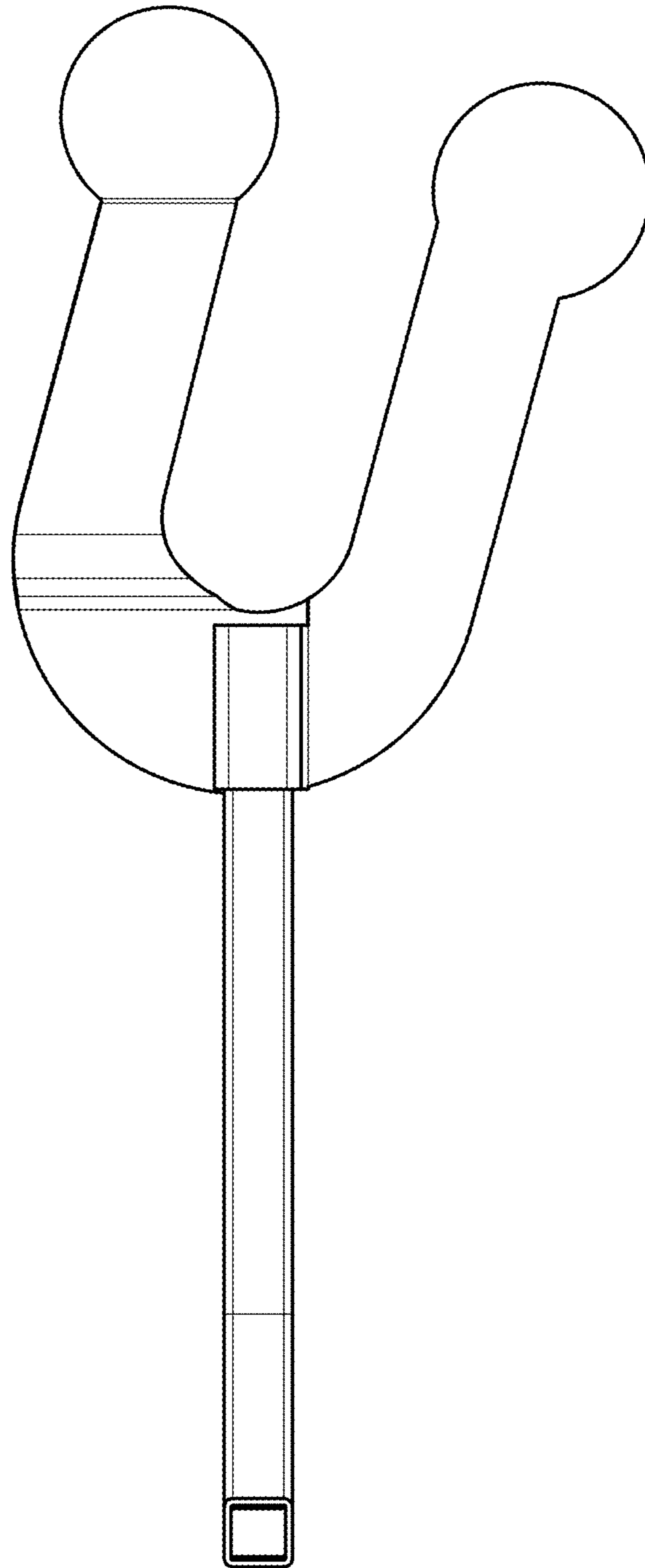


FIG. 4

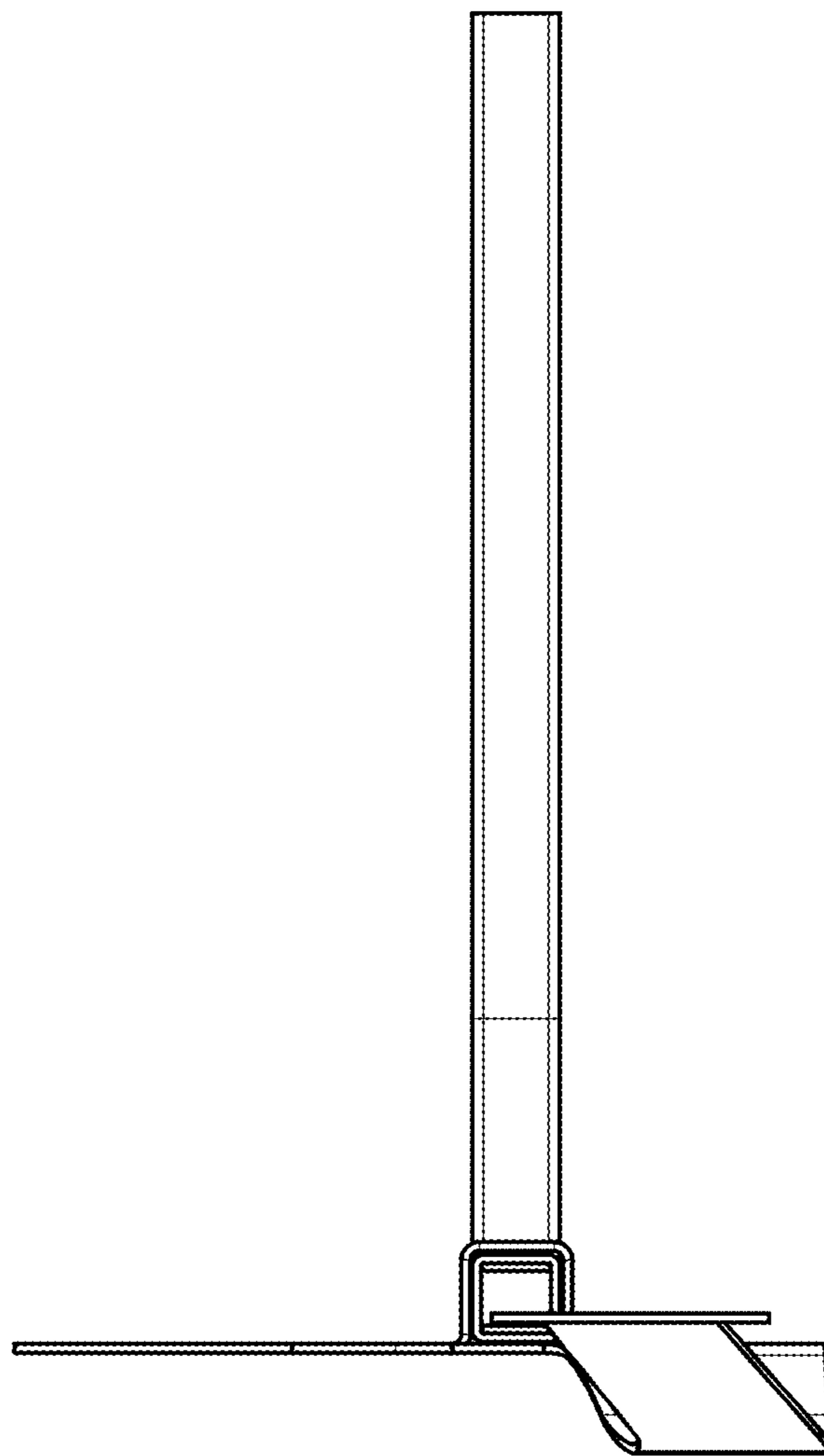


FIG. 5

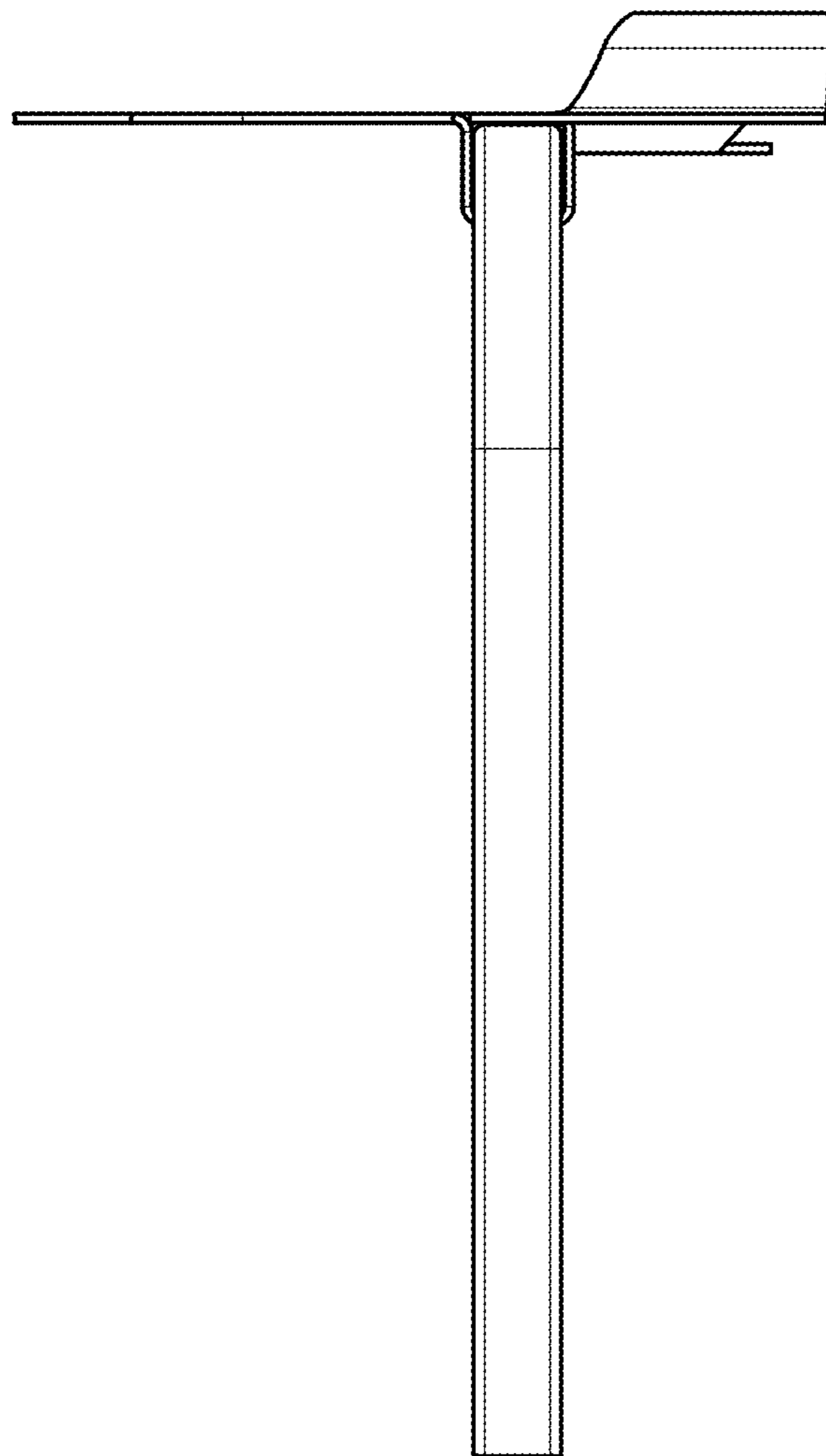


FIG. 6

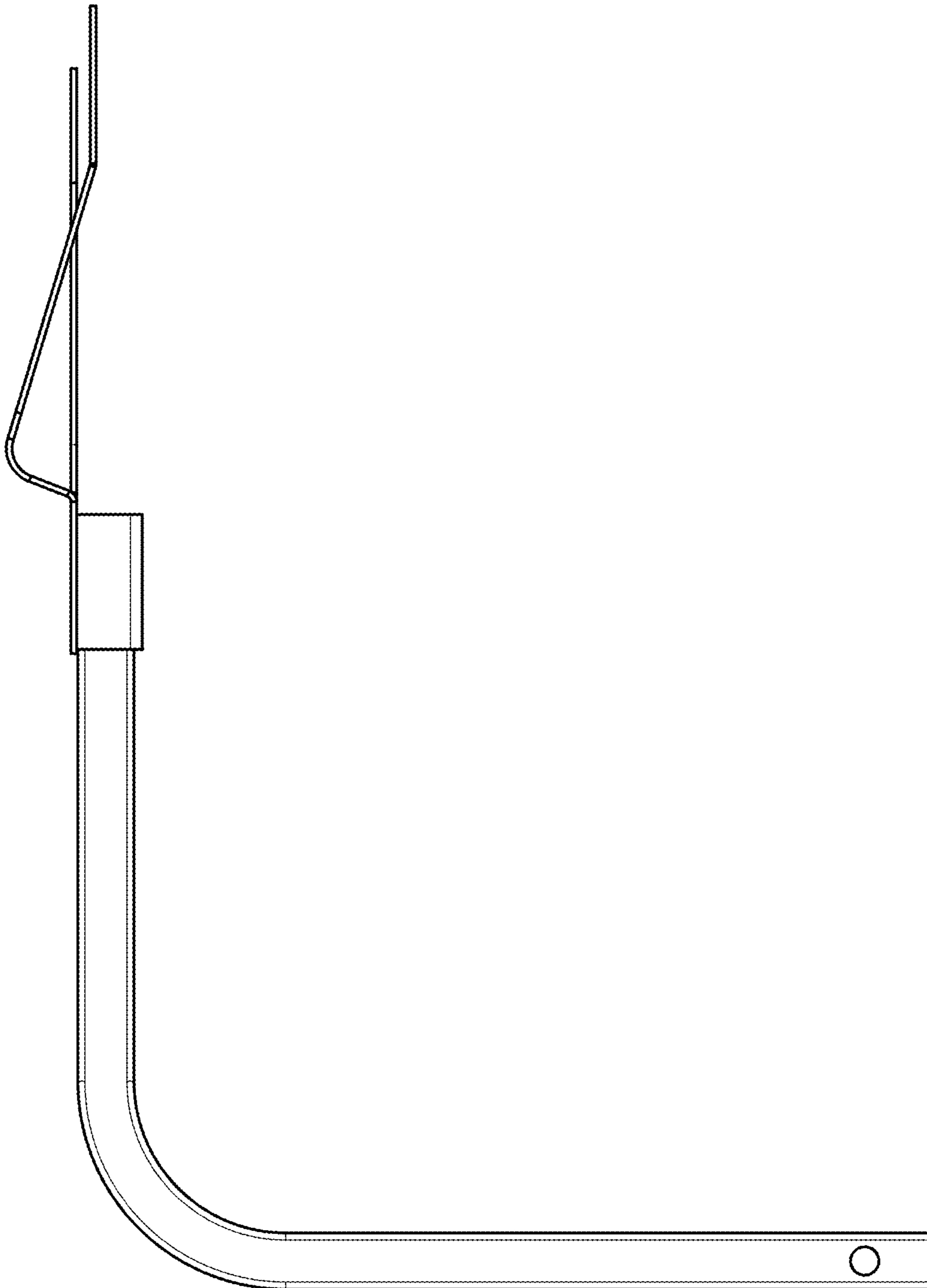


FIG. 7

