



US00D880364S

(12) **United States Design Patent**
Nagao et al.

(10) **Patent No.:** **US D880,364 S**

(45) **Date of Patent:** **** Apr. 7, 2020**

(54) **MOTORCYCLE**

CPC B62K 11/00; B62K 11/02; B62K 11/04;
B62K 11/10; B62K 17/00; B62K 19/00;
B62K 2202/00

(71) Applicant: **Harley-Davidson Motor Company Group, LLC**, Milwaukee, WI (US)

See application file for complete search history.

(72) Inventors: **Dais Nagao**, Menomonee Falls, WI (US); **Mark Daniels**, Mequon, WI (US); **Frank Savage**, Fox Point, WI (US); **Brad Richards**, Grafton, WI (US); **John Wolanski**, Fox Point, WI (US); **Brent Ahlers**, Muskego, WI (US); **Michael DeCaluwe**, Jackson, WI (US); **Alexander John Bozmoski**, Brookfield, WI (US); **Jeffrey Smith**, Waukesha, WI (US); **Terry Rumpel**, West Bend, WI (US); **Brendon Smith**, Milwaukee, WI (US); **Timothy McChesney**, Kewaskum, WI (US); **Joseph Dennert**, Waukesha, WI (US); **Michael Case**, Hartland, WI (US); **Kyle Wick**, Menomonee Falls, WI (US); **Matthew Paradise**, Milwaukee, WI (US); **Jeremy Lenzendorf**, West Bend, WI (US); **Carl Hoy**, Hartford, WI (US); **Richard Bradatsch**, Menomonee Falls, WI (US); **Michael Carlin**, Sussex, WI (US); **Matthew Mueller**, Wauwatosa, WI (US); **Scott Matthews**, Franklin, WI (US)

(56) **References Cited**

U.S. PATENT DOCUMENTS

D383,096 S 9/1997 Abe et al.
D444,103 S 6/2001 Robb et al.
D456,748 S * 5/2002 Keating D12/110
(Continued)

OTHER PUBLICATIONS

Chris Cope. "Everything We Know About the Harley-Davidson Pan America 1250." The Motorcycle Obsession., Jul. 31, 2018 [online], [retrieved on Jul. 30, 2018]. Retrieved from the Internet <URL: <https://themotorcycleobsession.com/2018/07/31/everything-we-know-about-the-harley-davidson-pan-america-1250/>>.*

(Continued)

Primary Examiner — Darlington Ly

(74) *Attorney, Agent, or Firm* — Foley & Lardner LLP

(57) **CLAIM**

We claim the ornamental design for a motorcycle, as shown and described.

DESCRIPTION

FIG. 1 is a top, front, left perspective view of the claimed design;
FIG. 2 is a left side elevation view thereof;
FIG. 3 is a right side elevation view thereof;
FIG. 4 is a front elevation view thereof;
FIG. 5 is a rear elevation view thereof;
FIG. 6 is a top plan view thereof; and,
FIG. 7 is a bottom plan view thereof.
The broken lines in the drawings illustrate portions of the motorcycle that form no part of the claimed design.

1 Claim, 7 Drawing Sheets

(73) Assignee: **Harley-Davidson Motor Company Group, LLC**, Milwaukee, WI (US)

(**) Term: **15 Years**

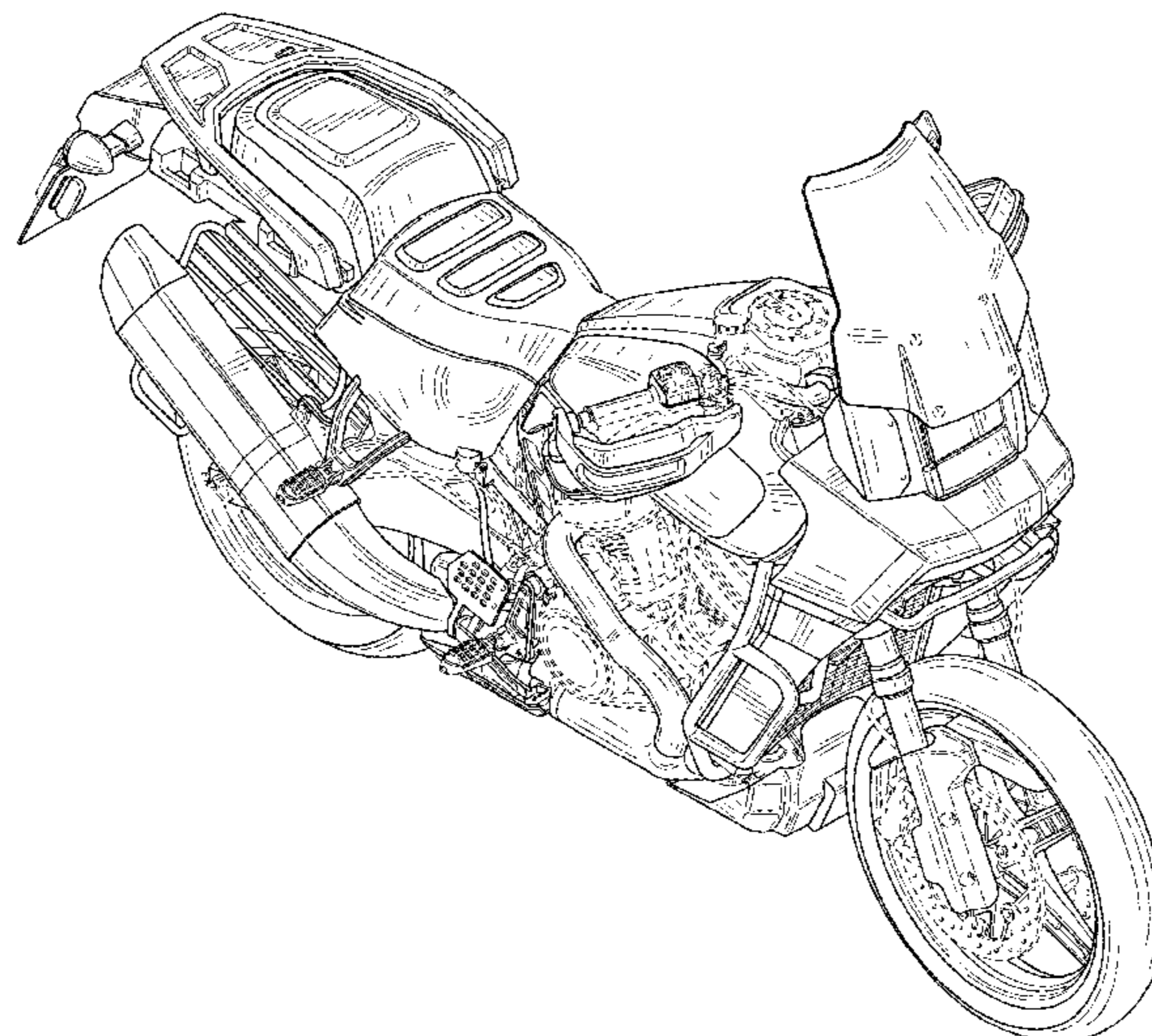
(21) Appl. No.: **29/658,284**

(22) Filed: **Jul. 30, 2018**

(51) **LOC (12) Cl.** **12-11**

(52) **U.S. Cl.**
USPC **D12/110**

(58) **Field of Classification Search**
USPC D12/110, 111, 117; D21/432, 538



(56)

References Cited

U.S. PATENT DOCUMENTS

D482,640 S * 11/2003 TaMuRa D12/110
 D504,640 S * 5/2005 Conte D12/110
 D516,468 S 3/2006 Kuboshima et al.
 D517,957 S 3/2006 Savage et al.
 D525,919 S * 8/2006 Sugimoto D12/110
 D543,905 S 6/2007 Domergue
 D544,816 S 6/2007 Davidson et al.
 D582,318 S 12/2008 Kishi et al.
 D610,044 S * 2/2010 Sugimoto D12/110
 D723,979 S 3/2015 Yu
 D753,024 S * 4/2016 Futamata D12/110
 D753,552 S 4/2016 McGinley et al.
 D755,682 S * 5/2016 Hahn-Woernle D12/110
 D758,925 S * 6/2016 Tamura D12/110
 D766,135 S * 9/2016 Davidson D12/110
 D774,964 S 12/2016 Akashi
 D776,013 S 1/2017 Kiska
 D776,575 S 1/2017 Kiska

9,694,870 B2 * 7/2017 Kawai B62K 25/04
 D793,285 S 8/2017 Toyama
 D796,384 S 9/2017 Galluzzi
 D796,385 S 9/2017 Galluzzi
 D805,439 S * 12/2017 Hohdorf D12/110
 9,855,937 B2 * 1/2018 Ishii B62L 3/023
 D811,945 S * 3/2018 Laliberte D12/110
 2014/0291051 A1 10/2014 Yoshida

OTHER PUBLICATIONS

Miller, Marylou, "First look at the 2020 Harley-Davidson Streetfighter." Clement Cycling, Jan. 27, 2019, <https://clementcycling.com/2020-harley-davidson-streetfighter/>, 3 pages.
 Waheed, Adam, "The New Sportster? 2020 Harley-Davidson 1,250cc Custom Preview", Motorcyclist, Jul. 30, 2018, <https://www.motorcyclistonline.com/new-sportster-2020-harley-davidson-1250cc-custom-preview/>, 3 pages.

* cited by examiner

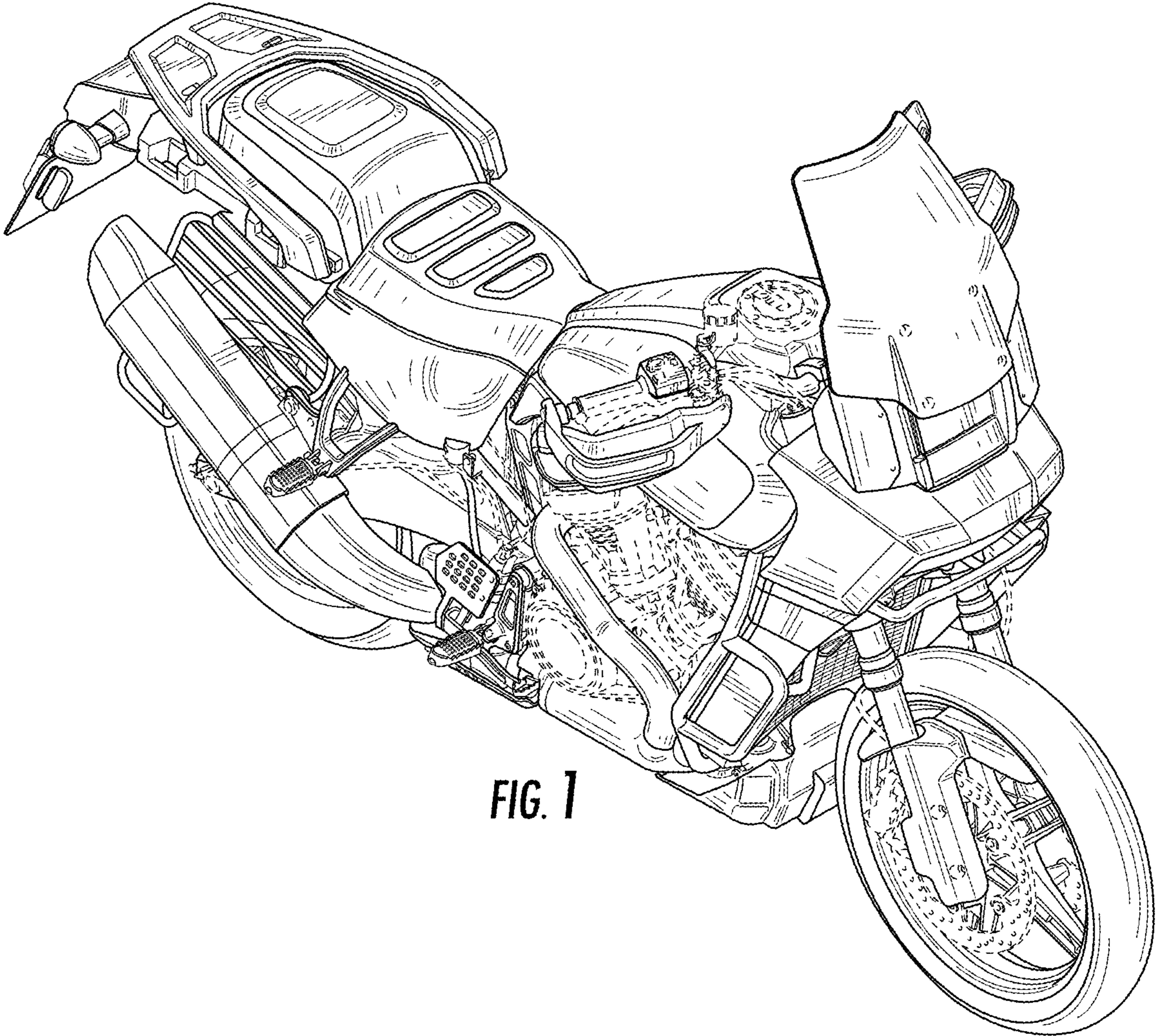


FIG. 1

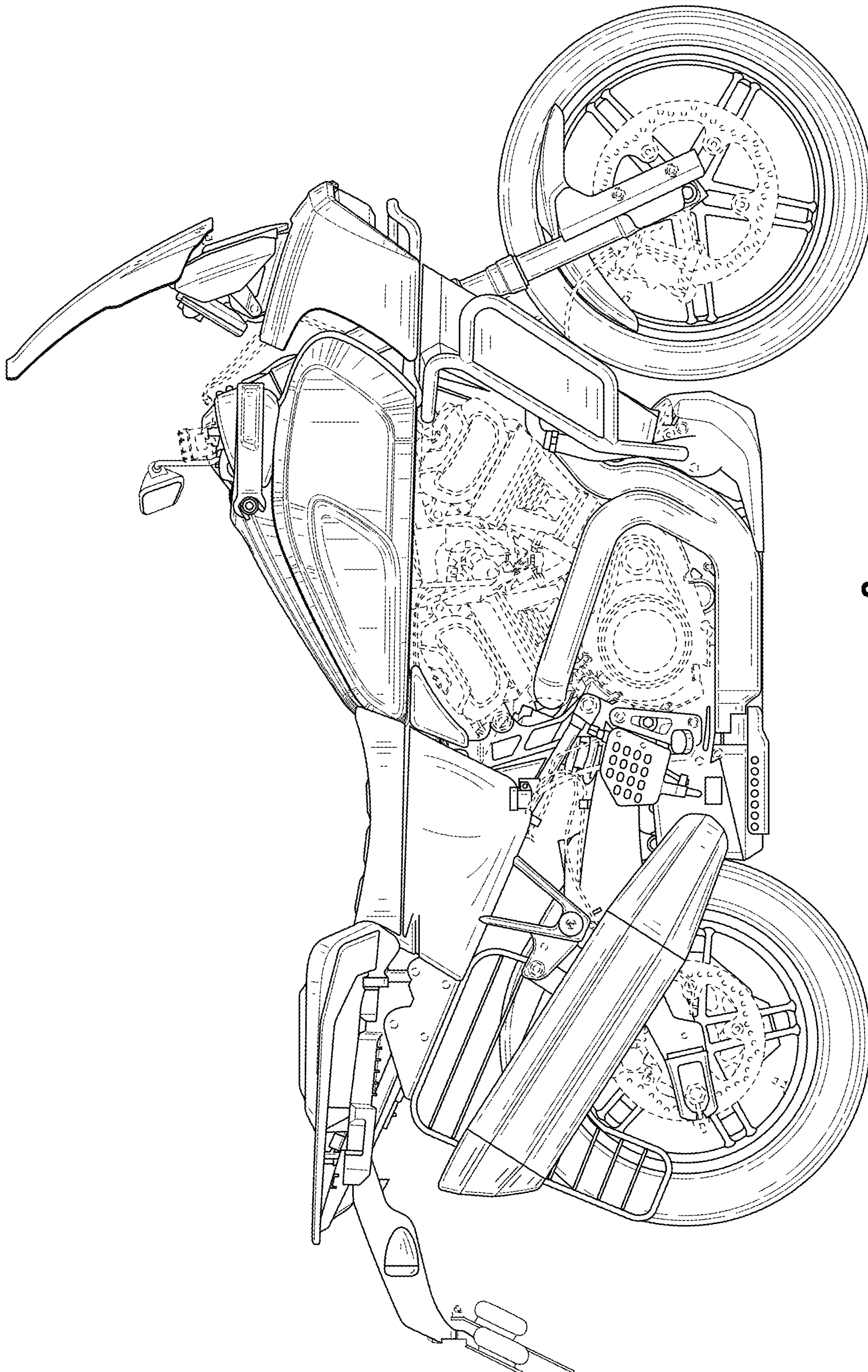


FIG. 2

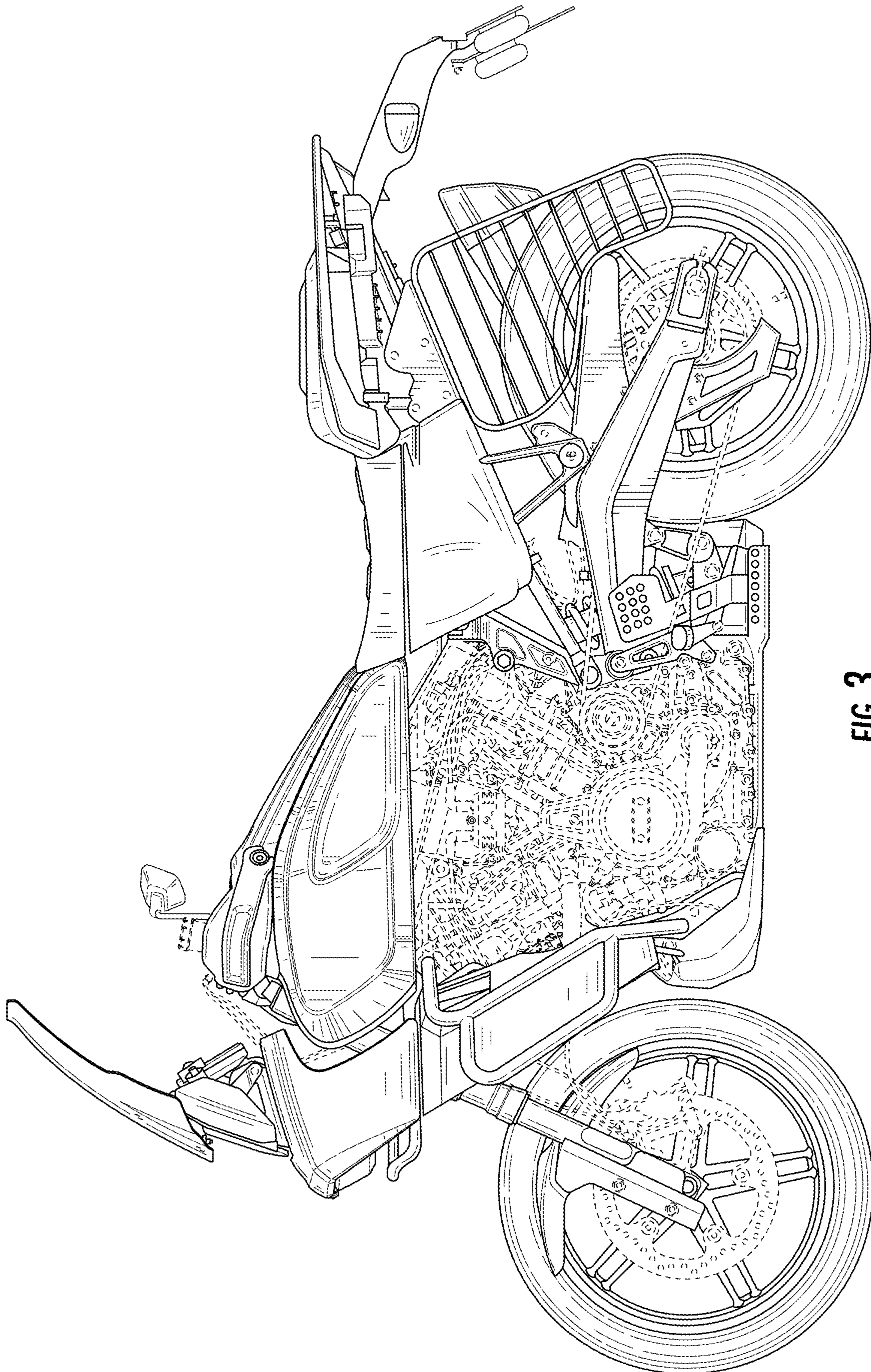


FIG. 3

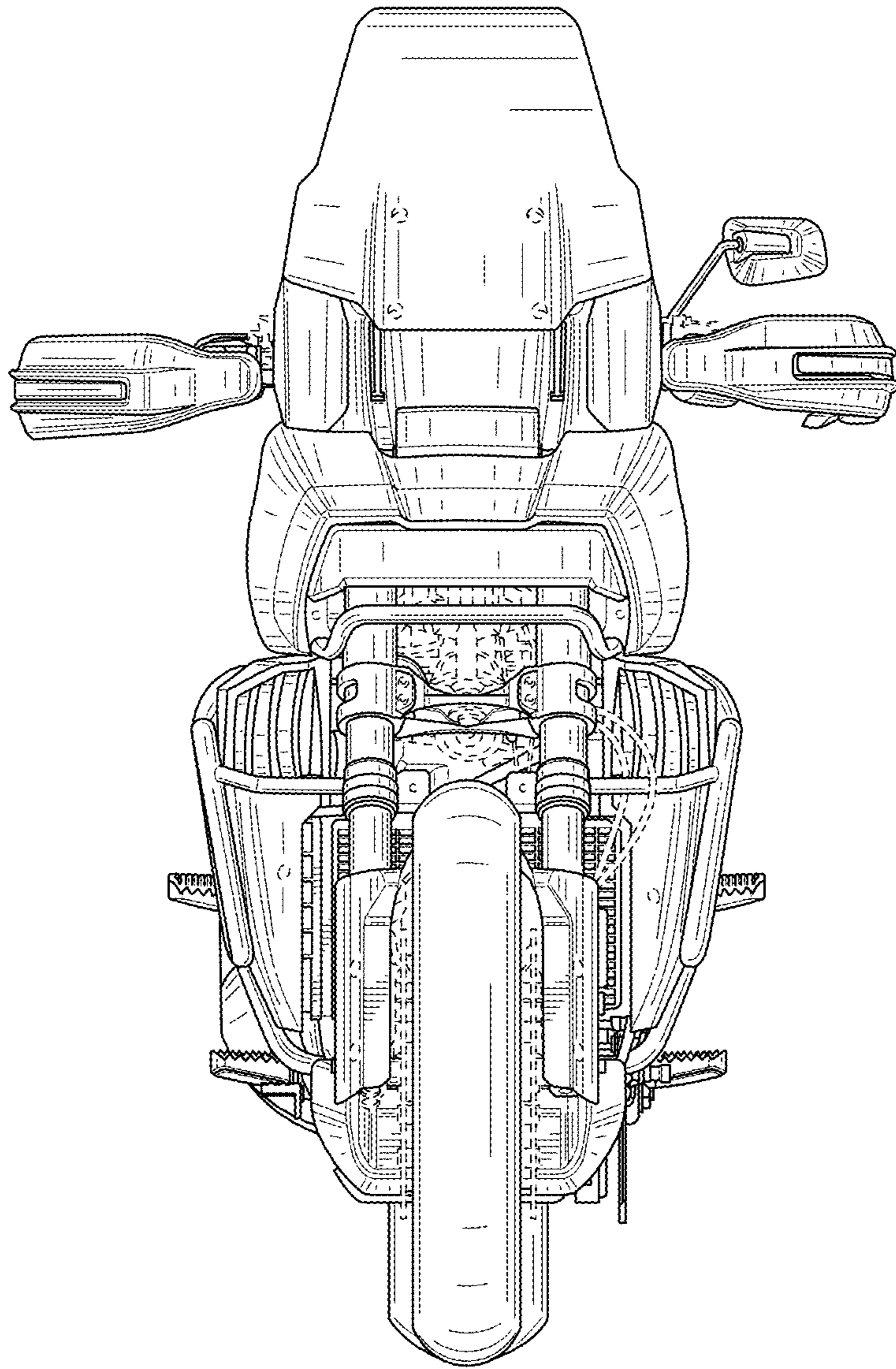


FIG. 4

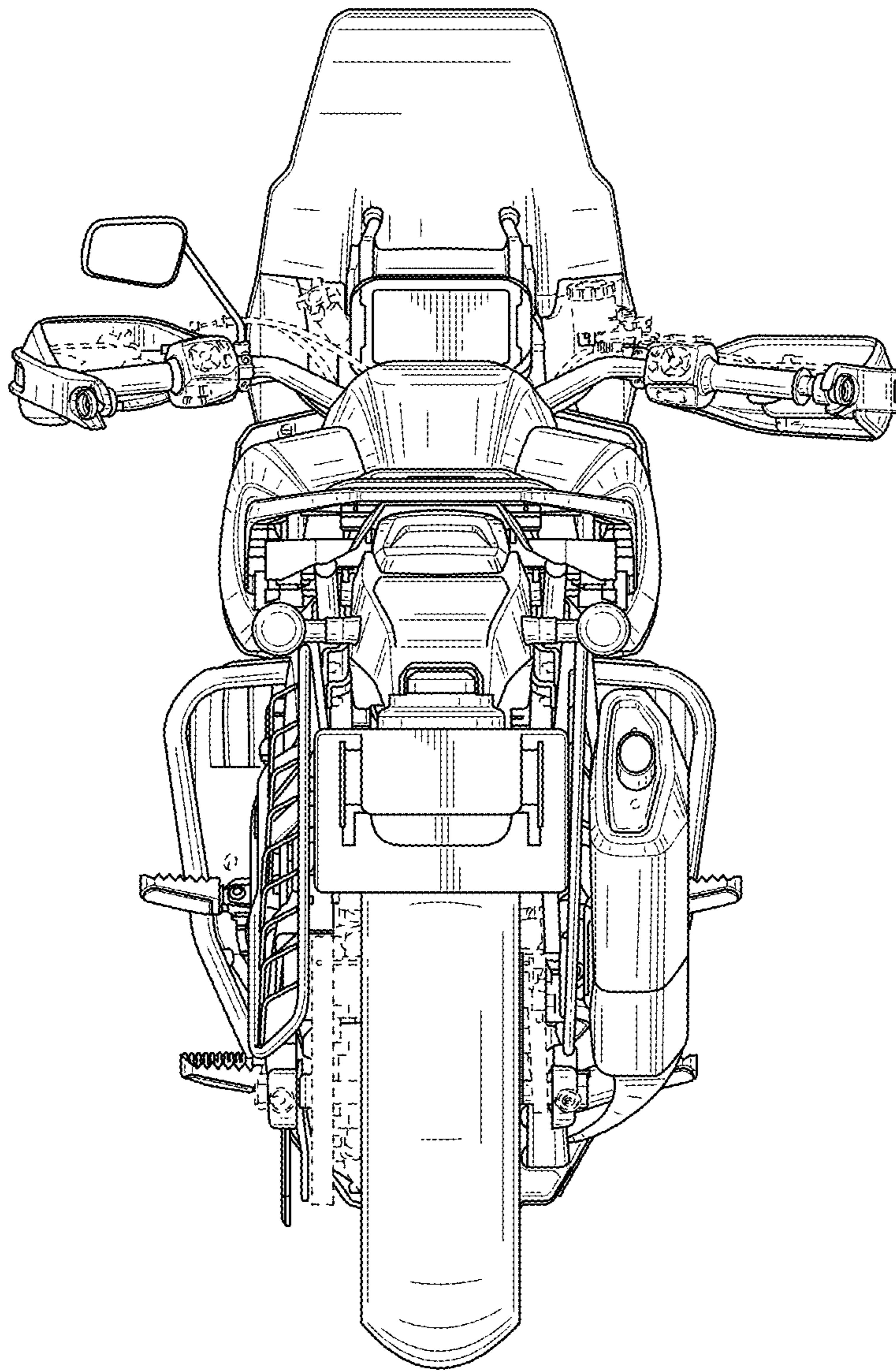
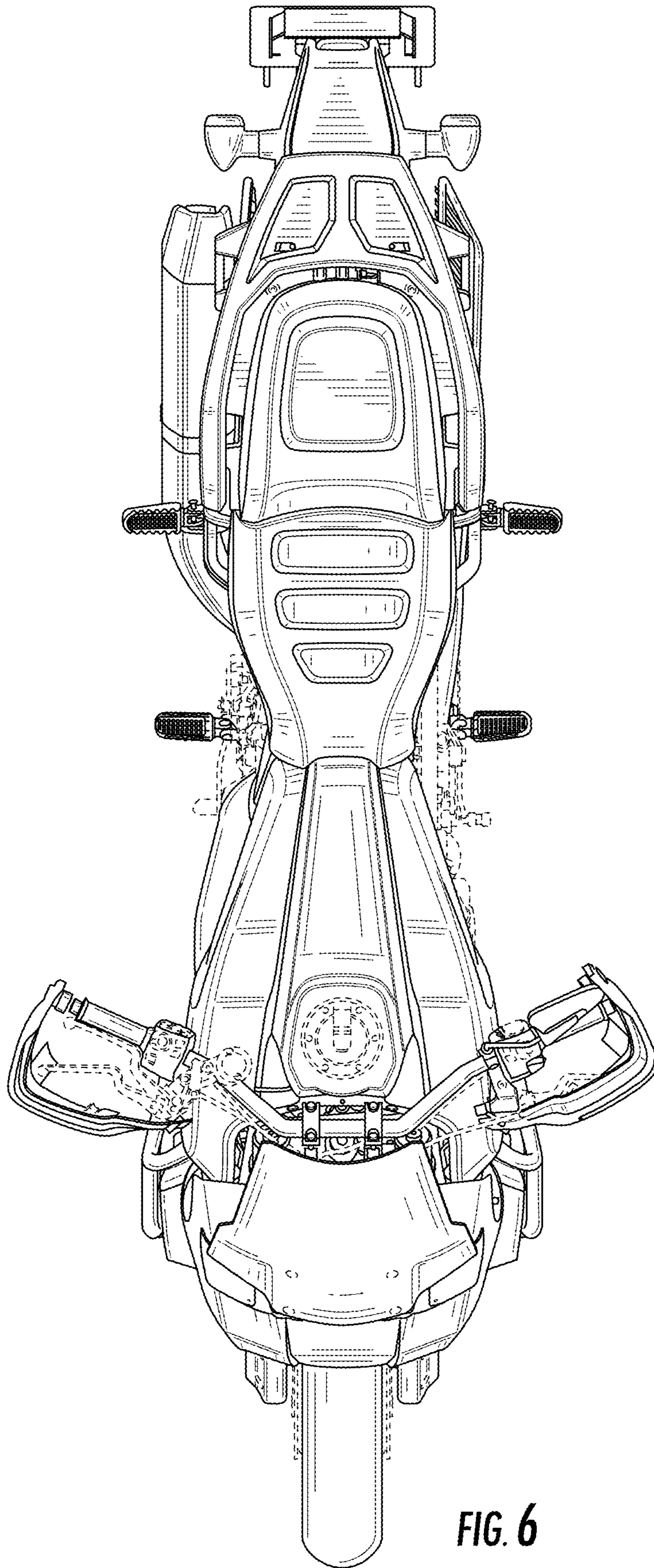


FIG. 5



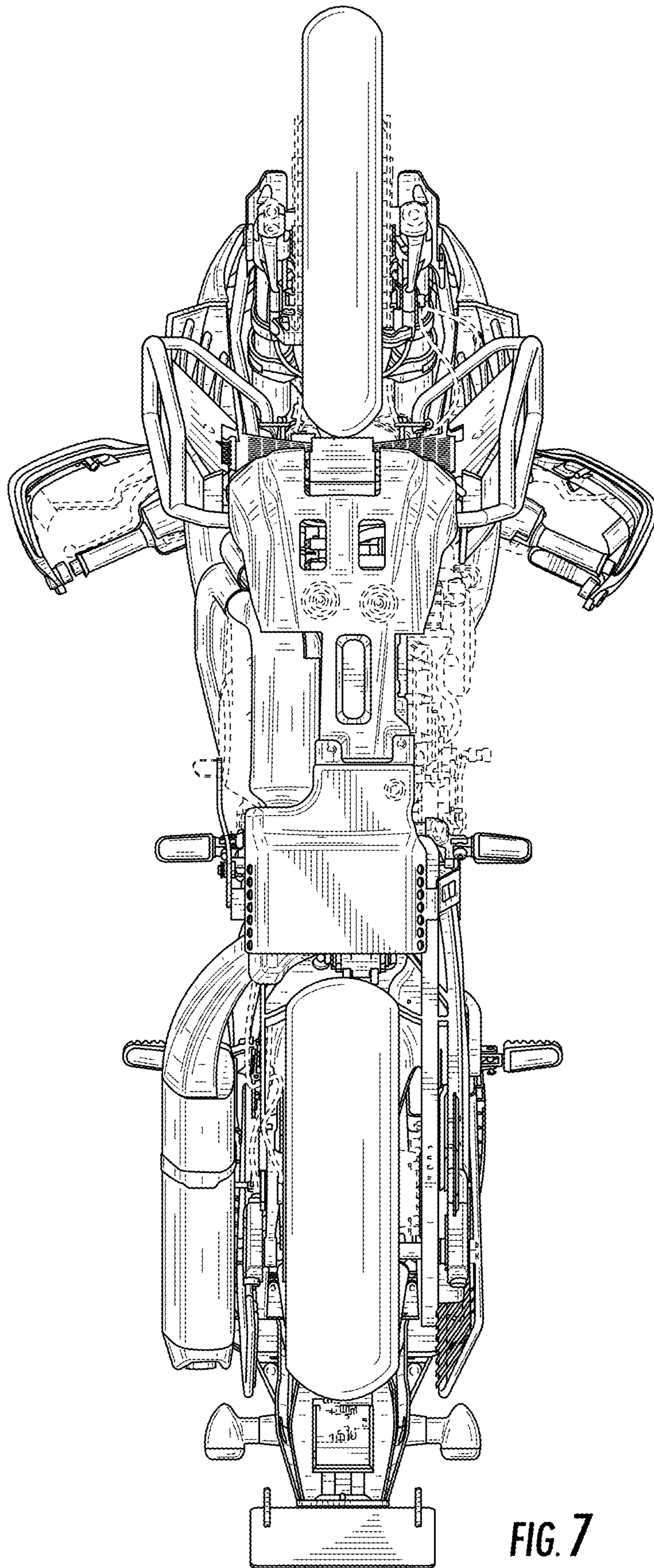


FIG. 7