



US00D880363S

(12) **United States Design Patent**  
**Guenther**

(10) **Patent No.:** **US D880,363 S**

(45) **Date of Patent:** **\*\* Apr. 7, 2020**

- (54) **BELLY DUMP TRAILER**
- (71) Applicant: **Ampla Group, Inc.**, Elmendorf, TX (US)
- (72) Inventor: **Jacob Froese Guenther**, Cusihuriachi (MX)
- (73) Assignee: **Ampla Group, Inc.**, Vinton, TX (US)

2007/0188010	A1*	8/2007	Miller	.....	B60P 1/56 298/29
2009/0085394	A1*	4/2009	Lemmons	.....	B60P 1/56 298/27
2012/0212032	A1*	8/2012	Hauth	.....	B60P 1/56 298/38
2013/0004274	A1*	1/2013	Engle	.....	B60P 1/56 414/520

(\*\*) Term: **15 Years**

(21) Appl. No.: **29/576,950**

- (22) Filed: **Sep. 8, 2016**
- (51) **LOC (12) Cl.** ..... **12-10**
- (52) **U.S. Cl.**  
USPC ..... **D12/95**
- (58) **Field of Classification Search**  
USPC .... D12/93, 94, 95, 96, 97, 98, 99, 100, 400,  
D12/406, 412, 413, 414, 414.1, 101-106;  
D15/27  
CPC .. B60P 1/56; B61P 3/222; B61P 3/224; B61D  
7/04; B61D 7/07; B23K 31/02  
See application file for complete search history.

(56) **References Cited**

**U.S. PATENT DOCUMENTS**

3,298,745	A *	1/1967	Czapiewski	.....	B60P 1/56 105/240
3,310,345	A *	3/1967	Rowden	.....	B60P 1/60 105/250
D220,174	S *	3/1971	Holland	.....	D12/97
3,896,947	A *	7/1975	Pearce	.....	B60P 1/006 222/517
4,348,047	A *	9/1982	Harshman	.....	B60P 1/56 105/247
D337,080	S *	7/1993	Schlake	.....	D12/95
6,164,866	A *	12/2000	Wulff	.....	B60P 1/56 404/104
D783,458	S *	4/2017	Pistacchio	.....	D12/101
2001/0002766	A1*	6/2001	Friesen	.....	B60P 1/56 298/27

**OTHER PUBLICATIONS**

Facebook.com. "Durahaul. Jul. 13, 2016." Uploaded Jul. 13, 2016. Retrieved May 19, 2017. (<https://www.facebook.com/durahaul/videos/658937774255347>).\*

Durahaul.com. "XLT Belly Dump." Retrieved May 19, 2017. (<http://www.durahaul.com/products/204tandemlowprofilelightweightbellydump>).\*

\* cited by examiner

*Primary Examiner* — Susan E Krakower  
*Assistant Examiner* — Jerry Shiuan-Hua Hsu  
 (74) *Attorney, Agent, or Firm* — Miguel Villarreal, Jr.;  
 Gunn, Lee & Cave, P.C.

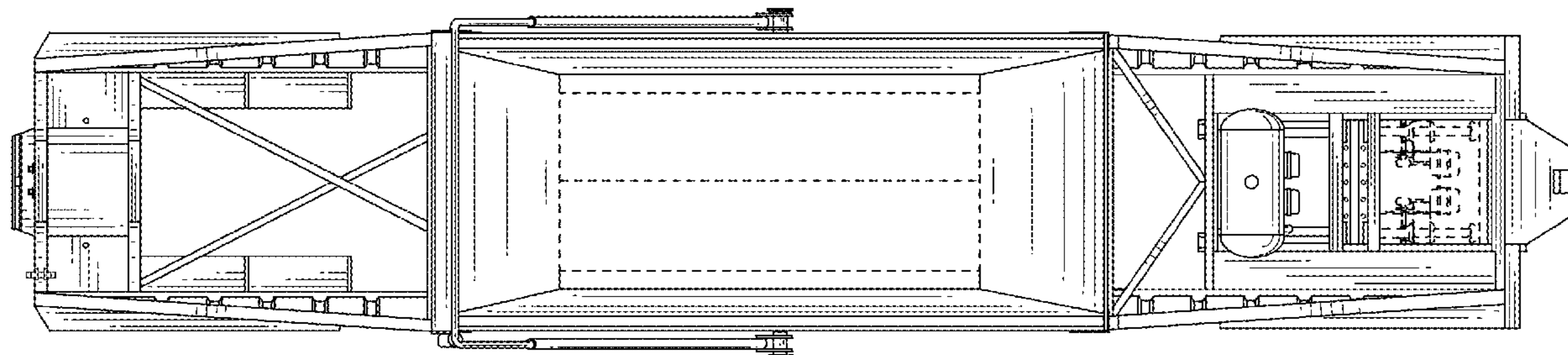
(57) **CLAIM**

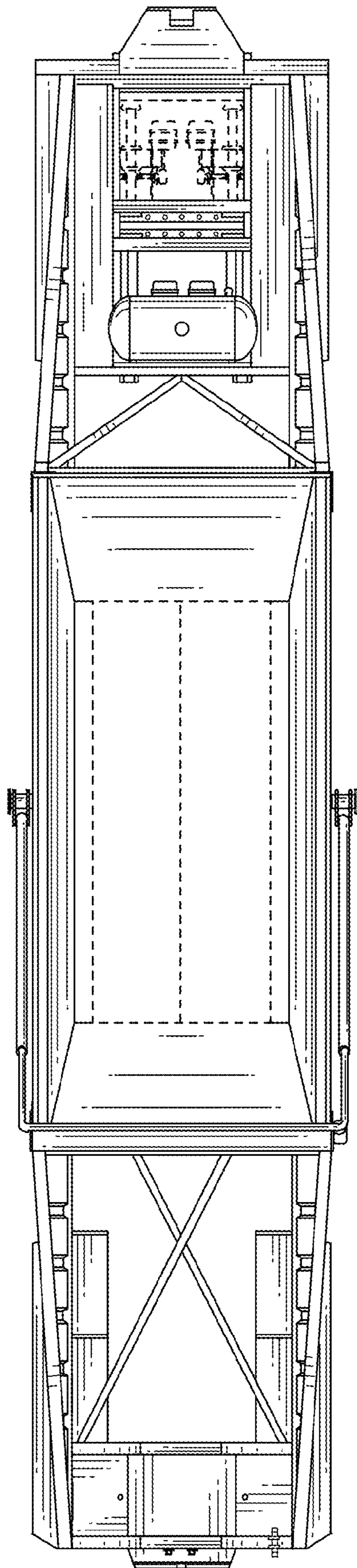
An ornamental design for a belly dump trailer, as shown and described.

**DESCRIPTION**

FIG. 1 is a top view of a belly dump trailer showing my new design.  
 FIG. 2 is a right-side elevation of FIG. 1.  
 FIG. 3 is a left-side elevation view of FIG. 1.  
 FIG. 4 is a front view of FIG. 1.  
 FIG. 5 is a back view of FIG. 1.  
 FIG. 6 is a bottom view of FIG. 1; and,  
 FIG. 7 is a rear perspective view of FIG. 1.  
 The broken lines illustrate portions of the belly dump trailer that form no part of the claimed design.

**1 Claim, 6 Drawing Sheets**





*Fig. 1*

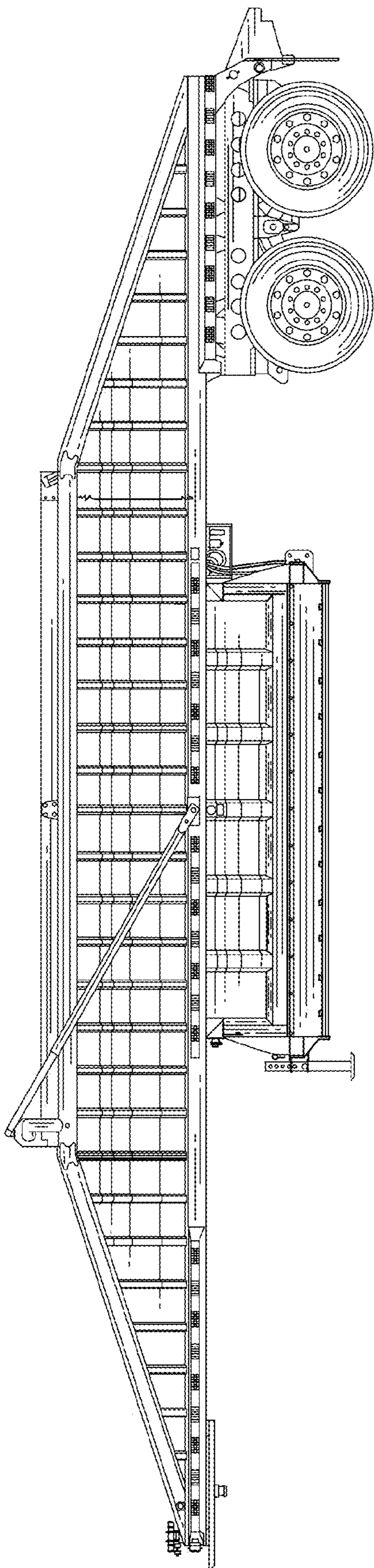


Fig. 2

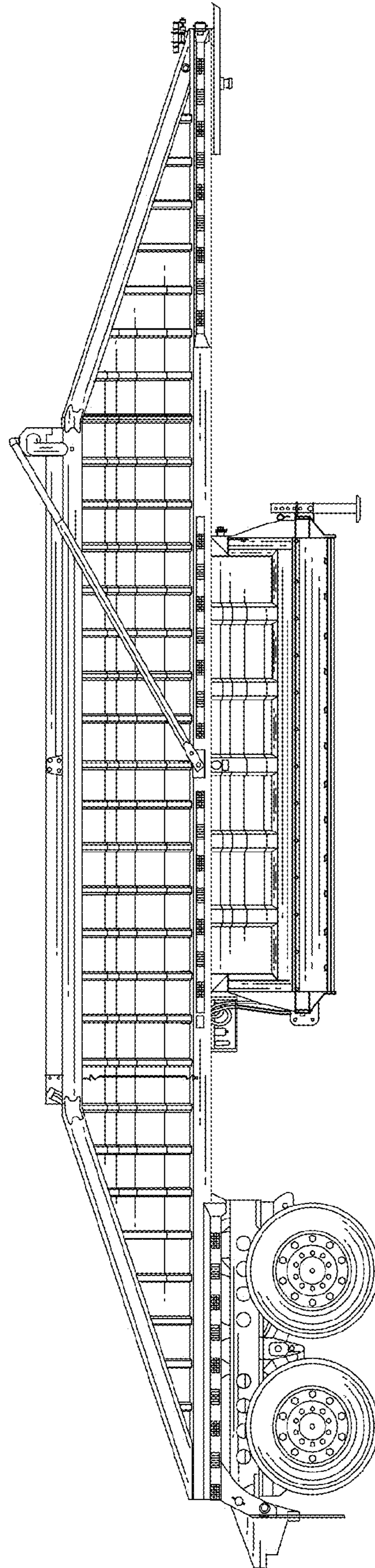
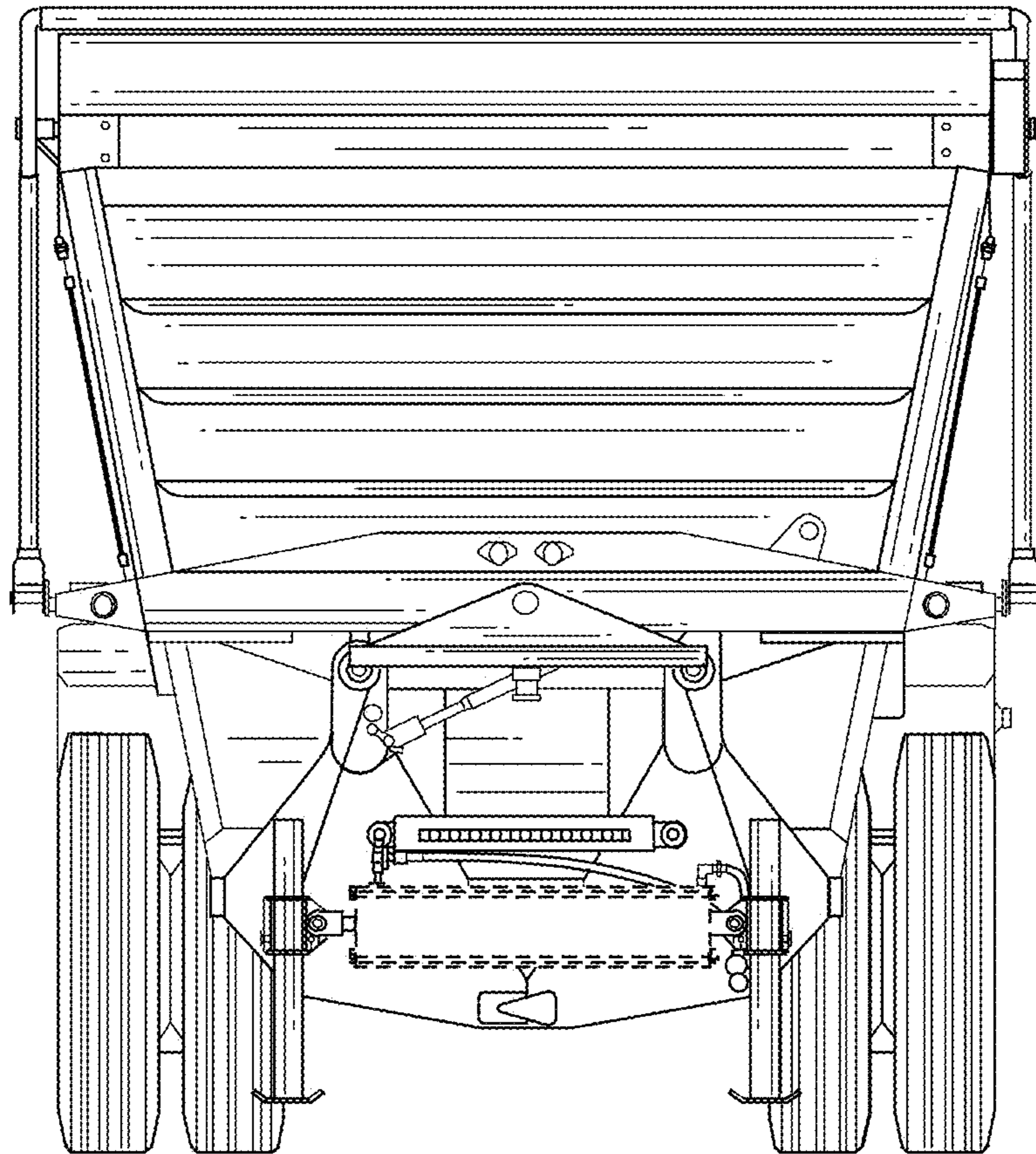


Fig. 3



*Fig. 4*

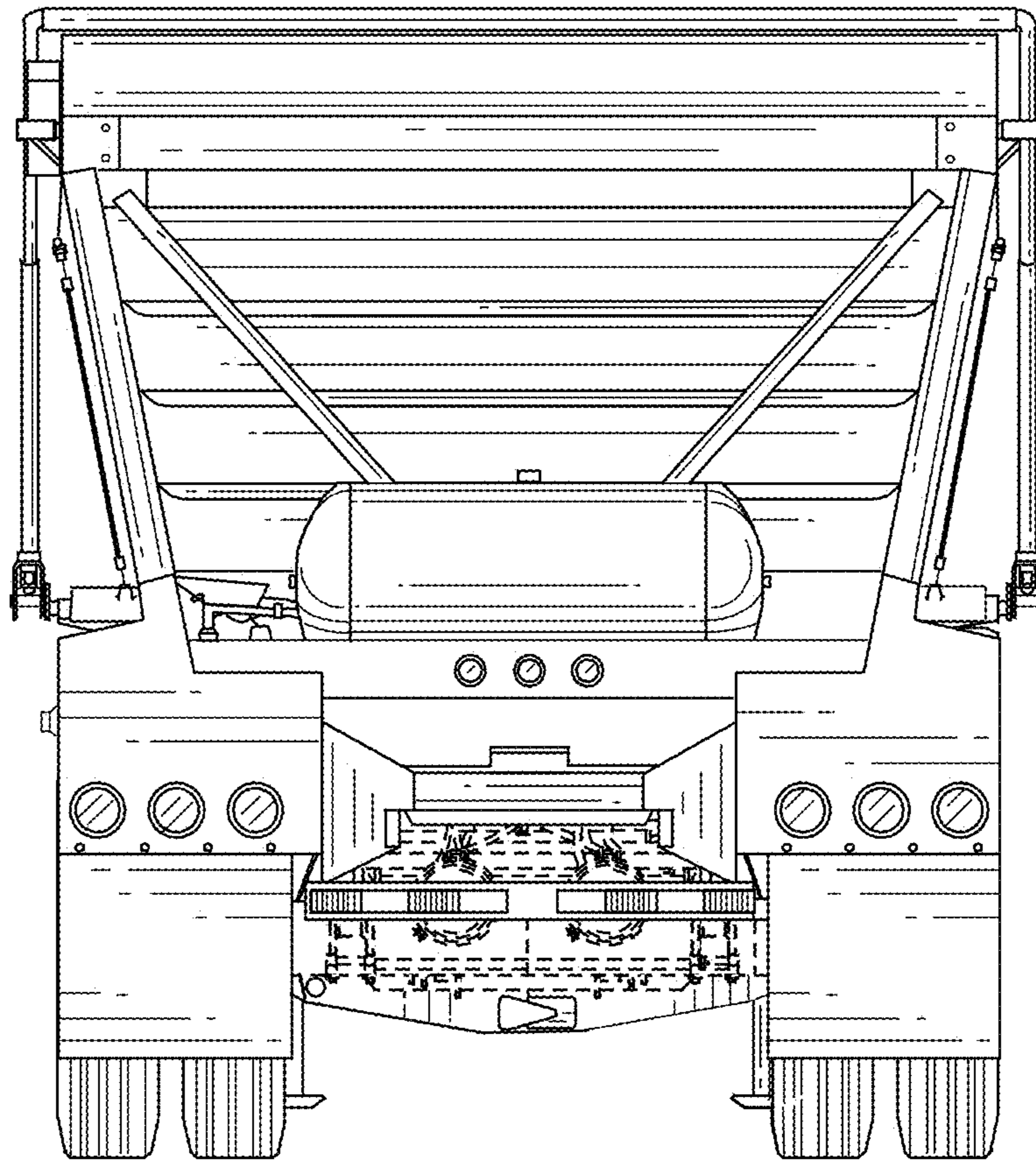
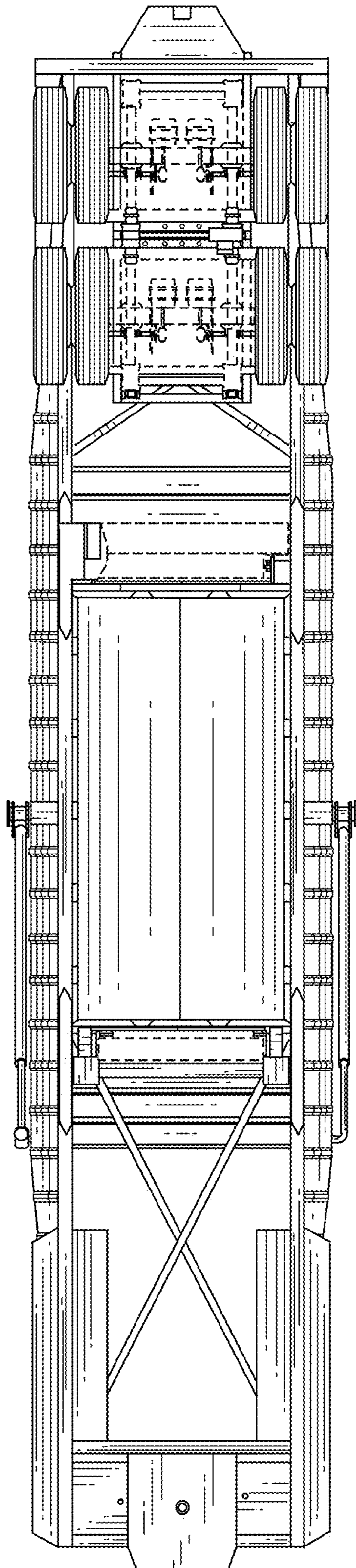


Fig. 5



*Fig. 6*

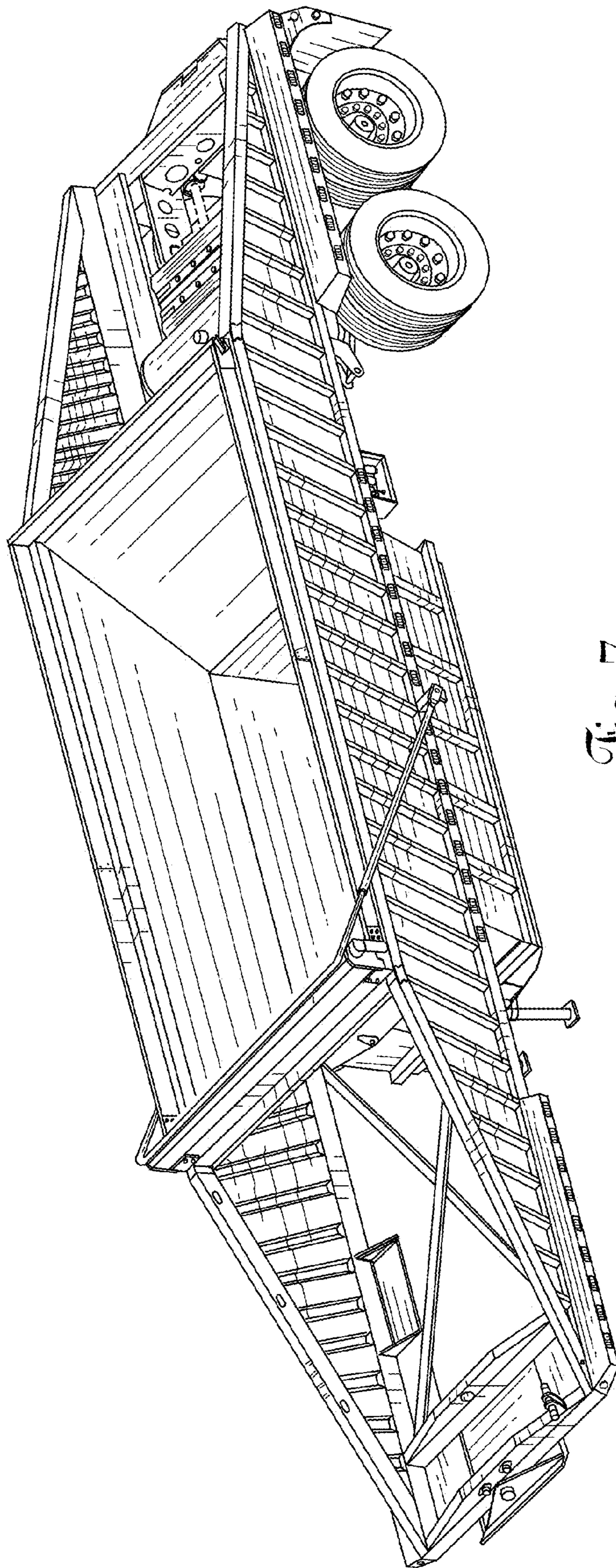


Fig. 7