



US00D880361S

(12) **United States Design Patent** (10) **Patent No.:** **US D880,361 S**
Etou (45) **Date of Patent:** **** Apr. 7, 2020**

(54) **MOTOR VEHICLE AND/OR TOY REPLICA THEREOF**

D790,399 S * 6/2017 Perini D12/88
D795,135 S * 8/2017 Davidson D12/88
D811,273 S * 2/2018 Villain D12/92

(71) Applicant: **Yasutaka Etou**, Okazaki (JP)

(72) Inventor: **Yasutaka Etou**, Okazaki (JP)

(73) Assignee: **TOYOTA JIDOSHA KABUSHIKI KAISHA** (JP)

(**) Term: **15 Years**

(21) Appl. No.: **29/670,130**

(22) Filed: **Nov. 14, 2018**

(30) **Foreign Application Priority Data**

Sep. 7, 2018 (JP) 2018-019506

(51) **LOC (12) Cl.** **12-08**

(52) **U.S. Cl.**
USPC **D12/92**

(58) **Field of Classification Search**
USPC D12/86, 90-92, 88; D21/424, 433, 434,
D21/533; 296/181.1-181.5, 183.1
CPC B62D 25/00; B62D 25/06; B62D 33/00;
B62D 35/00

See application file for complete search history.

(56) **References Cited**

U.S. PATENT DOCUMENTS

D687,348 S * 8/2013 Nurnberger D12/92
D703,103 S * 4/2014 Lee D12/92
D781,748 S * 3/2017 Manzoni D12/88

OTHER PUBLICATIONS

NETCARSHOW, Porsche Boxster (2005), <https://www.netcarshow.com/porsche/2005-boxster/1280x960/wallpaper_03.htm>, available as early as Jun. 11, 2018.

Carscoops, Daihatsu Copen (2011), <<https://www.carscoops.com/2010/08/revised-daihatsu-copen-roadster-adds/>>, available as early as Jun. 11, 2018.

NETCARSHOW, Mini Coupé (2012), <https://www.netcarshow.com/mini/2012-coupe/1280x960/wallpaper_18.htm>, available as early as Jun. 11, 2018.

* cited by examiner

Primary Examiner — Melody N Brown

(74) *Attorney, Agent, or Firm* — Saidman DesignLaw Group, LLC

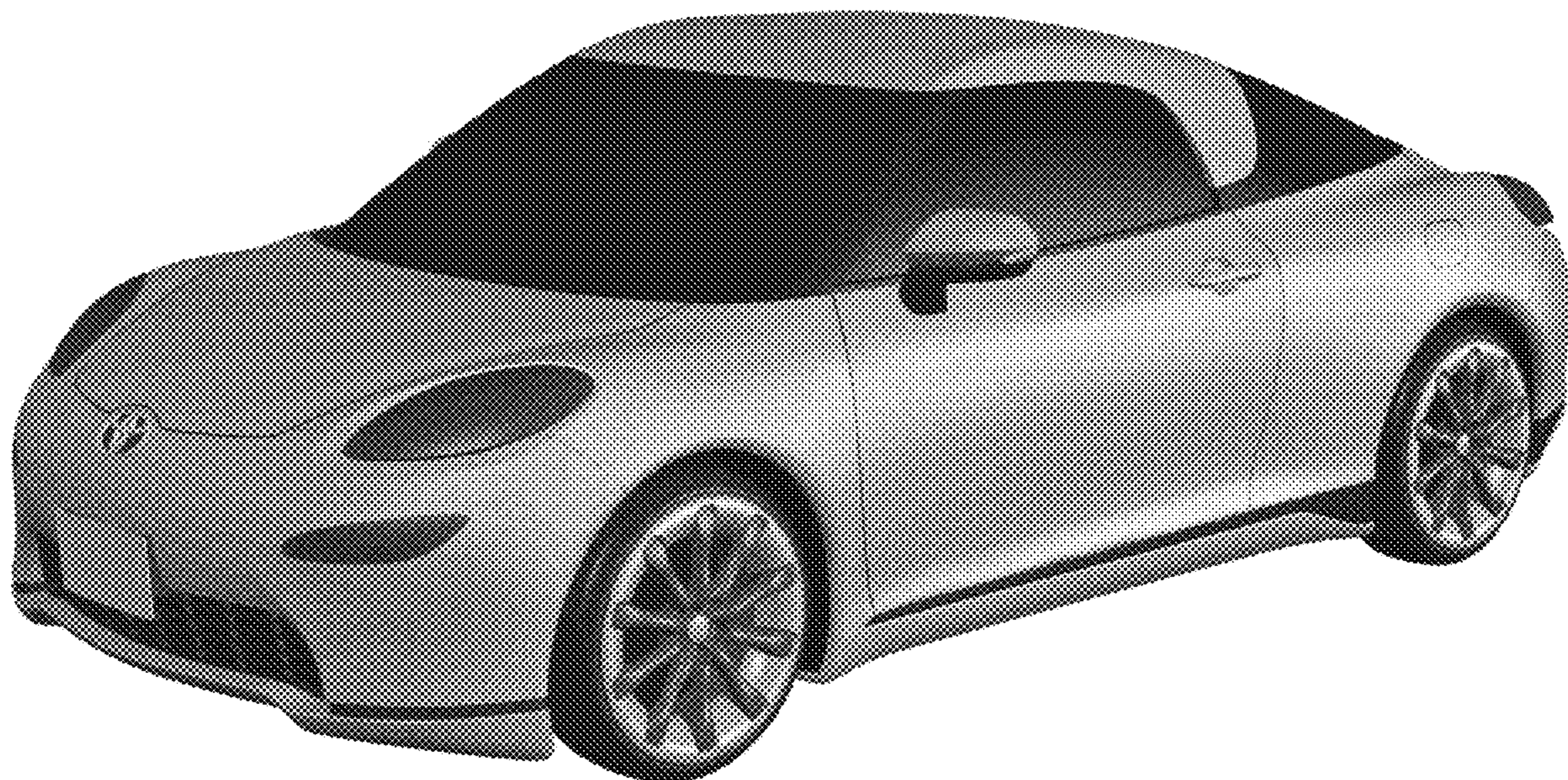
(57) **CLAIM**

The ornamental design for a motor vehicle and/or toy replica thereof, as shown and described.

DESCRIPTION

FIG. 1 is a left, front perspective view of a motor vehicle and/or toy replica showing my new design;
FIG. 2 is a left, rear perspective view thereof;
FIG. 3 is a left side view thereof;
FIG. 4 is a right side view thereof;
FIG. 5 is a front view thereof;
FIG. 6 is a rear view thereof; and,
FIG. 7 is a top view thereof.

1 Claim, 7 Drawing Sheets



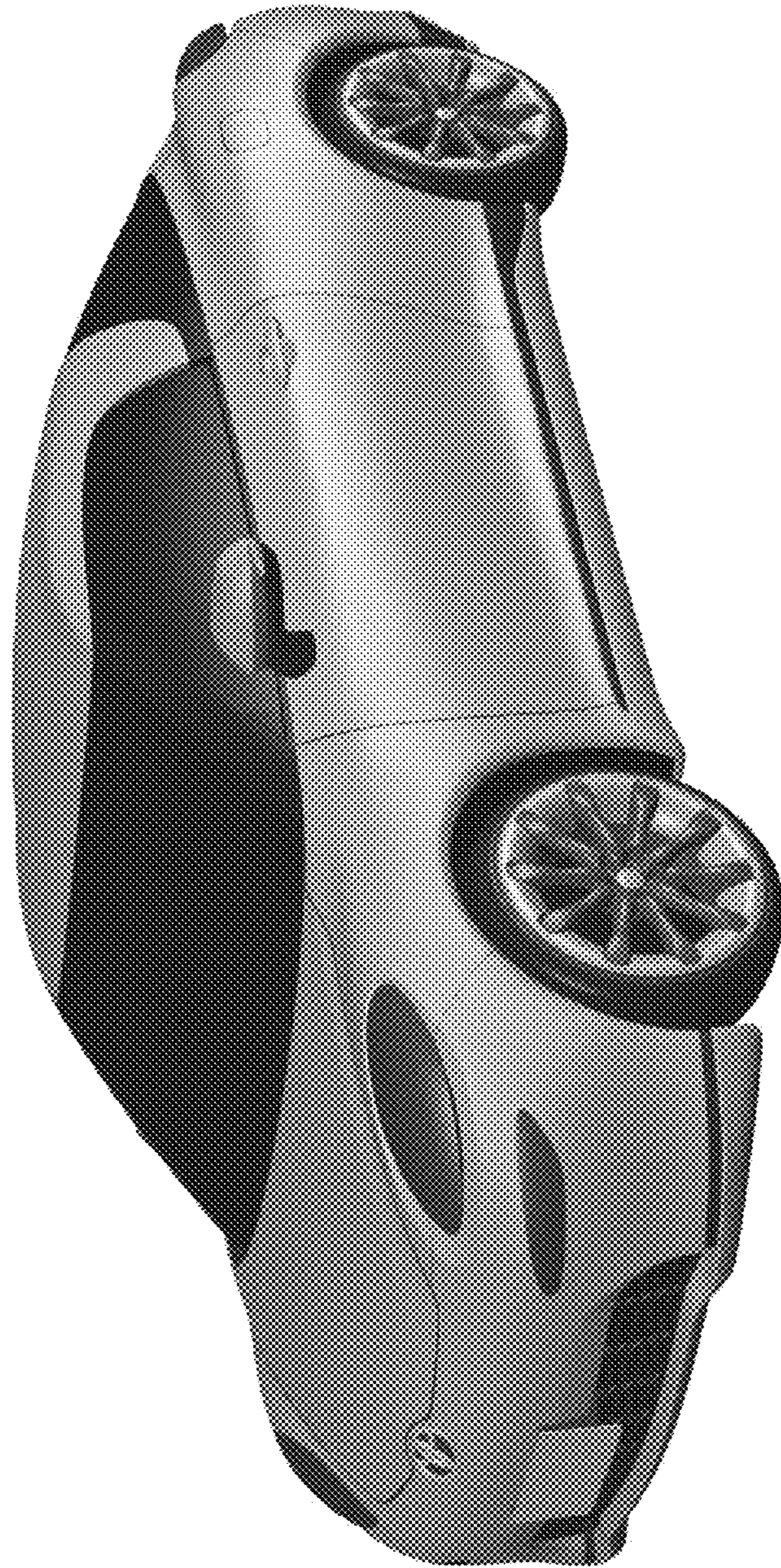


FIG. 1



FIG. 2

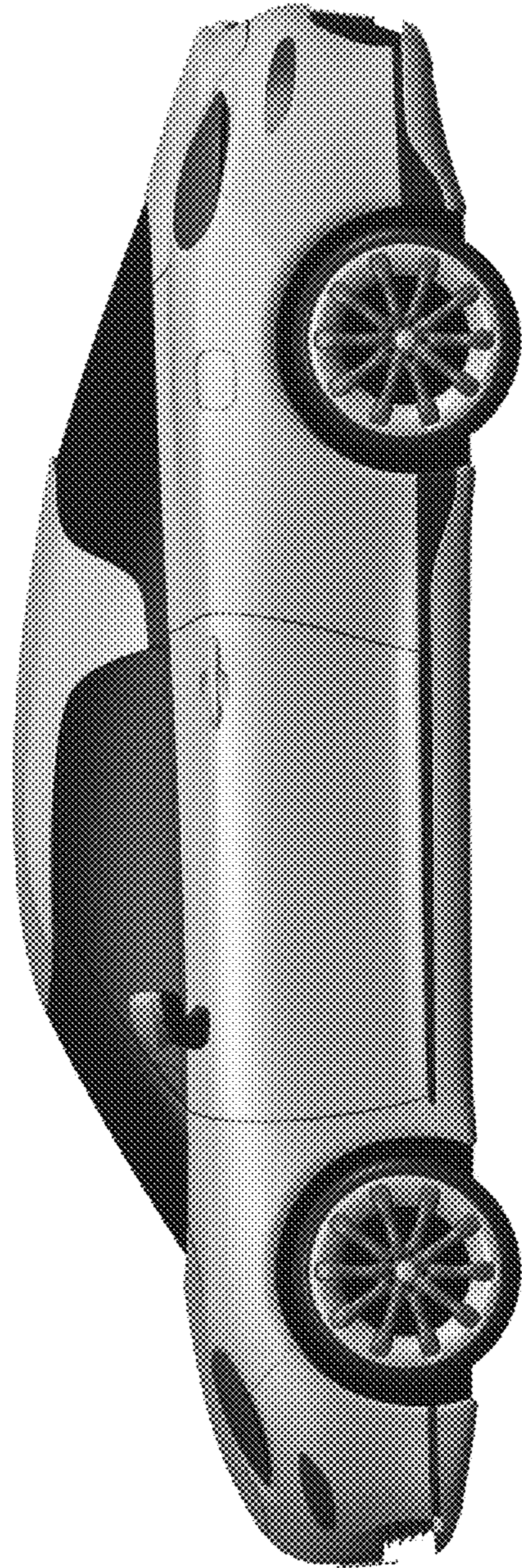


FIG. 3

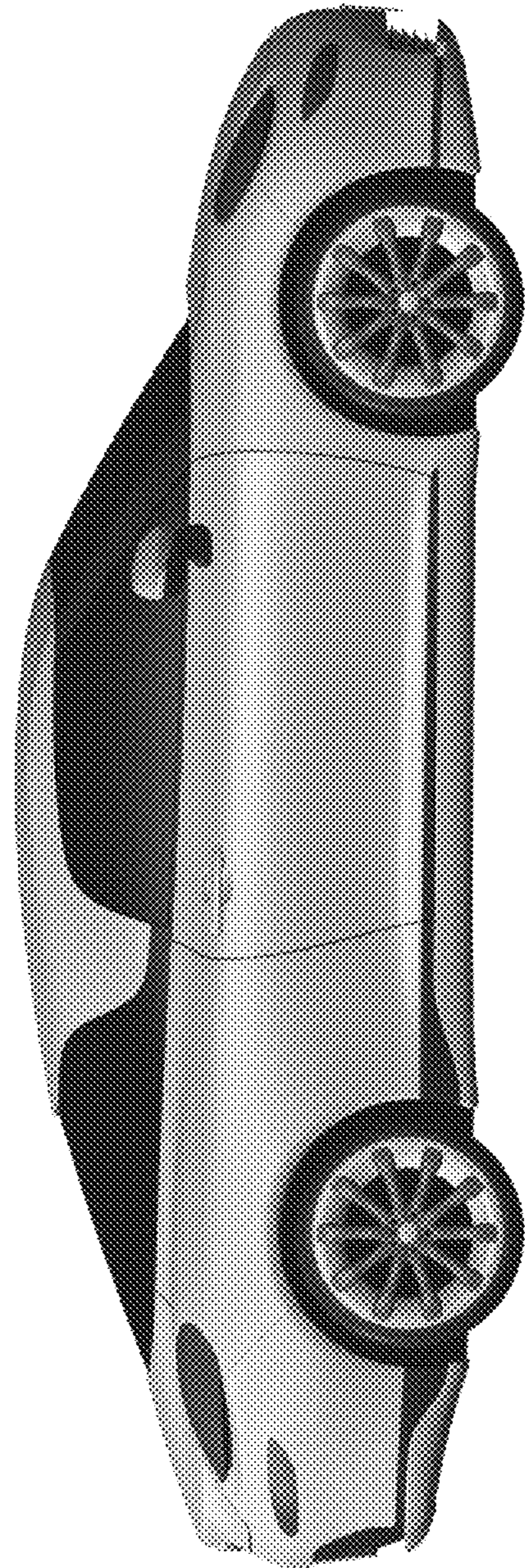


FIG. 4

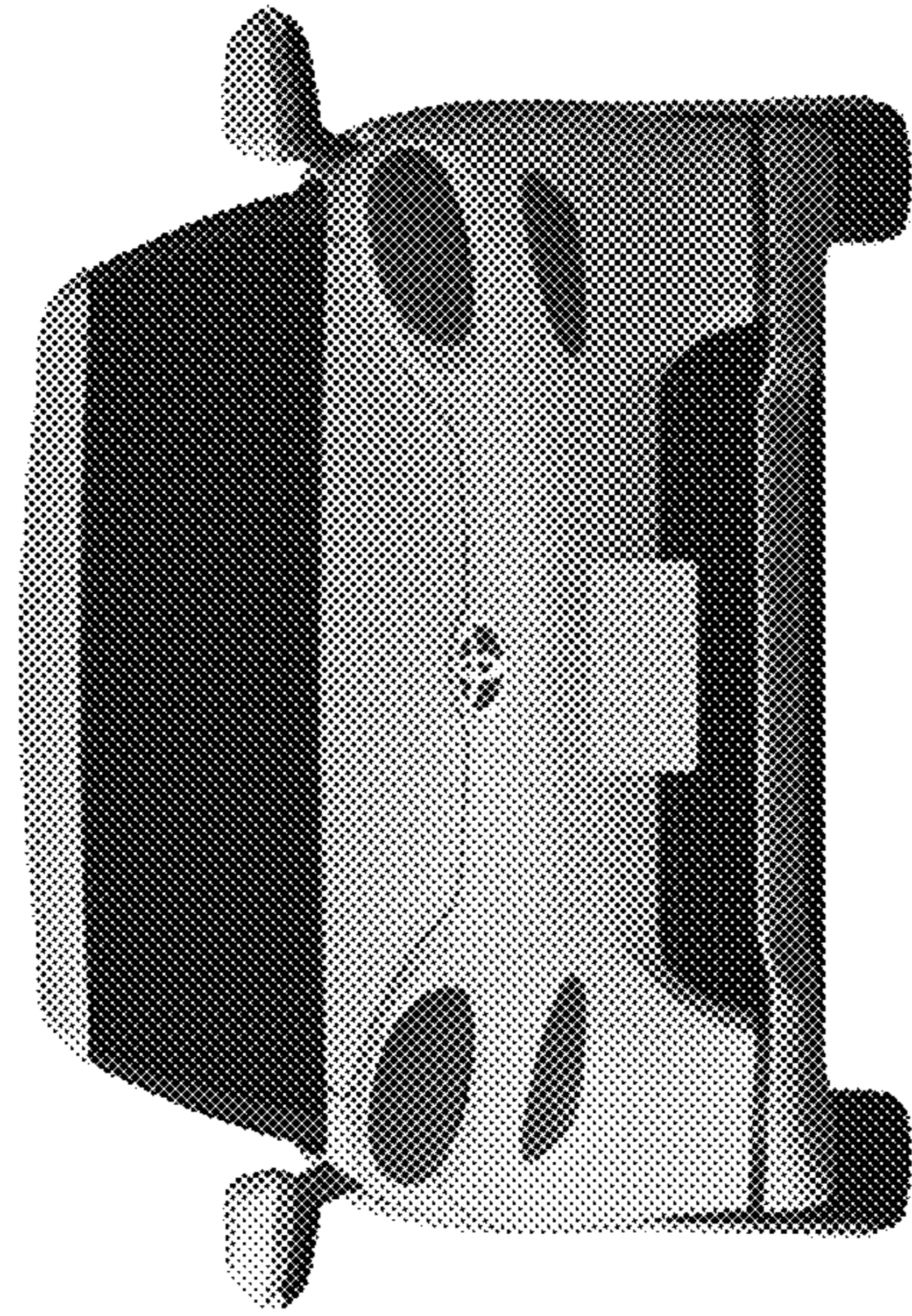


FIG. 5

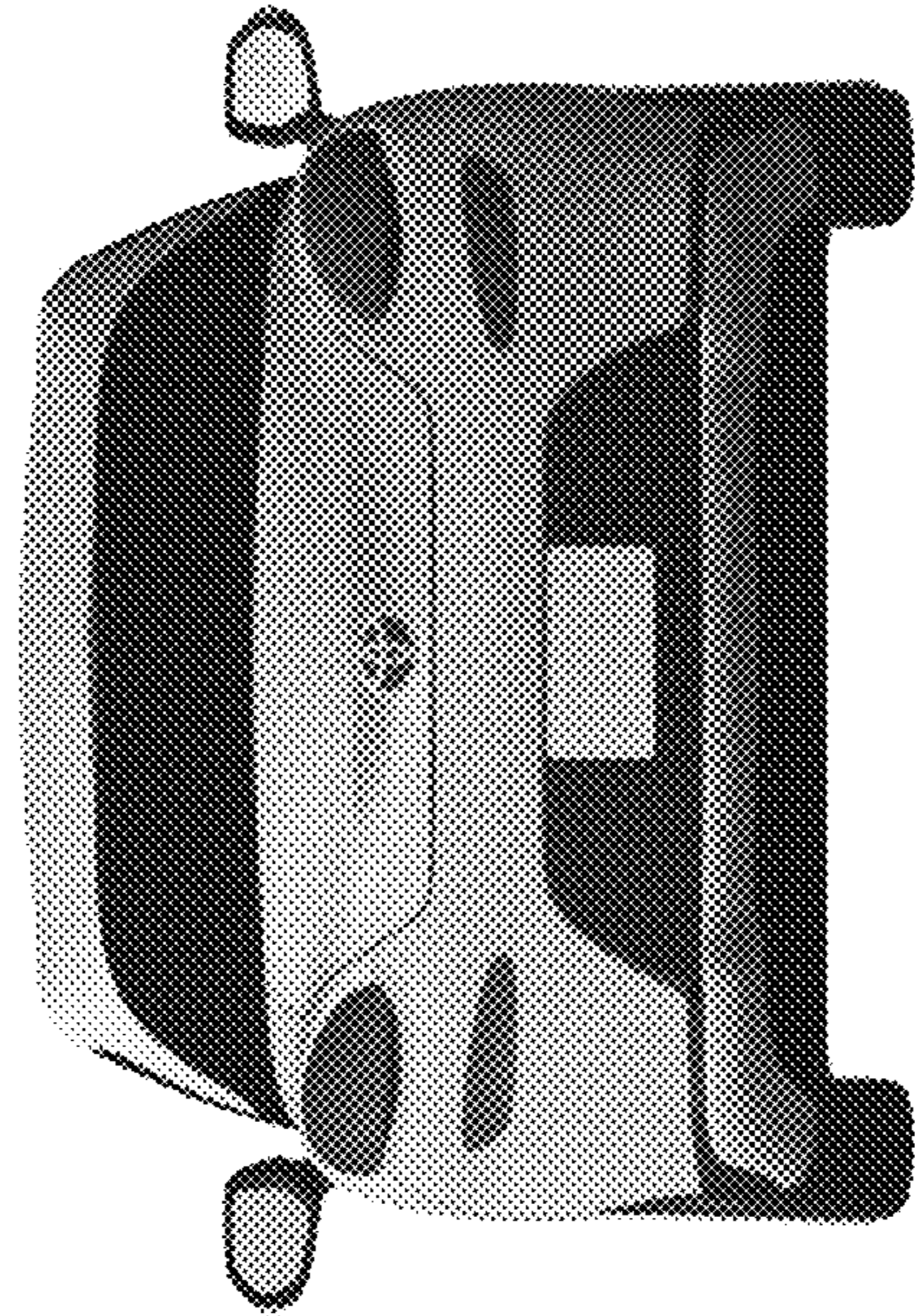


FIG. 6

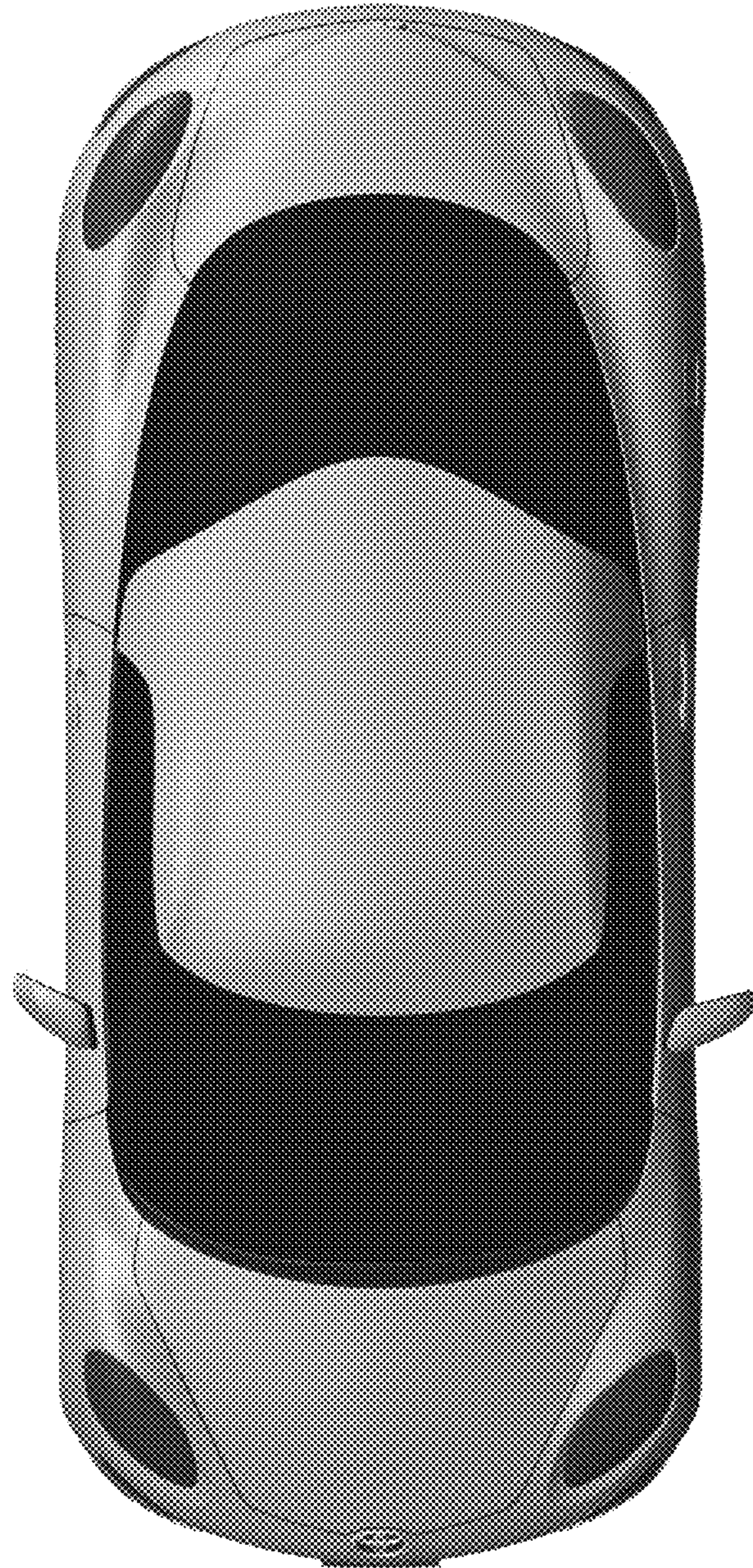


FIG. 7