



US00D880360S

(12) **United States Design Patent**  
**Schmölz**

(10) **Patent No.:** **US D880,360 S**

(45) **Date of Patent:** **\*\* Apr. 7, 2020**

(54) **MOTOR VEHICLE, TOY AND/OR REPLICA**

(71) Applicant: **Dr. Ing. h.c. F. Porsche**  
**Aktiengesellschaft, Stuttgart (DE)**

(72) Inventor: **Fabian Schmölz, Althengstett (DE)**

(73) Assignee: **Dr. Ing. h.c. F. Porsche**  
**Aktiengesellschaft (DE)**

(\*\*) Term: **15 Years**

(21) Appl. No.: **29/645,346**

(22) Filed: **Apr. 25, 2018**

(30) **Foreign Application Priority Data**

Nov. 6, 2017 (DE) ..... 40 2017 101 197

(51) **LOC (12) Cl.** ..... **12-08**

(52) **U.S. Cl.**  
USPC ..... **D12/92**

(58) **Field of Classification Search**

USPC .... D12/86, 90-92; D21/424, 433, 434, 533;  
296/181.1-181.5, 183.1

CPC ..... B62D 25/00; B62D 25/06; B62D 33/00;  
B62D 35/00

See application file for complete search history.

(56) **References Cited**

**U.S. PATENT DOCUMENTS**

D356,757 S 3/1995 Lagaay  
D431,796 S 10/2000 Lagaay  
D515,461 S 2/2006 Lai  
D528,056 S 9/2006 Lai  
D593,906 S 6/2009 Borkert

D605,981 S 12/2009 Larson  
D659,593 S 5/2012 Robinson  
D736,674 S 8/2015 Larson  
D754,565 S 4/2016 Varga  
D754,566 S 4/2016 Varga  
D805,435 S 12/2017 Baum  
D805,437 S 12/2017 Varga  
D808,862 S \* 1/2018 Ujhasi ..... D12/92  
D823,727 S \* 7/2018 Hauser ..... D12/92  
D824,288 S \* 7/2018 Hauser ..... D12/92  
D826,784 S \* 8/2018 Hauser ..... D12/92  
D833,331 S \* 11/2018 Yamashita ..... D12/92  
D839,786 S \* 2/2019 Baum ..... D12/92  
D842,759 S \* 3/2019 Baum ..... D12/92  
D862,288 S \* 10/2019 Baum ..... D12/92

\* cited by examiner

*Primary Examiner* — Melody N Brown

(74) *Attorney, Agent, or Firm* — RatnerPrestia

(57) **CLAIM**

The ornamental design for a motor vehicle, toy and/or replica, as shown and described.

**DESCRIPTION**

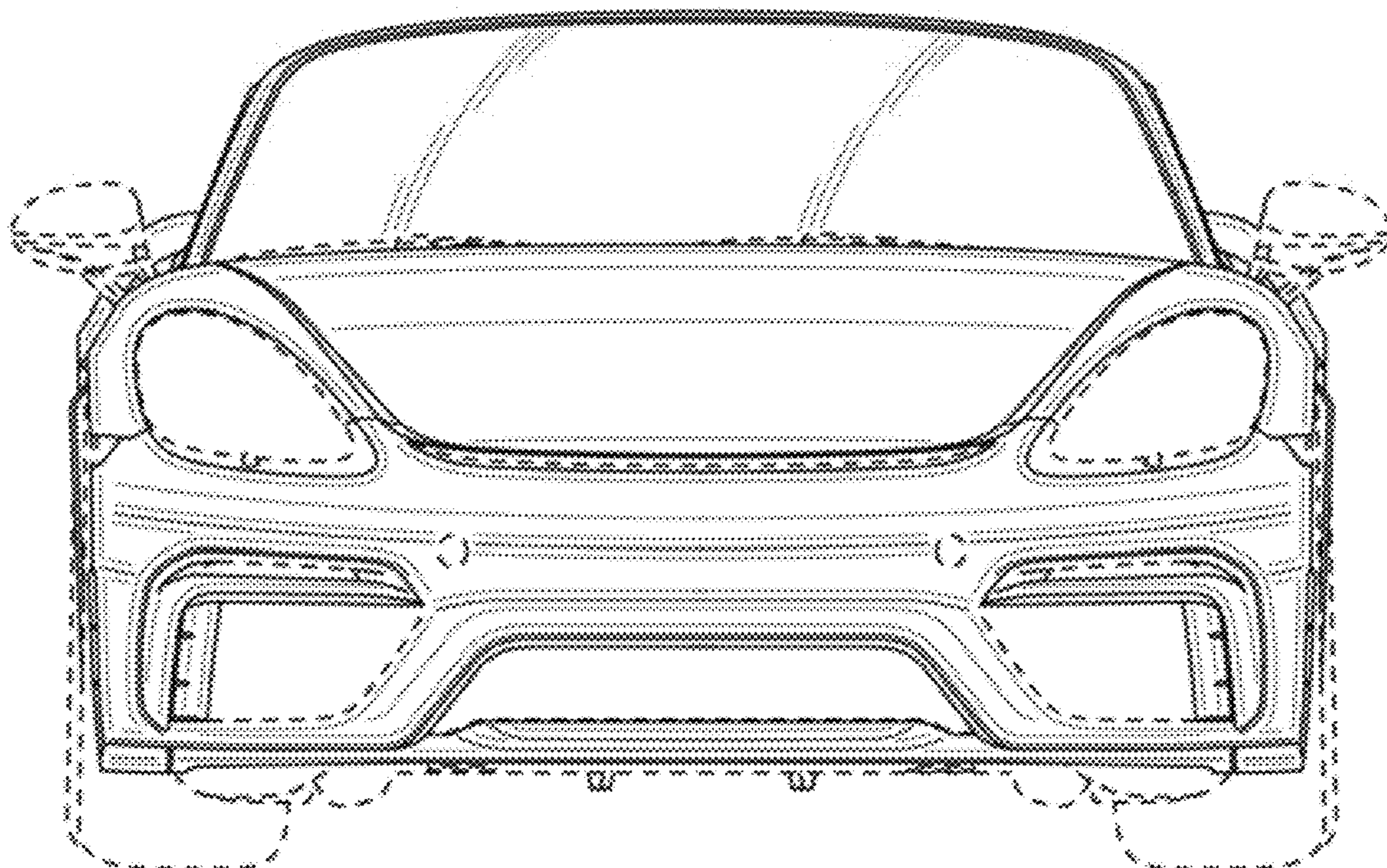
FIG. 1 is a front elevation view of a motor vehicle toy and/or replica;

FIG. 2 is a rear elevation view thereof;

FIG. 3 is an elevation view thereof taken from the left side, the right side being a substantial mirror image thereof; and, FIG. 4 is a top plan view thereof.

The broken line showing of the motor vehicle, toy and/or replica is for the purpose of illustrating portions of the motor vehicle, toy and/or replica and forms no part of the claimed design.

**1 Claim, 4 Drawing Sheets**



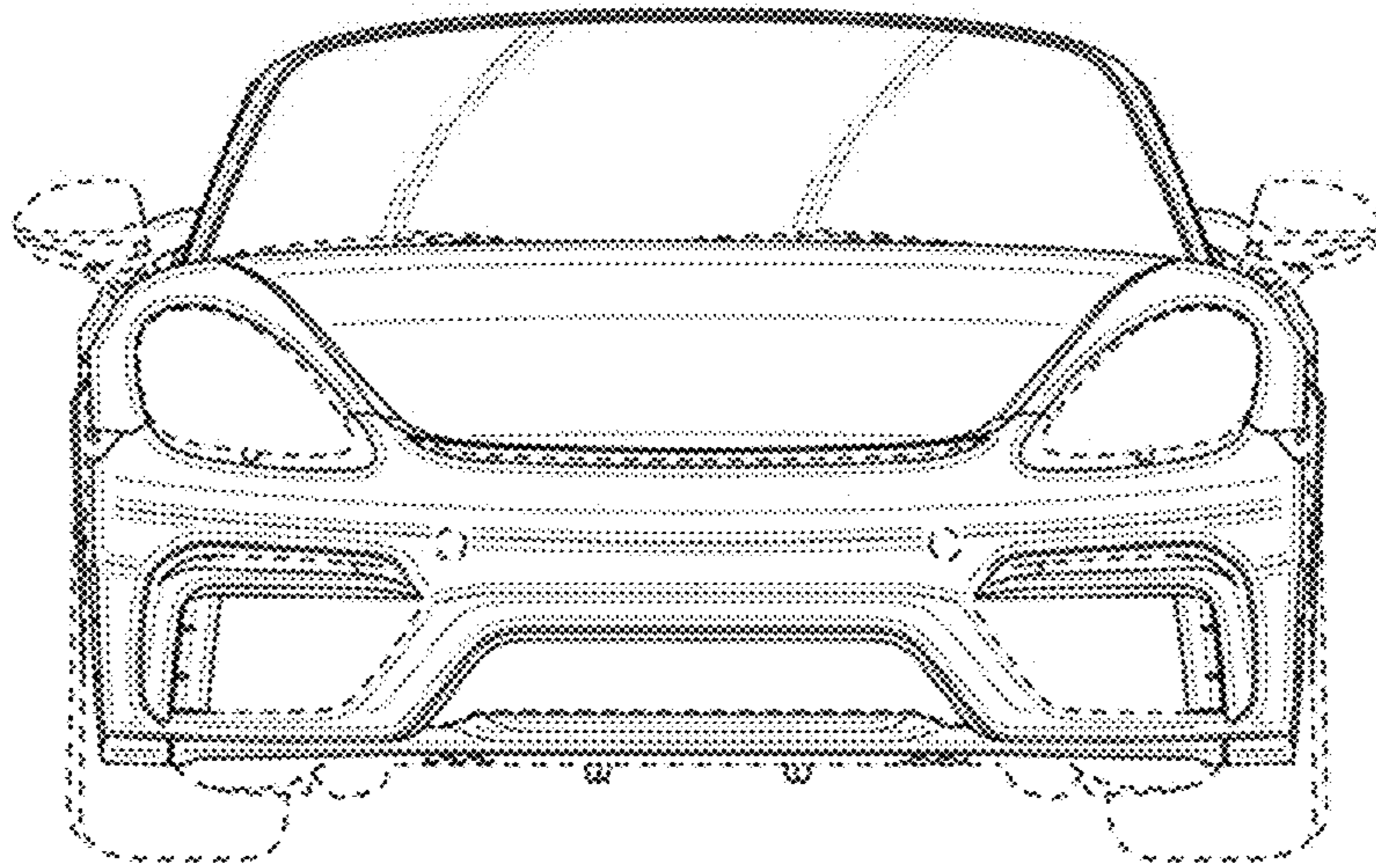


FIG. 1

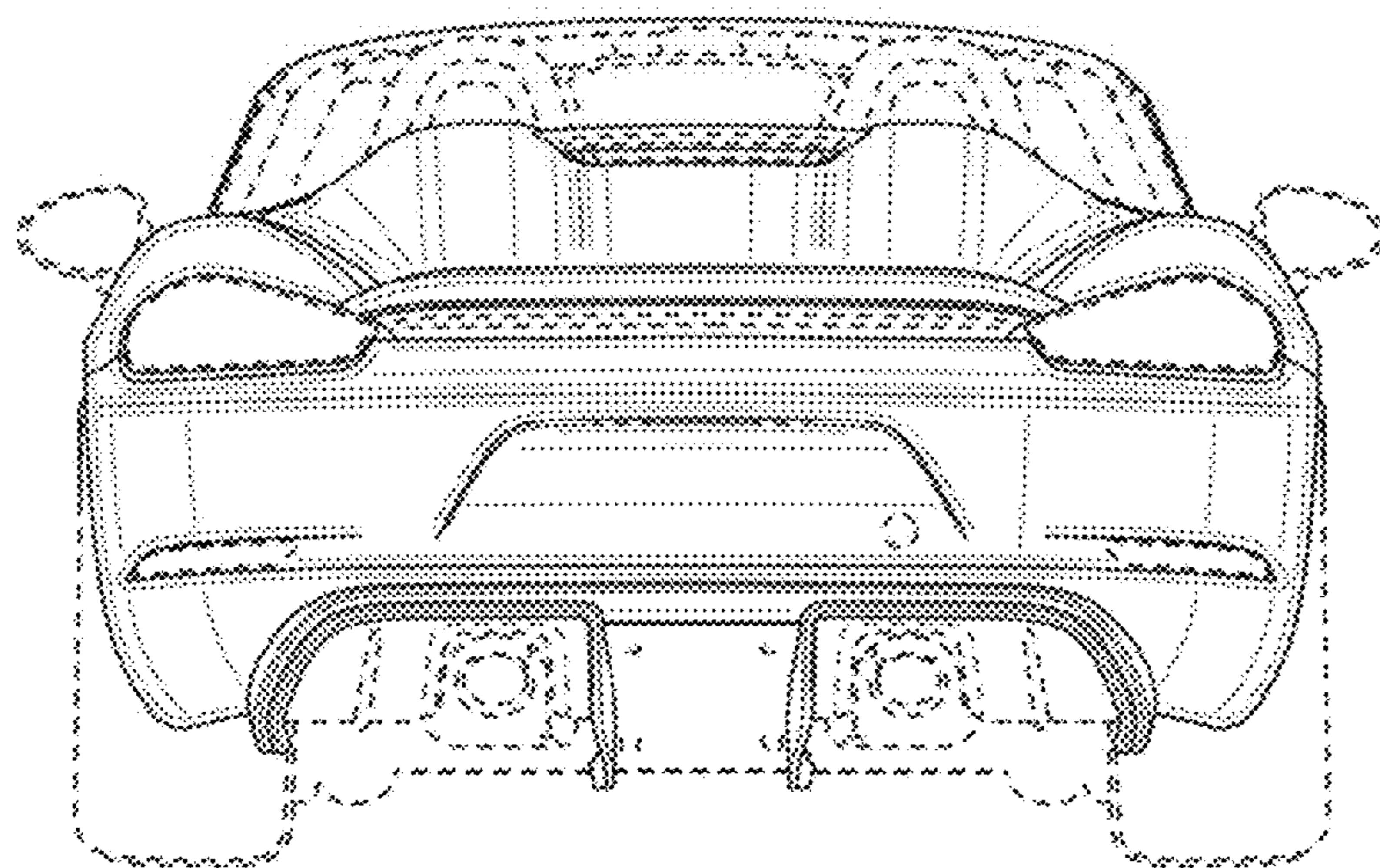


FIG. 2

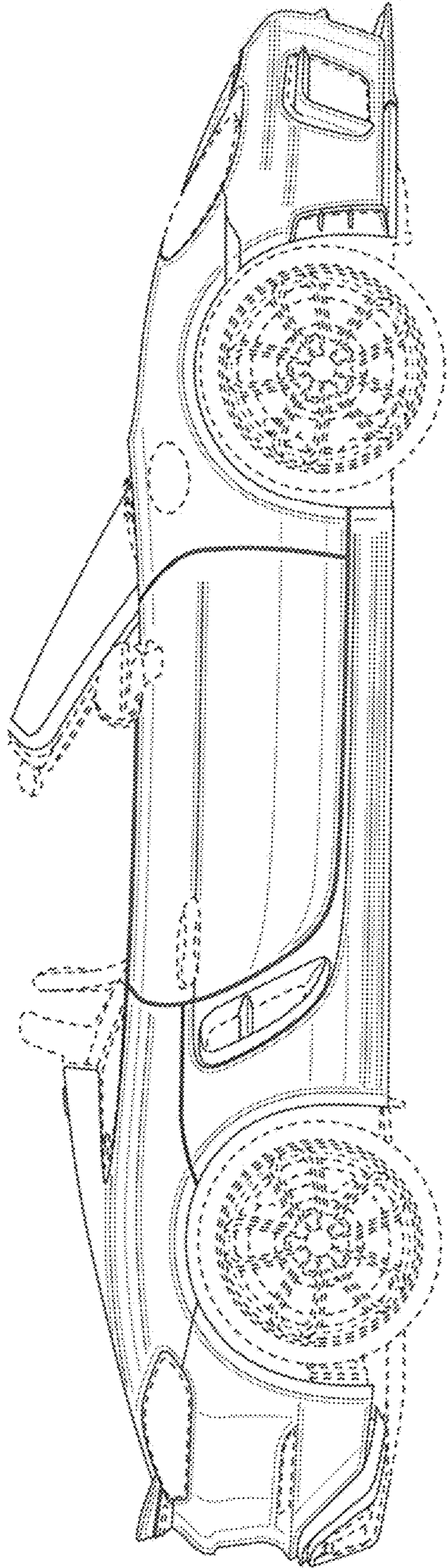


FIG. 3

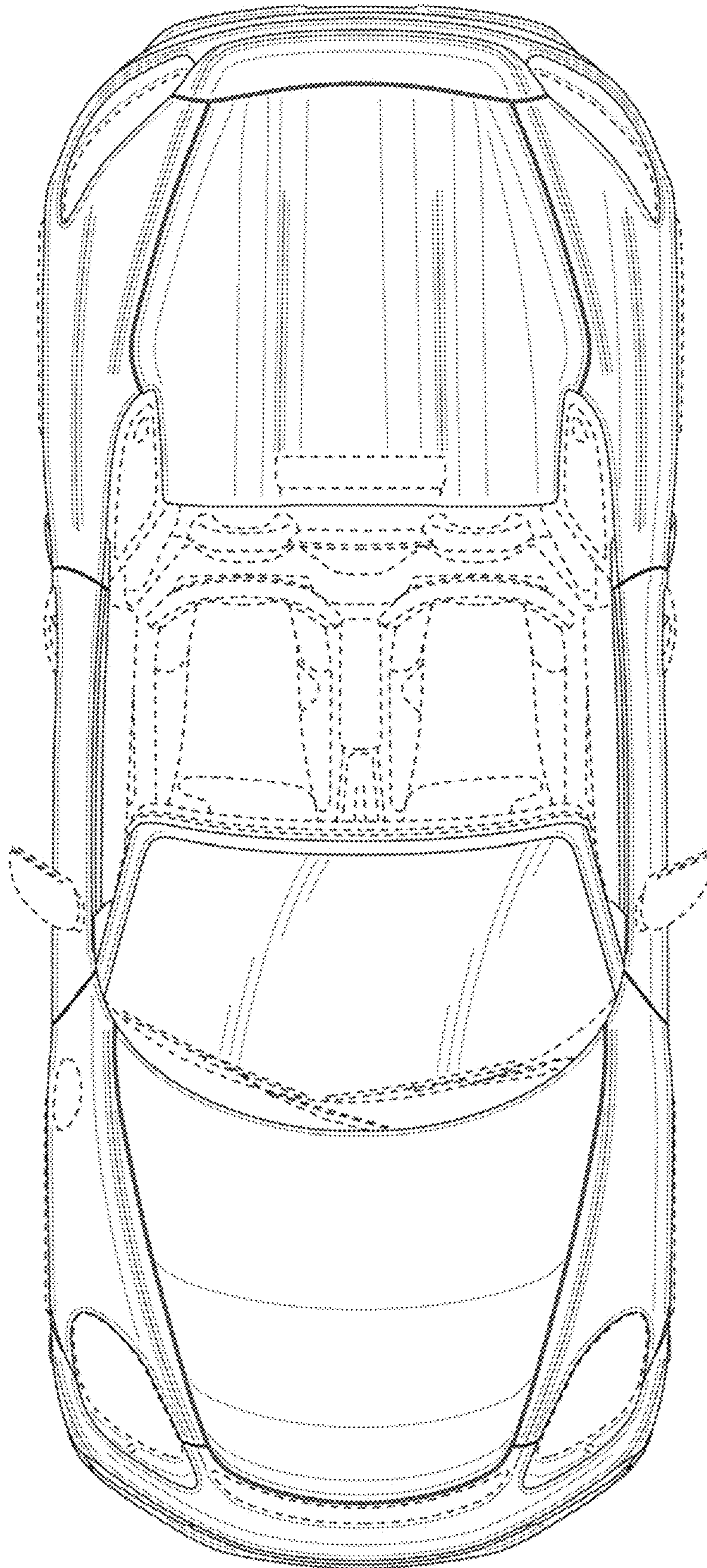


FIG. 4