



US00D880358S

(12) **United States Design Patent** (10) **Patent No.:** **US D880,358 S**
Yi et al. (45) **Date of Patent:** **** Apr. 7, 2020**

(54) **VEHICLE**

(71) Applicant: **DIVERGENT TECHNOLOGIES, INC.**, Los Angeles, CA (US)
(72) Inventors: **Joon Hyung Yi**, Glendale, CA (US); **David Charles O’Connell**, Huntington Beach, CA (US); **John Russell Bucknell**, El Segundo, CA (US); **Kevin Robert Czinger**, Santa Monica, CA (US)

(73) Assignee: **DIVERGENT TECHNOLOGIES, INC.**, Los Angeles, CA (US)

(**) Term: **15 Years**

(21) Appl. No.: **29/607,554**

(22) Filed: **Jun. 14, 2017**

(51) **LOC (12) Cl.** **12-08**

(52) **U.S. Cl.**
USPC **D12/92**

(58) **Field of Classification Search**
USPC D12/86, 88, 91, 92, 169, 214, 215, 407, D12/16.1, 300, 305, 317, 319, 328, 344, D12/345, 406, 412, 413, 414, 414.1, 110, D12/114, 126, 409, 410, 415, 115, 120, D12/402, 408, 533–604, 900, 90, 421, D12/433, 434, 107, 401, 424
CPC B60R 19/02; B60R 19/04; B62D 25/08; B62D 35/00; B62D 25/00; B62D 25/06; B62D 33/00

See application file for complete search history.

(56) **References Cited**

U.S. PATENT DOCUMENTS

D203,665 S * 2/1966 Cherry D12/85
D565,464 S * 4/2008 Falasca D12/91
D615,905 S * 5/2010 Arnell D12/91
D619,047 S * 7/2010 Foster D12/91
D622,185 S * 8/2010 Uchiyama D12/91

D629,717 S * 12/2010 Artioli D12/86
D668,581 S * 10/2012 Kim D12/86
D684,502 S * 6/2013 Kim D12/91
D690,622 S * 10/2013 Bruce D12/110
D706,681 S * 6/2014 Auerbach D12/92
D729,121 S * 5/2015 Engler D12/86
D730,774 S * 6/2015 Bruce D12/86
D738,259 S * 9/2015 Ohnuma D12/92
D754,564 S * 4/2016 Bouzige D12/91
D755,675 S * 5/2016 Jeanneret D12/91

(Continued)

OTHER PUBLICATIONS

Saenz, Aaron. “Honda’s 1 Person Electric Vehicle Looks Cool, But Who Will Buy It.” Singularity Hub, published Mar. 2, 2010 Retrieved from the Internet Jan. 29, 2020). Internet URL: <<https://singularityhub.com/2010/03/02/hondas-new-1-person-electric-vehicle-looks-cool-but-who-will-buy-it/>> (Year: 2010).*

Primary Examiner — Jack Reickel

Assistant Examiner — Rachel A Voorhies

(74) *Attorney, Agent, or Firm* — Arent Fox LLP

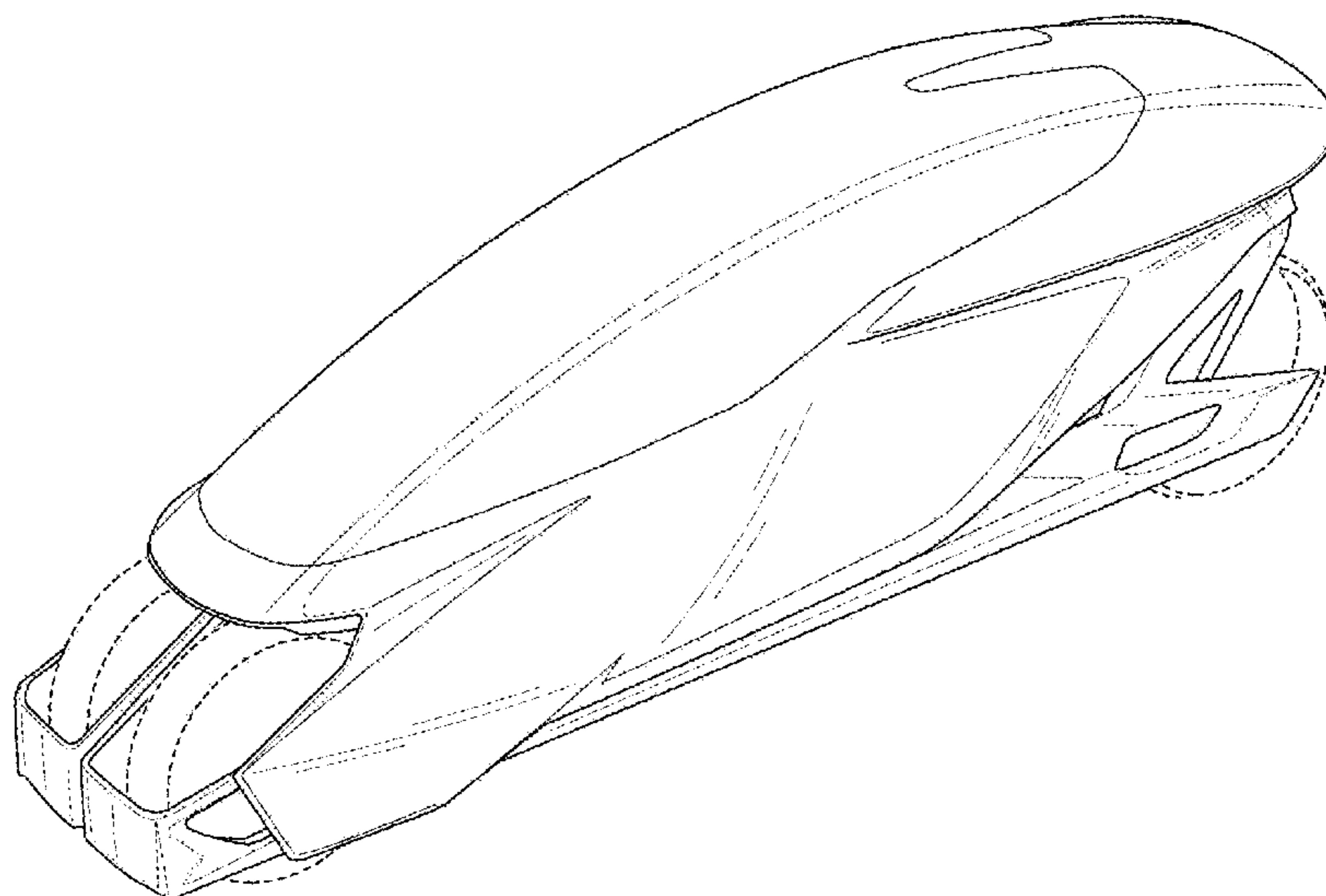
(57) **CLAIM**

The ornamental design for a vehicle, as shown and described.

DESCRIPTION

FIG. 1 is a front right perspective view of a vehicle showing our new design;
FIG. 2 is a front view of the design shown in FIG. 1;
FIG. 3 is a rear view of the design shown in FIG. 1;
FIG. 4 is a left side view of the design shown in FIG. 1;
FIG. 5 is a right side view of the design shown in FIG. 1; and,
FIG. 6 is a top view of the design shown in FIG. 1.
The bottom of the vehicle forms no part of the claimed design. The broken lines shown in the drawings represent unclaimed portions of the vehicle and form no part of the claimed design.

1 Claim, 6 Drawing Sheets



(56)

References Cited

U.S. PATENT DOCUMENTS

D758,246 S *	6/2016	Panoz	D12/86
D795,138 S *	8/2017	Panoz	D12/92
D826,779 S *	8/2018	Benedini	D12/86
D844,537 S *	4/2019	Macandrew	D12/319

* cited by examiner

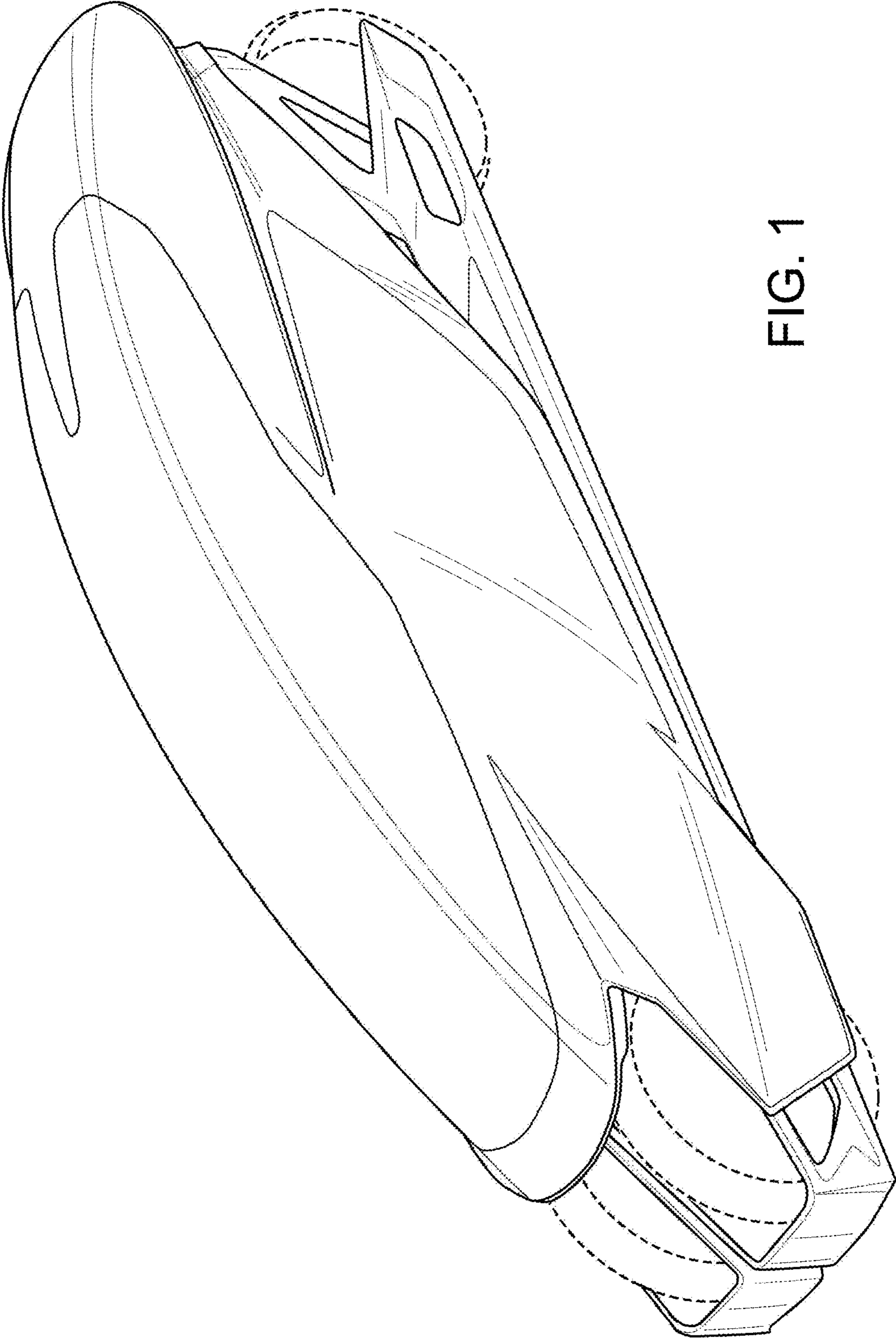


FIG. 1

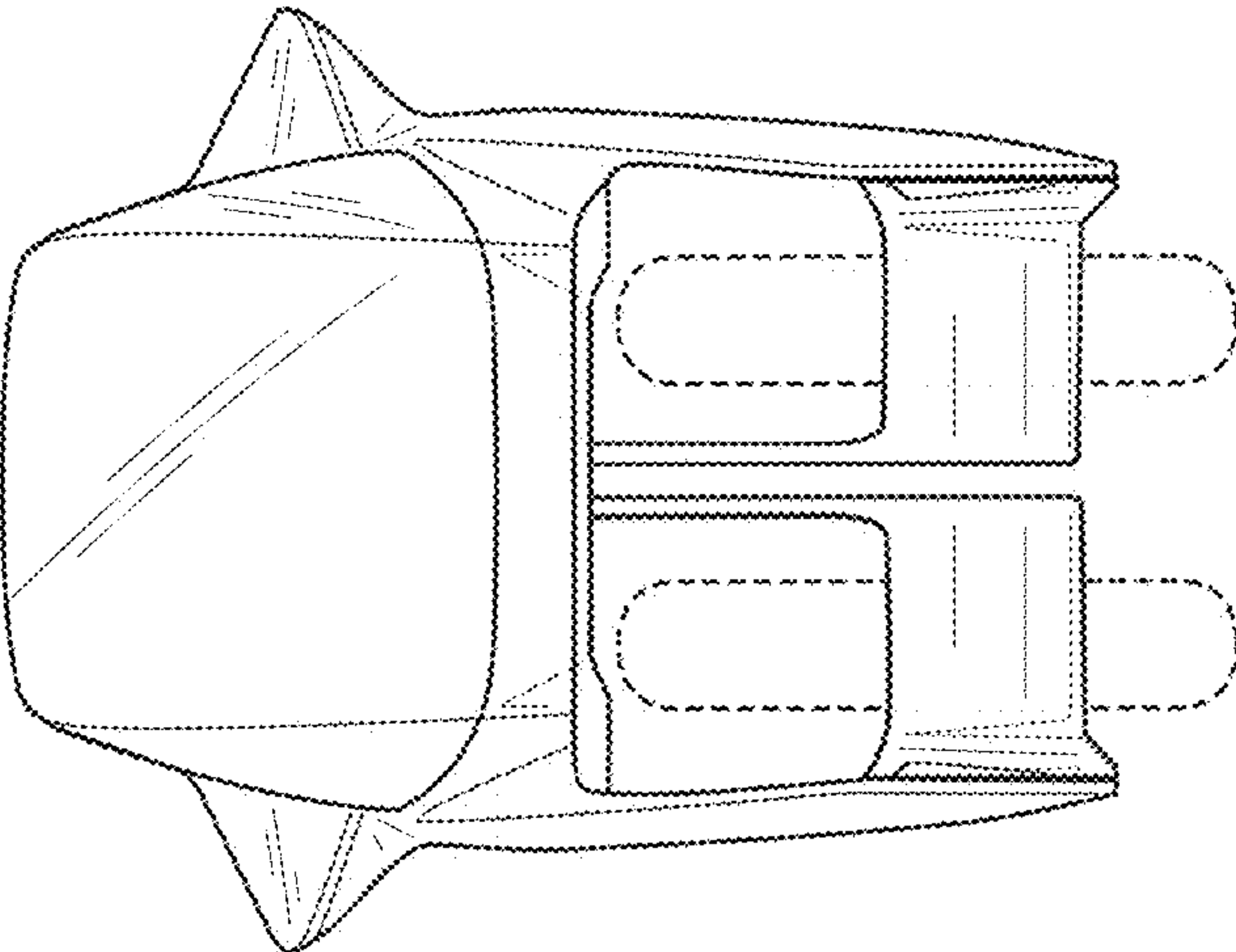


FIG. 2

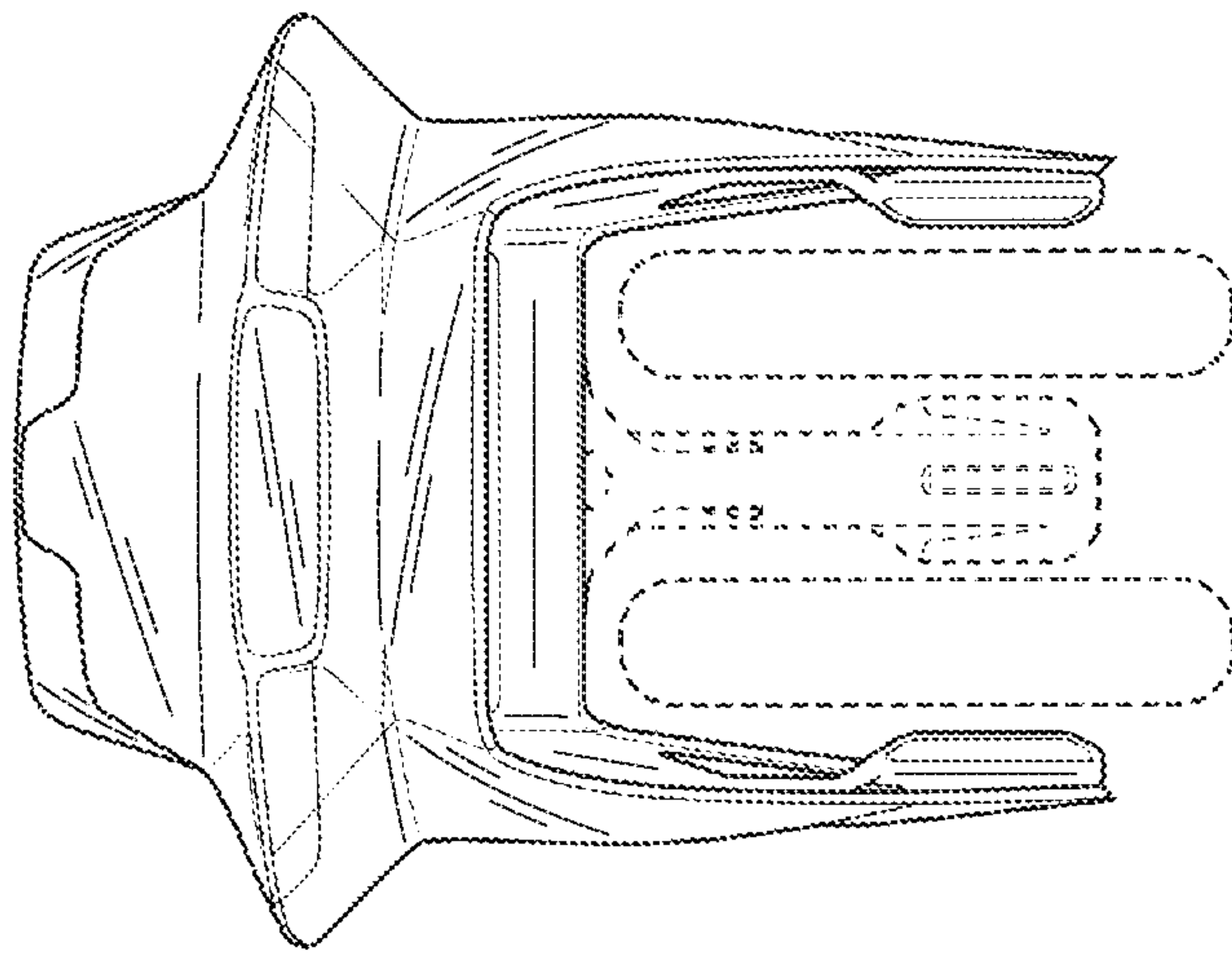


FIG. 3



FIG. 4

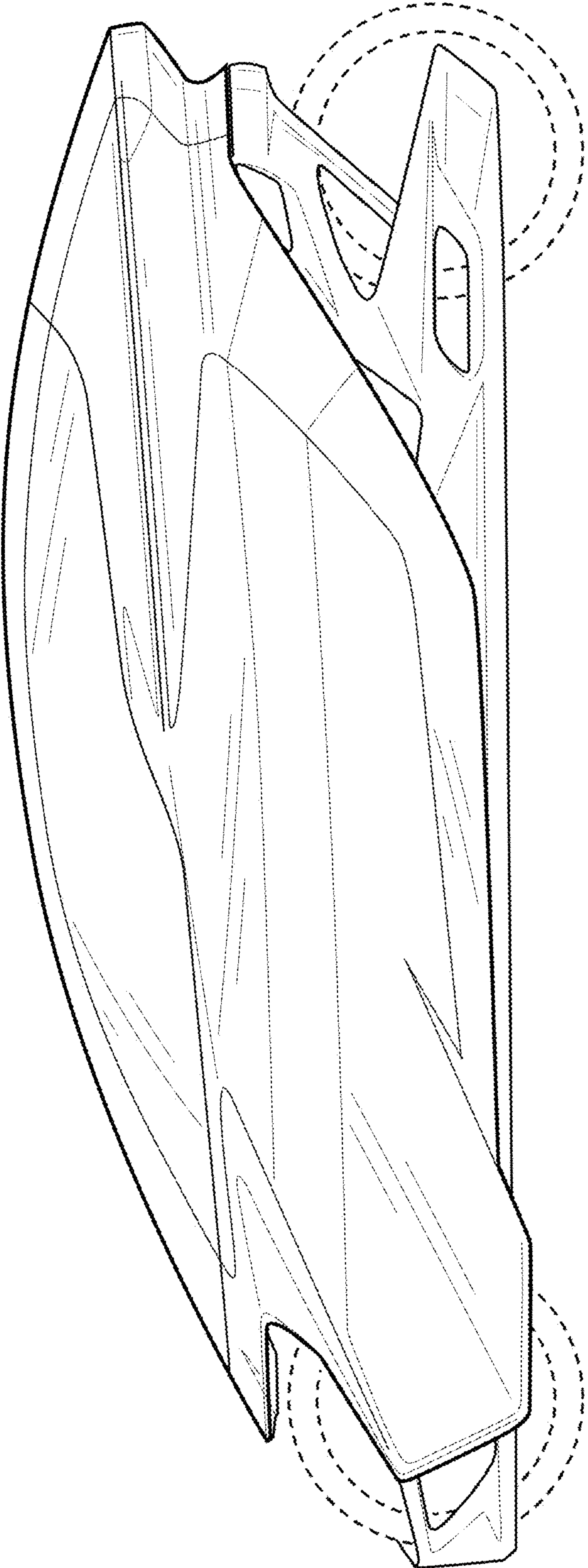


FIG. 5

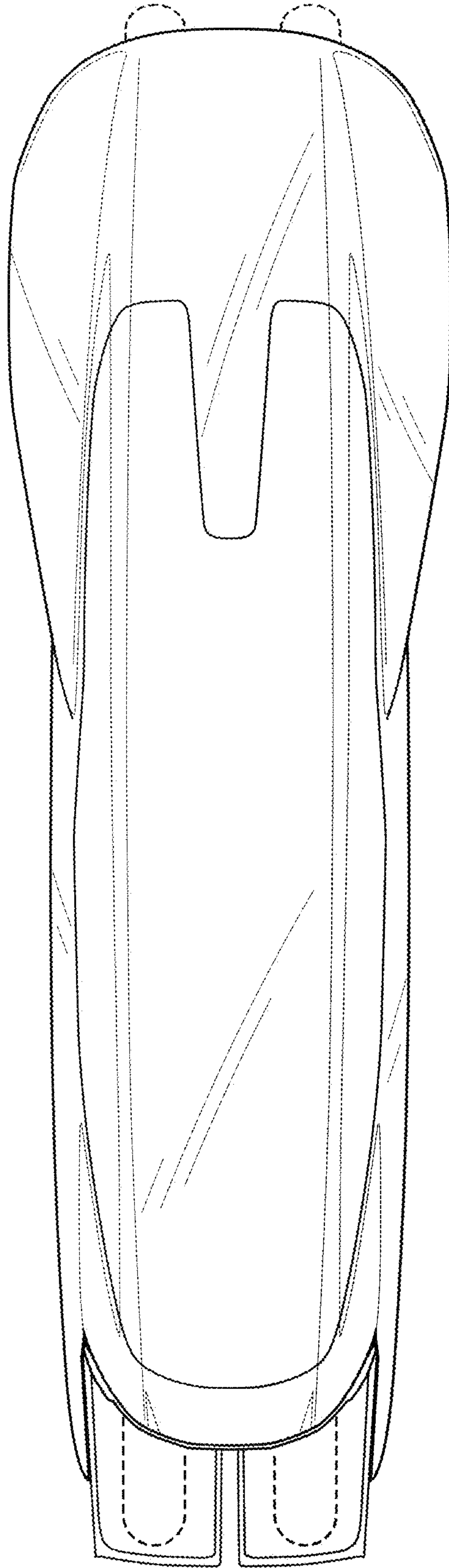


FIG. 6