



US00D880357S

(12) **United States Design Patent**
Samokhvalov

(10) **Patent No.:** **US D880,357 S**

(45) **Date of Patent:** **** *Apr. 7, 2020**

- (54) **ALLTERRAIN VEHICLES**
- (71) Applicant: **ENSENOR ENTERPRISES LIMITED**, Nicosia (CY)
- (72) Inventor: **Sergei Samokhvalov**, Kyiv (UA)
- (73) Assignee: **ENSENOR ENTERPRISES LIMITED**, Nicosia (CY)

- D478,840 S * 8/2003 Gregory, Jr. D12/1
- D590,743 S * 4/2009 Waters D12/1
- D630,268 S * 1/2011 Cunningham B60P 1/5438
D21/533
- D632,613 S * 2/2011 Allaire D12/12
- D661,224 S * 6/2012 Allaire D12/12

- (*) Notice: This patent is subject to a terminal disclaimer.
- (**) Term: **15 Years**

* cited by examiner

Primary Examiner — Michael A. Pratt

(74) *Attorney, Agent, or Firm* — Inventa Capital PLC

- (21) Appl. No.: **35/502,325**
- (22) Filed: **Dec. 9, 2016**

(57) **CLAIM**

The ornamental design for all-terrain vehicle, as shown and described.

(80) **Hague Agreement Data**

- Int. Filing Date: **Dec. 9, 2016**
- Int. Reg. No.: **DM/094168**
- Int. Reg. Date: **Dec. 9, 2016**
- Int. Reg. Pub. Date: **Jan. 20, 2017**

DESCRIPTION

(30) **Foreign Application Priority Data**

Oct. 21, 2016 (UA) 201601737

- (51) **LOC (12) Cl.** **12-13**
- (52) **U.S. Cl.**
USPC **D12/1**

- 1.-2. All-terrain vehicles
- 1.1 : Perspective
- 1.2 : Front
- 1.3 : Left
- 1.4 : Right
- 1.5 : Back
- 1.6 : Top
- 1.7 : Perspective
- 2.1 : Perspective
- 2.2 : Front
- 2.3 : Left
- 2.4 : Right
- 2.5 : Back
- 2.6 : Top
- 2.7 : Perspective

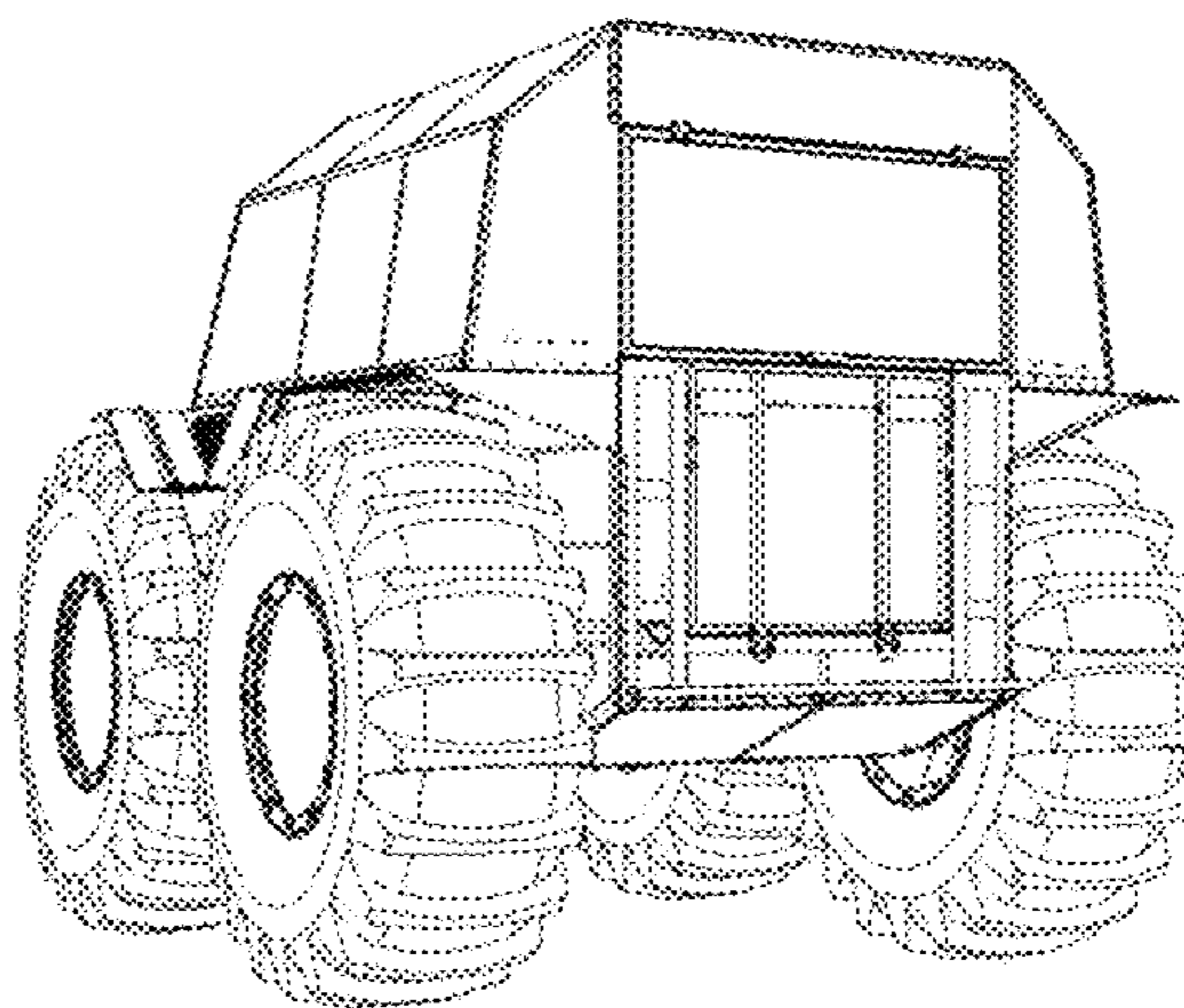
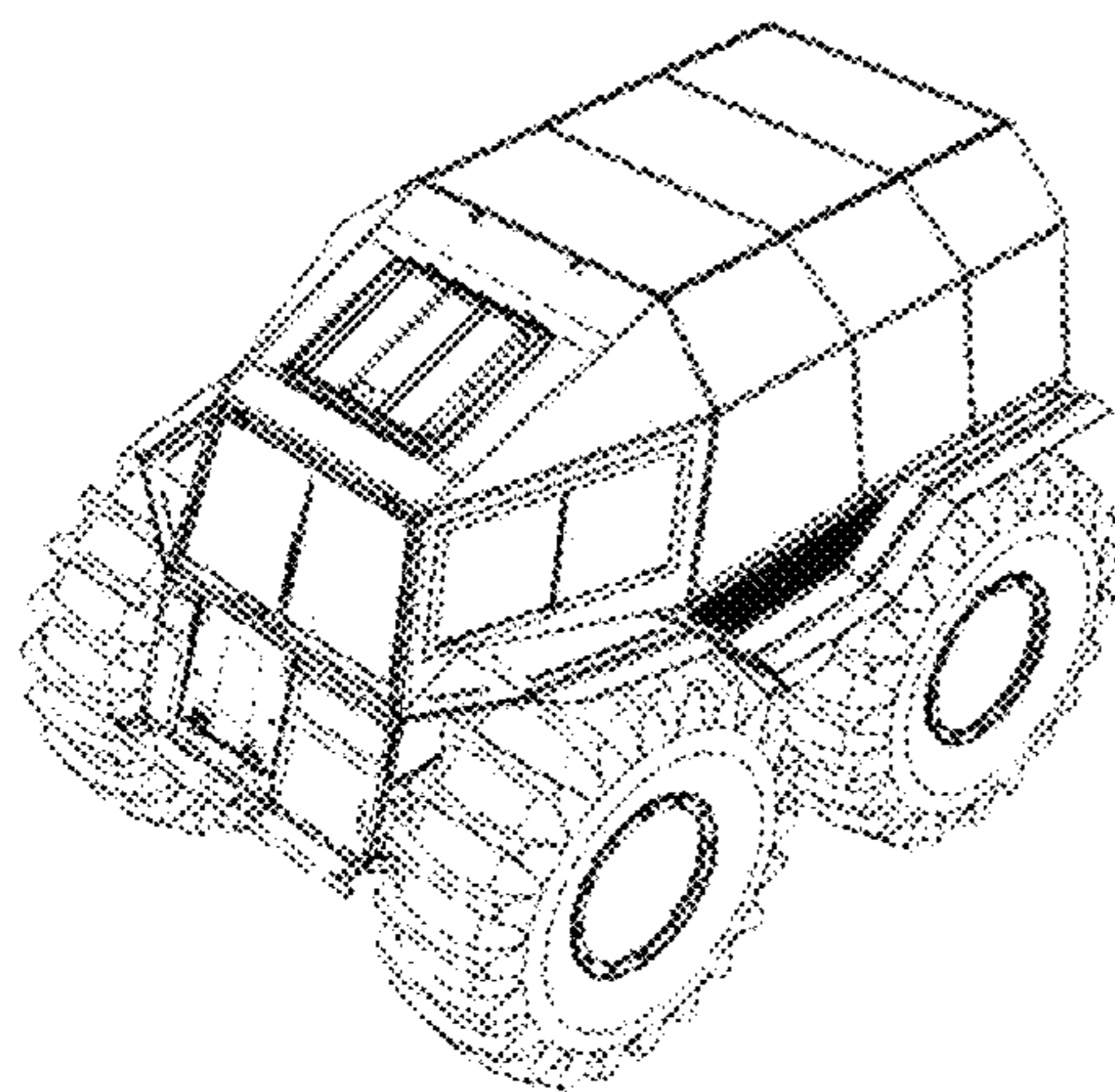
- (58) **Field of Classification Search**
USPC D12/1-3
CPC B60F 3/0069; B60F 3/0061; B63H 21/175
See application file for complete search history.

(56) **References Cited**

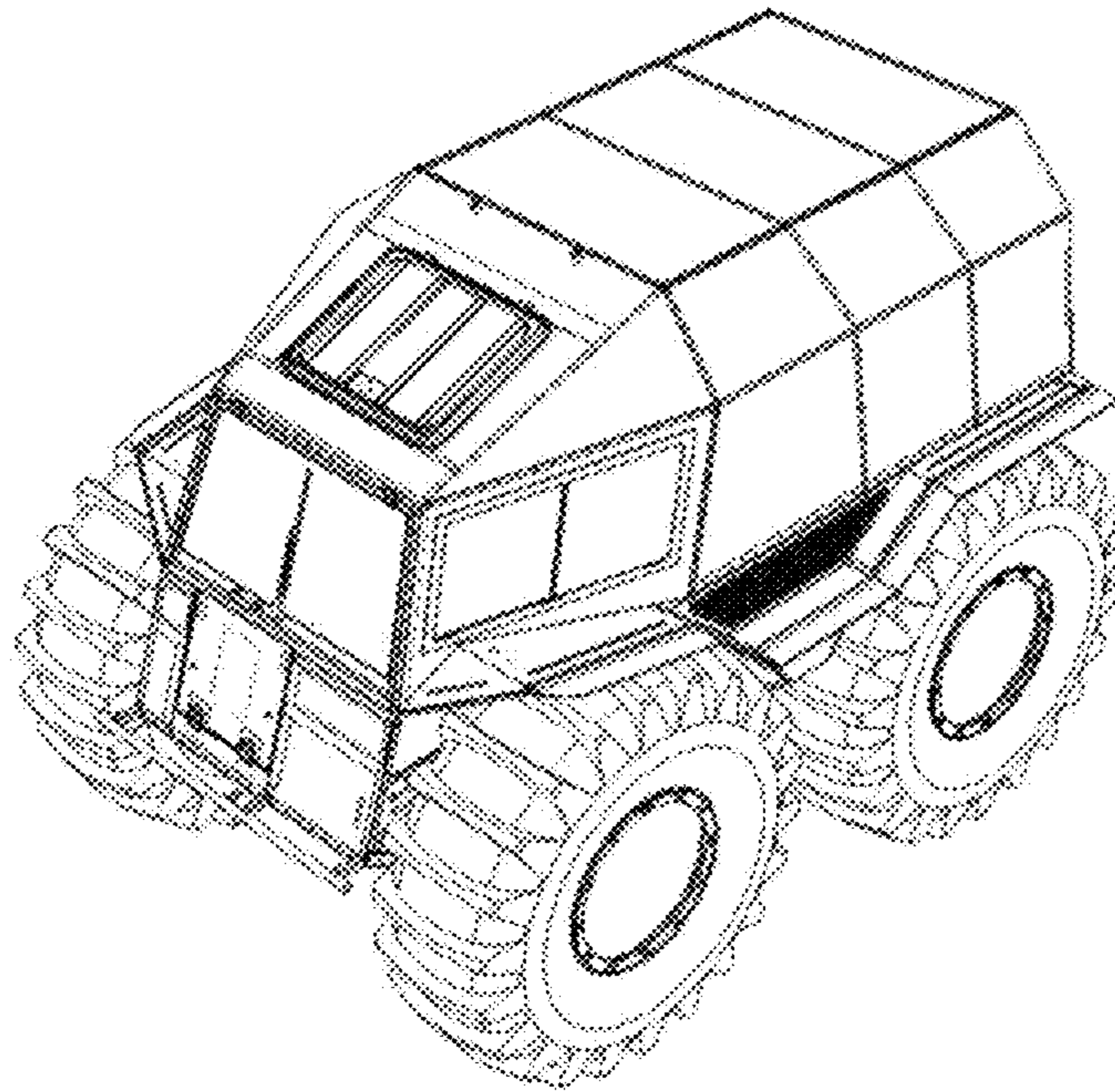
U.S. PATENT DOCUMENTS

- D217,056 S * 3/1970 Gamaunt D12/12
- D223,817 S * 6/1972 Halopoff D12/87
- D474,715 S * 5/2003 Young D12/1

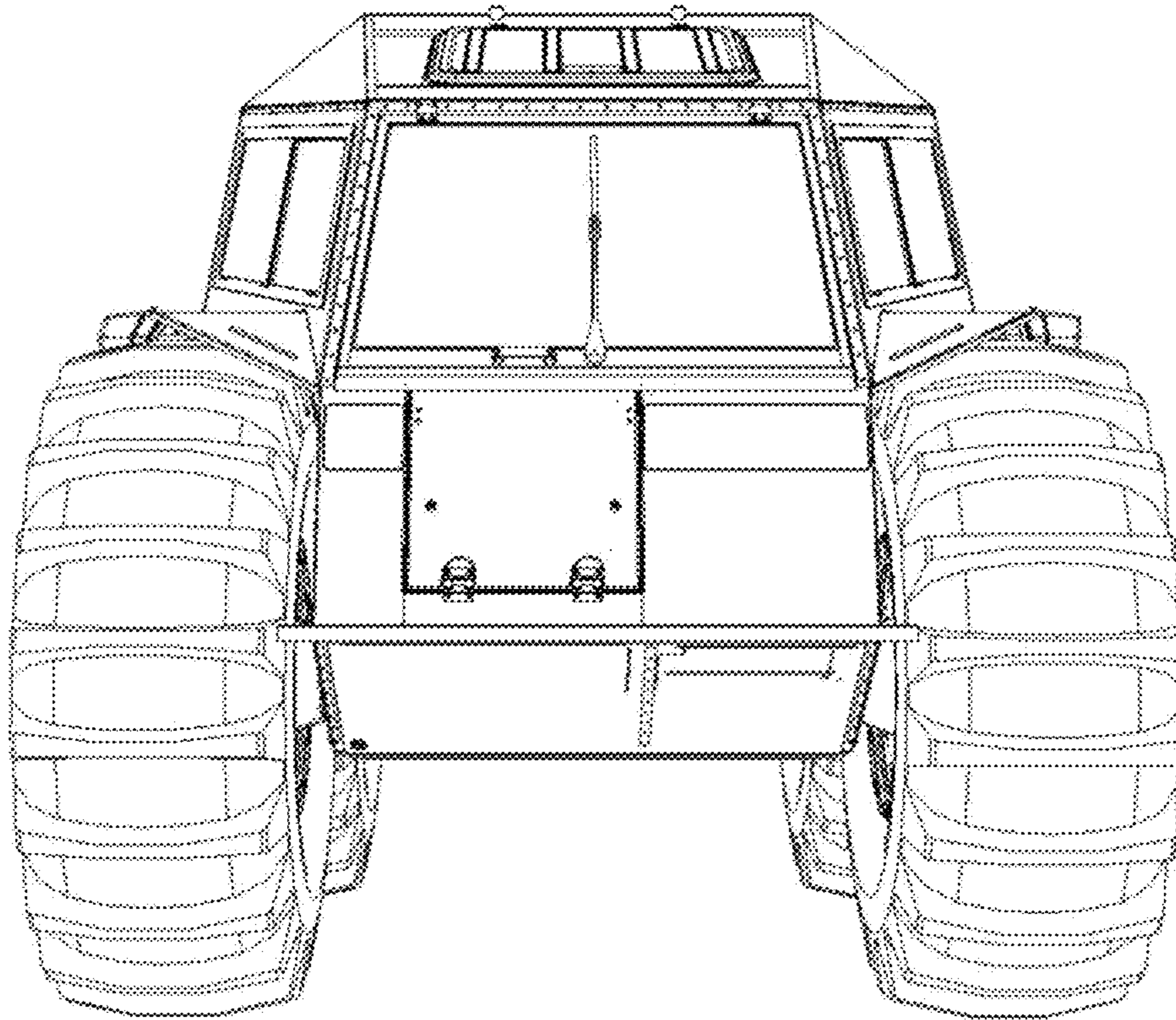
1 Claim, 14 Drawing Sheets



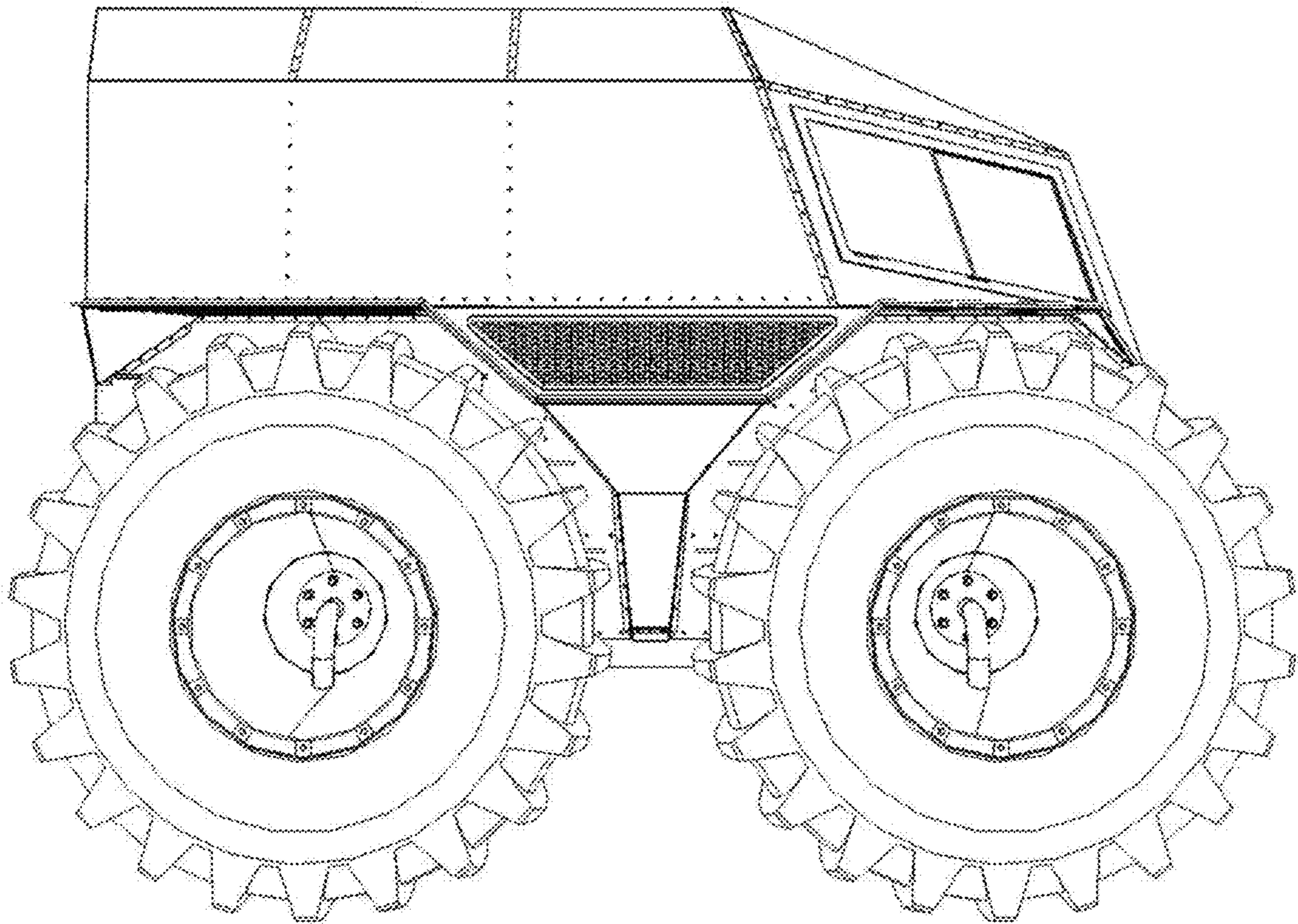
1.1



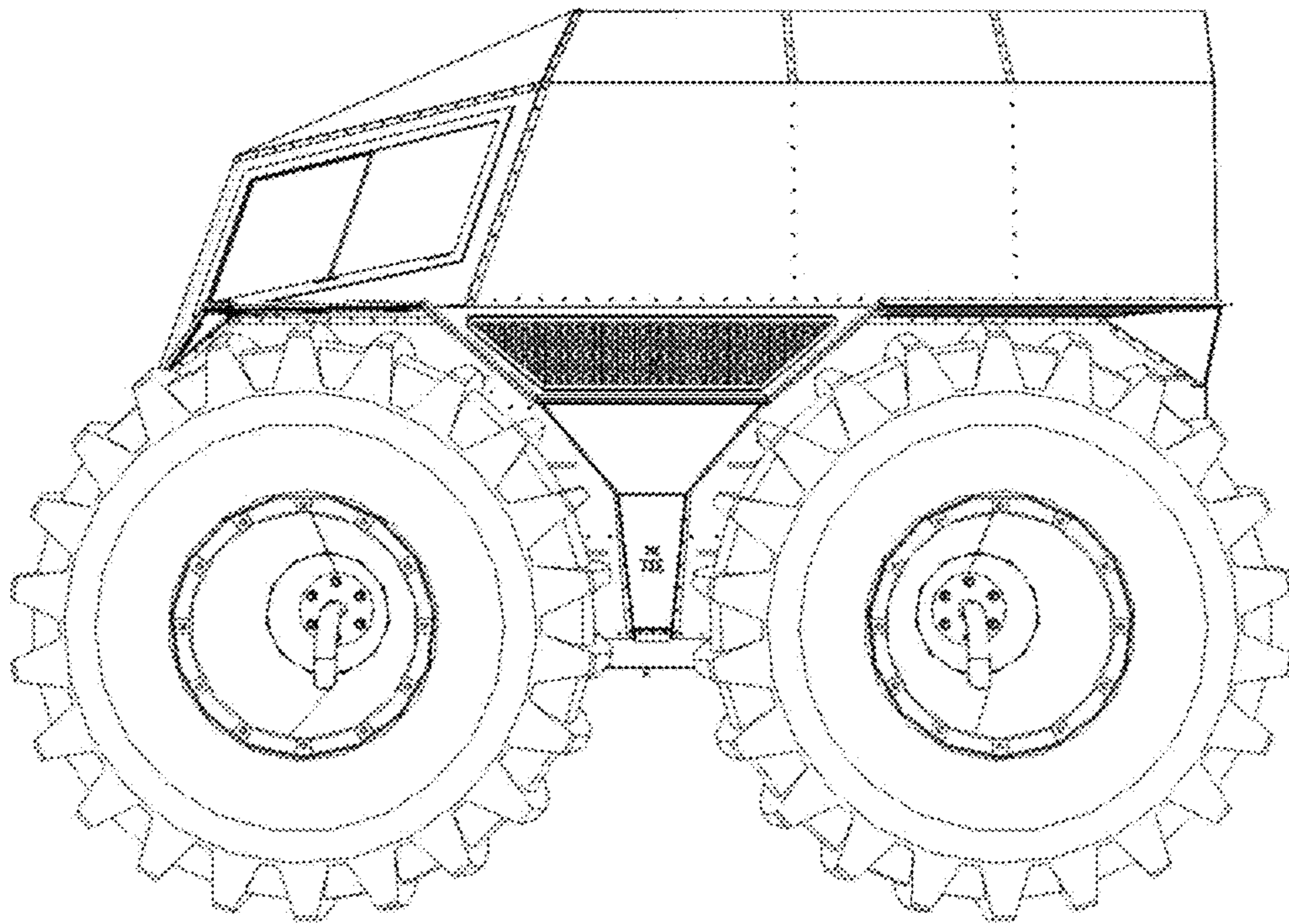
1.2



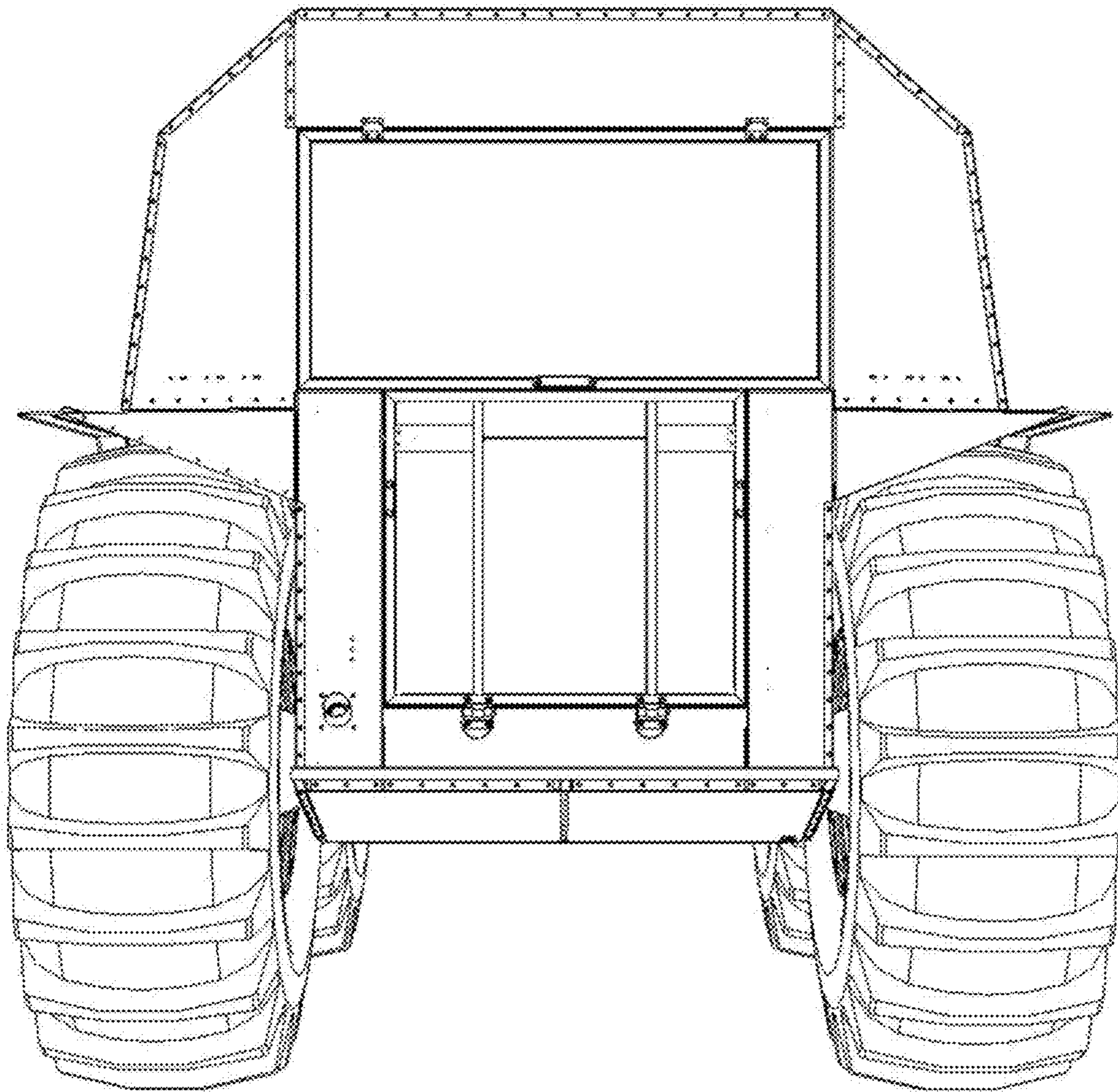
1.3



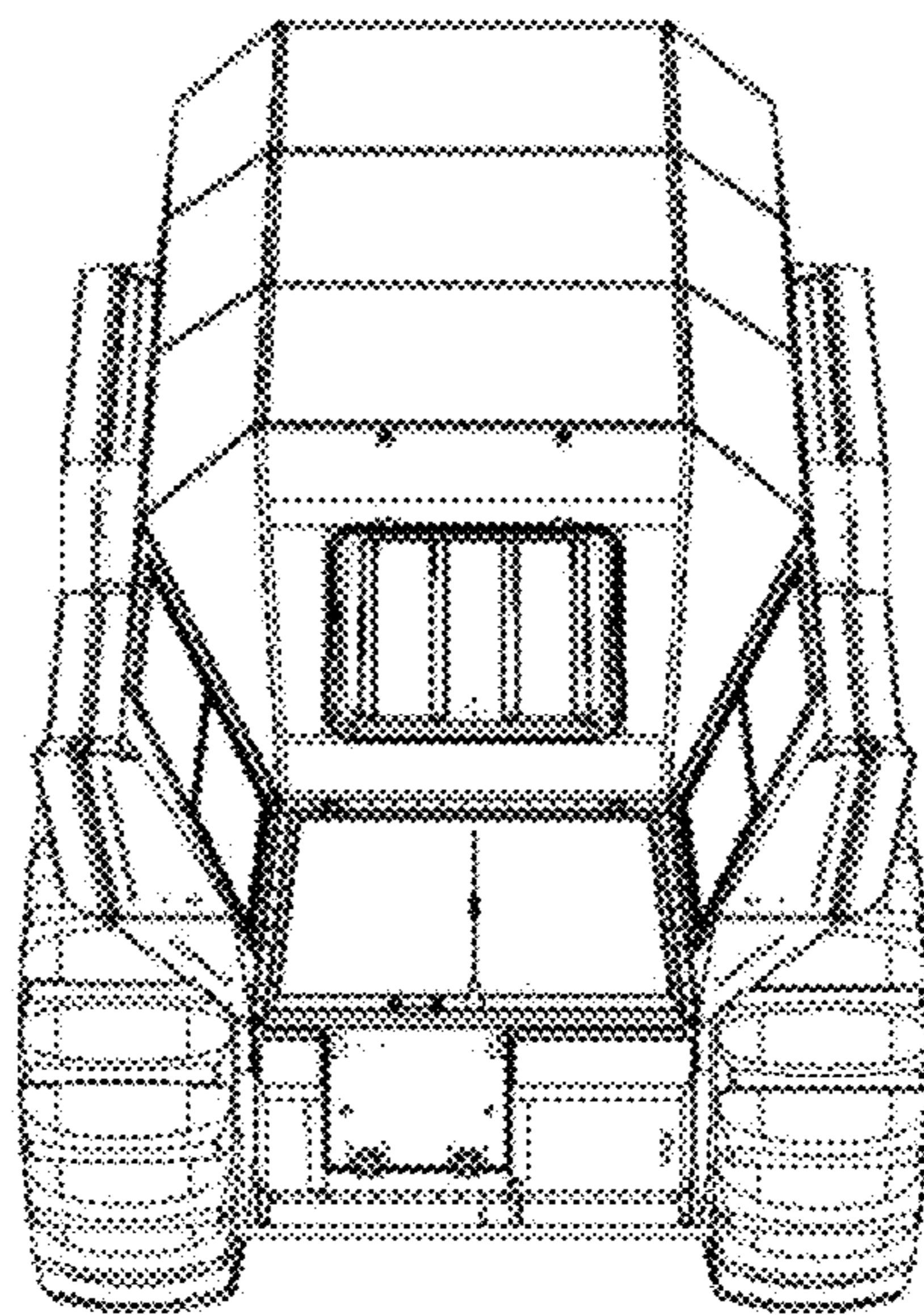
1.4



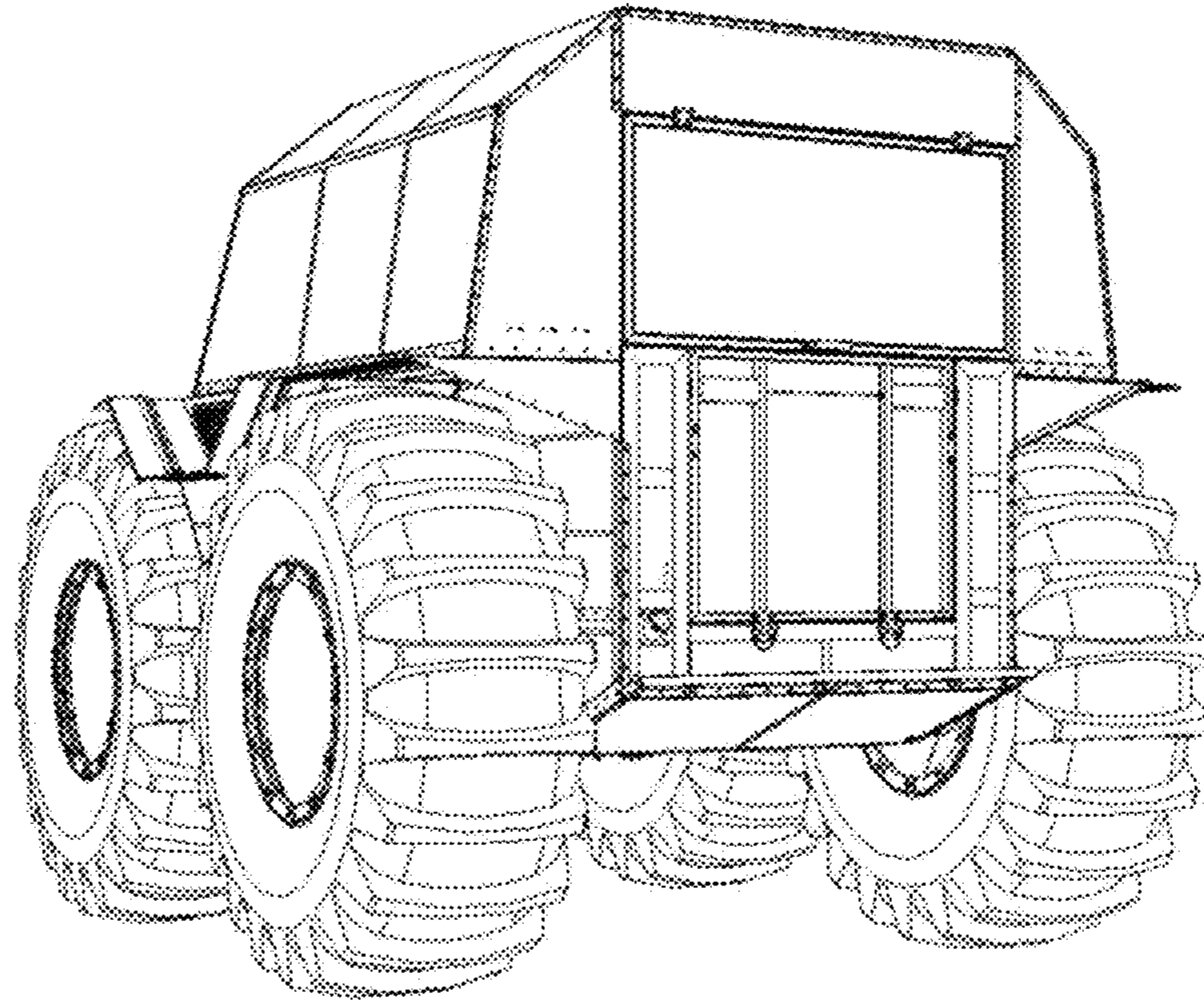
1.5



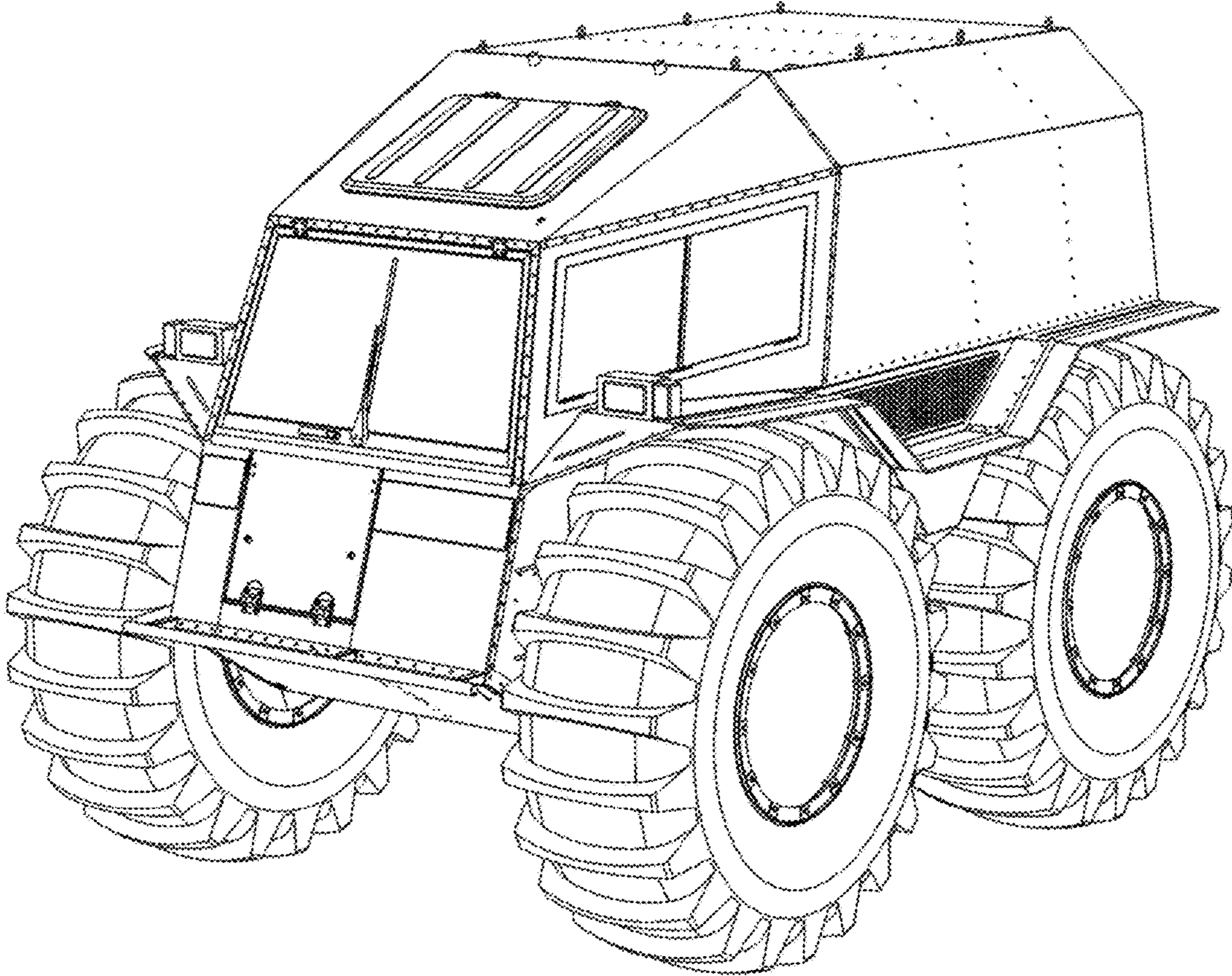
1.6



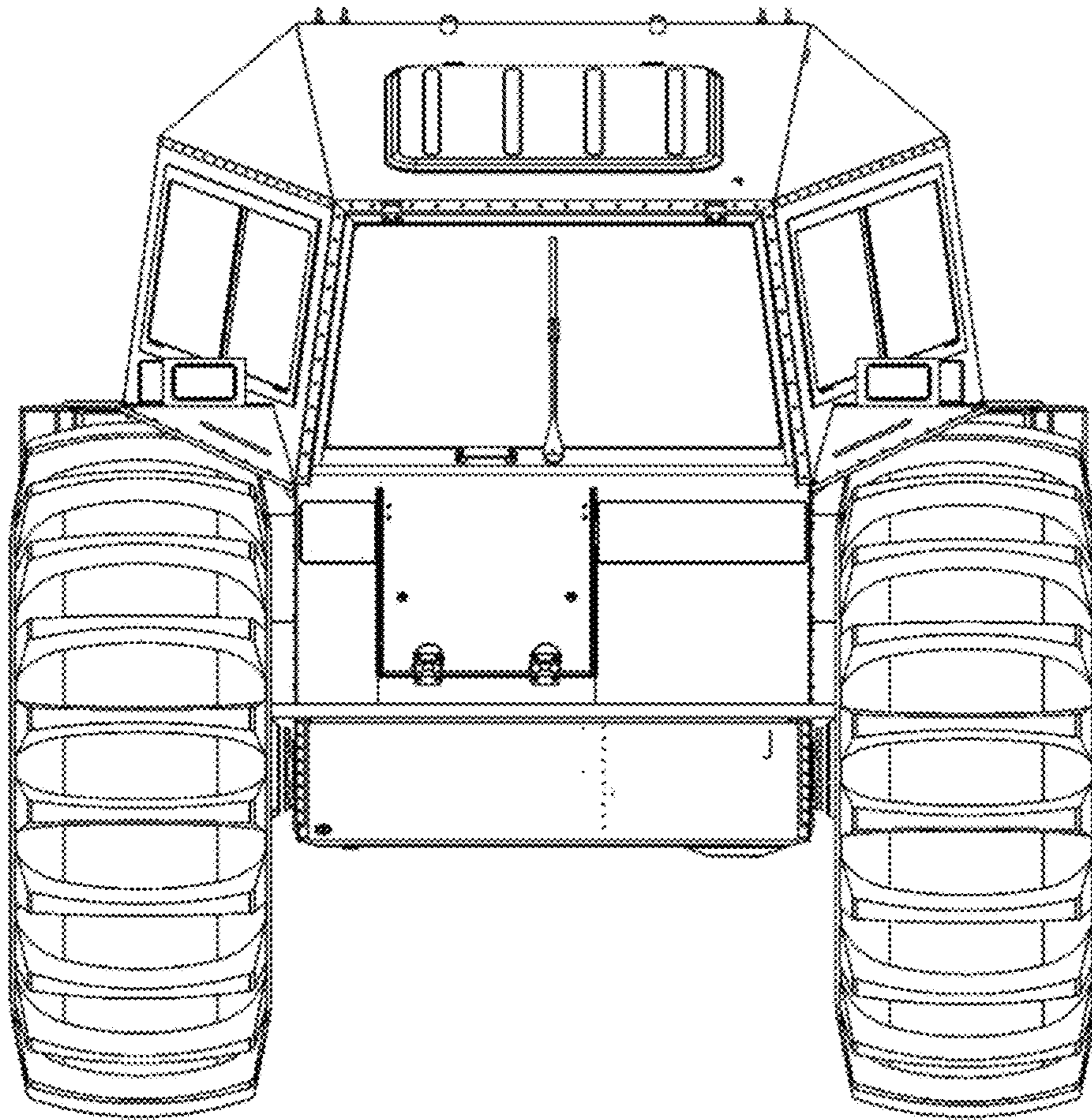
1.7



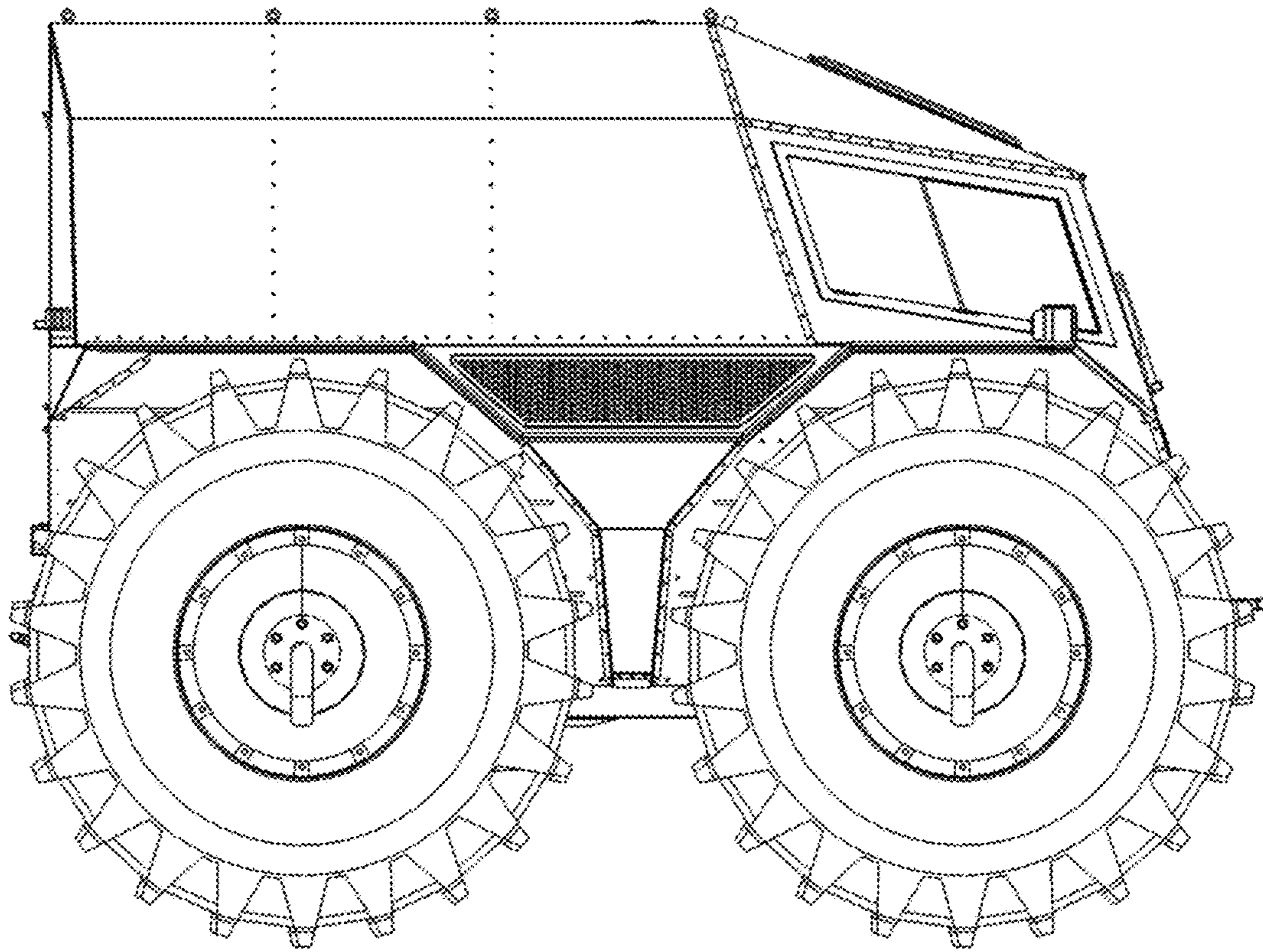
2.1



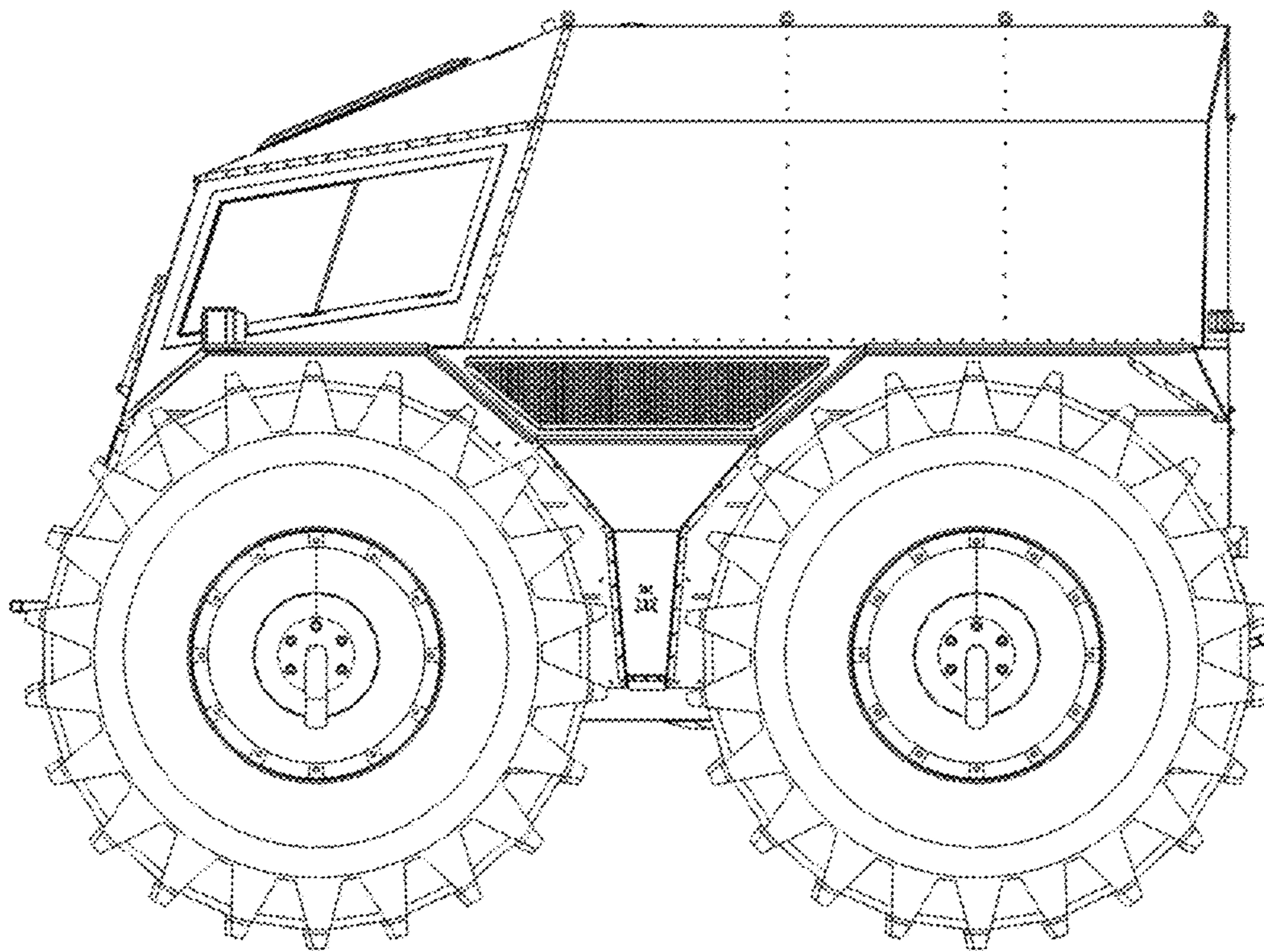
2.2



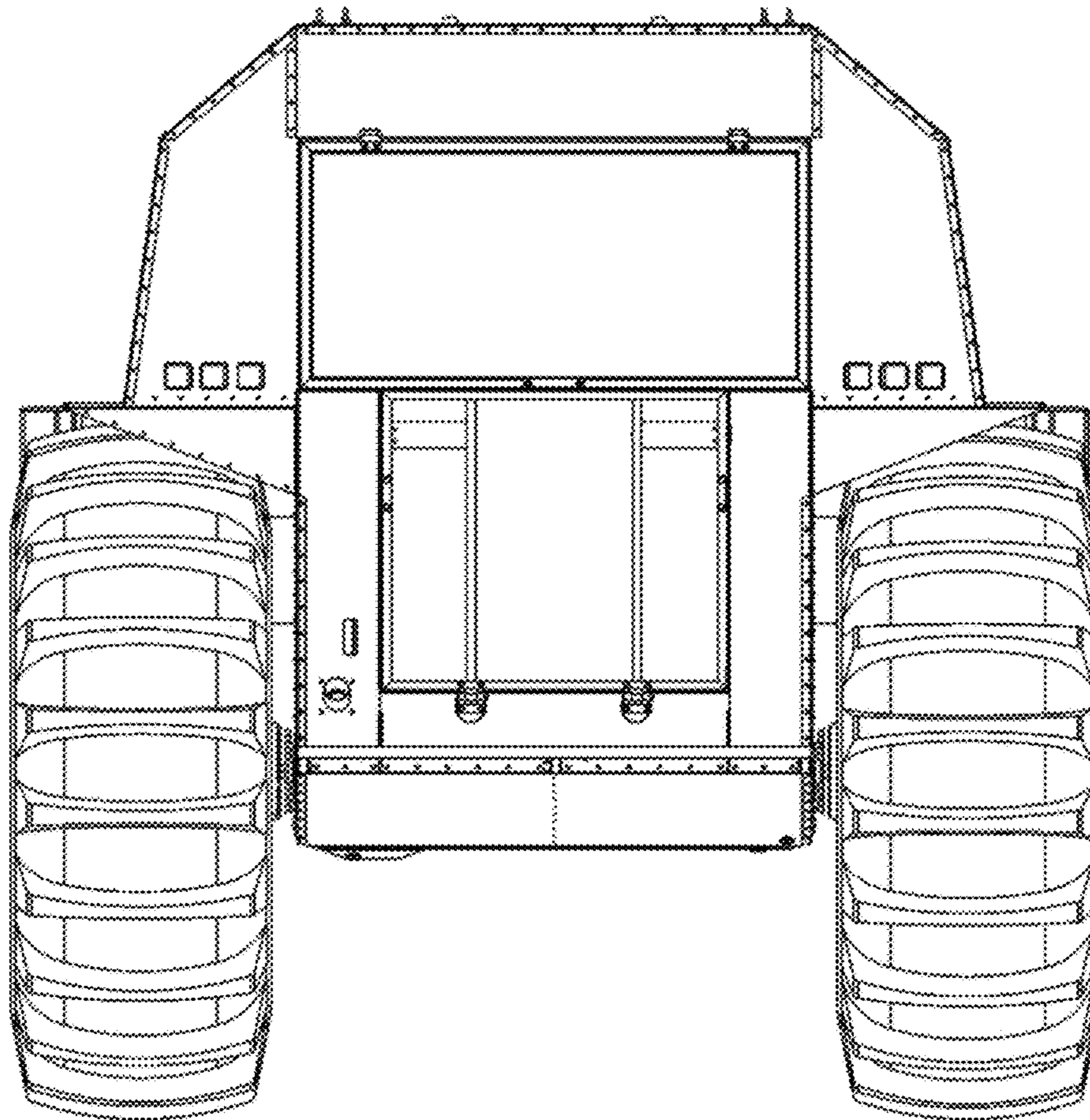
2.3



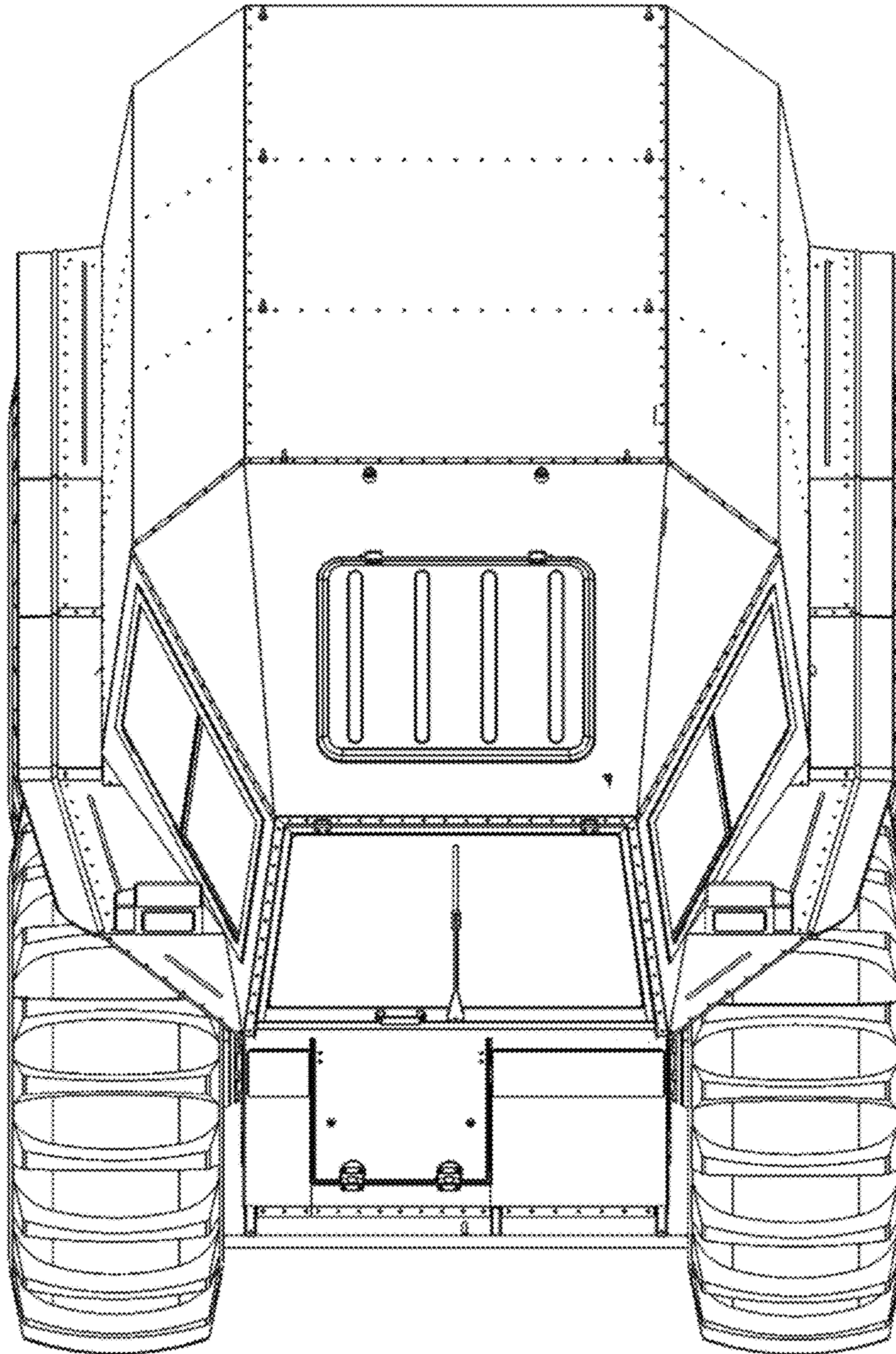
2.4



2.5



2.6



2.7

