



US00D880356S

(12) **United States Design Patent** (10) **Patent No.:** **US D880,356 S**
Amat (45) **Date of Patent:** **** Apr. 7, 2020**

(54) **BUCKLE**
(71) Applicant: **J. Choo Limited**, London (GB)
(72) Inventor: **Lina Amat**, London (GB)
(73) Assignee: **J. Choo Limited**, London (GB)
(**) Term: **15 Years**

D790,388 S * 6/2017 Sassi D11/86
D790,852 S 7/2017 Gerbelle
D797,457 S 9/2017 Gerbelle
D808,657 S 1/2018 Gerbelle
D810,428 S 2/2018 Amat
D840,688 S * 2/2019 Kite D3/324
(Continued)

(21) Appl. No.: **29/646,954**
(22) Filed: **May 8, 2018**

OTHER PUBLICATIONS

Design U.S. Appl. No. 29/600,644, filed Apr. 13, 2017; First named inventor: Gerbelle.

(30) **Foreign Application Priority Data**

Nov. 17, 2017 (EM) 004511640-0001

(Continued)

(51) **LOC (12) Cl.** **11-07**

Primary Examiner — Michael C Stout
Assistant Examiner — John A Voytek

(52) **U.S. Cl.**

(74) *Attorney, Agent, or Firm* — Fross Zelnick Lehrman & Zissu, P.C.; Lawrence E. Apolzon, Esq.

USPC **D11/231**

(58) **Field of Classification Search**

(57) **CLAIM**

USPC D11/95–100, 105, 106, 108, 110, 116,
D11/132, 200, 222, 226, 228–241;
D14/344, 485, 486; D2/627, 828, 829;
D8/387; D99/27, 34

The ornamental design for a buckle, as shown and described.

CPC A44C 7/00; A44C 7/002; H01H 13/70;
Y10S 273/30; A44B 1/14; A44B 1/02;
A44B 1/20; A44B 1/00

DESCRIPTION

See application file for complete search history.

FIG. 1 is a front perspective view of a buckle showing my new design;
FIG. 2 is a back perspective view thereof;
FIG. 3 is a right side view thereof;
FIG. 4 is a left side view thereof;
FIG. 5 is a top view thereof;
FIG. 6 is a bottom view thereof;
FIG. 7 is a front view thereof;
FIG. 8 is a back view thereof; and,
FIG. 9 is a front perspective view of the buckle shown in FIG. 1, shown in the environment of a belt.

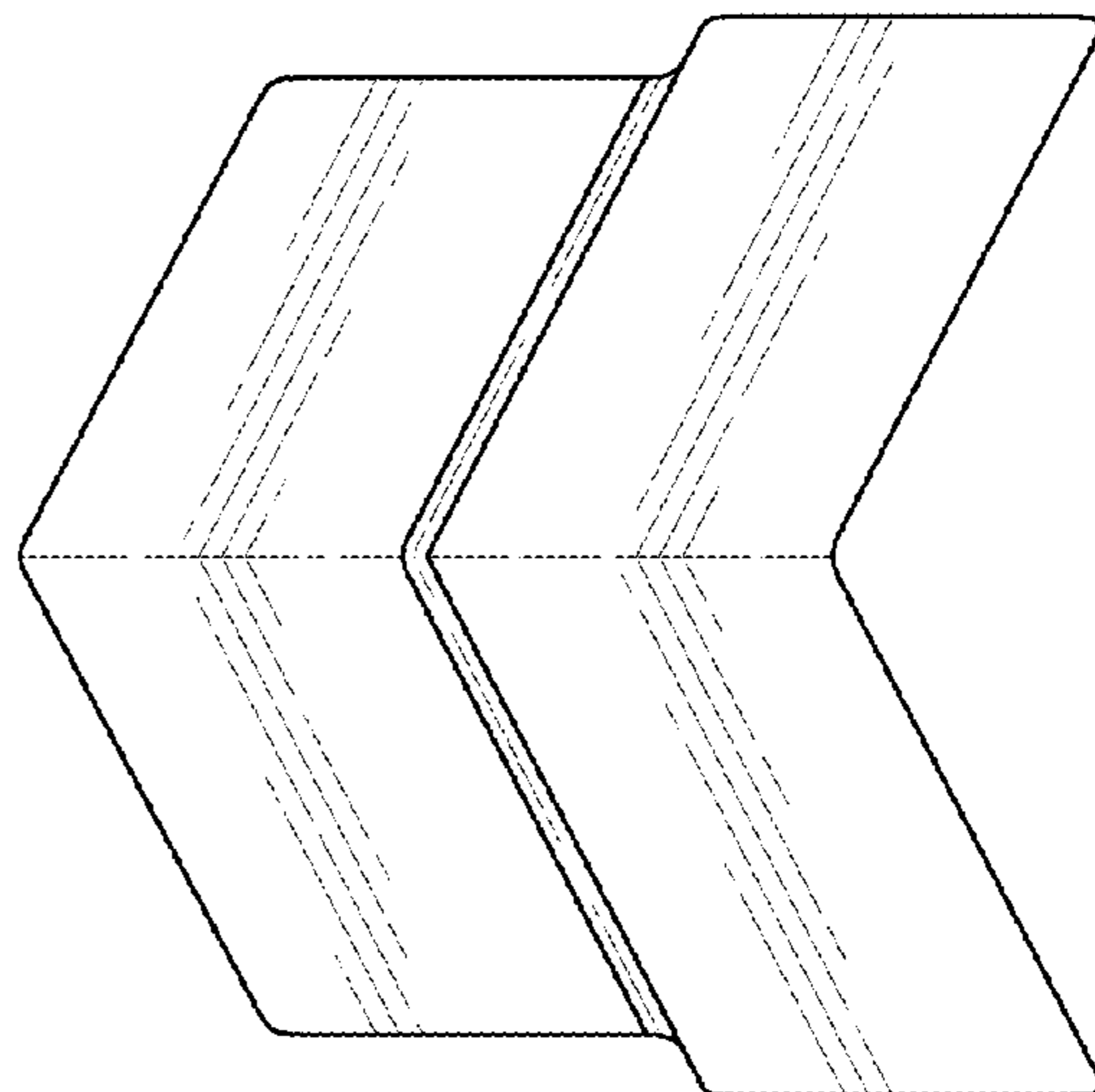
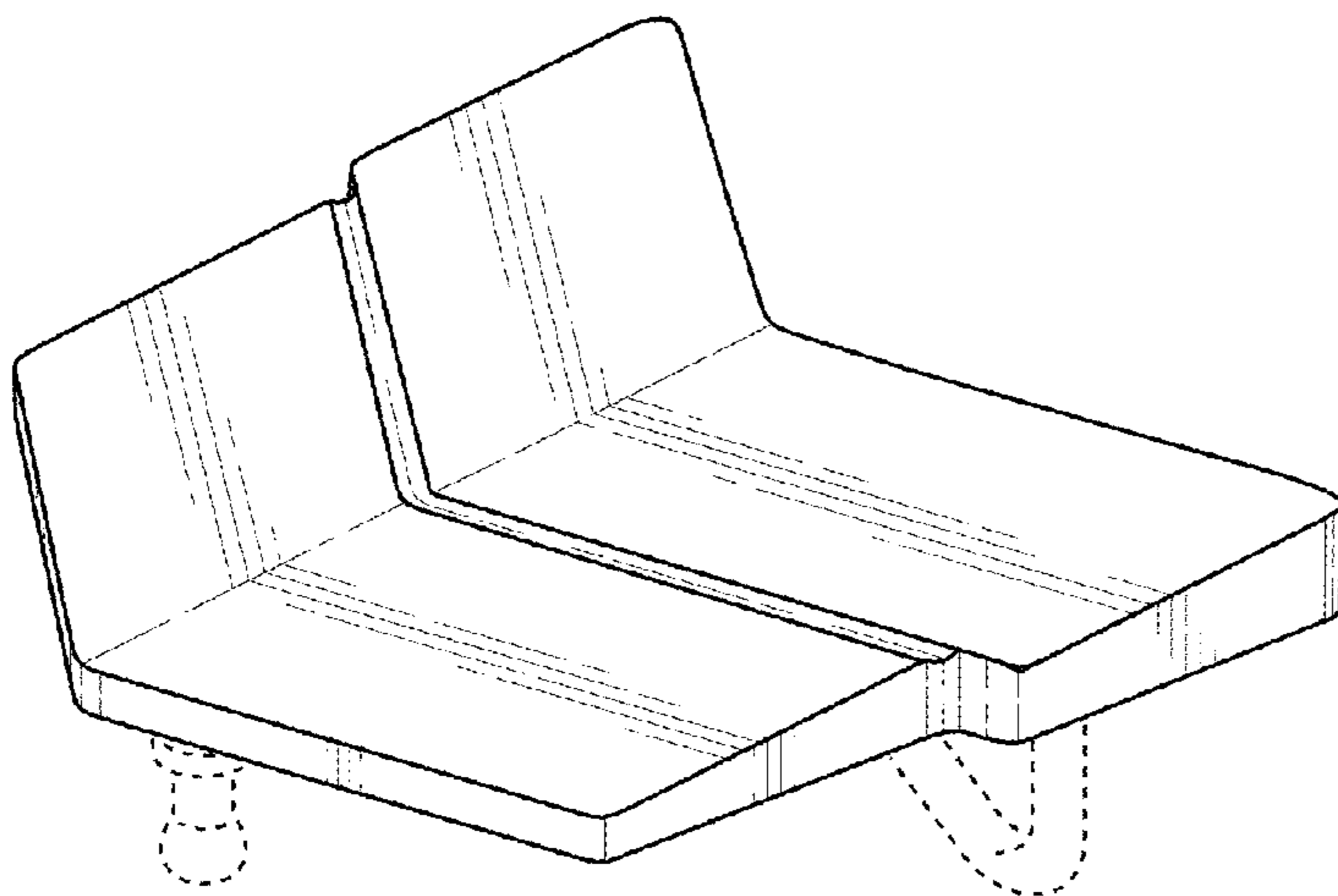
(56) **References Cited**

U.S. PATENT DOCUMENTS

D102,040 S * 11/1936 Schaffer D11/232
D141,584 S * 6/1945 Barber D11/58
D246,488 S * 11/1977 Zimmerman D11/231
D442,113 S * 5/2001 Nisguretsky D11/86
D581,836 S * 12/2008 Bettinardi D11/231
D674,194 S * 1/2013 Saavedra D3/322
D757,596 S * 5/2016 Miceli D11/1
D780,061 S * 2/2017 Sassi D11/238
D787,818 S 5/2017 Gerbelle
D789,693 S 6/2017 Gerbelle

In FIGS. 1-8, the broken lines shown in the drawings depict portions of the buckle that form no part of the claim. The broken lines in FIG. 9 include the showing of a belt which depicts environmental subject matter, and forms no part of the claim.

1 Claim, 5 Drawing Sheets



(56)

References Cited

U.S. PATENT DOCUMENTS

D843,730 S * 3/2019 Amat D3/324
D845,620 S * 4/2019 Gerbelle D3/232

OTHER PUBLICATIONS

Design U.S. Appl. No. 29/603,588, filed May 10, 2017; First named inventor: Gerbelle.

Design U.S. Appl. No. 29/604,476, filed May 17, 2017; First named inventor: Kite.

Design U.S. Appl. No. 29/619,195, filed Sep. 27, 2017; First named inventor: Kite.

Design U.S. Appl. No. 29/626,812, filed Nov. 20, 2017; First named inventor: Amat.

Design U.S. Appl. No. 29/626,934, filed Nov. 21, 2017; First named inventor: Amat.

* cited by examiner

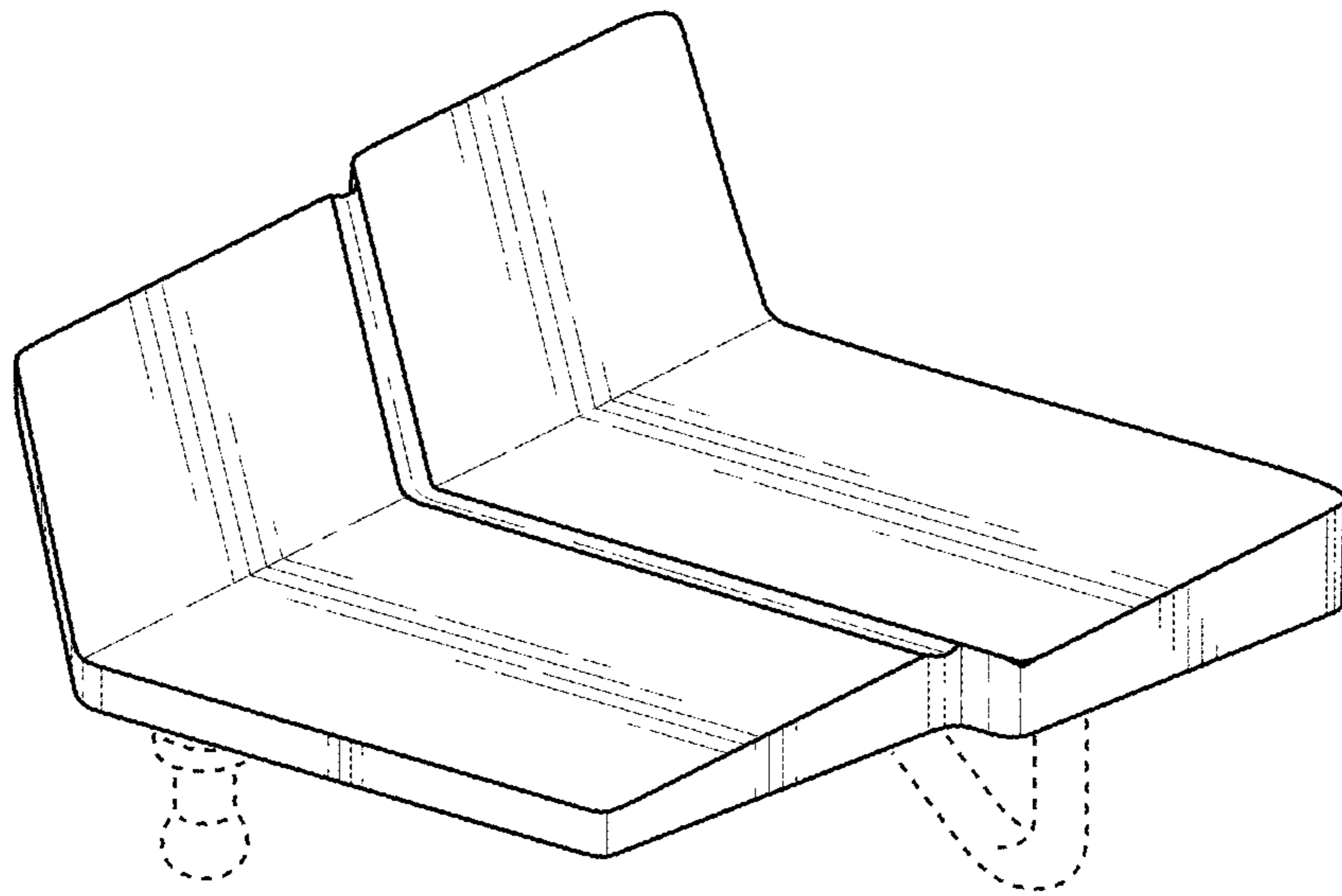


FIG. 1

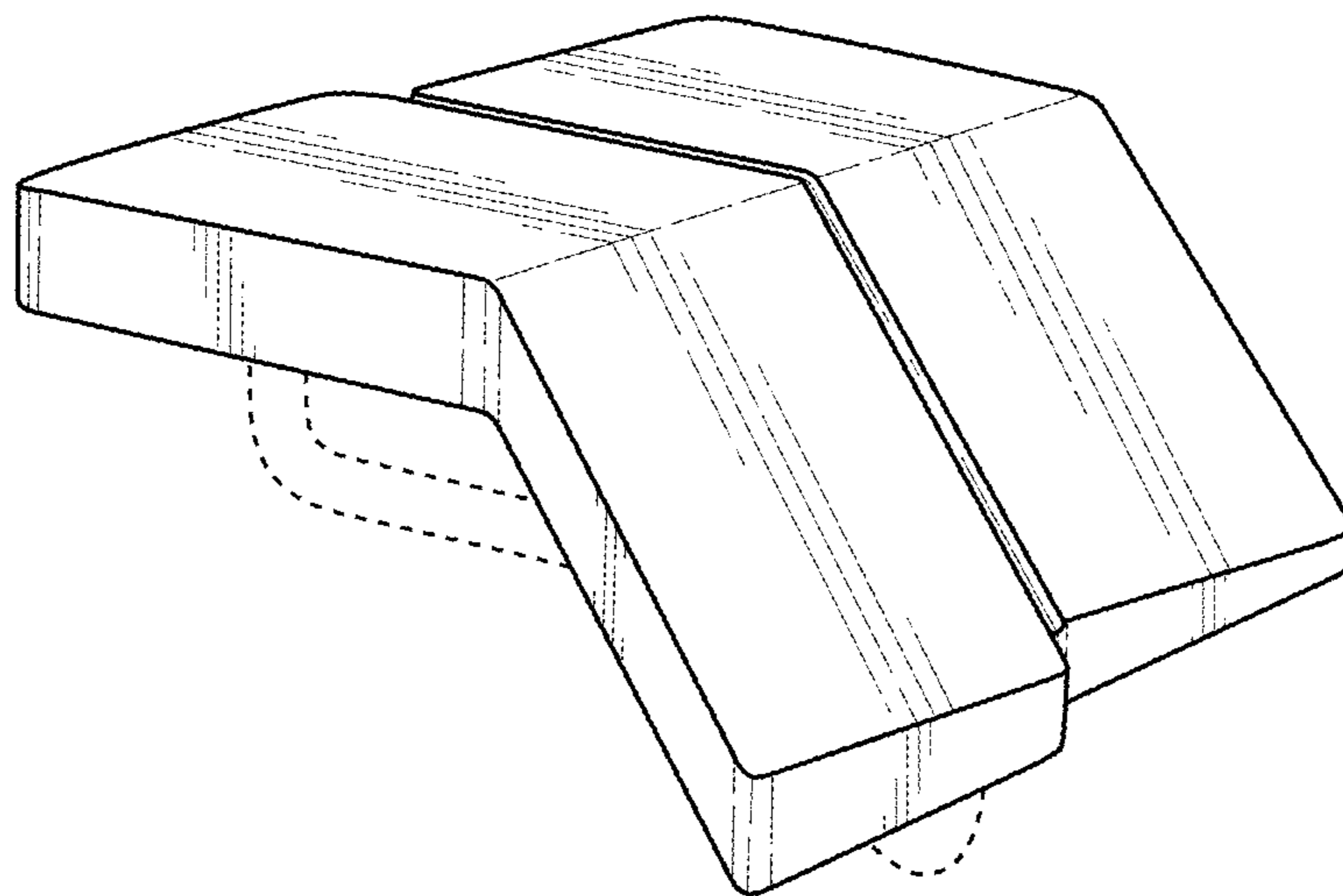


FIG. 2

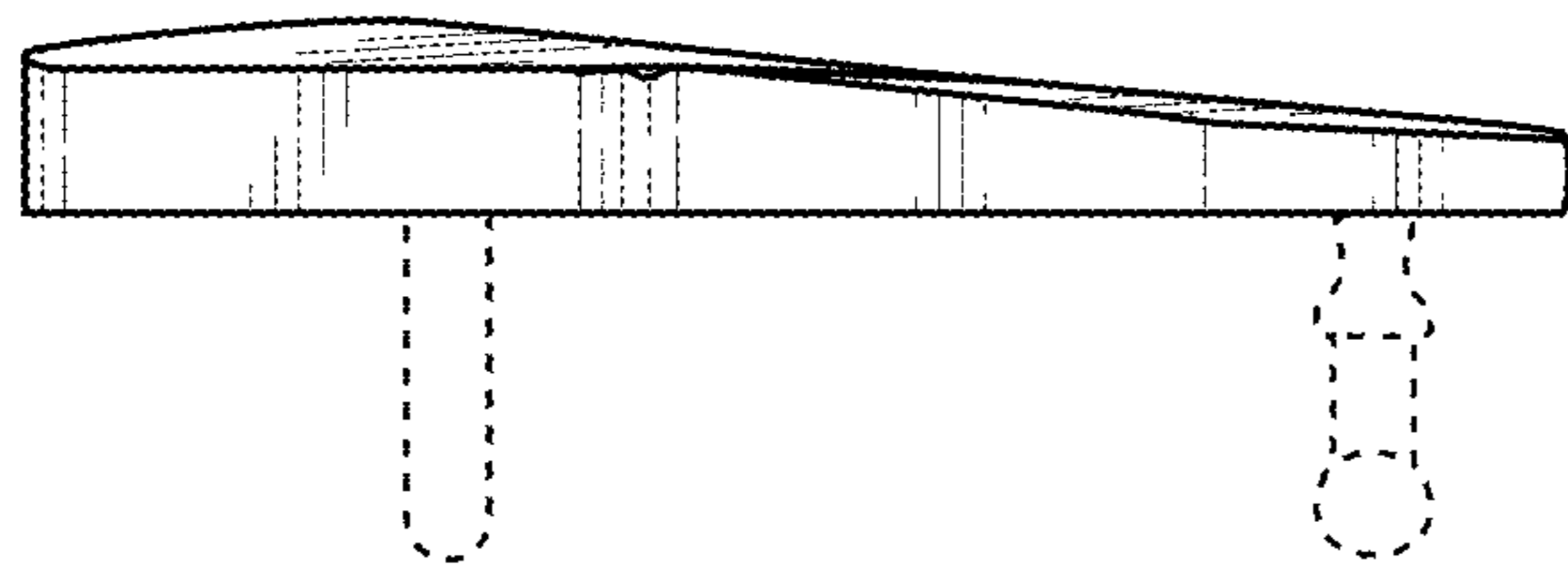


FIG. 3

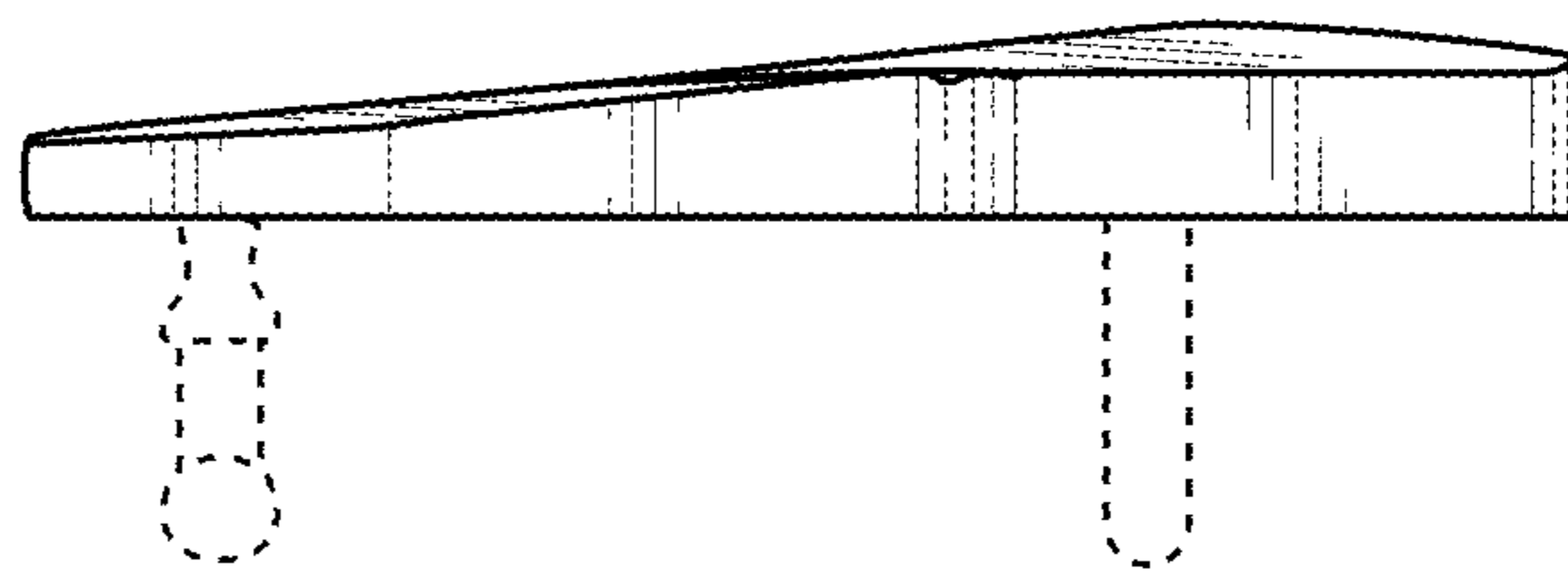


FIG. 4

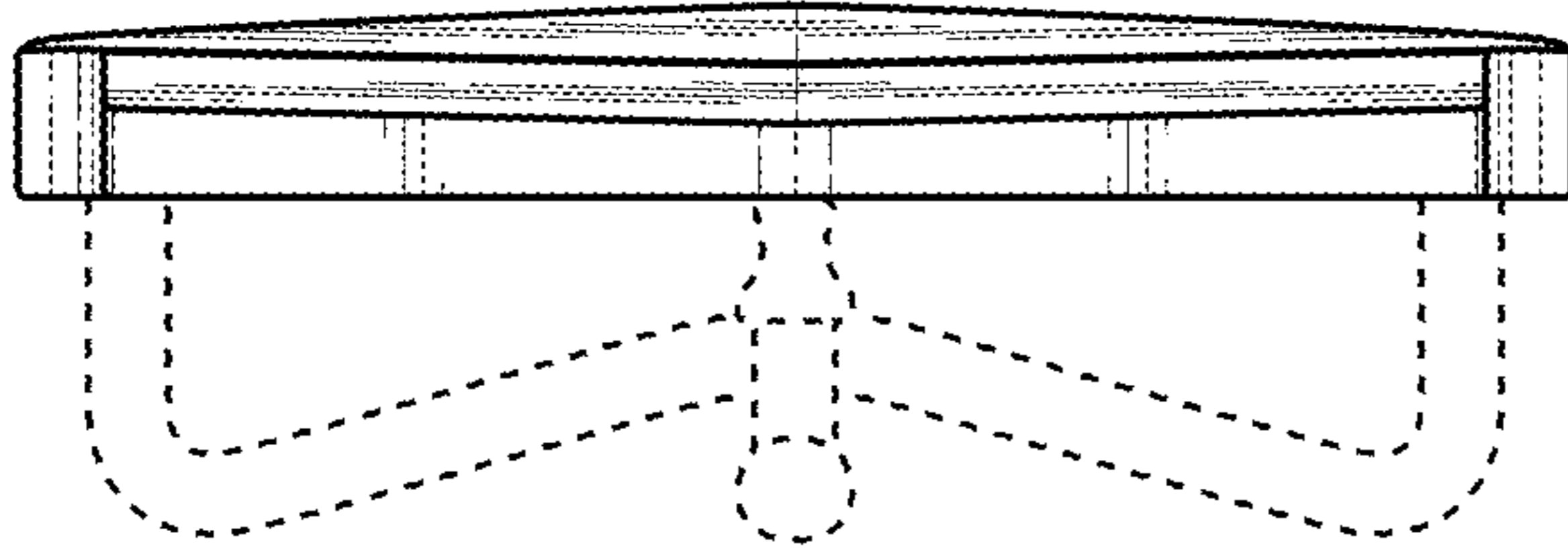


FIG. 5

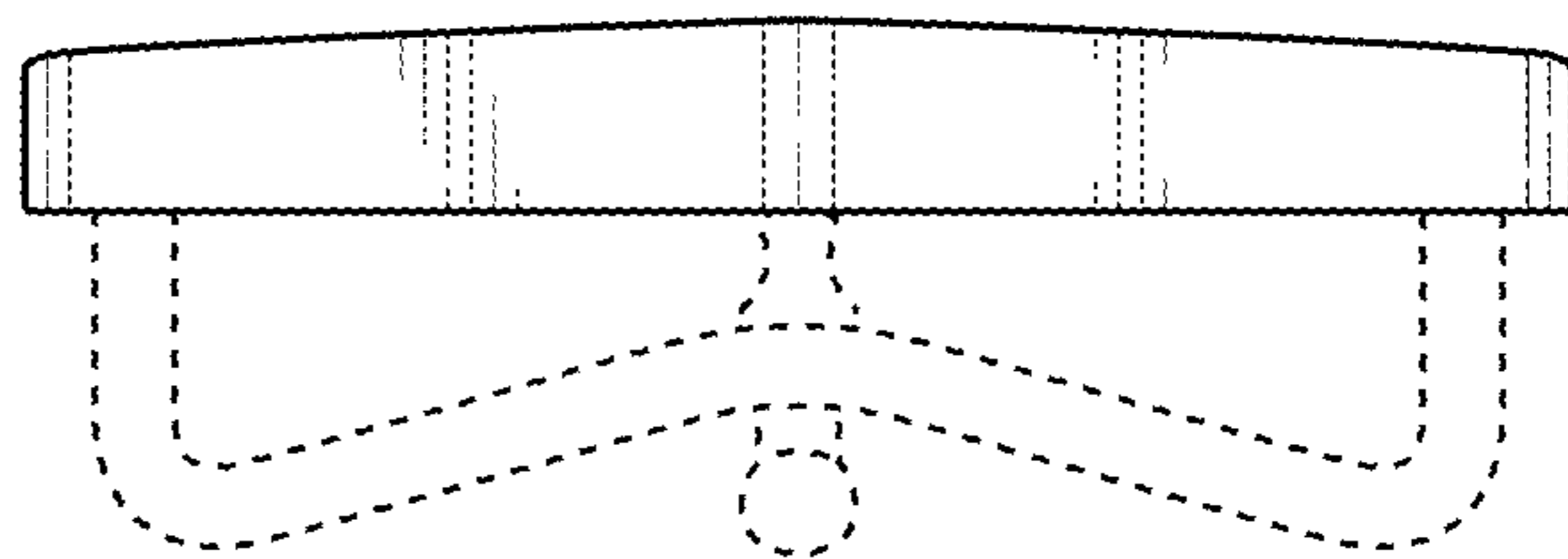


FIG. 6

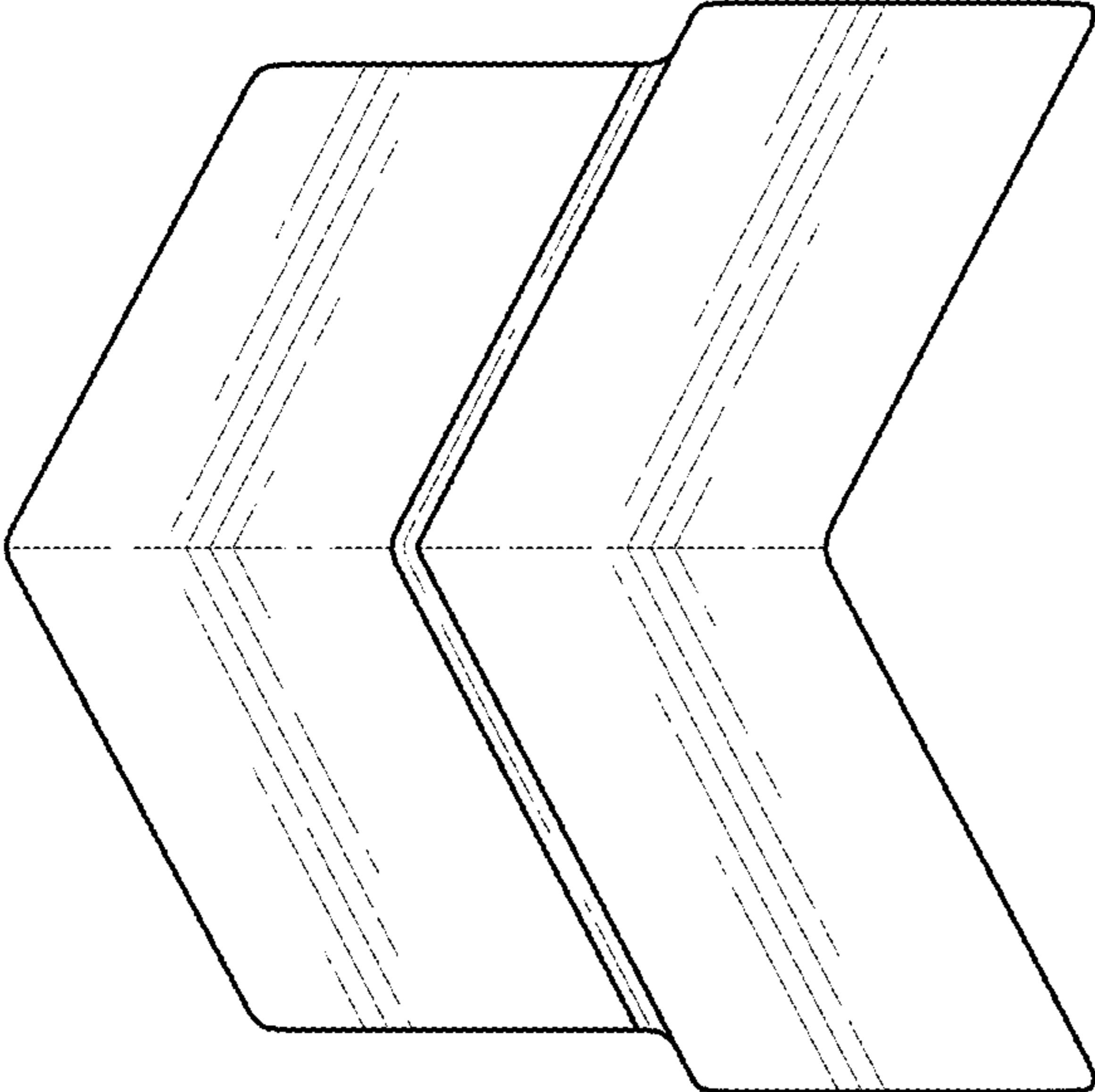


FIG. 7

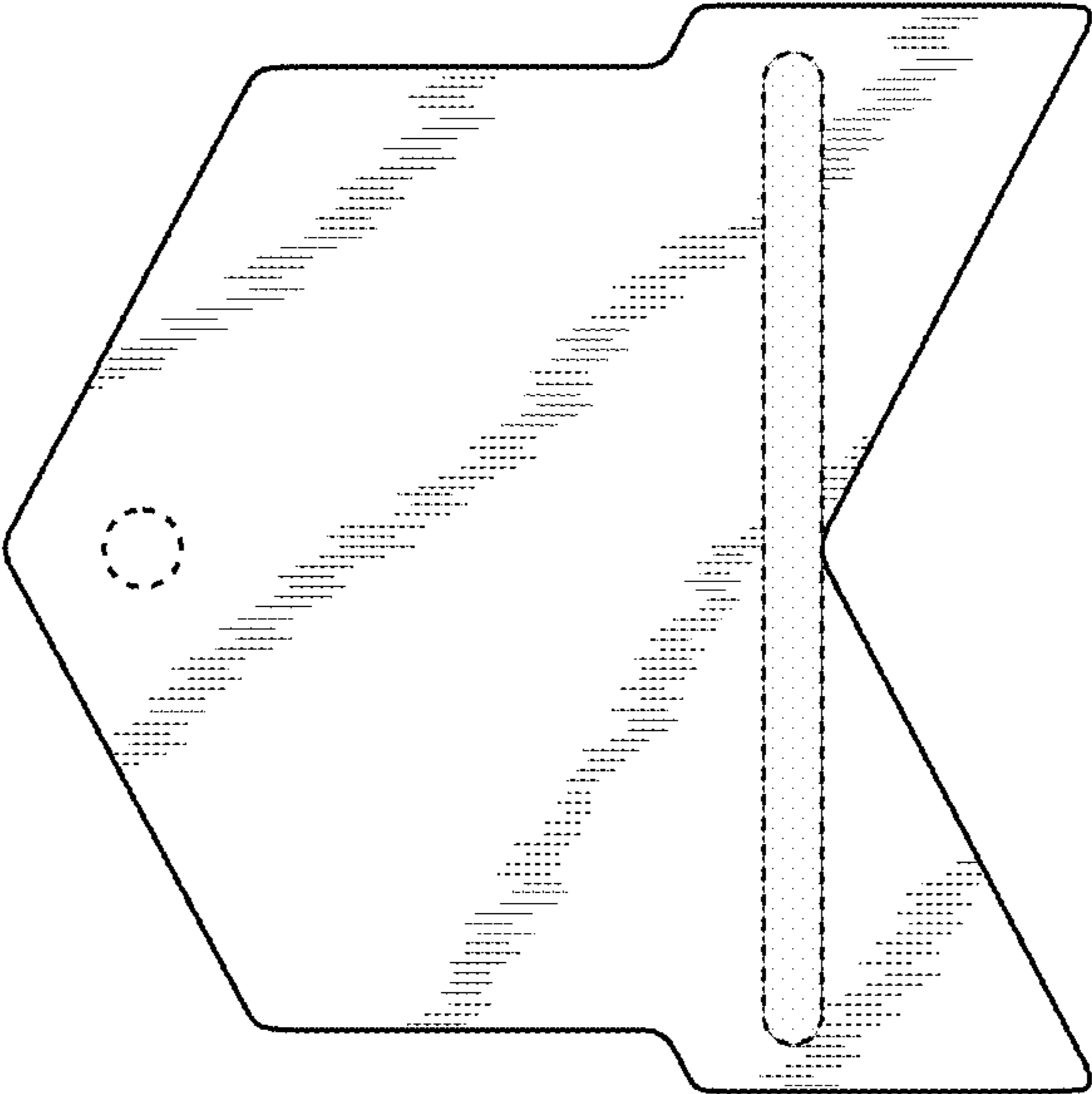


FIG. 8

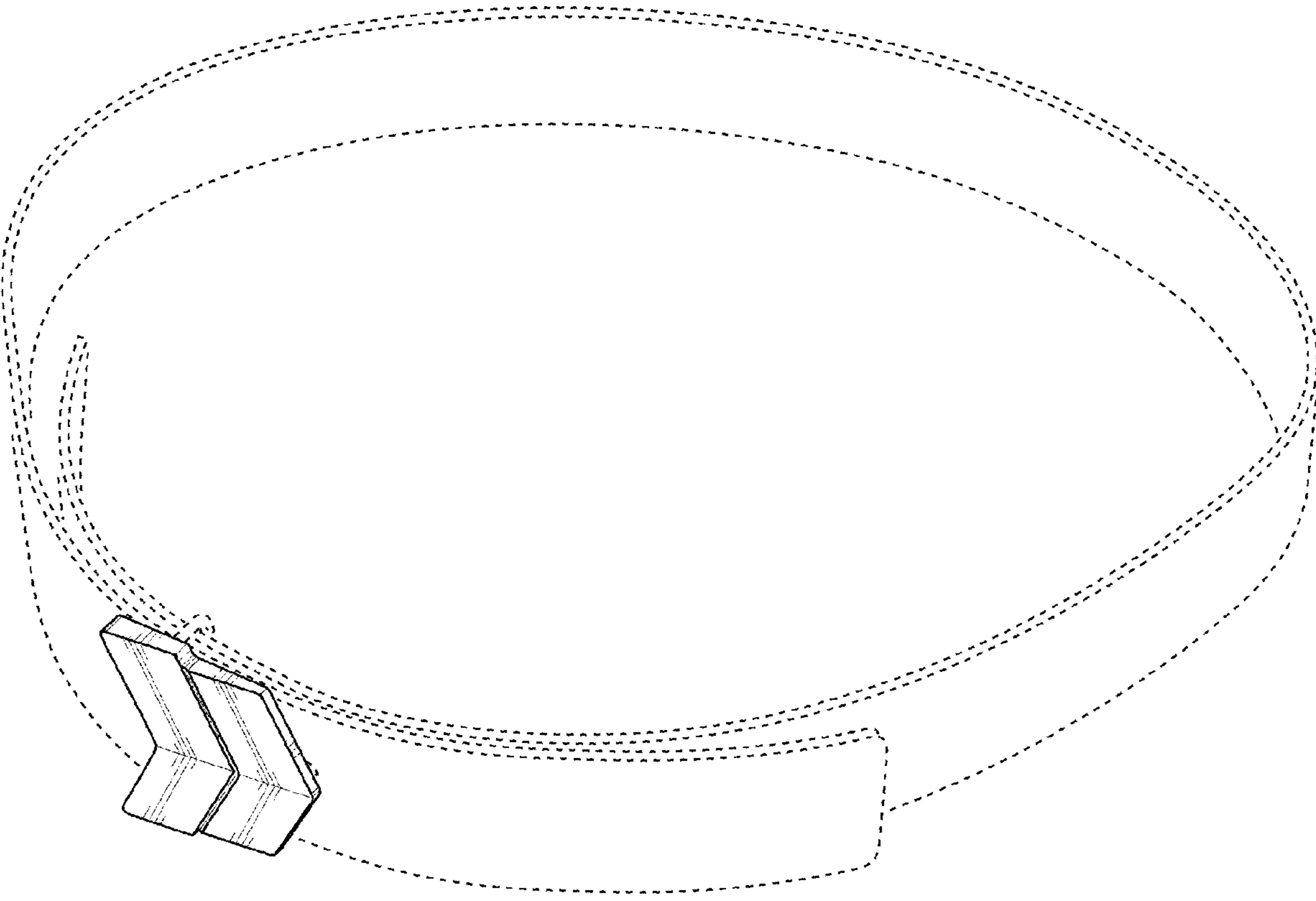


FIG. 9