



US00D880354S

(12) **United States Design Patent**
Hung

(10) **Patent No.:** **US D880,354 S**

(45) **Date of Patent:** **** Apr. 7, 2020**

(54) **SLIDER**

(71) Applicant: **IDEAL FASTENER (GUANGDONG) INDUSTRIES LTD.**, Zhaoqing, Guangdong (CN)

(72) Inventor: **Franklin Chi Yen Hung**, Guangdong (CN)

(73) Assignee: **IDEAL FASTENER (GUANGDONG) INDUSTRIES LTD.**, Zhaoqing (CN)

(**) Term: **15 Years**

(21) Appl. No.: **29/625,875**

(22) Filed: **Nov. 13, 2017**

(30) **Foreign Application Priority Data**

Sep. 26, 2017 (CN) 2017 3 0459918

(51) **LOC (12) Cl.** **02-07**

(52) **U.S. Cl.**
USPC **D11/221**

(58) **Field of Classification Search**

USPC D2/639, 705, 828, 853, 911, 946, 976;
D3/252, 285, 298, 301, 318, 324;
D8/310, 352, 367; D11/1, 43, 60, 79, 80,
D11/86, 97, 200, 201, 221; D20/22, 28;
D29/122
CPC A44B 19/00; A44B 19/02; A44B 19/04;
A44B 19/06; A44B 19/08; A44B 19/10;
A44B 19/24; A44B 19/26; A44B 19/28;
A44B 19/30; A44B 19/262; A44B
19/386; A44B 19/388

See application file for complete search history.

(56) **References Cited**

U.S. PATENT DOCUMENTS

2,373,523 A * 4/1945 Winterhalter A44B 19/30
24/421
4,525,903 A * 7/1985 Ishii A44B 19/26
24/429

4,570,309 A * 2/1986 Ishii A44B 19/26
24/429
5,551,129 A * 9/1996 Chu A44B 19/26
24/419

(Continued)

Primary Examiner — Kevin K Rudzinski
Assistant Examiner — Richard Kearney

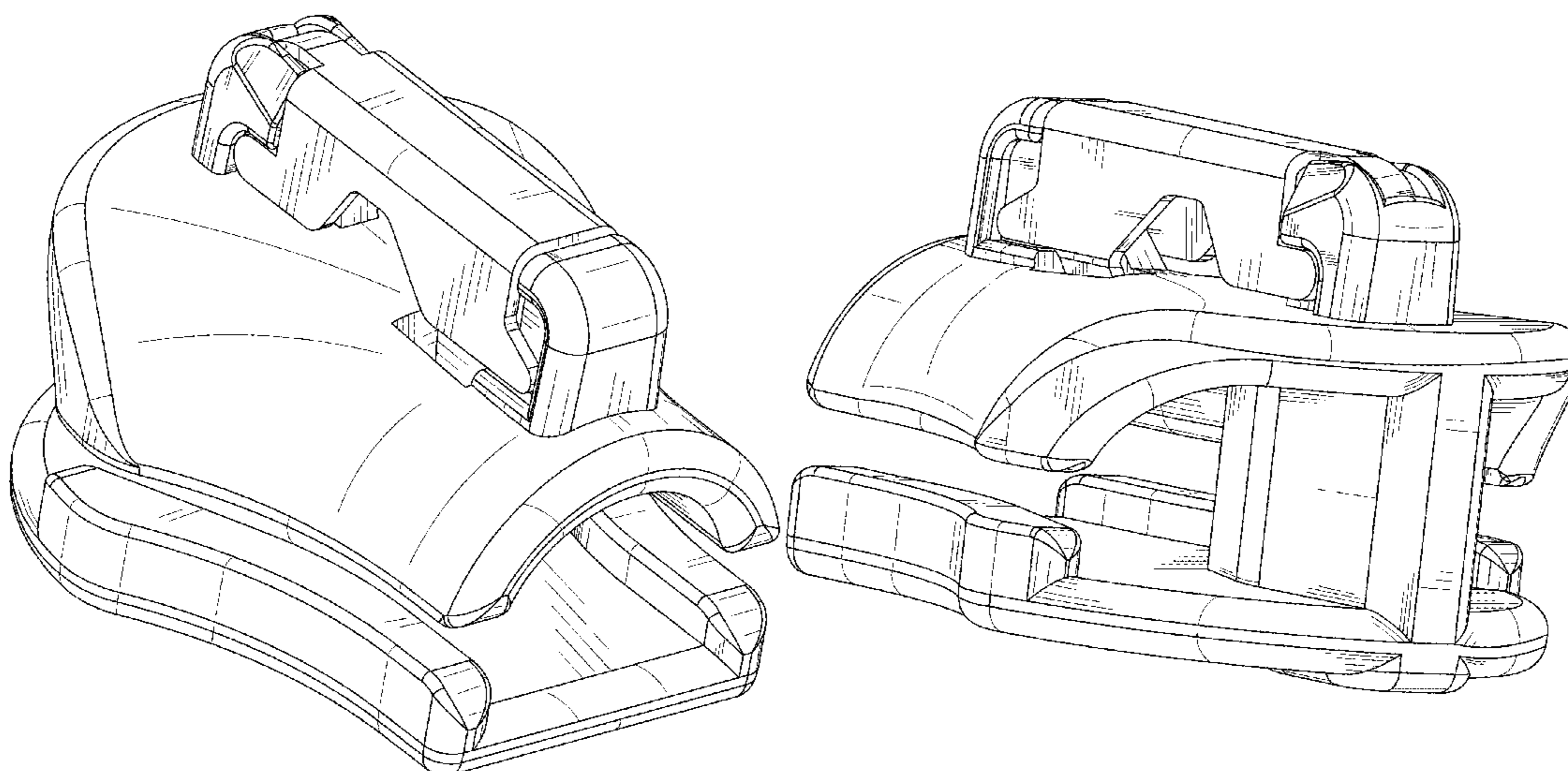
(57) **CLAIM**

The ornamental design for a slider, as shown and described.

DESCRIPTION

FIG. 1 is a front elevational view of a first embodiment of a slider showing my new design;
FIG. 2 is a rear elevational view thereof;
FIG. 3 is a left side view thereof;
FIG. 4 is a right side view thereof;
FIG. 5 is a top plan view thereof;
FIG. 6 is a bottom plan view thereof;
FIG. 7 is a first perspective view thereof;
FIG. 8 is a second perspective view thereof;
FIG. 9 is a third perspective view thereof;
FIG. 10 is a fourth perspective view thereof;
FIG. 11 is a front elevational view of a second embodiment of the slider;
FIG. 12 is a rear elevational view of FIG. 11;
FIG. 13 is a left side view of FIG. 11;
FIG. 14 is a right side view of FIG. 11;
FIG. 15 is a top plan view of FIG. 11;
FIG. 16 is a bottom plan view of FIG. 11;
FIG. 17 is a first perspective view of FIG. 11;
FIG. 18 is a second perspective view of FIG. 11;
FIG. 19 is a third perspective view of FIG. 11; and,
FIG. 20 is a fourth perspective view of FIG. 11.
The broken lines in the drawings illustrate portions of the slider which form no part of the claimed design.

1 Claim, 20 Drawing Sheets



(56)

References Cited

U.S. PATENT DOCUMENTS

5,568,674 A * 10/1996 Harada A44B 19/26
24/429
5,621,954 A * 4/1997 Mizuno A44B 19/26
24/429
5,864,928 A * 2/1999 Matsushima A44B 19/26
24/421
D497,836 S * 11/2004 Iwase D11/221
D499,668 S * 12/2004 Iwase D11/221
D556,088 S * 11/2007 Cossutti D11/221
D558,091 S * 12/2007 Cossutti D11/221
D579,379 S * 10/2008 Lin D11/221
D631,790 S * 2/2011 Keyaki D11/221
D643,332 S * 8/2011 Iwase D11/221
D643,333 S * 8/2011 Iwase D11/221
D643,777 S * 8/2011 Iwase D11/221
D643,779 S * 8/2011 Di Girolami D11/221
D673,076 S * 12/2012 Hsiang D11/221
D705,124 S * 5/2014 Wang D11/221
D741,750 S * 10/2015 Ng D11/221
D778,781 S * 2/2017 Wang D11/221
D804,989 S * 12/2017 Hung D11/221
D830,895 S * 10/2018 Hung D11/221
2003/0079317 A1 * 5/2003 Oda A44B 19/26
24/429
2016/0095393 A1 * 4/2016 Lin A44B 19/26
24/403
2019/0159556 A1 * 5/2019 Lin A44B 19/26

* cited by examiner

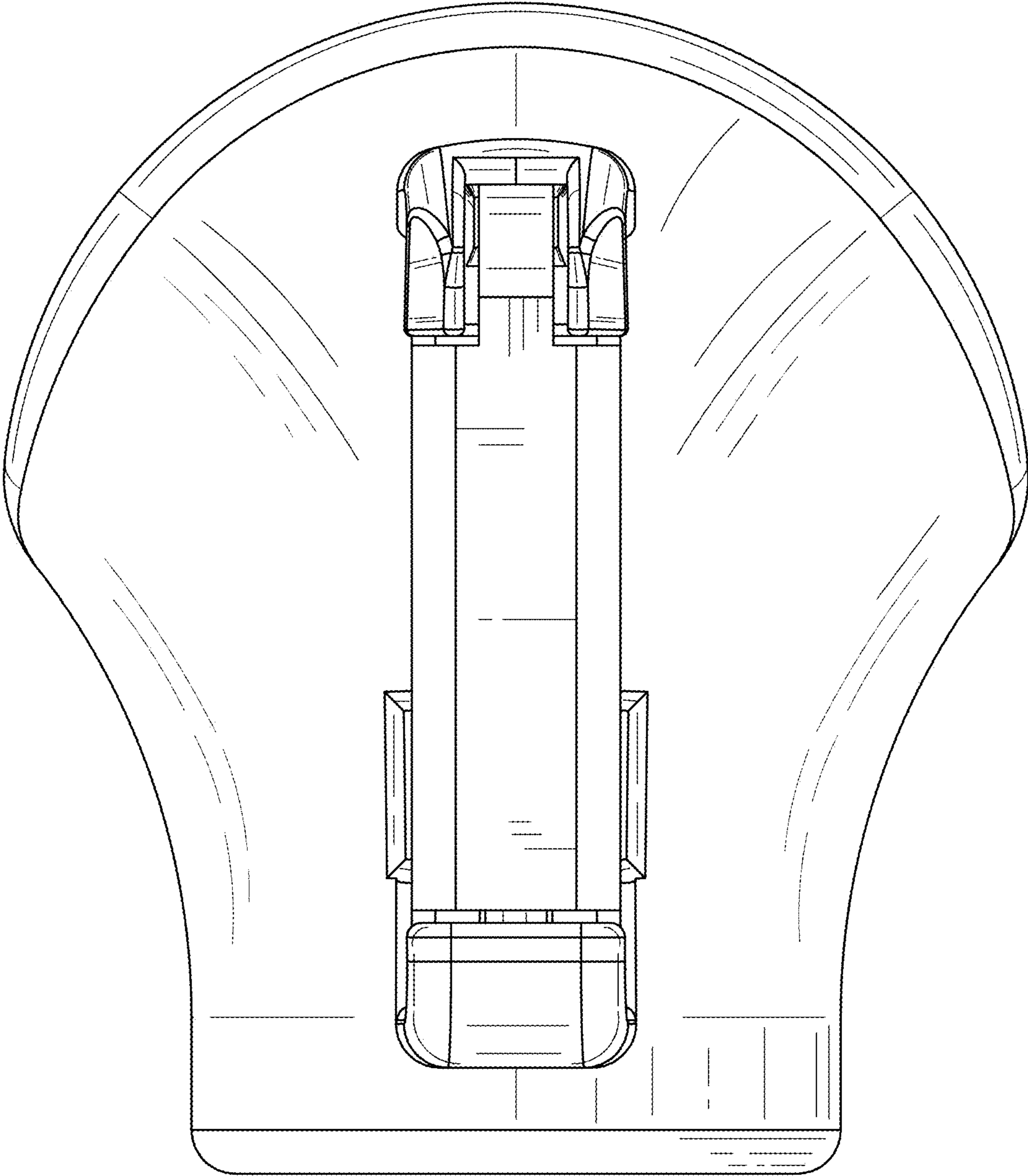


Fig. 1

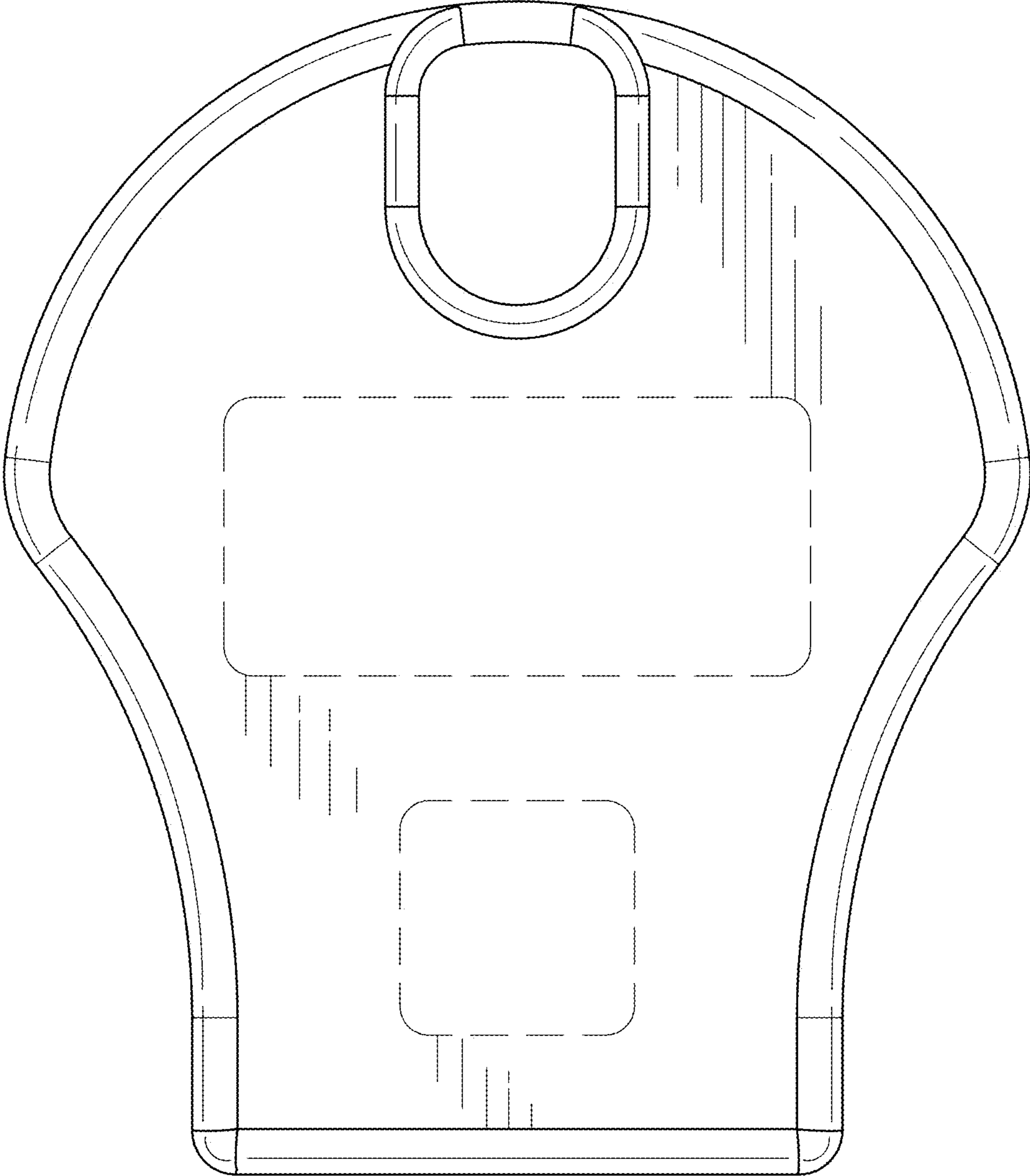


Fig. 2

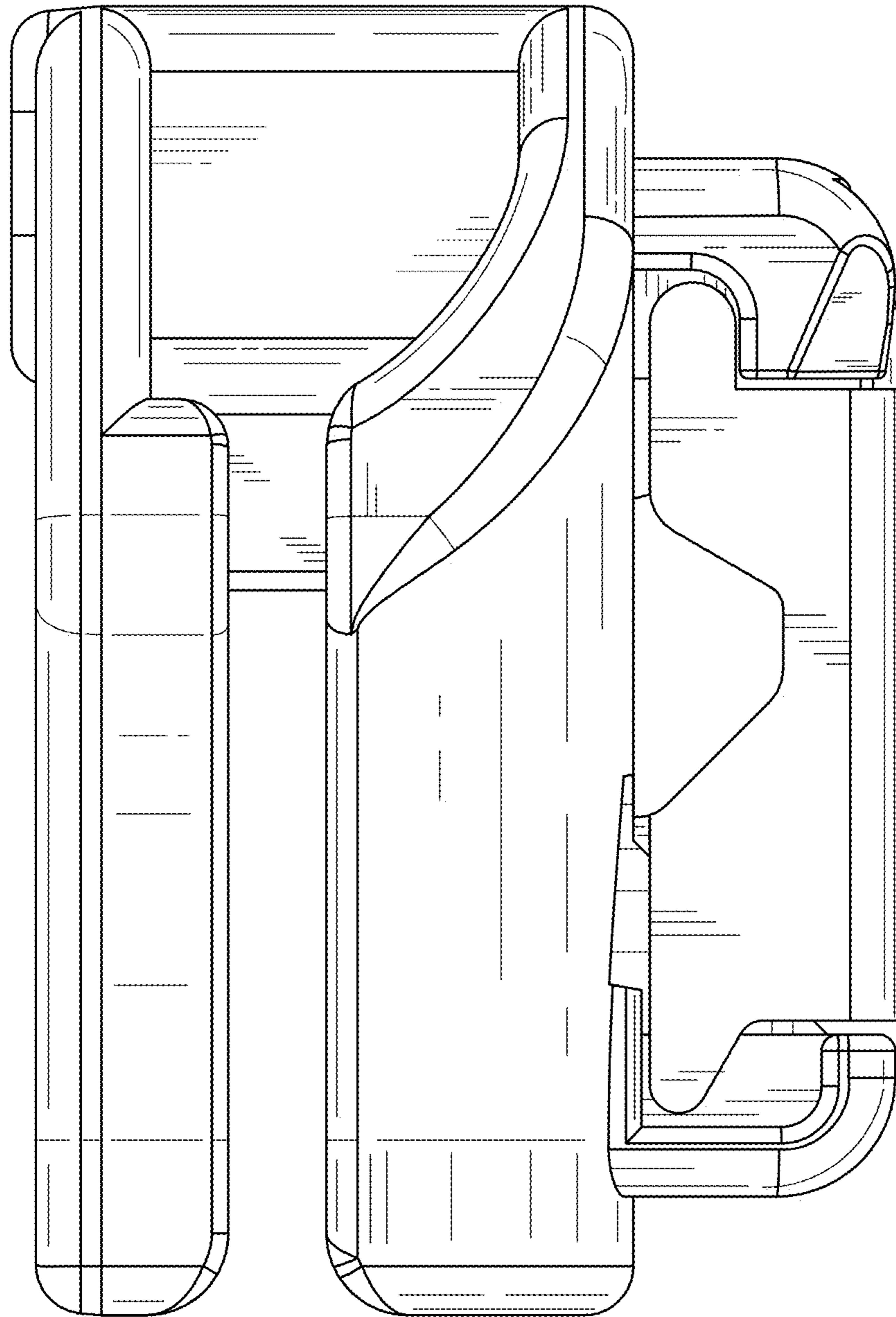


Fig. 3

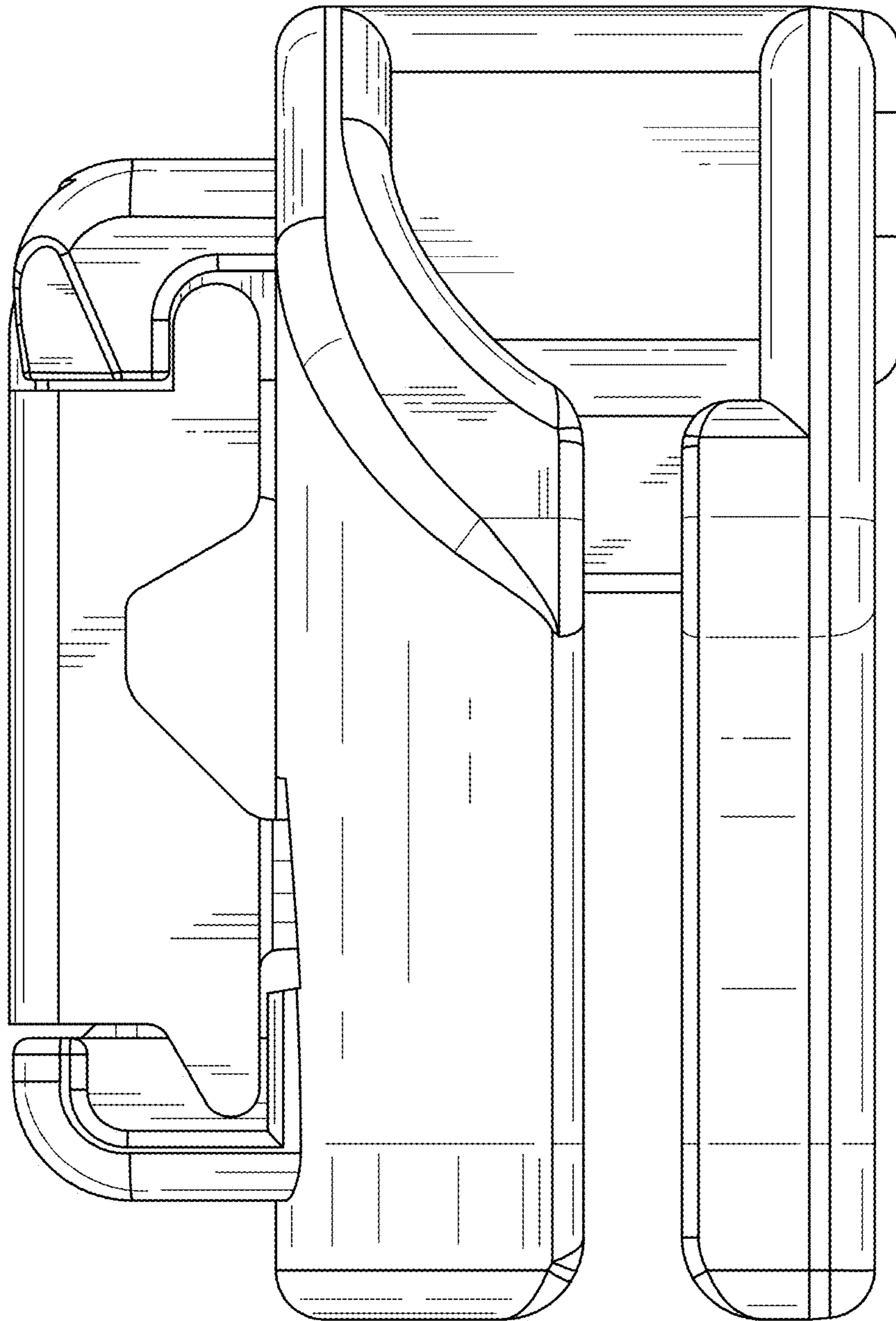


Fig. 4

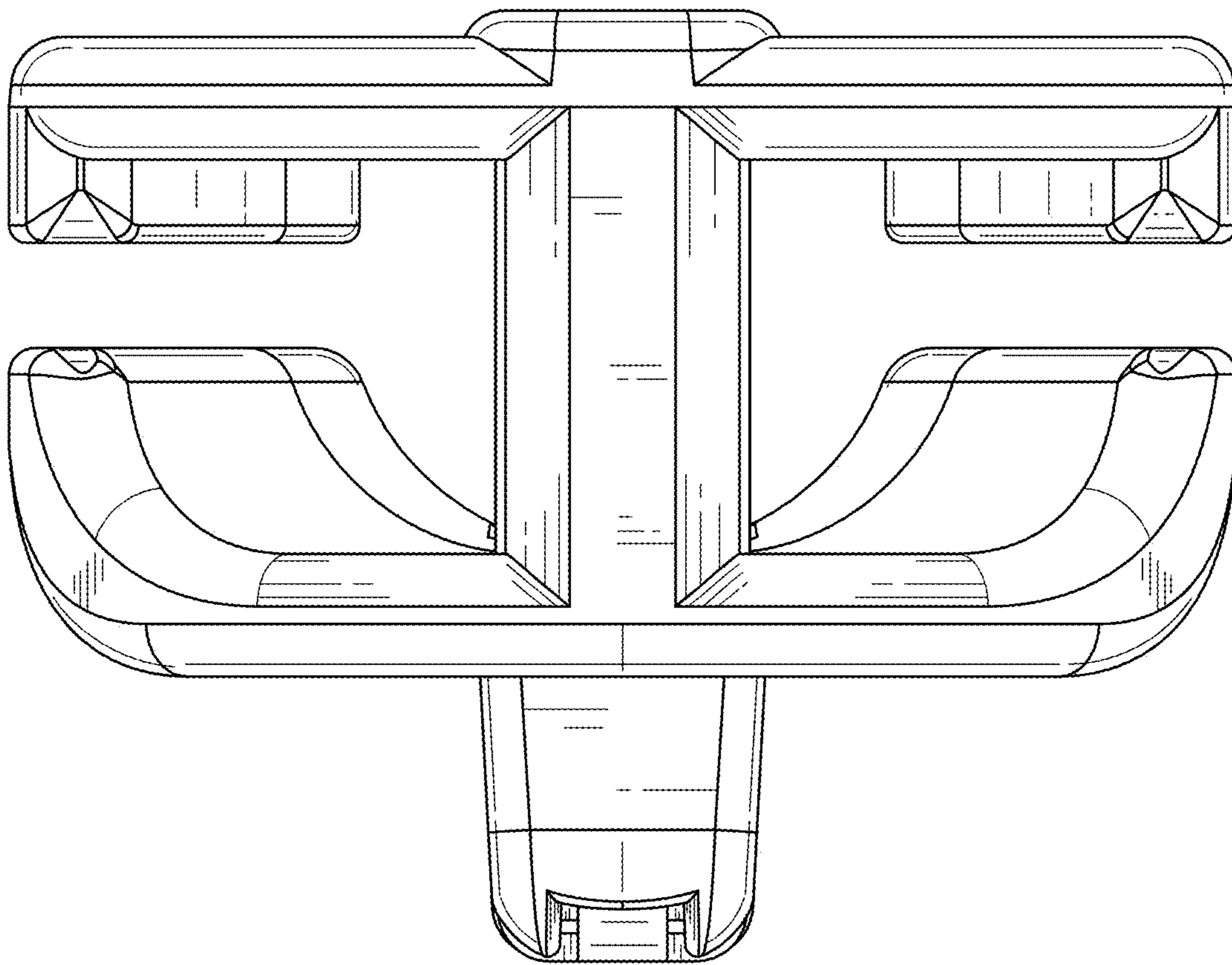


Fig. 5

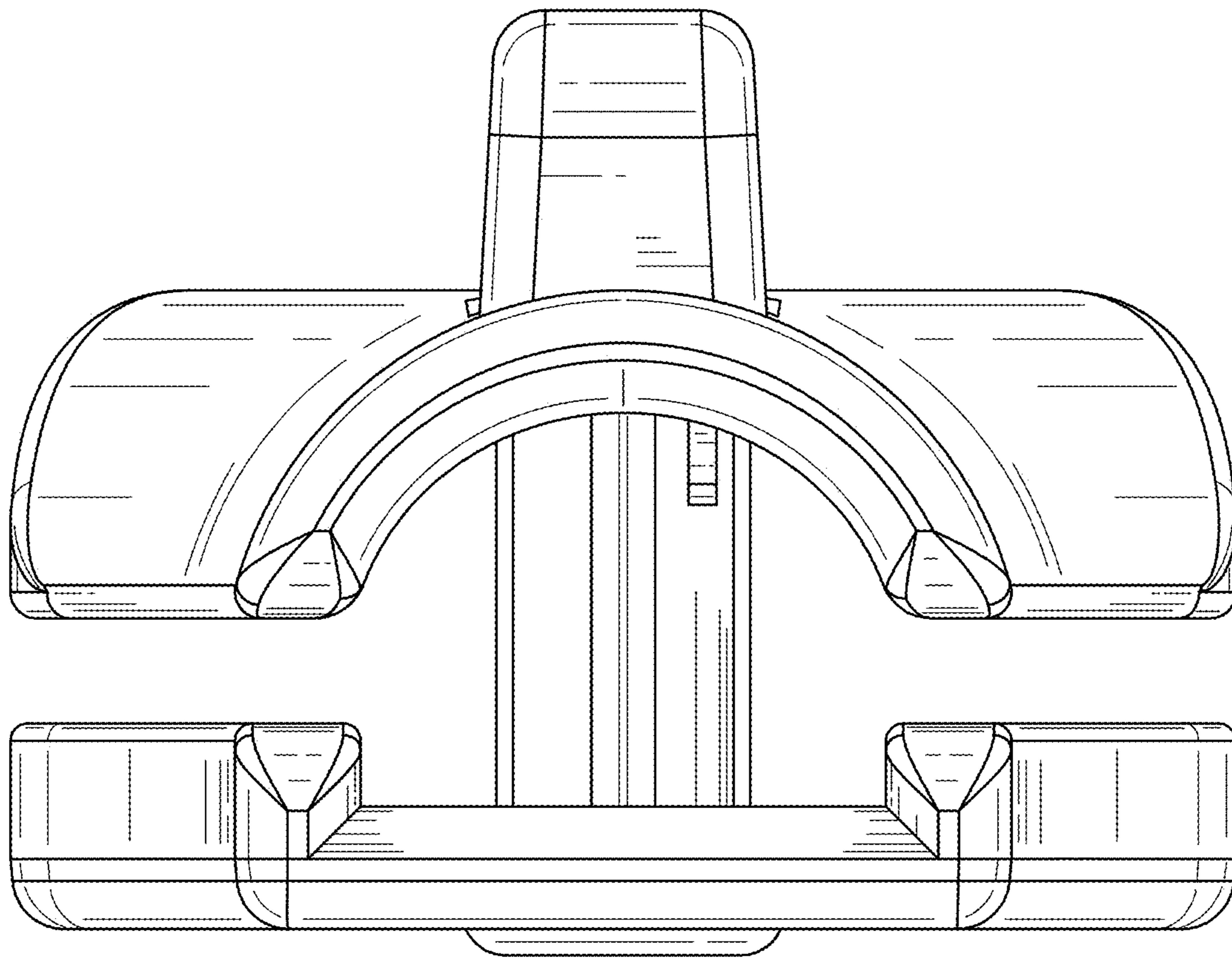


Fig. 6

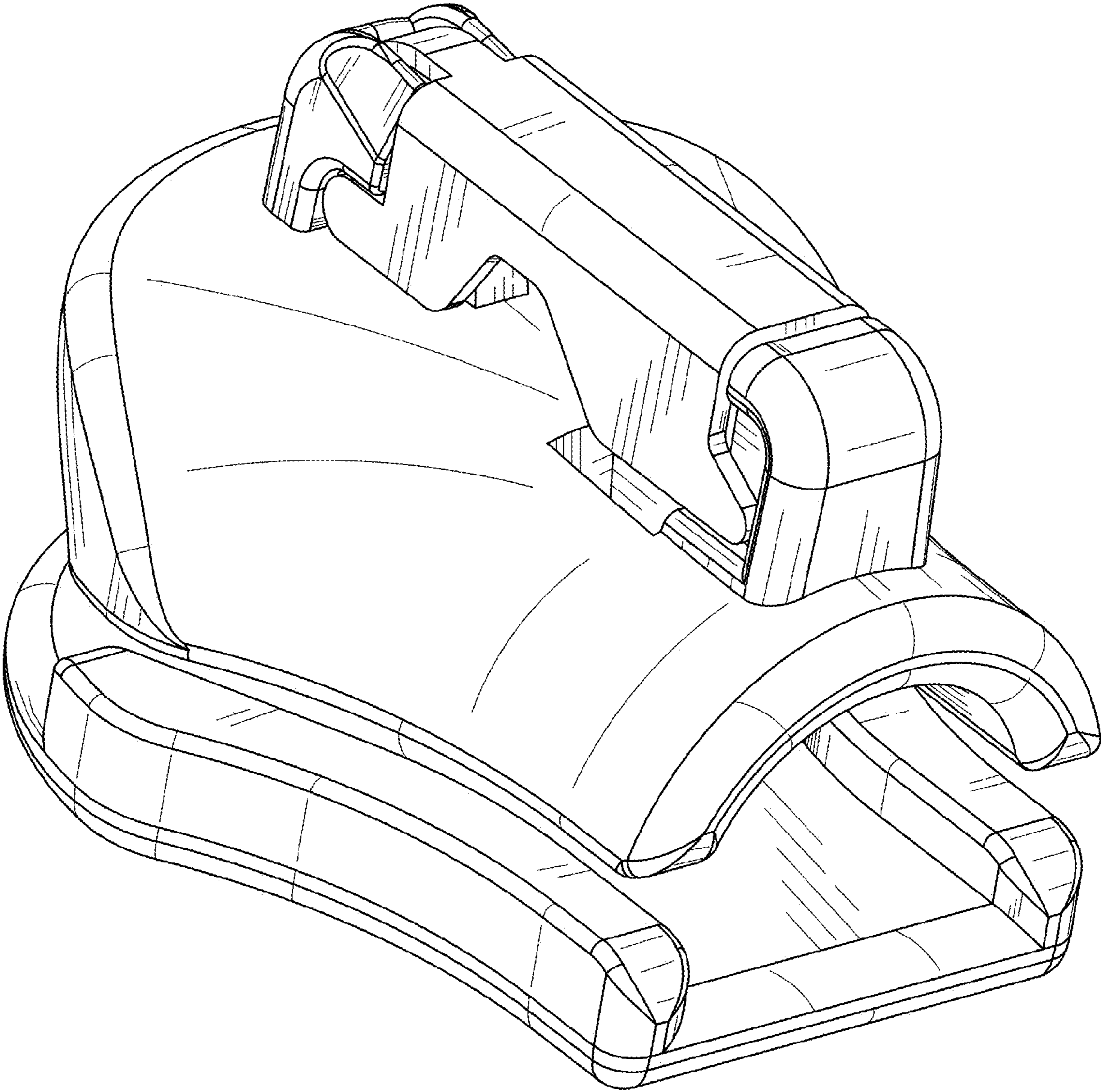


Fig. 7

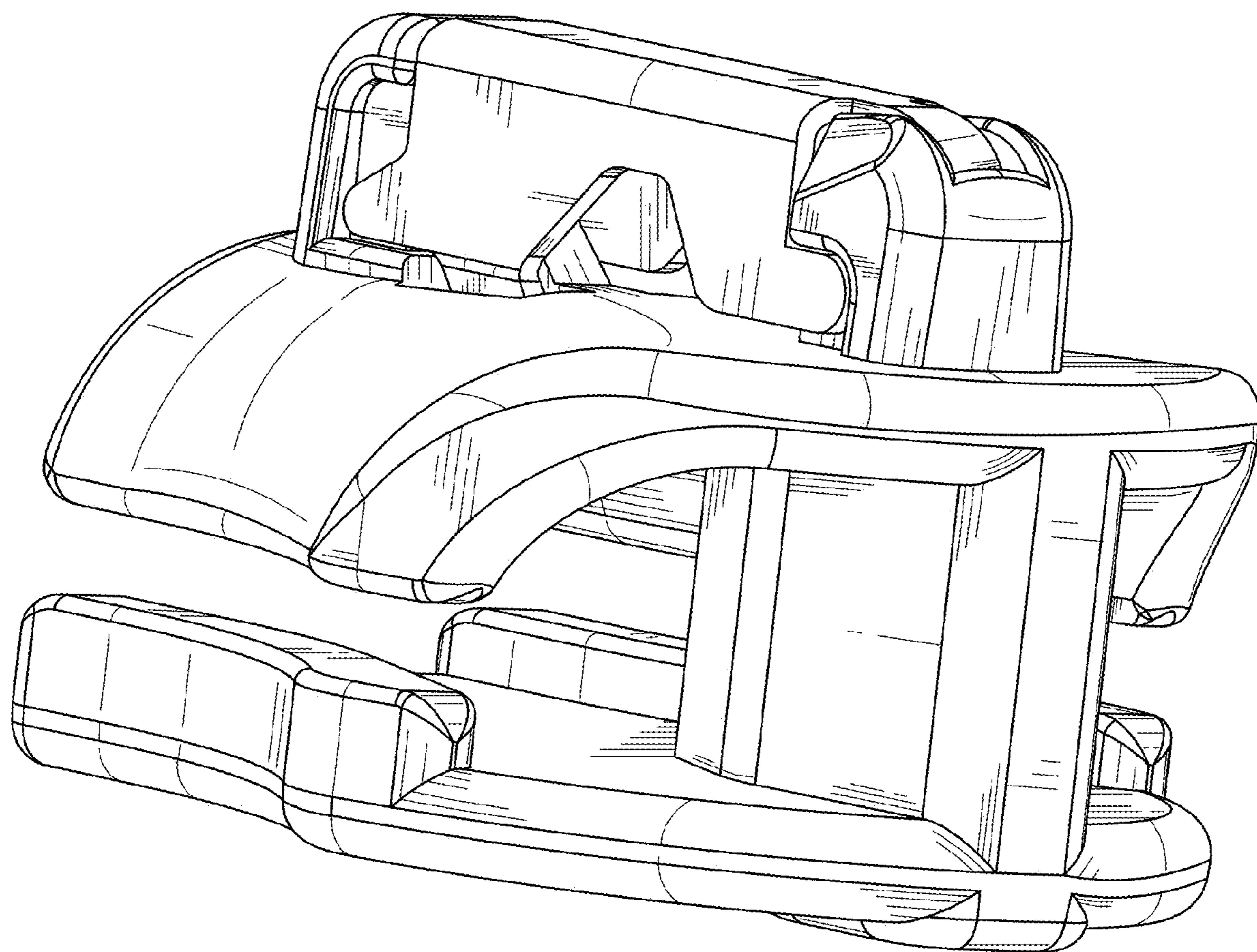


Fig. 8

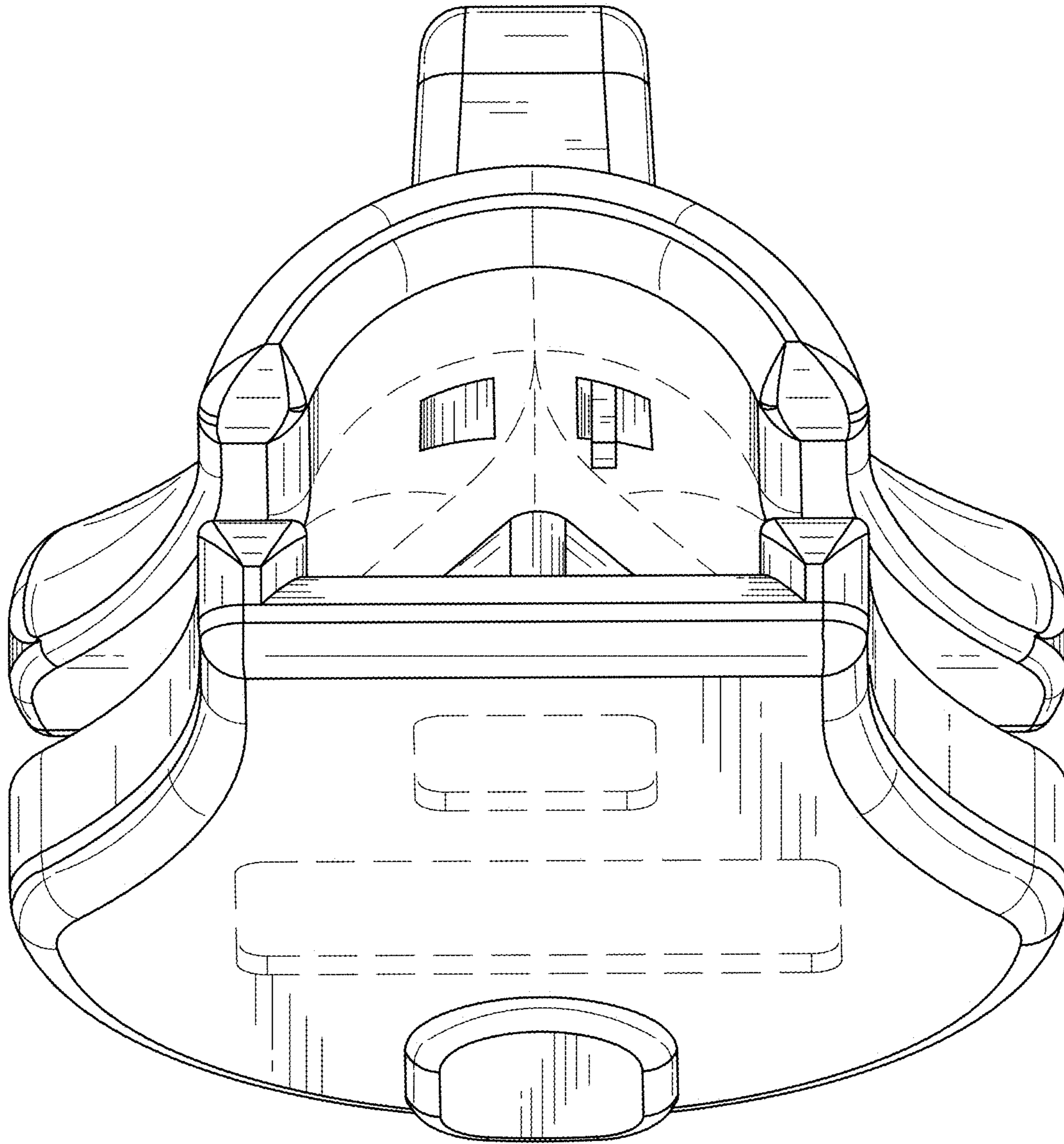


Fig. 9

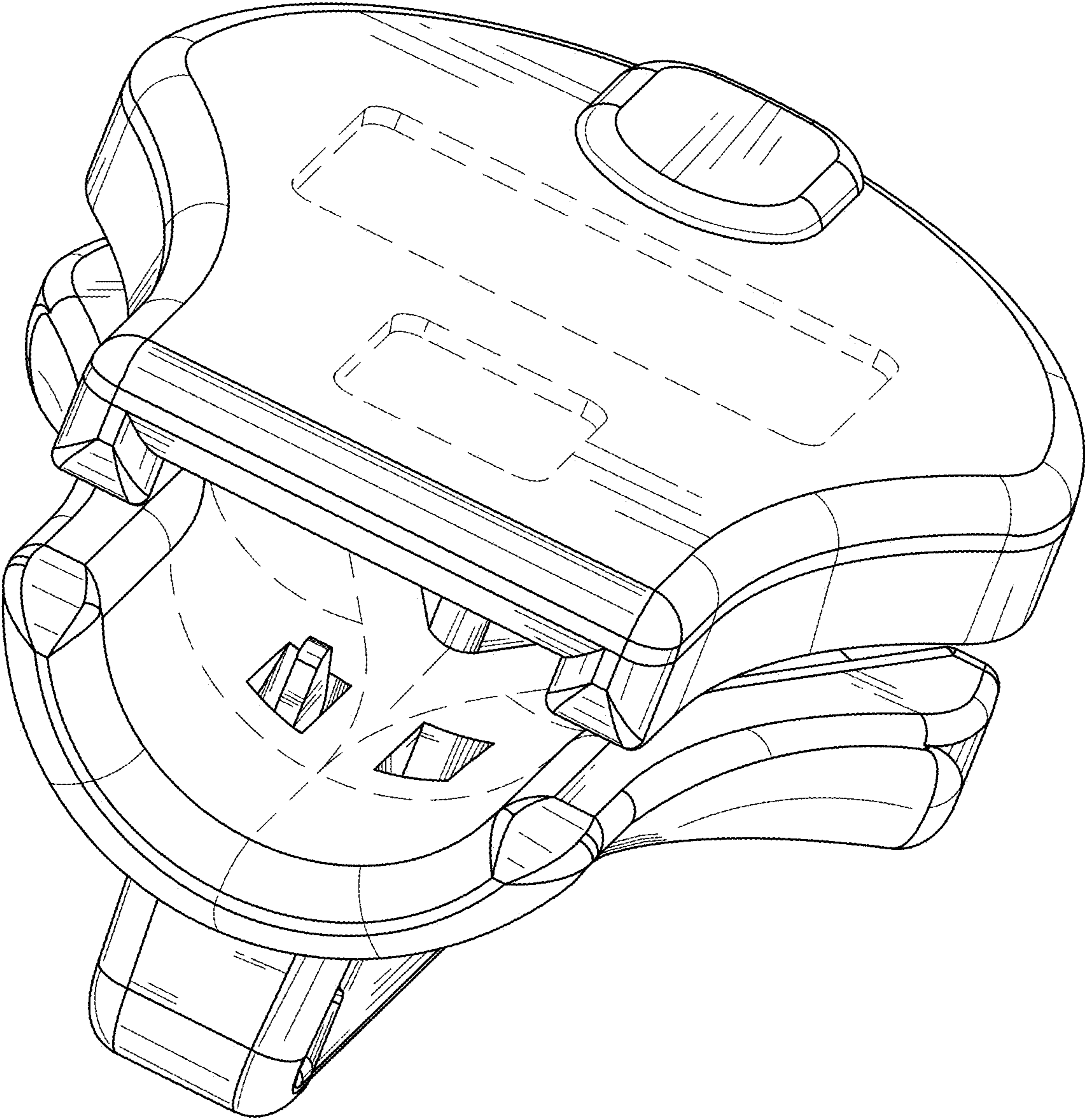


Fig. 10

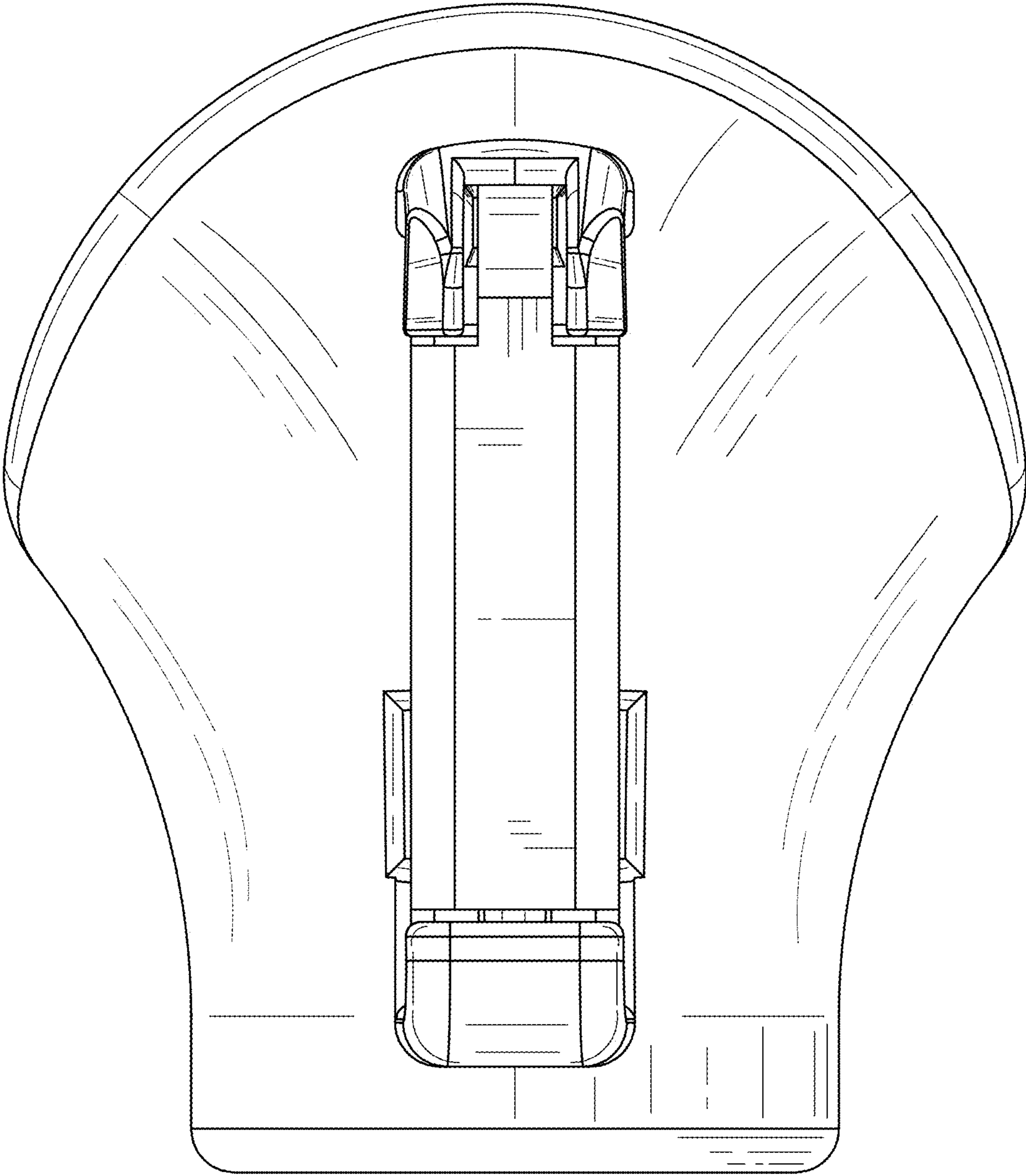


Fig. 11

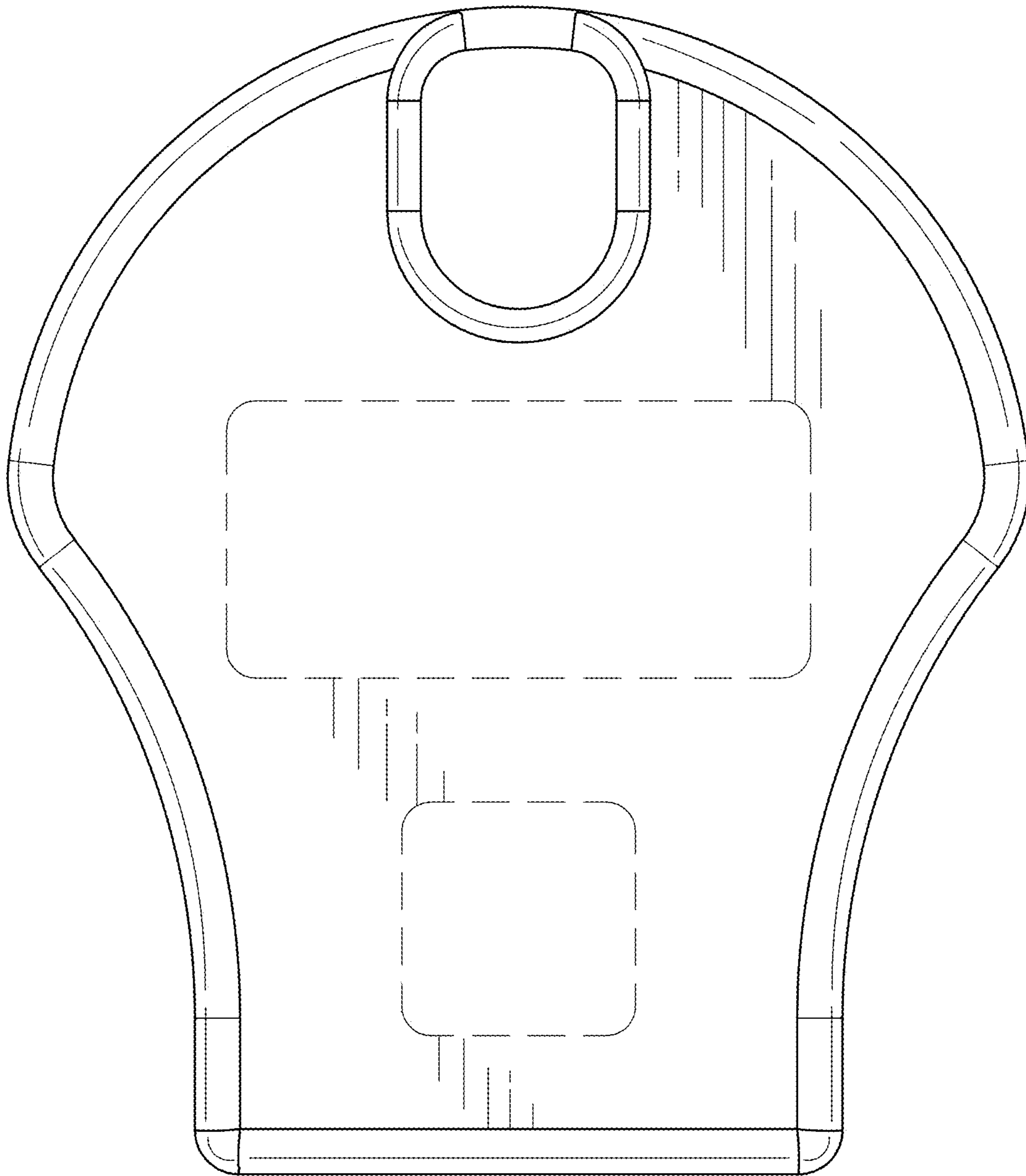


Fig. 12

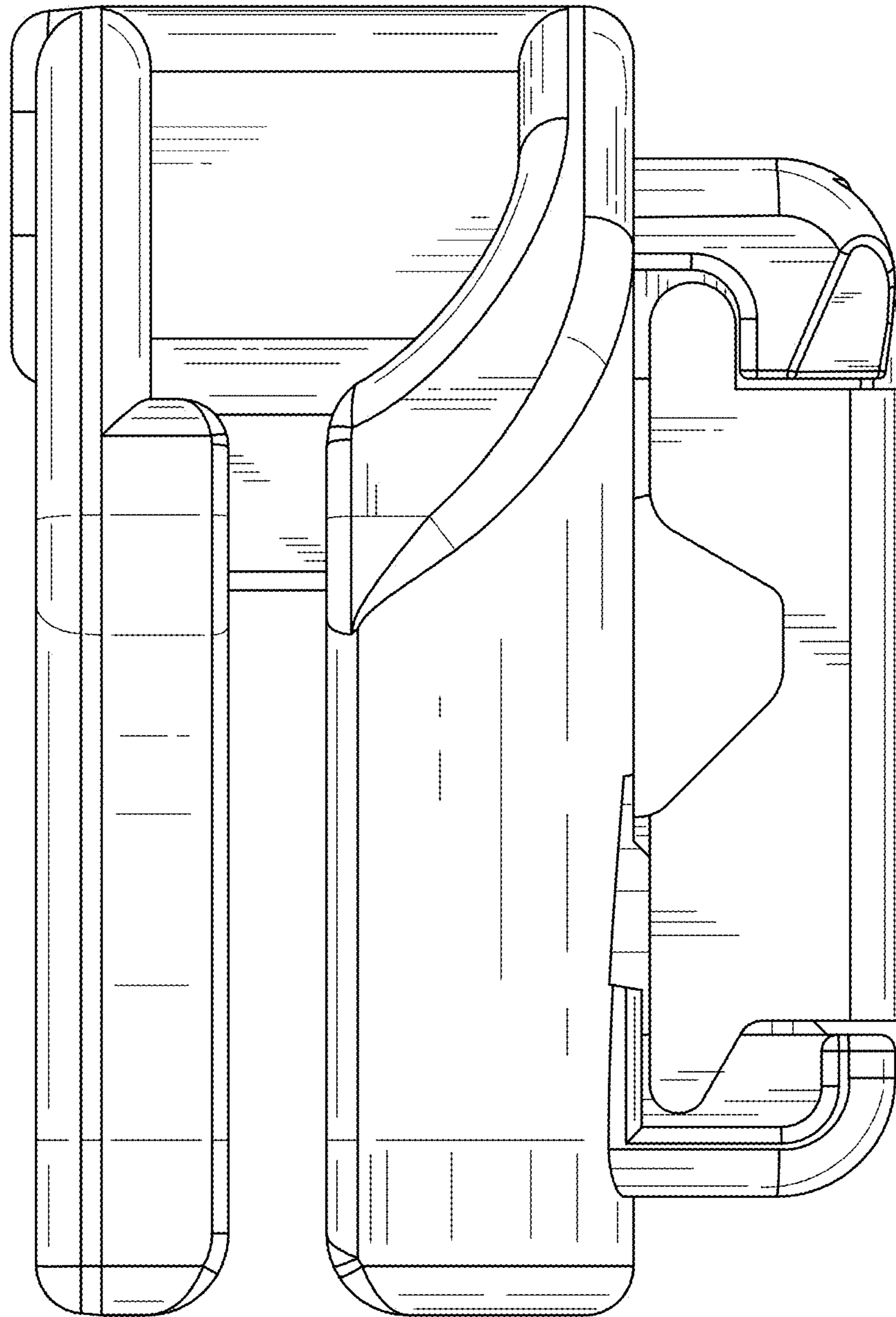


Fig. 13

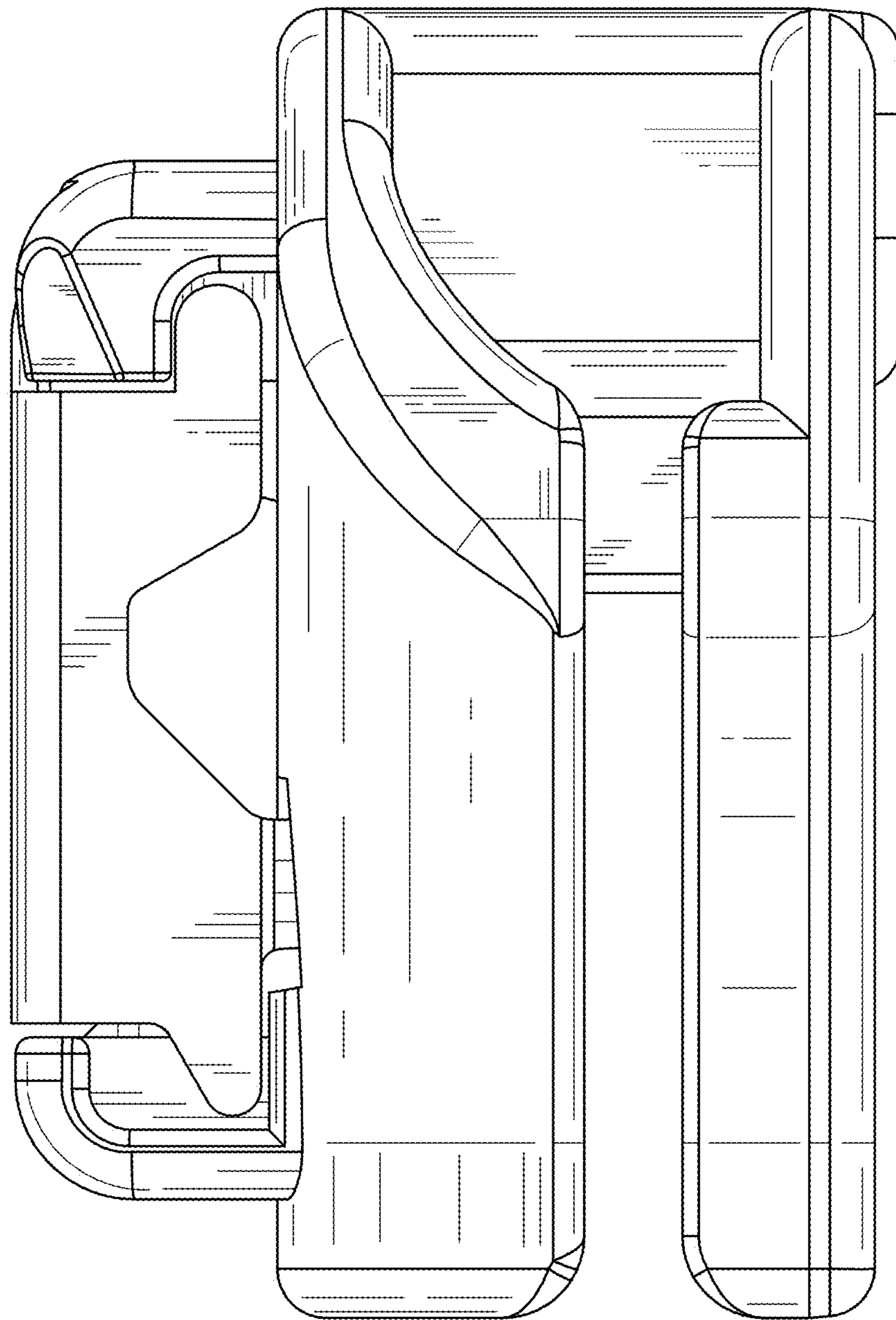


Fig. 14

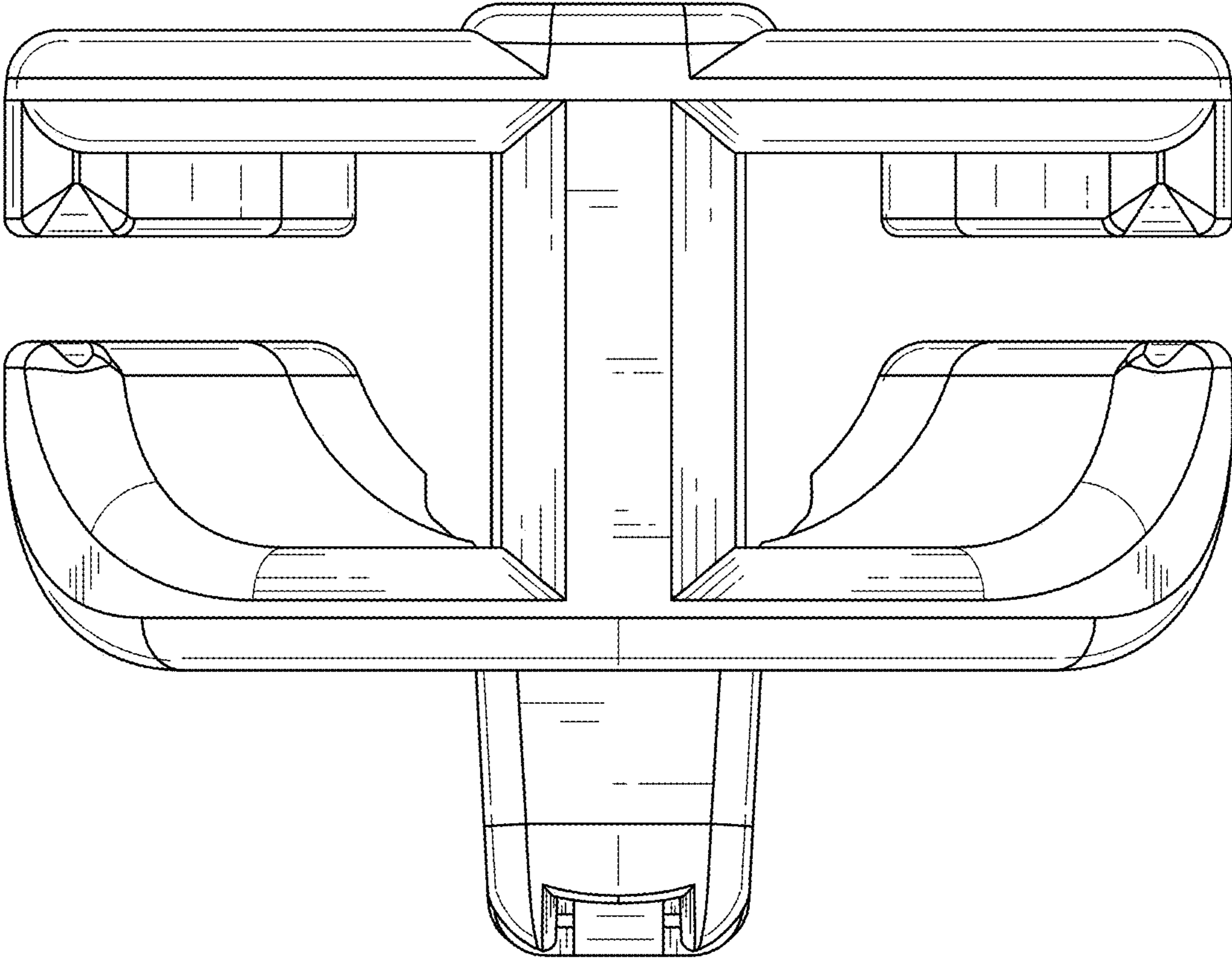


Fig. 15

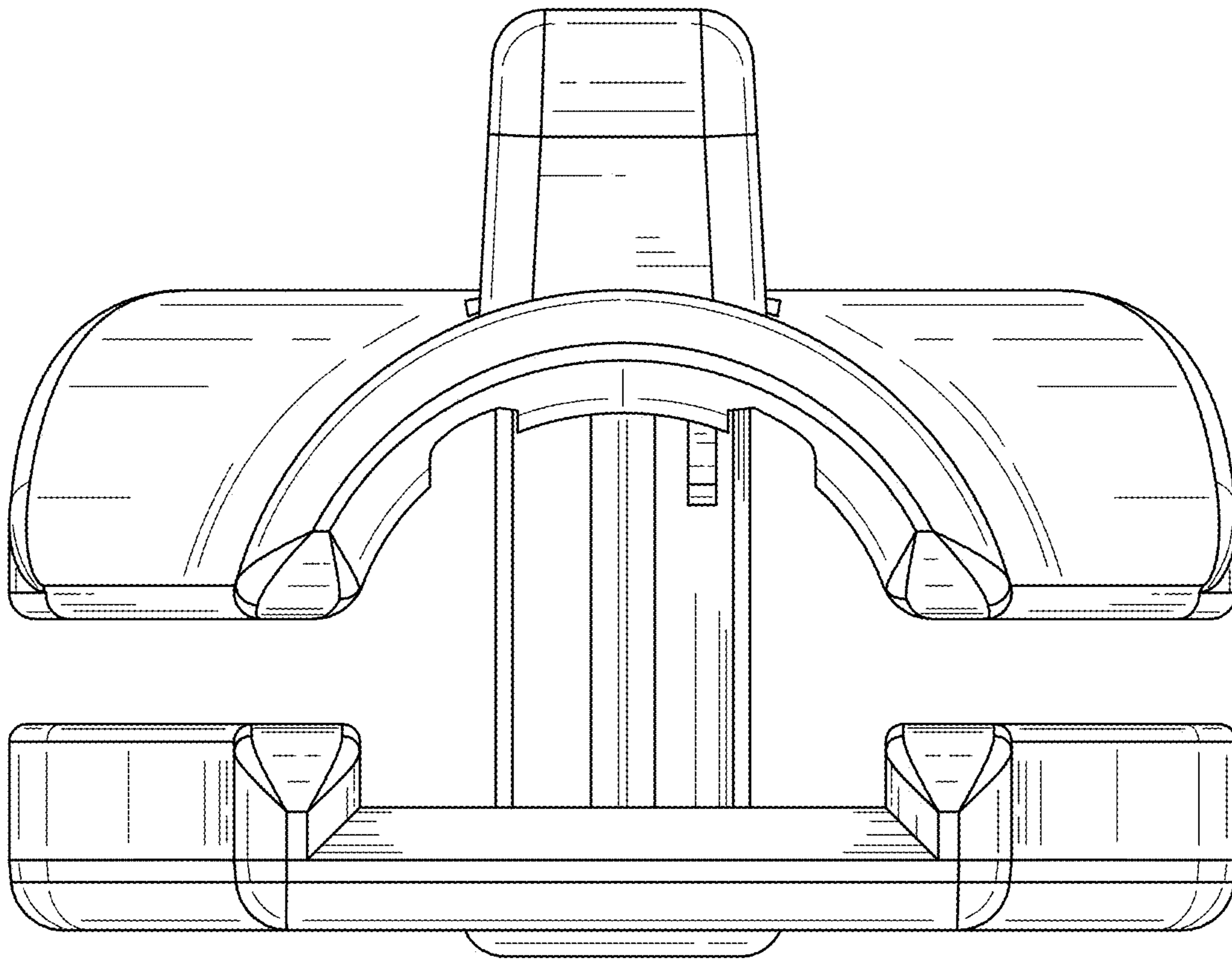


Fig. 16

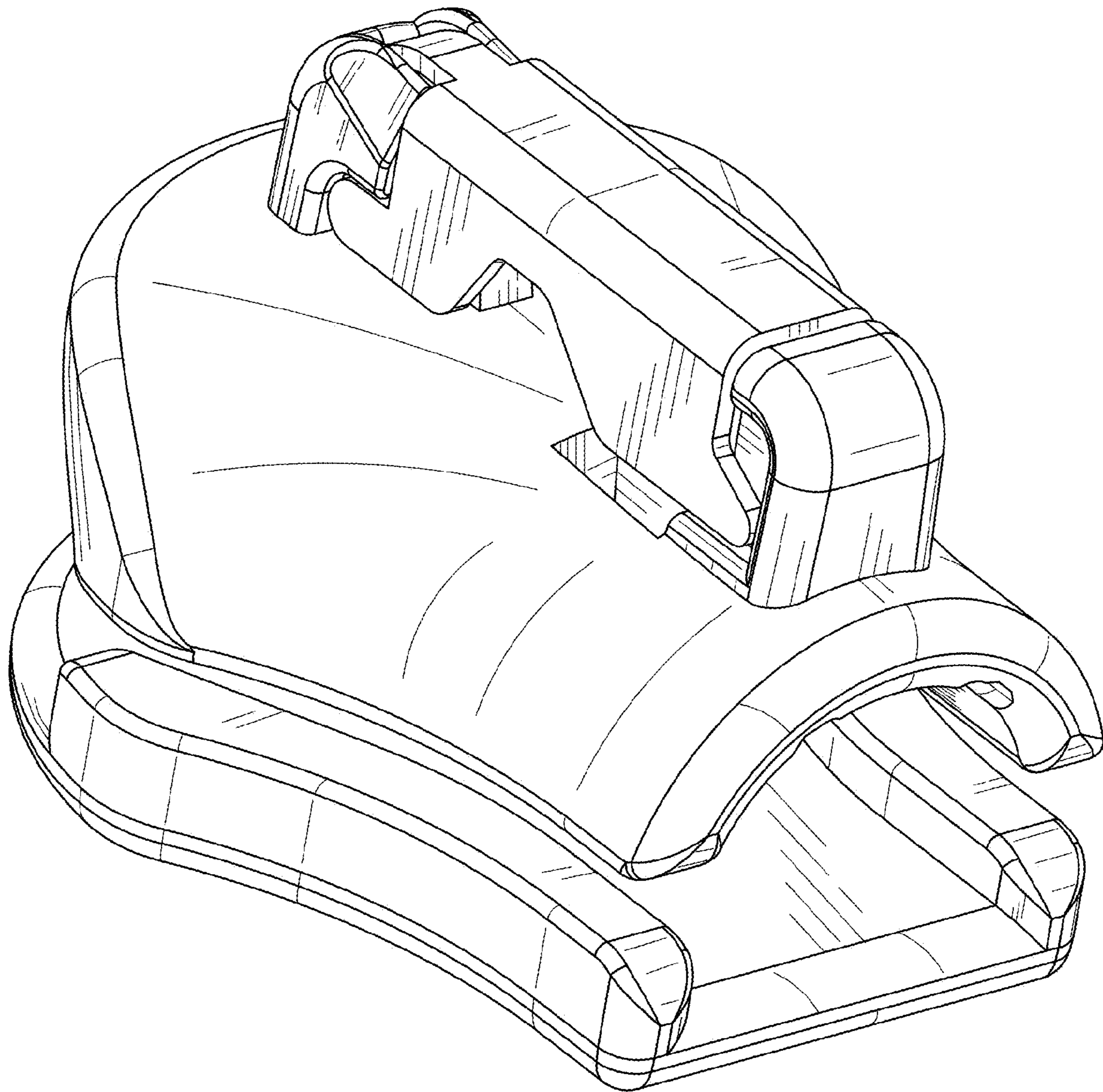


Fig. 17

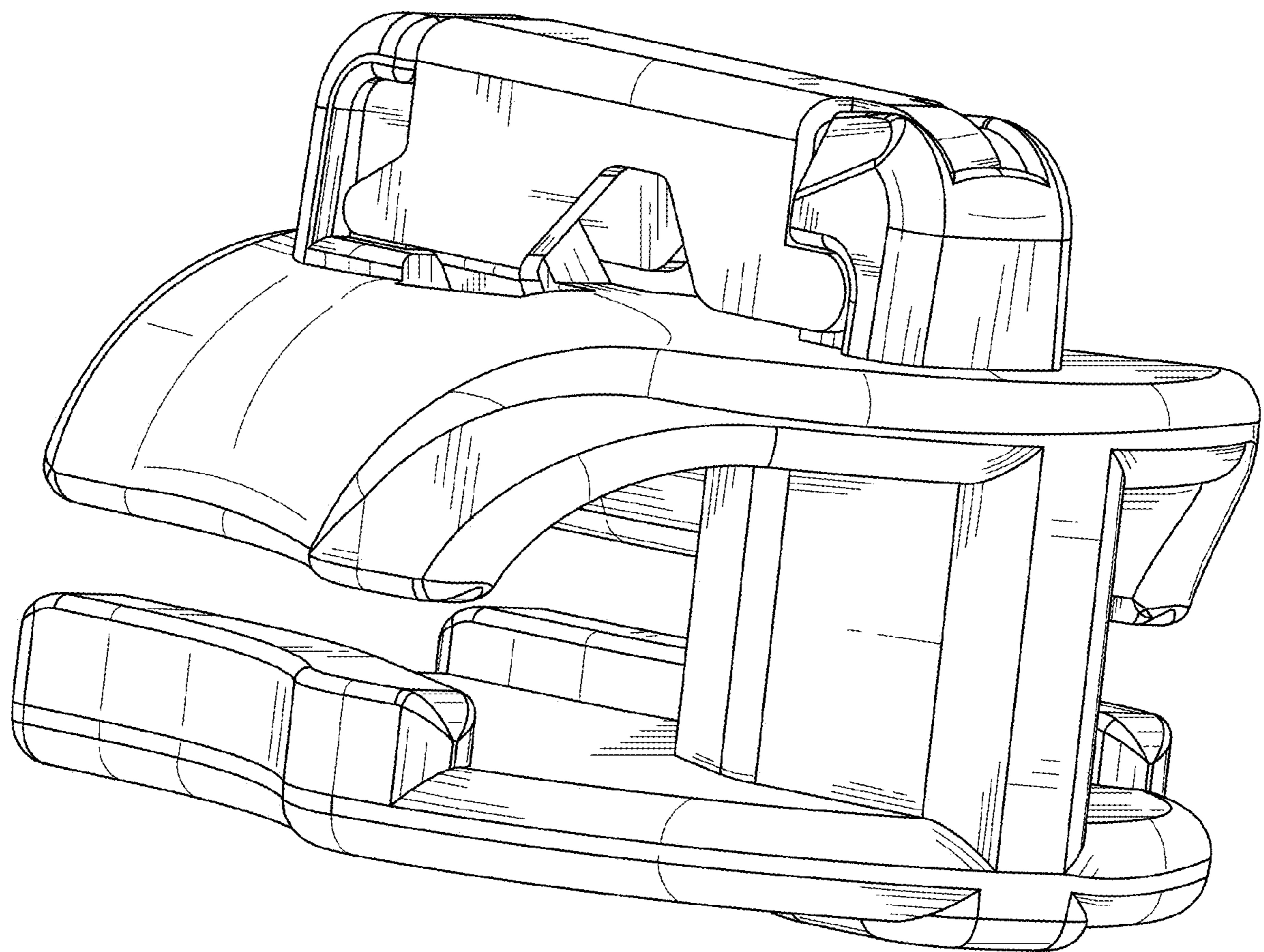


Fig. 18

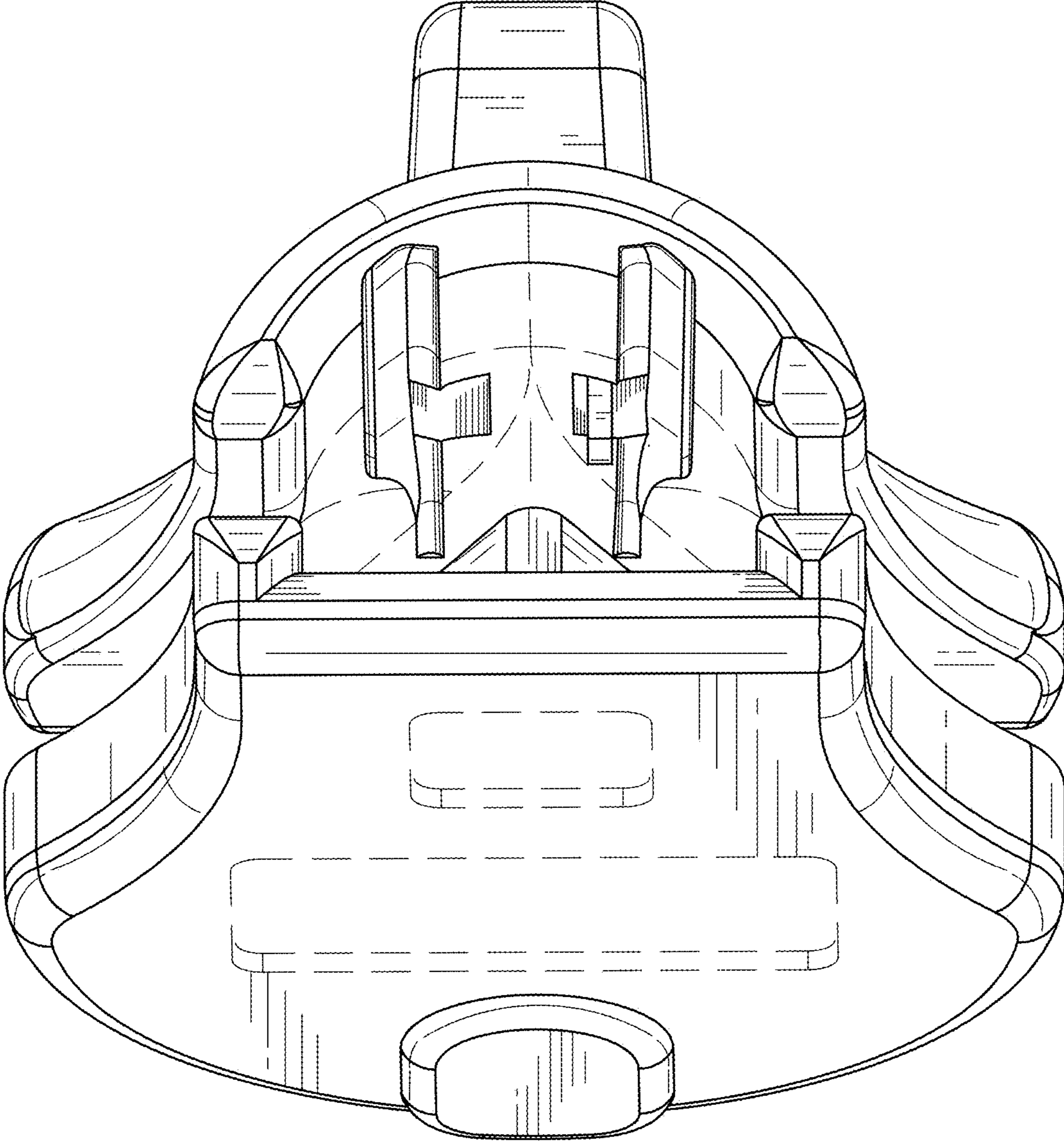


Fig. 19

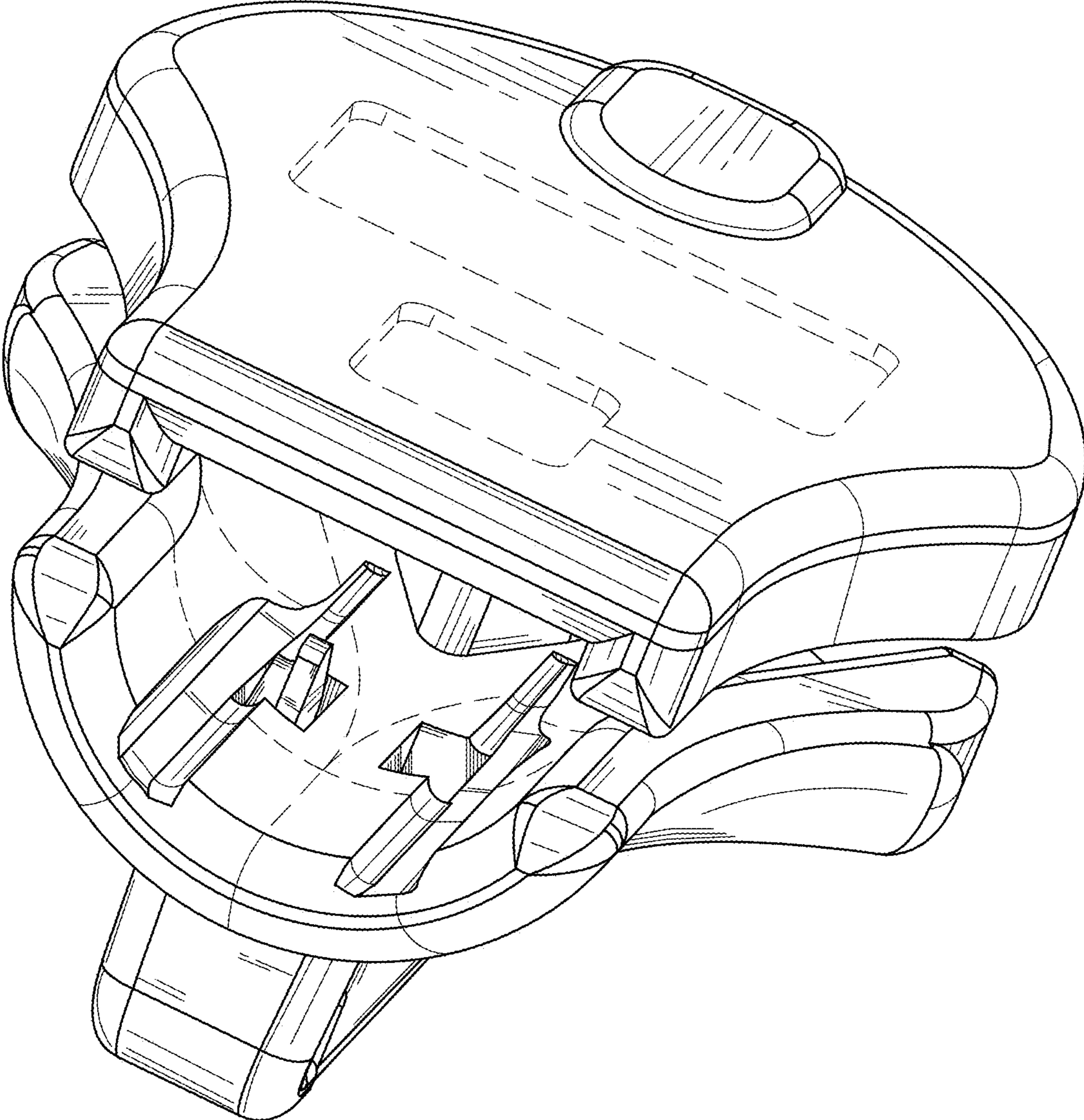


Fig. 20