



US00D880353S

(12) **United States Design Patent**
Hung

(10) **Patent No.:** **US D880,353 S**

(45) **Date of Patent:** **** Apr. 7, 2020**

(54) **STOPPER FOR ZIPPERS**

(71) Applicant: **IDEAL FASTENER (GUANGDONG) INDUSTRIES LTD.**, Zhaoqing, Guangdong (CN)

(72) Inventor: **Franklin Chi Yen Hung**, Guangdong (CN)

(73) Assignee: **IDEAL FASTENER (GUANGDONG) INDUSTRIES LTD.**, Zhaoqing (CN)

(**) Term: **15 Years**

(21) Appl. No.: **29/625,872**

(22) Filed: **Nov. 13, 2017**

(30) **Foreign Application Priority Data**

Sep. 26, 2017 (CN) 2017 3 0461064

(51) **LOC (12) Cl.** **02-07**

(52) **U.S. Cl.**
USPC **D11/221**

(58) **Field of Classification Search**
USPC D2/639, 705, 828, 853, 911, 946;
D3/252, 285, 298, 301, 318; D8/310;
D11/200, 201, 221

CPC A44B 19/00; A44B 19/02; A44B 19/04;
A44B 19/06; A44B 19/08; A44B 19/10;
A44B 19/24; A44B 19/26; A44B 19/28;
A44B 19/30; A44B 19/262; A44B
19/386; A44B 19/388

See application file for complete search history.

(56) **References Cited**

U.S. PATENT DOCUMENTS

3,752,718 A * 8/1973 Potin A44B 19/38
156/66

4,932,230 A * 6/1990 Ishii A44B 19/30
70/456 R

6,009,602 A * 1/2000 Terada A44B 19/306
24/433
D478,024 S * 8/2003 Nordstrom D11/221
D520,870 S * 5/2006 Withers D9/434
D525,122 S * 7/2006 Turvey D9/434
D532,301 S * 11/2006 Moretti D9/448

(Continued)

FOREIGN PATENT DOCUMENTS

EM 004184521-0015 * 9/2017

Primary Examiner — Kevin K Rudzinski

Assistant Examiner — Richard Kearney

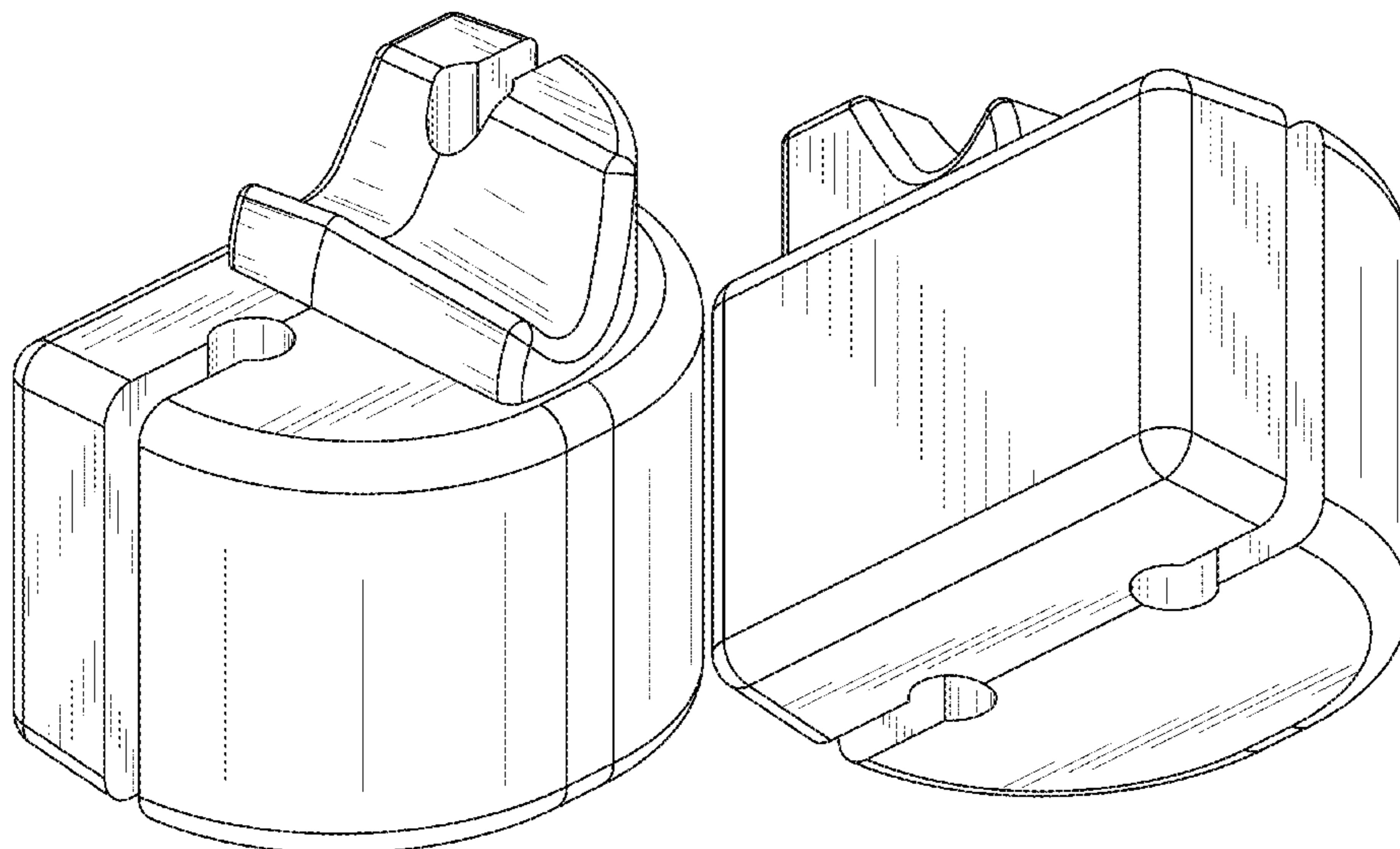
(57) **CLAIM**

The ornamental design for a stopper for zippers, as shown and described.

DESCRIPTION

FIG. 1 is a front elevational view of a stopper for zippers showing my new design;
FIG. 2 is a rear elevational view thereof;
FIG. 3 is a left side view thereof;
FIG. 4 is a right side view thereof;
FIG. 5 is a top plan view thereof;
FIG. 6 is a bottom plan view thereof;
FIG. 7 is a first perspective view thereof;
FIG. 8 is a second perspective view thereof;
FIG. 9 is a third perspective view thereof;
FIG. 10 is a fourth perspective view showing the stopper for zippers in a state of use;
FIG. 11 is a fifth perspective view showing the stopper for zippers in a state of use;
FIG. 12 is a sixth perspective view showing the stopper for zippers in a state of use; and,
FIG. 13 is a seventh perspective view showing the stopper for zippers in a state of use.
The broken lines in FIGS. 10-13 depict environment and are for illustrative purposes only and form no part of the claimed design.

1 Claim, 13 Drawing Sheets



(56)

References Cited

U.S. PATENT DOCUMENTS

7,698,790	B2 *	4/2010	Holloway	A44B 19/36 24/436
D643,778	S *	8/2011	Hasegawa	D11/221
D648,246	S *	11/2011	Hasegawa	D11/221
D660,138	S *	5/2012	Gallagher, Jr.	D11/87
8,776,330	B2 *	7/2014	Keyaki	A44B 19/36 24/434
D779,374	S *	2/2017	Hamada	D11/221
D780,624	S *	3/2017	Hamada	D11/221
D809,421	S *	2/2018	Rafaelian	D11/86
D824,285	S *	7/2018	Hung	D11/221
D824,286	S *	7/2018	Hung	D11/221
D829,601	S *	10/2018	Hung	D11/221
D829,602	S *	10/2018	Hung	D11/221
D833,910	S *	11/2018	Hung	D11/221
D846,436	S *	4/2019	Hung	D11/221
2004/0205942	A1 *	10/2004	Tsaur	A44B 19/388 24/433
2006/0075612	A1 *	4/2006	Wu	A44B 19/388 24/433
2006/0112523	A1 *	6/2006	Deto	A41F 1/002 24/303

* cited by examiner

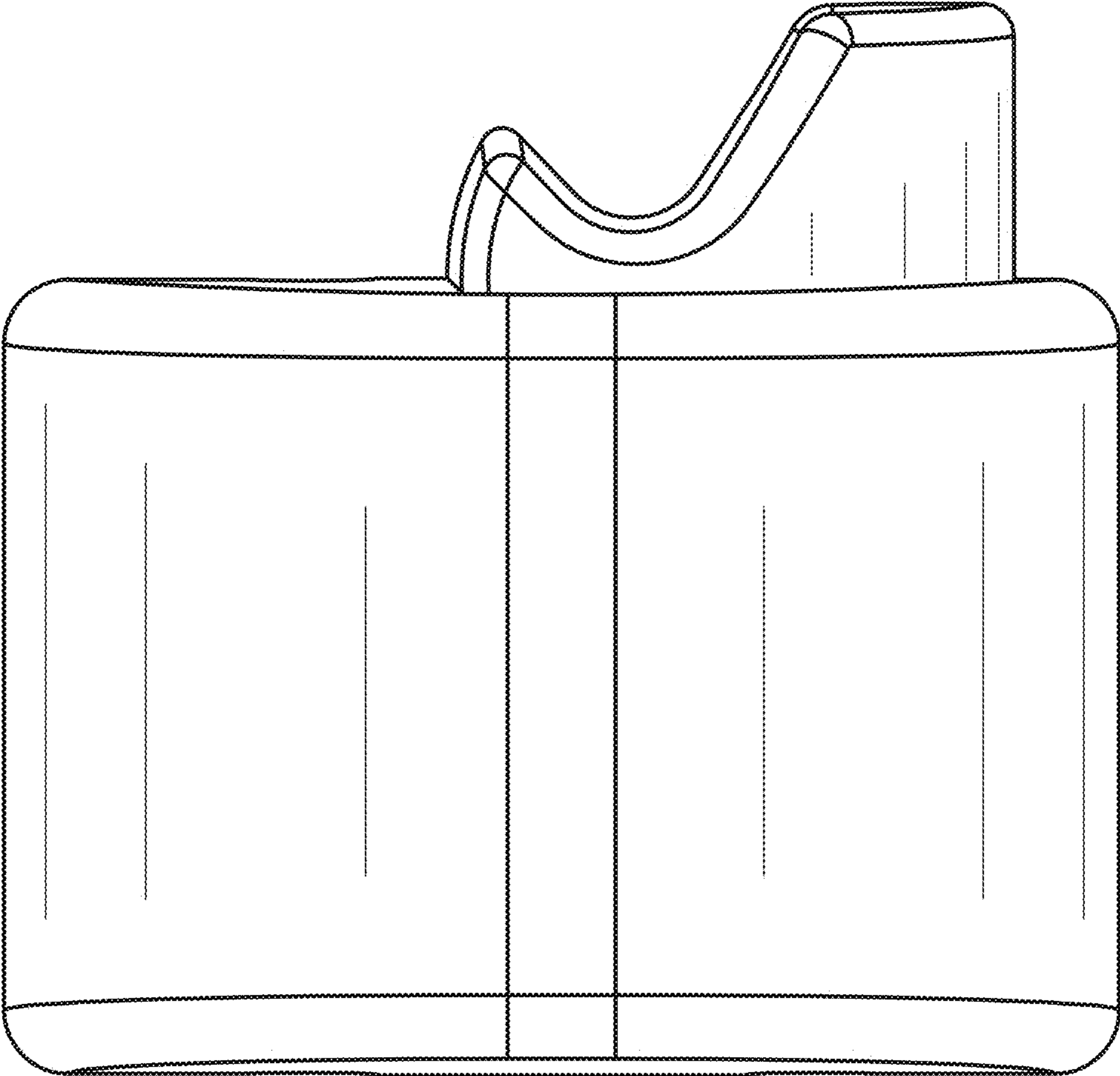


Fig. 1

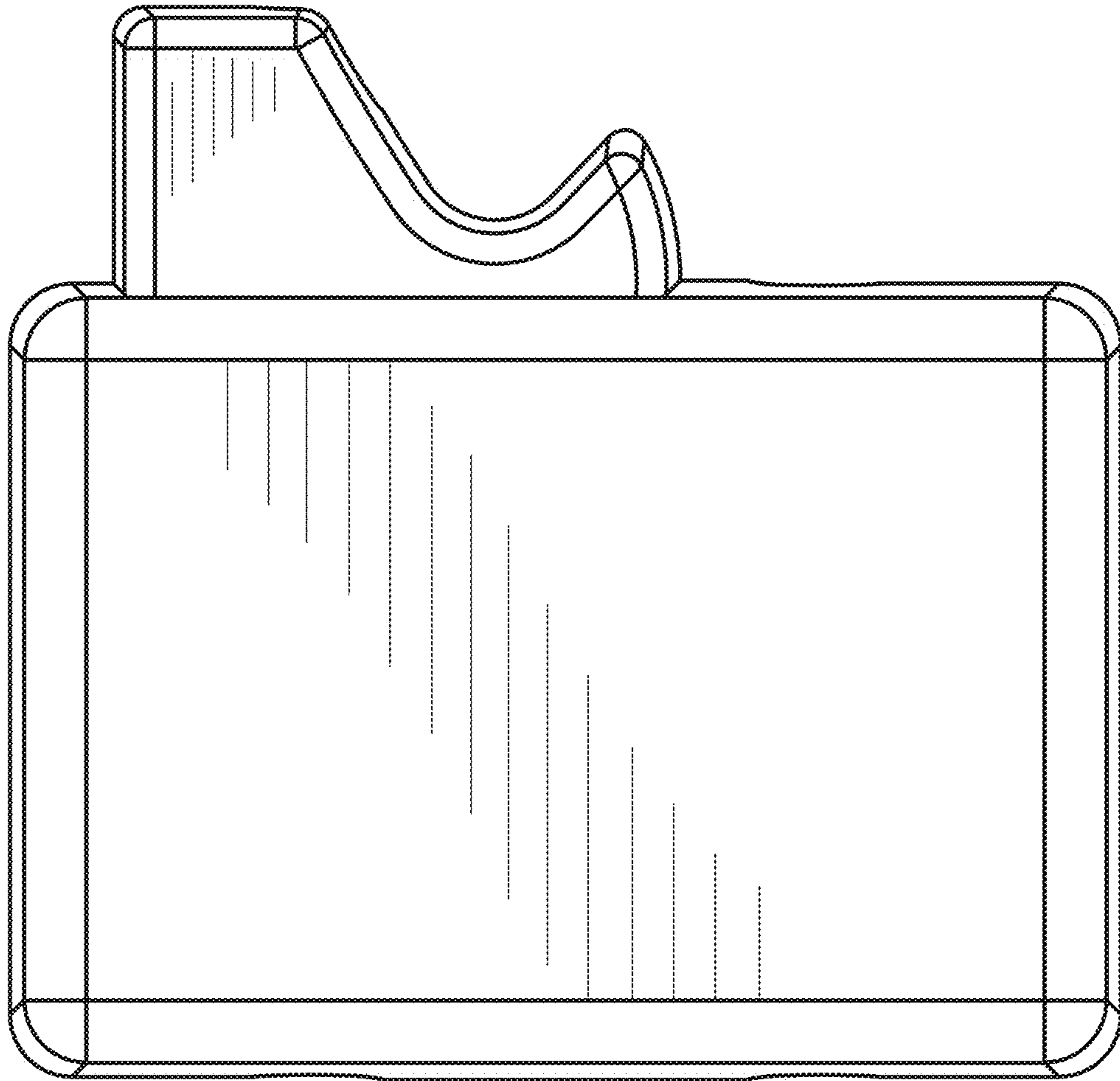


Fig. 2

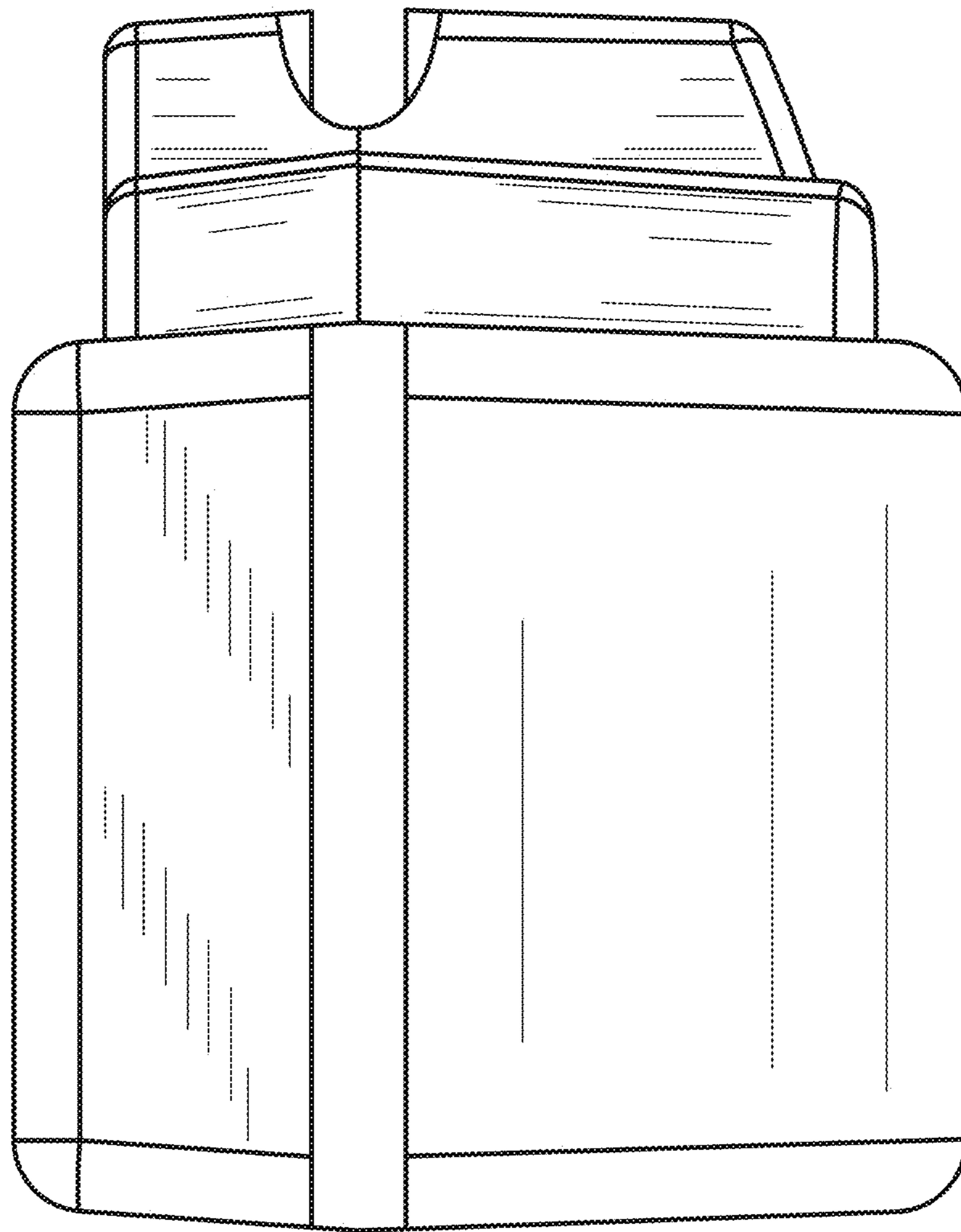


Fig. 3

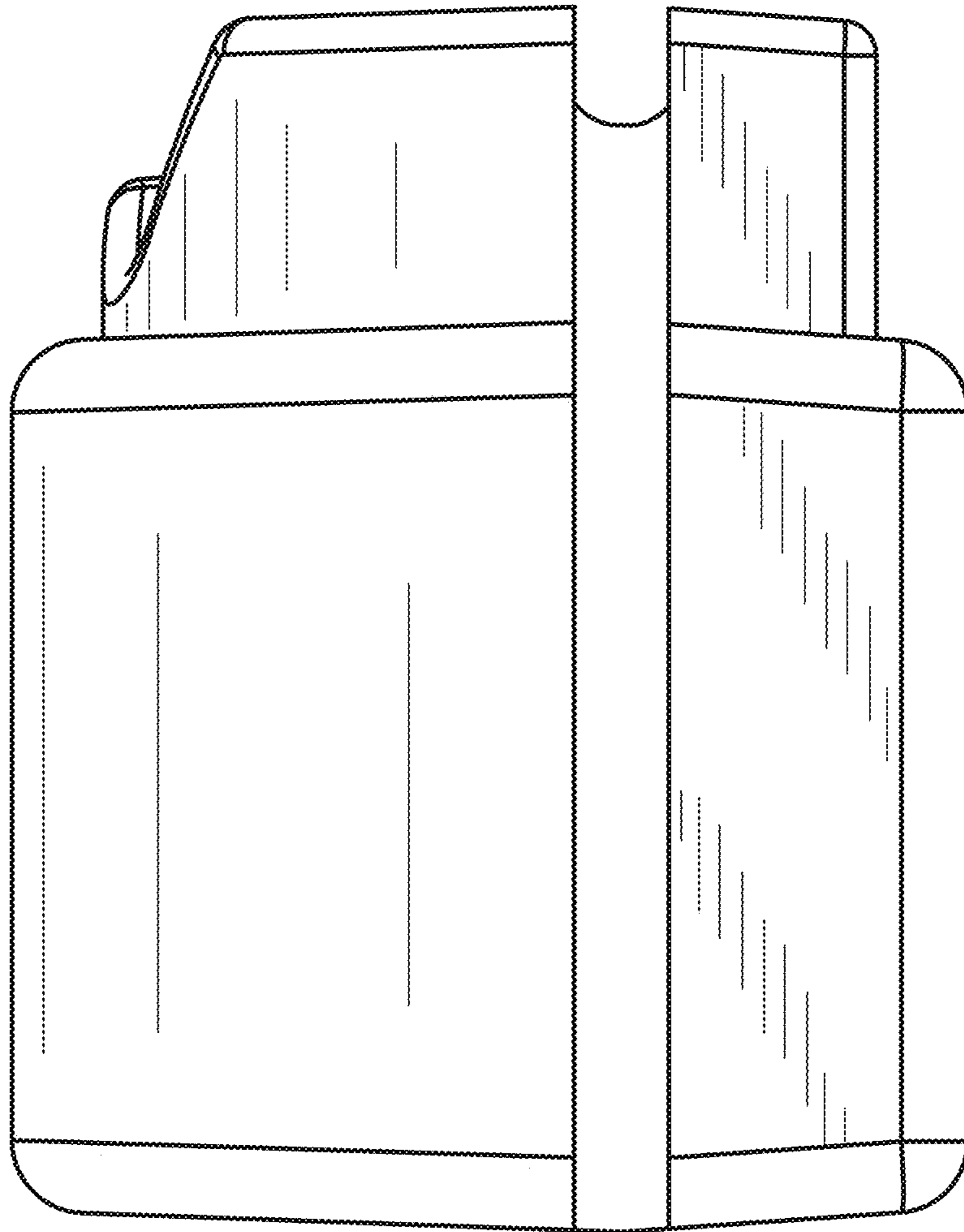


Fig. 4

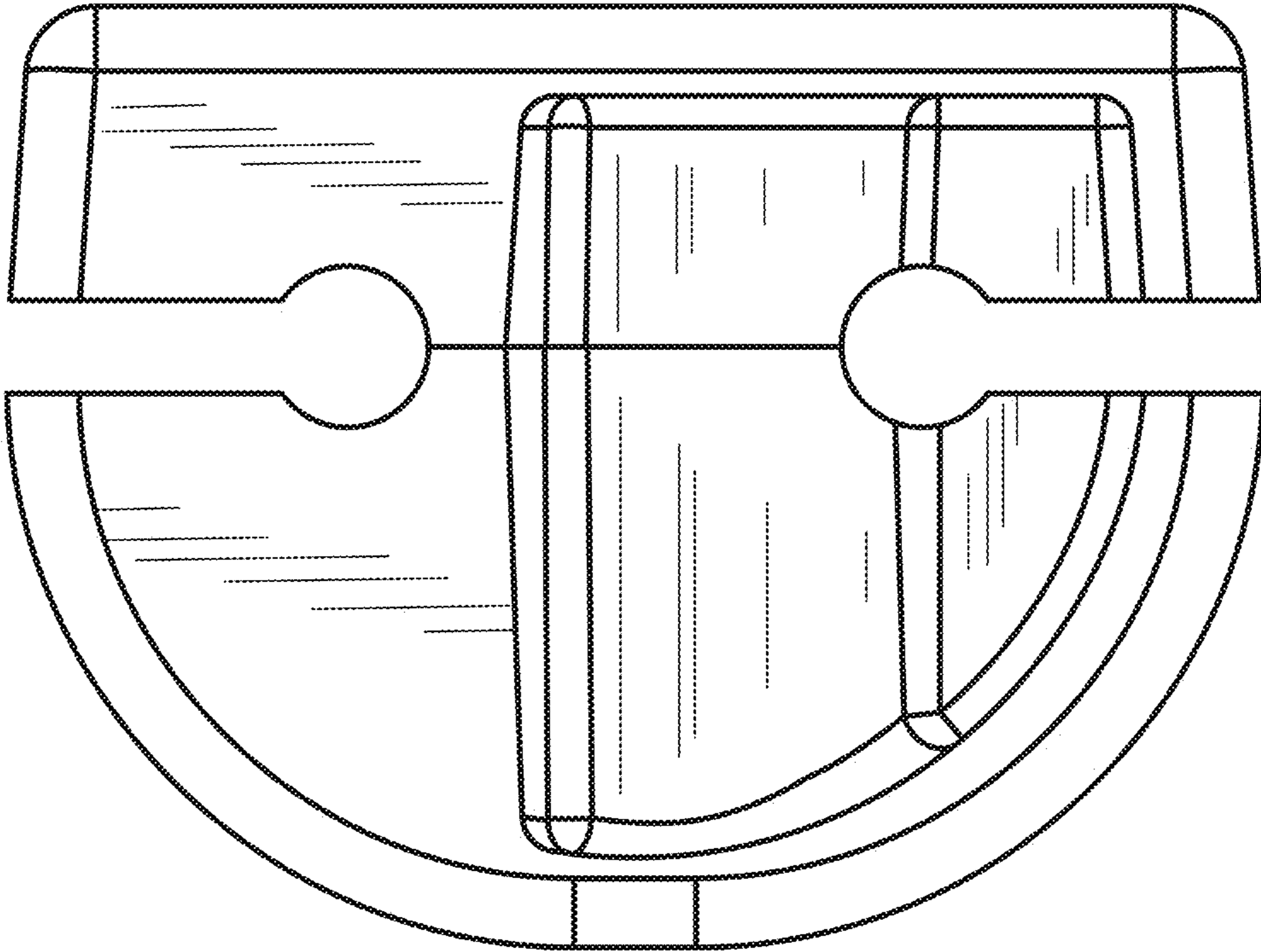


Fig. 5

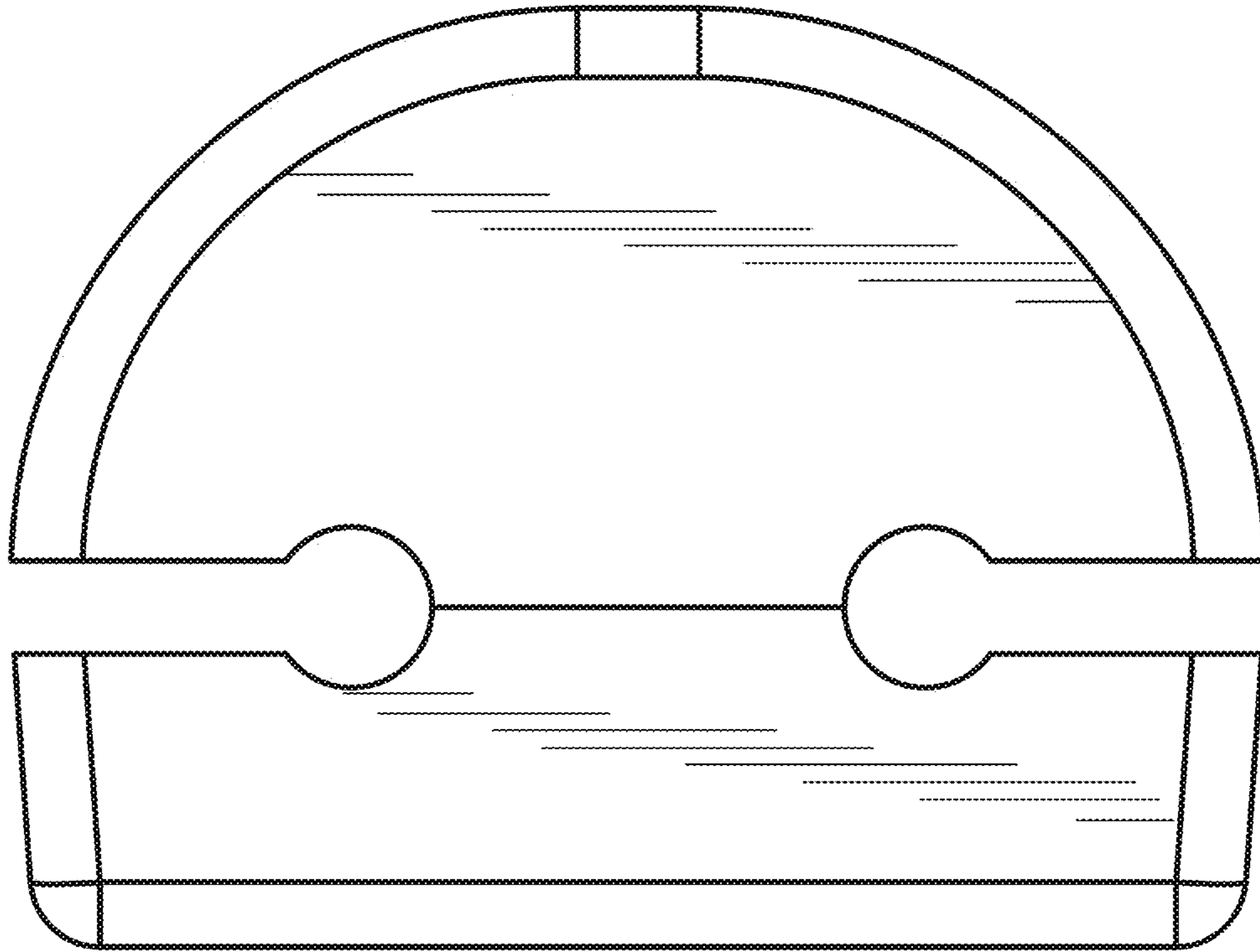


Fig. 6

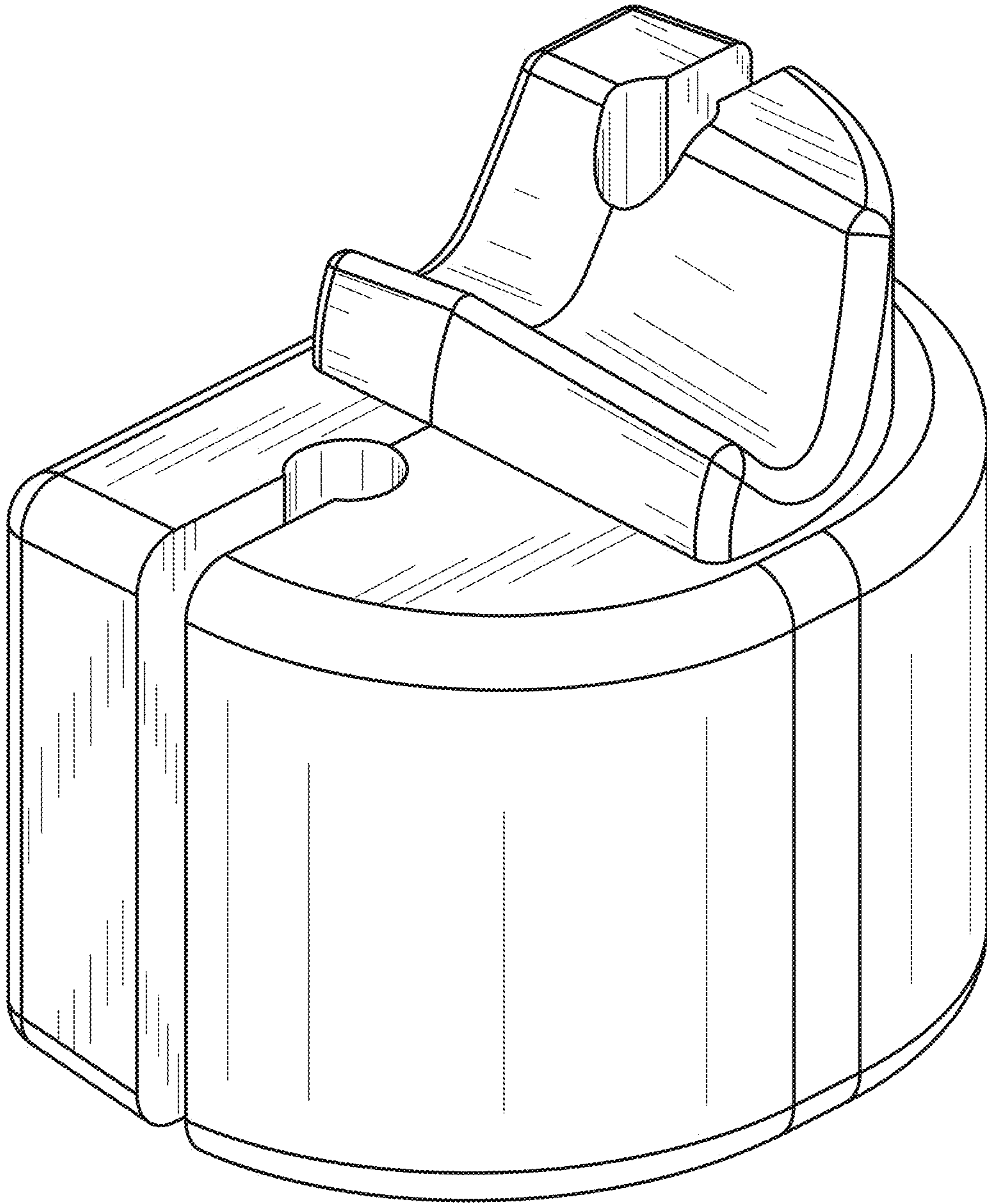


Fig. 7

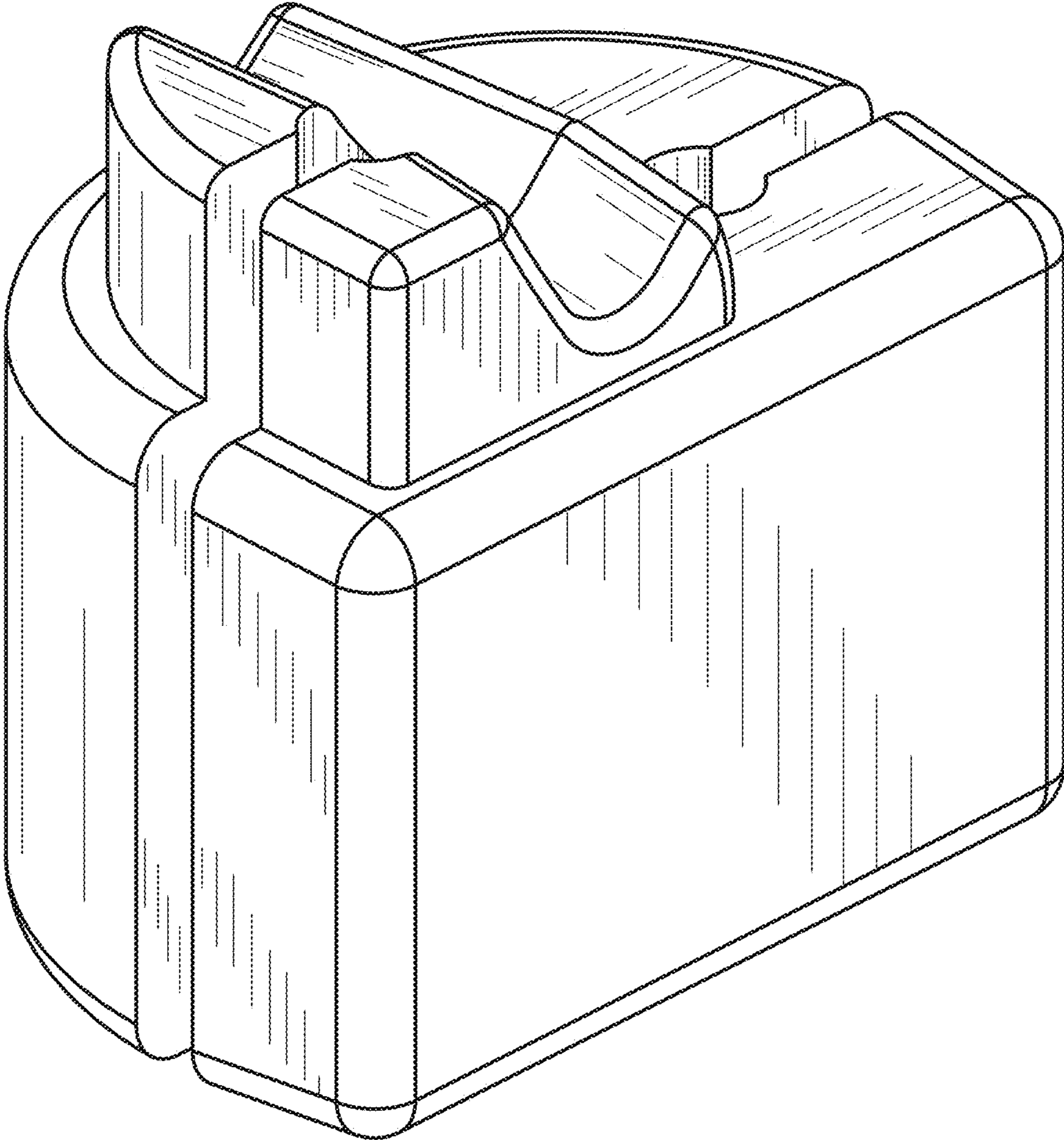


Fig. 8

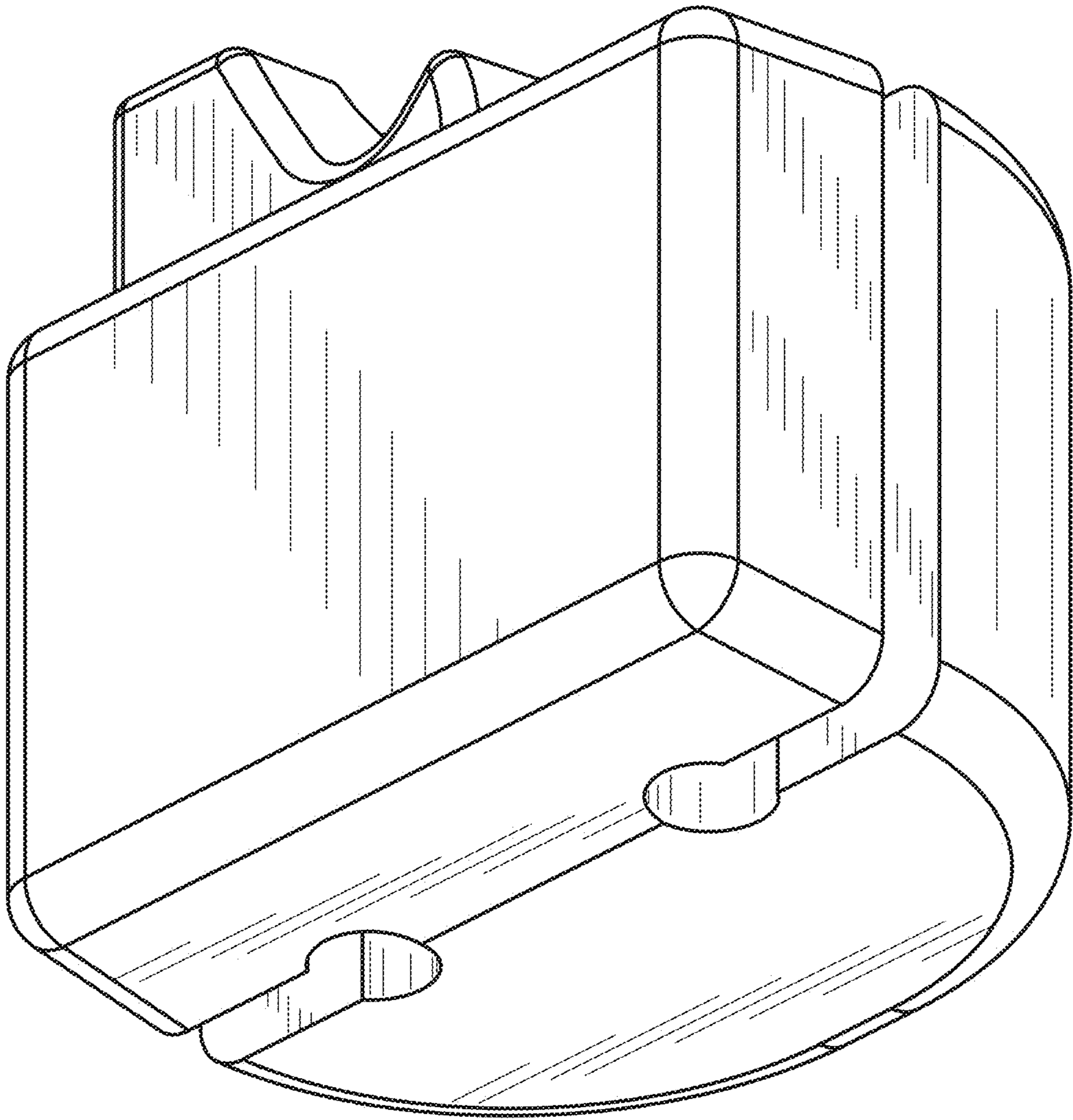


Fig. 9

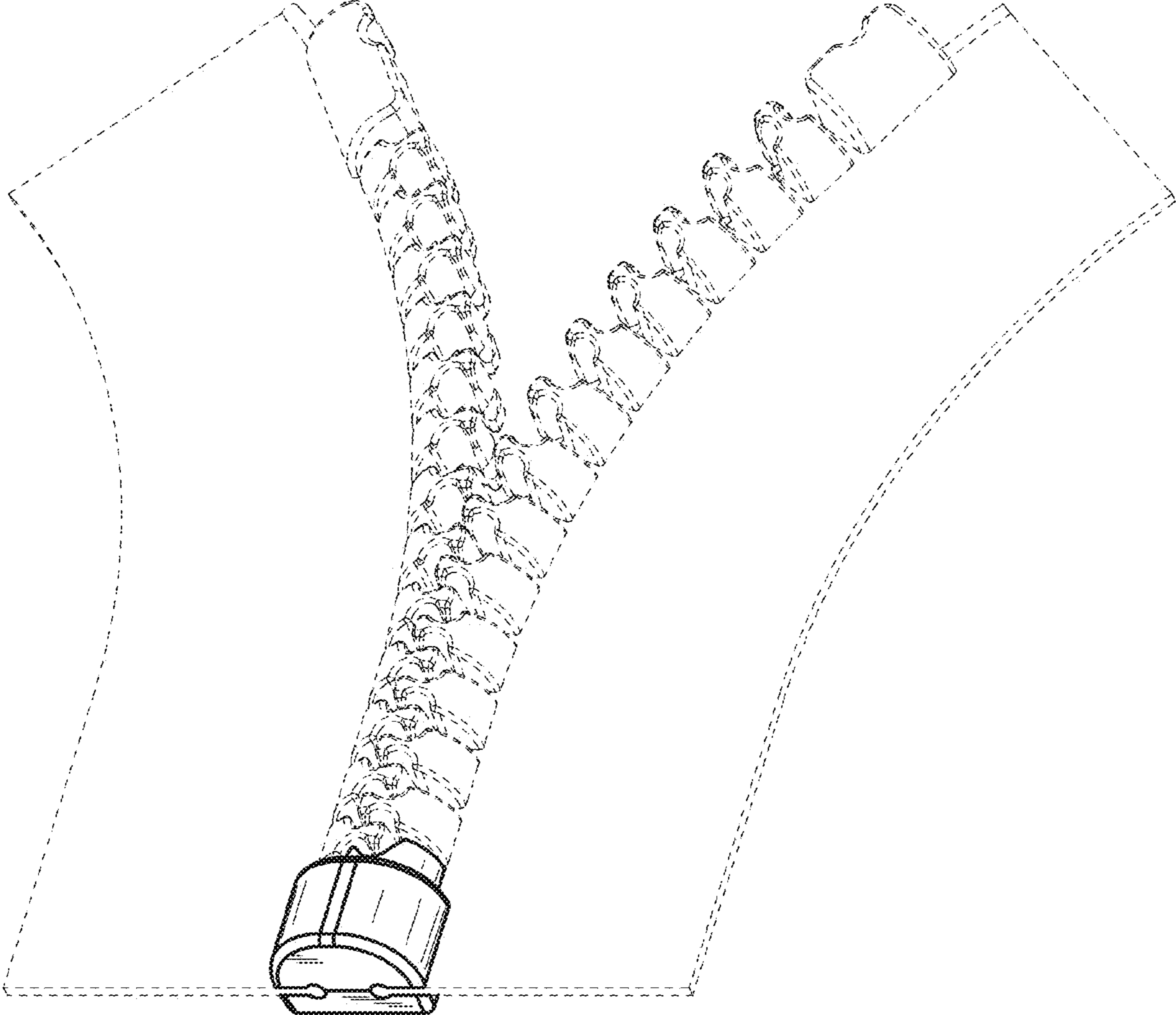


Fig. 10

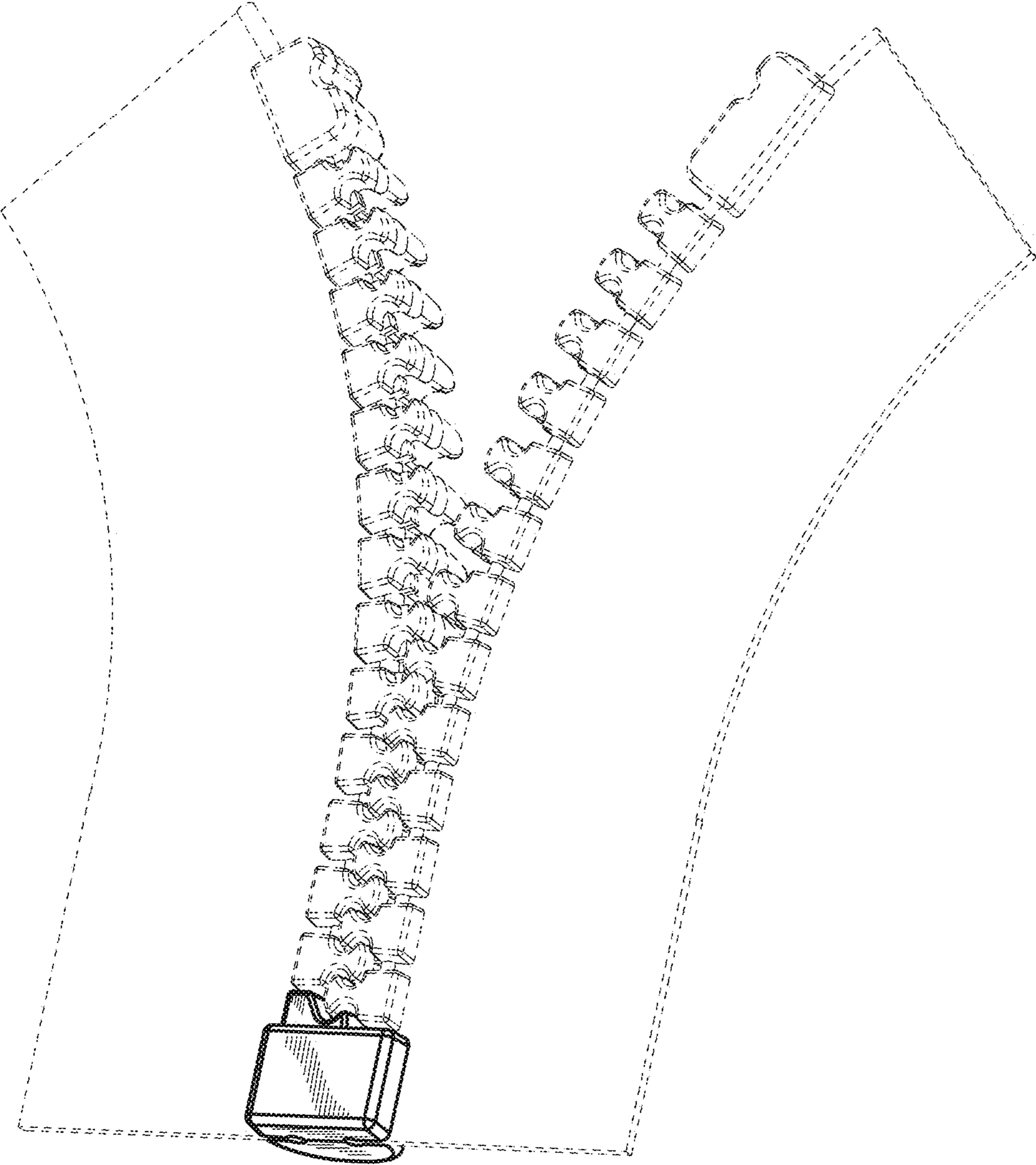


Fig. 11

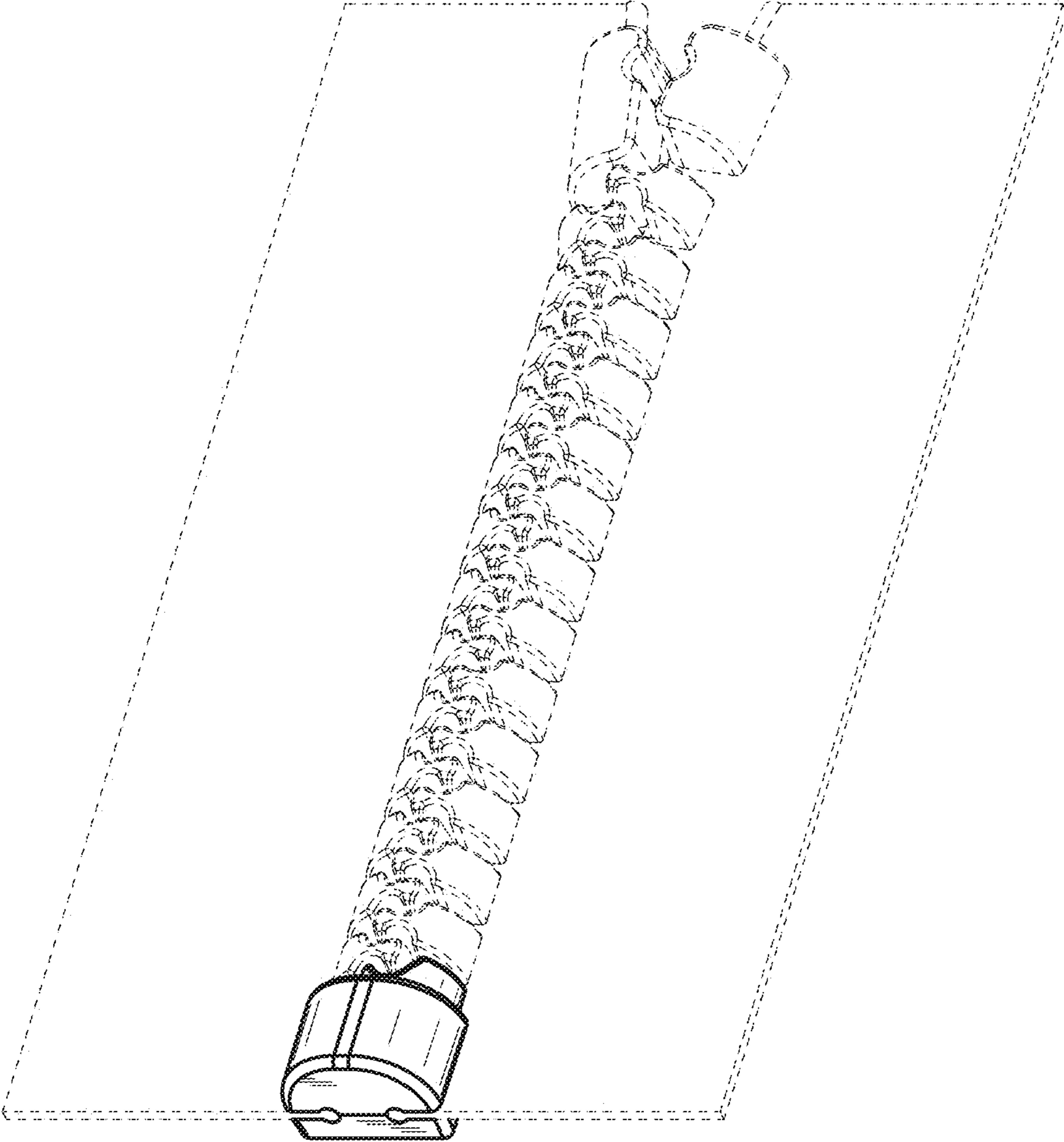


Fig. 12

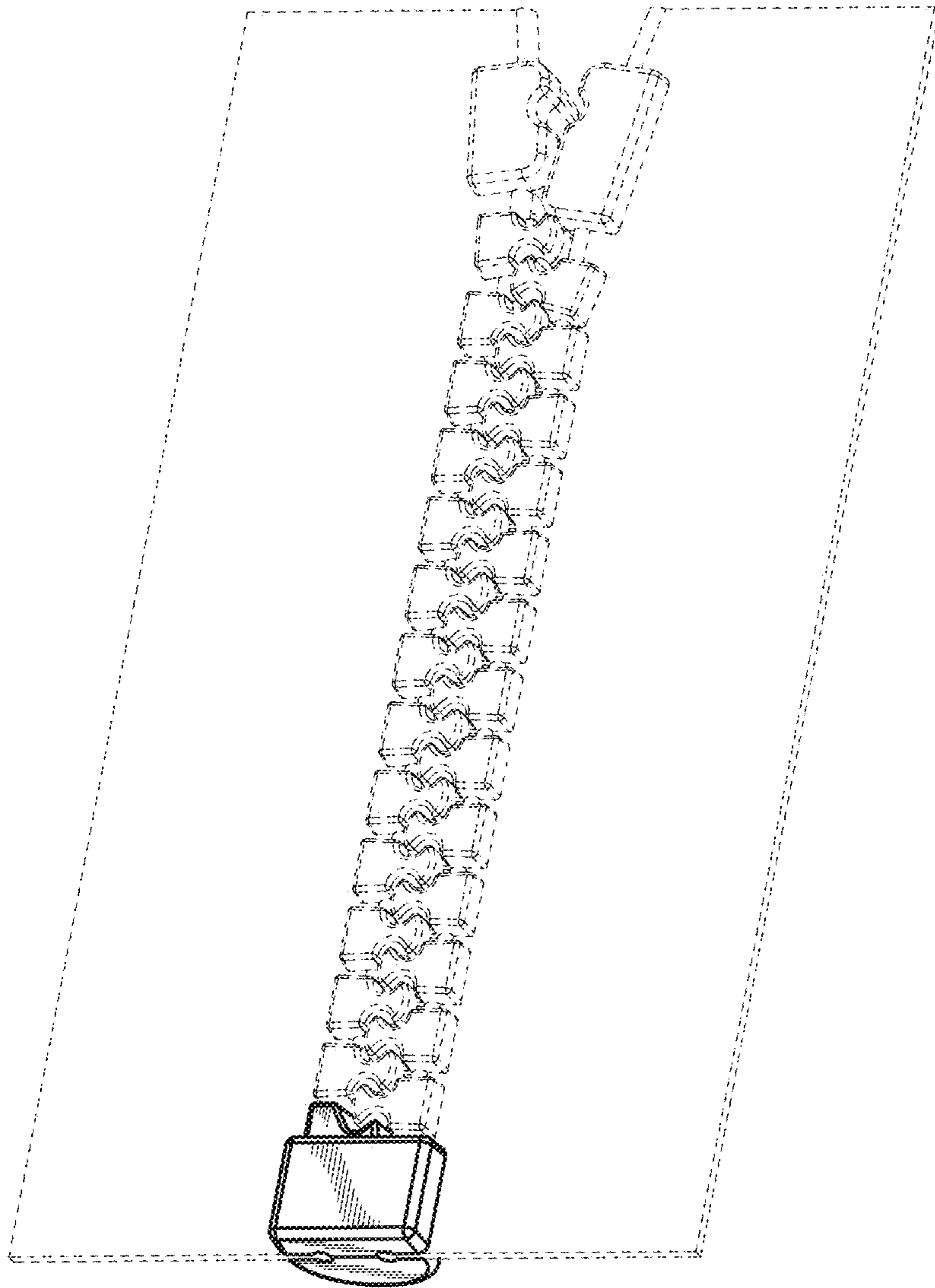


Fig. 13