



US00D880352S

(12) **United States Design Patent**
Chan

(10) **Patent No.:** **US D880,352 S**

(45) **Date of Patent:** **** Apr. 7, 2020**

(54) **SNAP BUTTON**

2012/0304427 A1* 12/2012 Violato A44B 17/0011
24/662

(71) Applicant: **Duraflex Hong Kong Limited**, Hong Kong (HK)

* cited by examiner

(72) Inventor: **Man Chak Chan**, Hong Kong (HK)

Primary Examiner — Cathron C Brooks

(73) Assignee: **Duraflex Hong Kong Limited**, Hong Kong (HK)

Assistant Examiner — John A Voytek

(**) Term: **15 Years**

(57) **CLAIM**

The ornamental design for a snap button, as shown and described.

(21) Appl. No.: **29/656,374**

DESCRIPTION

(22) Filed: **Jul. 12, 2018**

(30) **Foreign Application Priority Data**

Jan. 12, 2018 (CN) 2018 3 0015063

(51) **LOC (12) Cl.** **02-07**

(52) **U.S. Cl.**
USPC **D11/220**

(58) **Field of Classification Search**

USPC D11/95-100, 105, 106, 108, 110, 116,
D11/132, 220, 222, 226, 228, 233;
D14/485, 486; D2/828, 829; D8/387;
D99/27, 34

CPC A44C 7/00; A44C 7/002; H01H 13/70;
Y10S 273/30; A44B 1/14; A44B 1/02;
A44B 1/20; A44B 1/00

See application file for complete search history.

(56) **References Cited**

U.S. PATENT DOCUMENTS

D642,089 S *	7/2011	Chan	D11/220
D678,816 S *	3/2013	Chan	D11/220
D689,395 S *	9/2013	Chan	D11/220
D728,417 S *	5/2015	Pferdehirt	D11/220
D728,418 S *	5/2015	Pferdehirt	D11/220
D728,420 S *	5/2015	Leung	D11/220
D817,810 S *	5/2018	Chen	D11/220
D818,393 S *	5/2018	Chen	D11/220

FIG. 1 is a front elevational view of the snap button with male portion removed from the assembled configuration shown in FIGS. 15-21 for clarity of disclosure;

FIG. 2 is a rear elevational view of FIG. 1;

FIG. 3 is a left side view of FIG. 1;

FIG. 4 is a right side view of FIG. 1;

FIG. 5 is a top plan view of FIG. 1;

FIG. 6 is a bottom plan view of FIG. 1;

FIG. 7 is a rear perspective view of FIG. 1;

FIG. 8 is a front elevational view of the snap button with female portion removed from the assembled configuration shown in FIGS. 15-21 for clarity of disclosure;

FIG. 9 is a rear elevational view of FIG. 8;

FIG. 10 is a left side view of FIG. 8;

FIG. 11 is a right side view of FIG. 8;

FIG. 12 is a top plan view of FIG. 8;

FIG. 13 is a bottom plan view of FIG. 8;

FIG. 14 is a rear perspective view of FIG. 8;

FIG. 15 is a front elevational view of the assembled snap button;

FIG. 16 is a rear elevational view of FIG. 15;

FIG. 17 is a left side view of FIG. 15;

FIG. 18 is a right side view of FIG. 15;

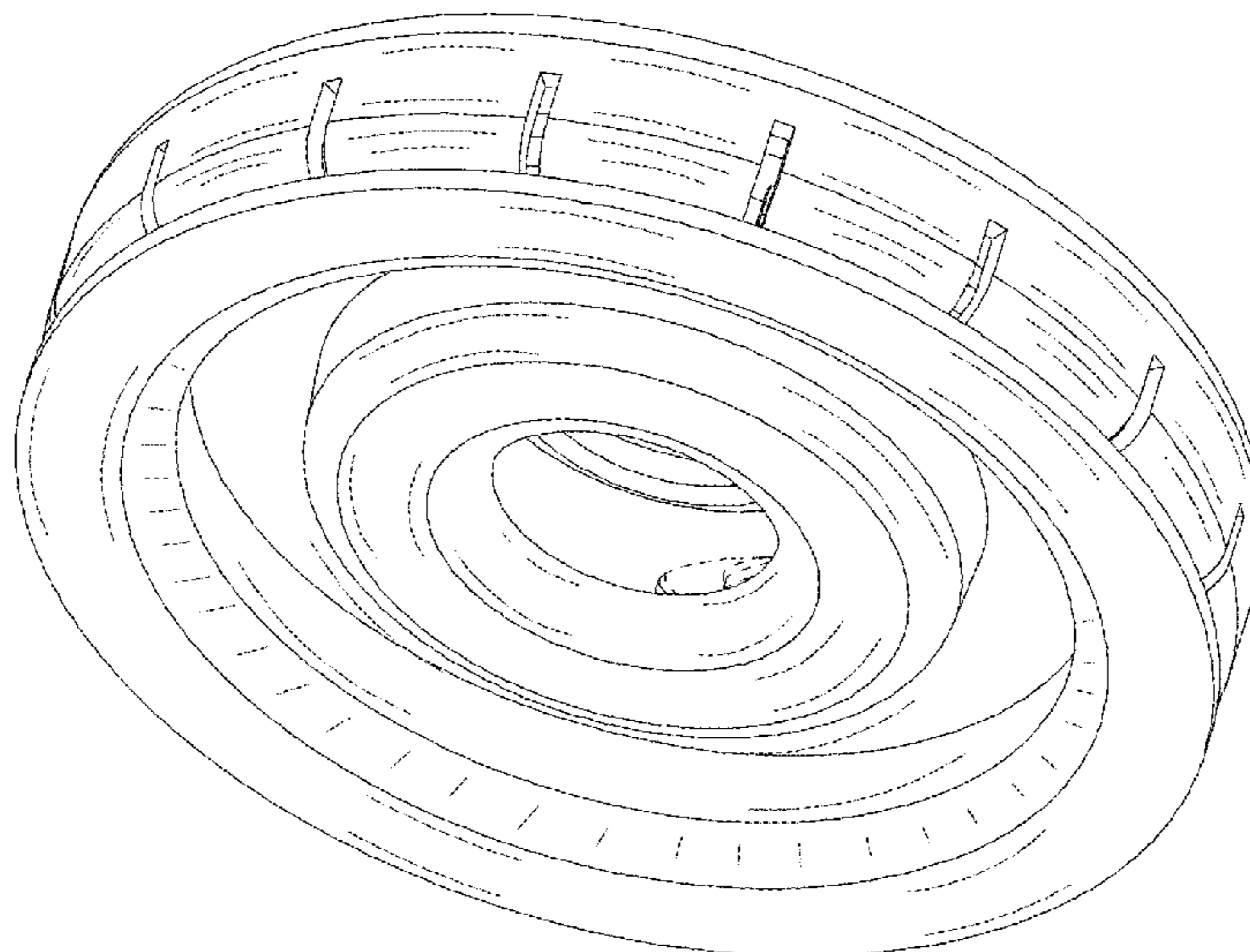
FIG. 19 is a top plan view of FIG. 15;

FIG. 20 is a bottom plan view of FIG. 15; and,

FIG. 21 is a rear perspective view of FIG. 15.

The broken lines in the drawings illustrate portions of the snap button which form no part of the claimed design.

1 Claim, 20 Drawing Sheets



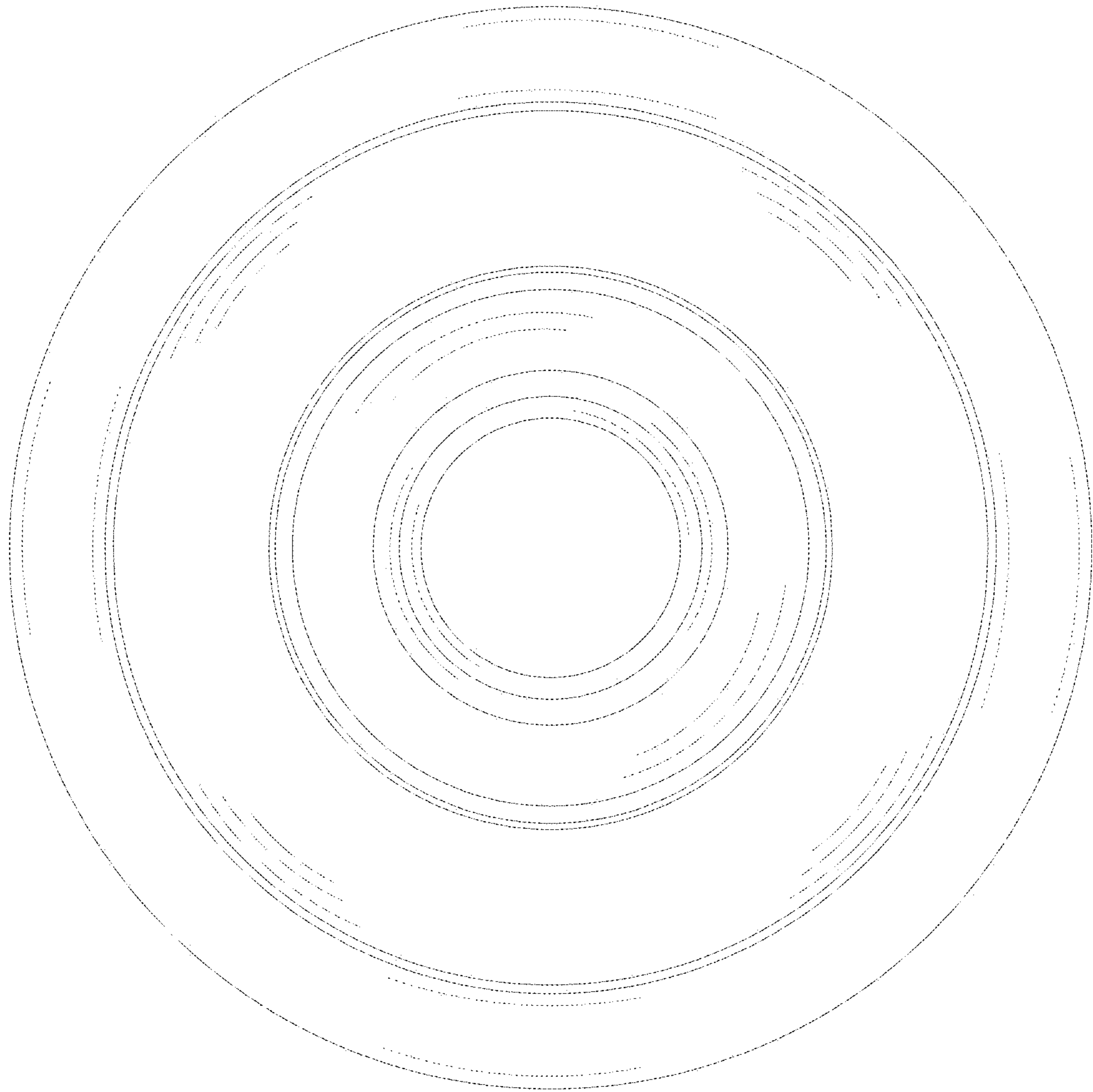


Fig. 1

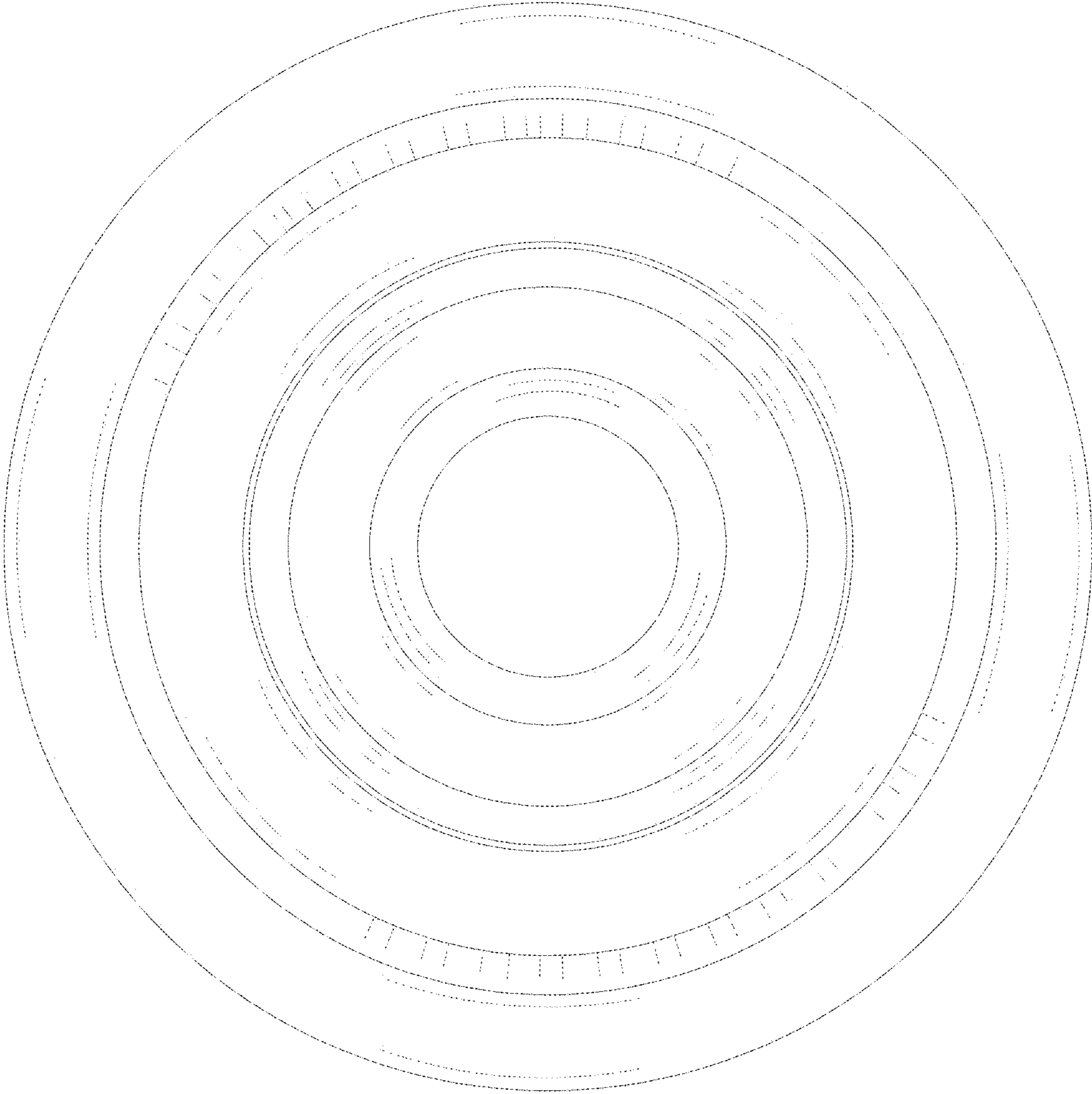


Fig. 2

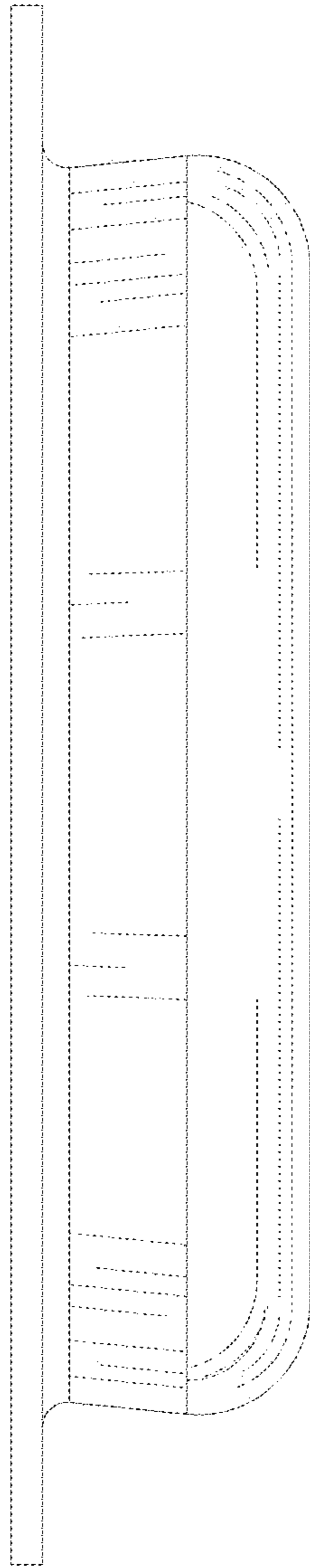


Fig. 3

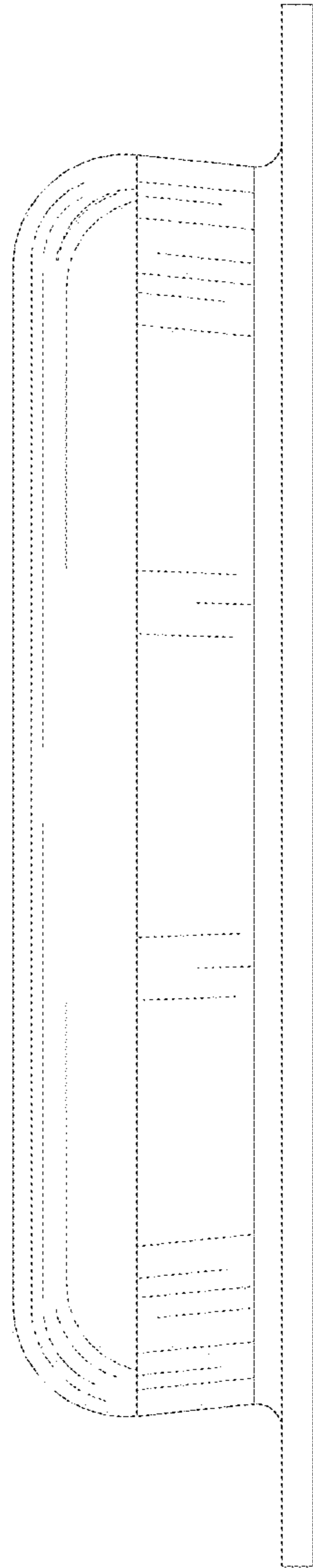


Fig. 4

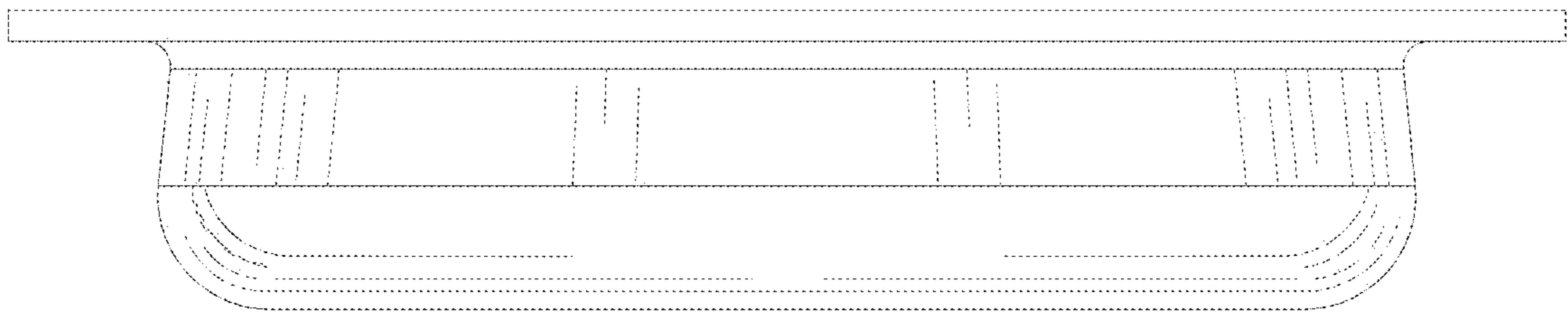


Fig. 5

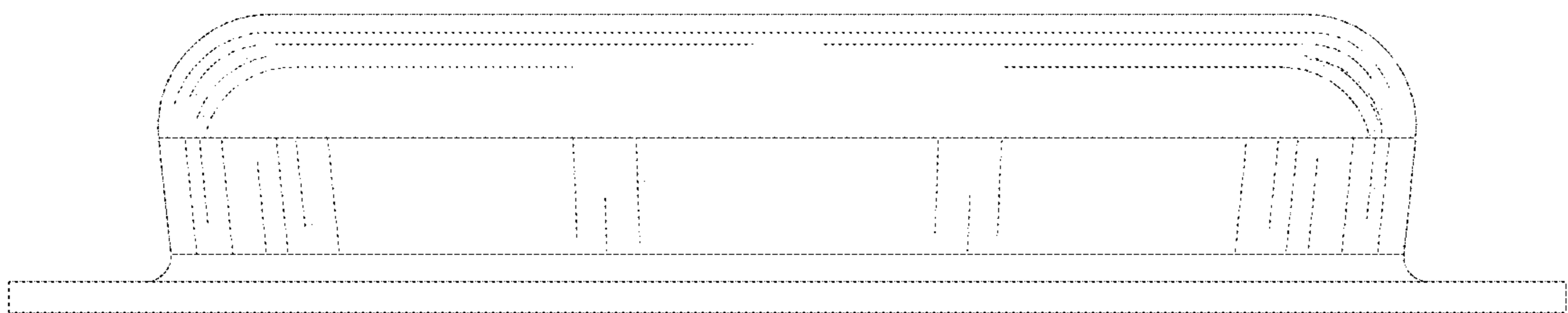


Fig. 6

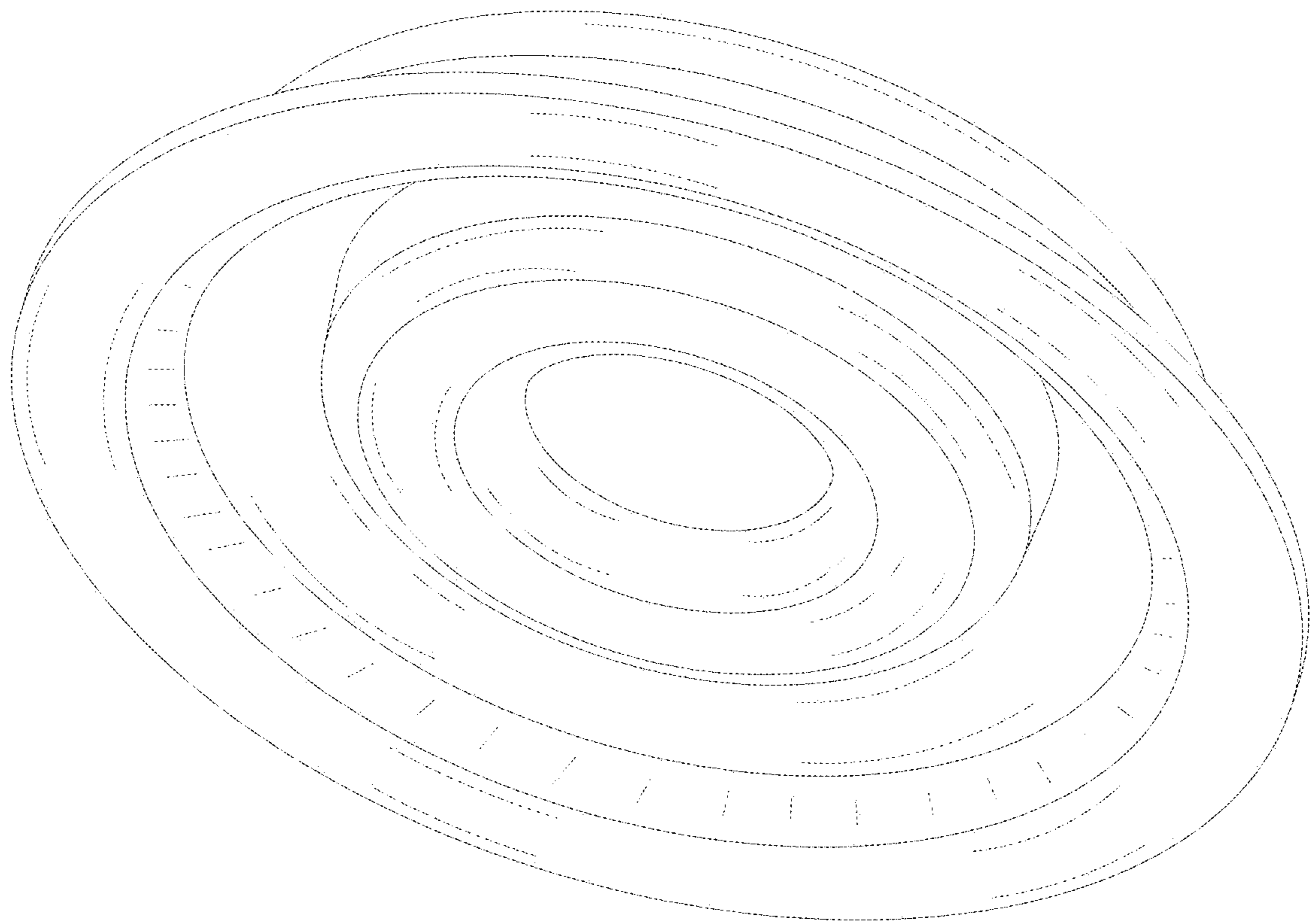


Fig. 7



Fig. 8

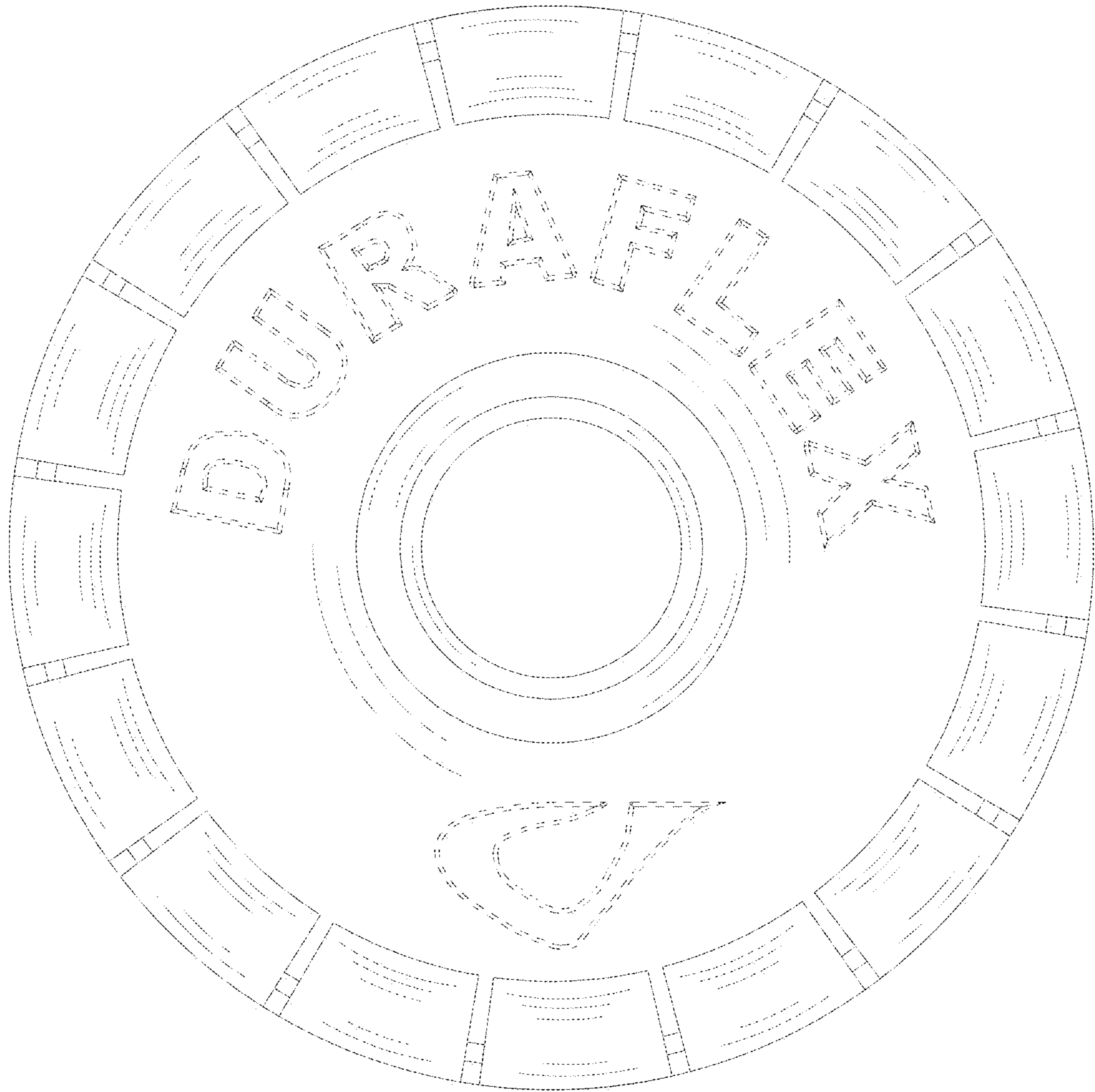


Fig.9

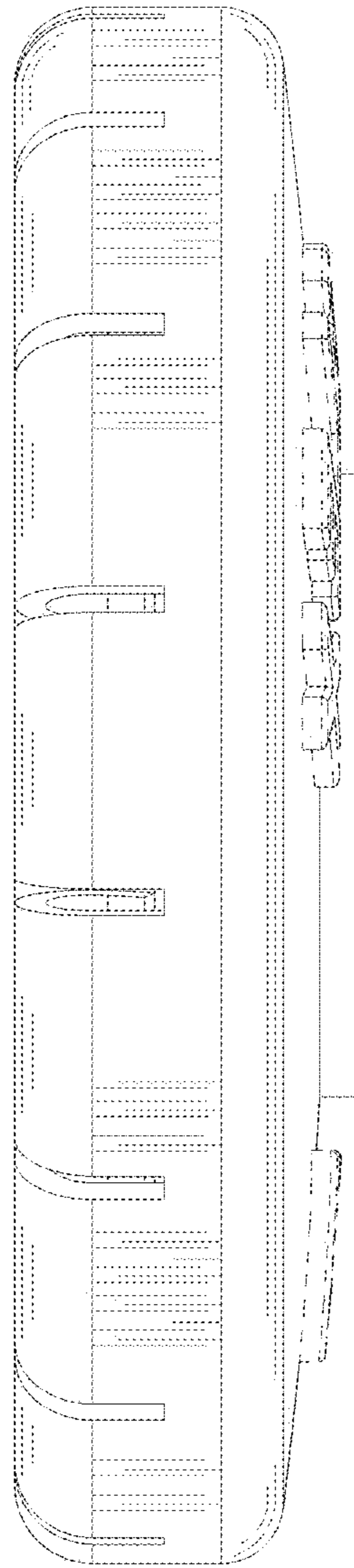


Fig. 10

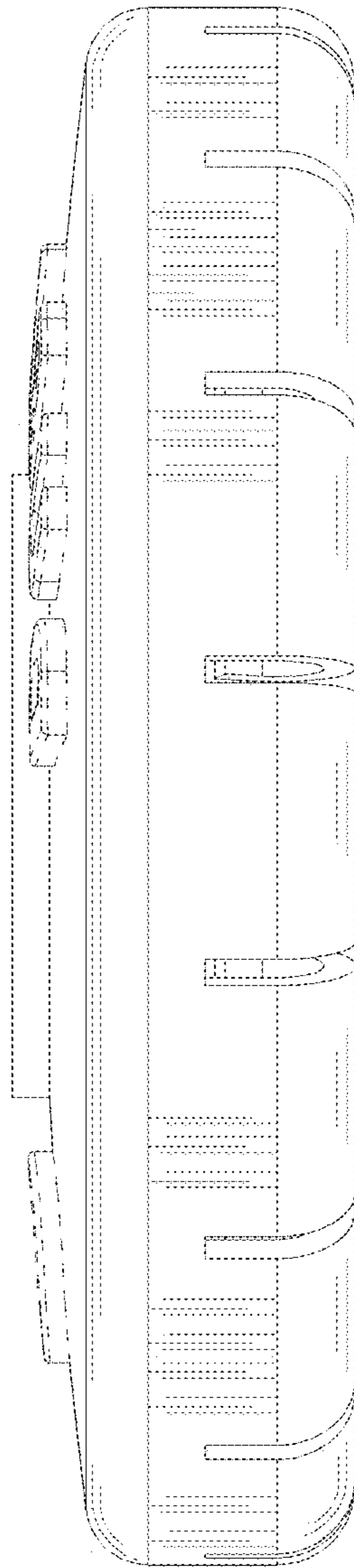


Fig. 11

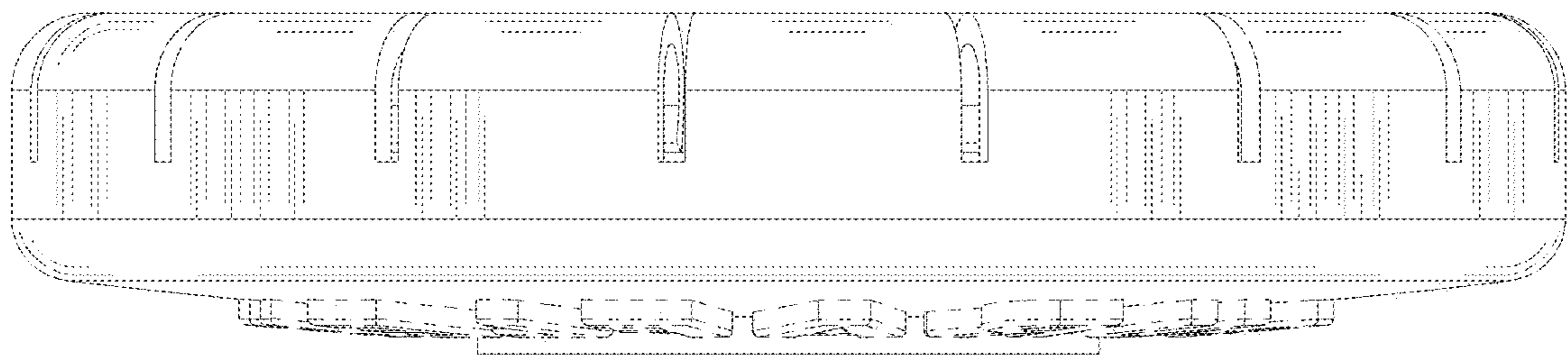


Fig. 12

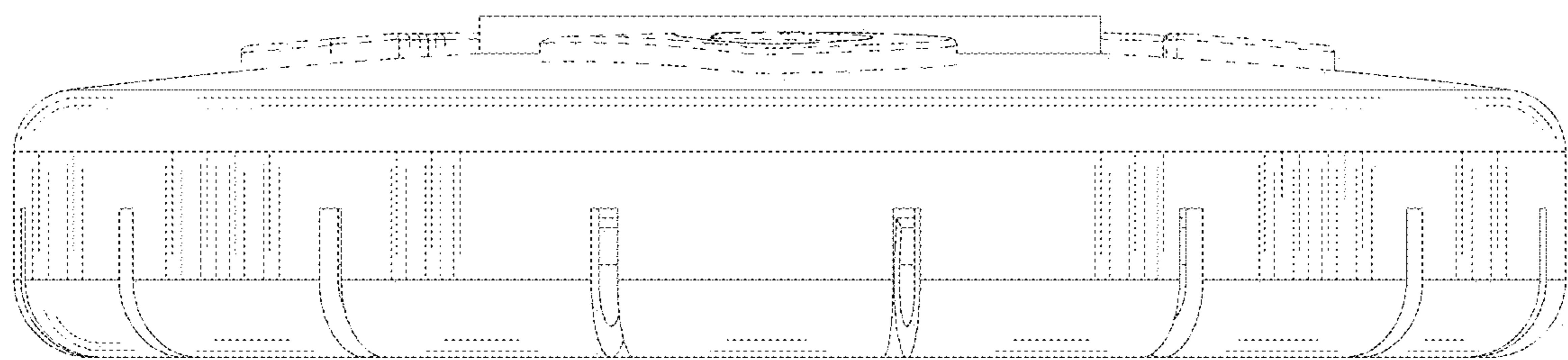


Fig. 13

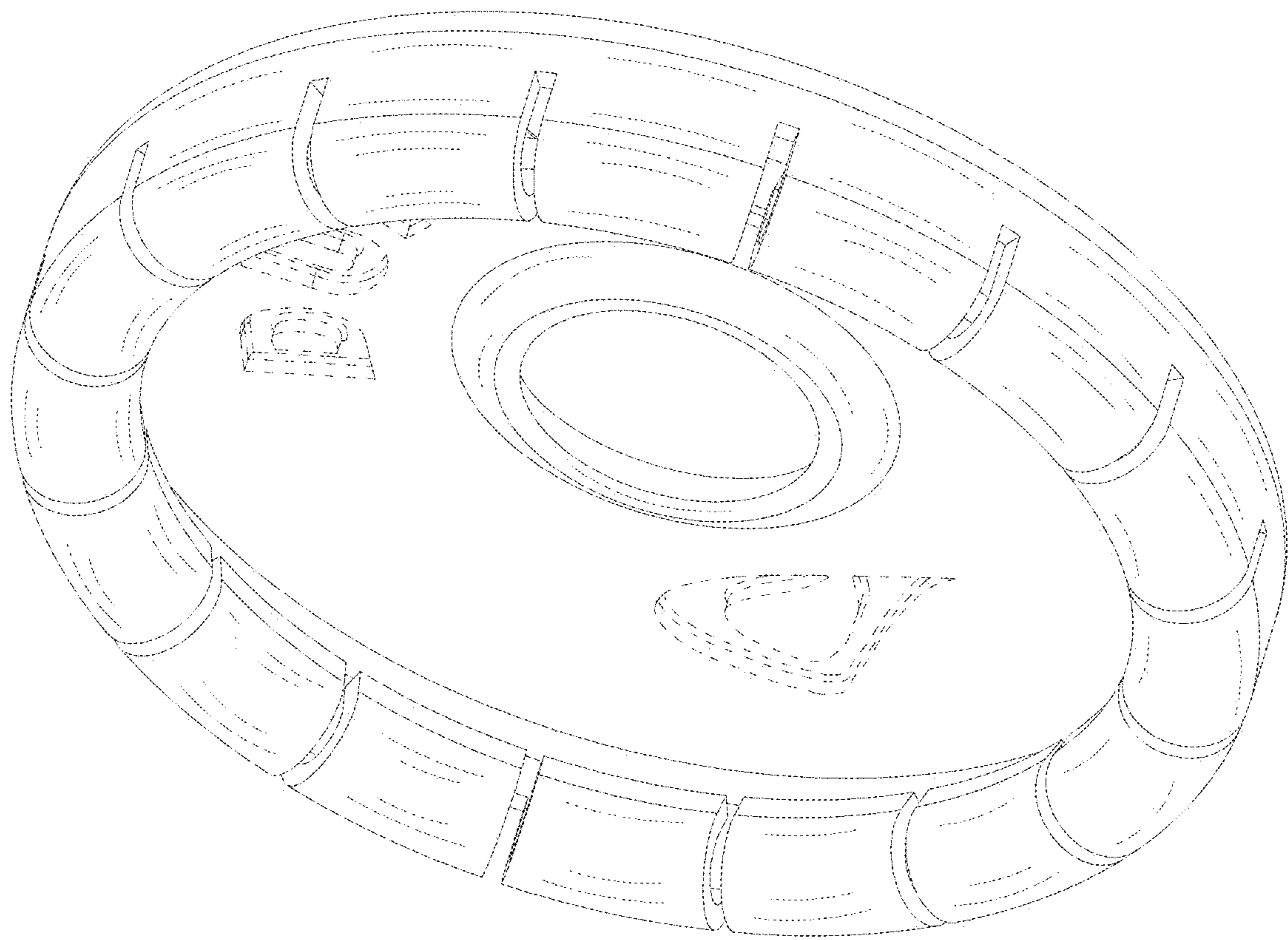


Fig. 14

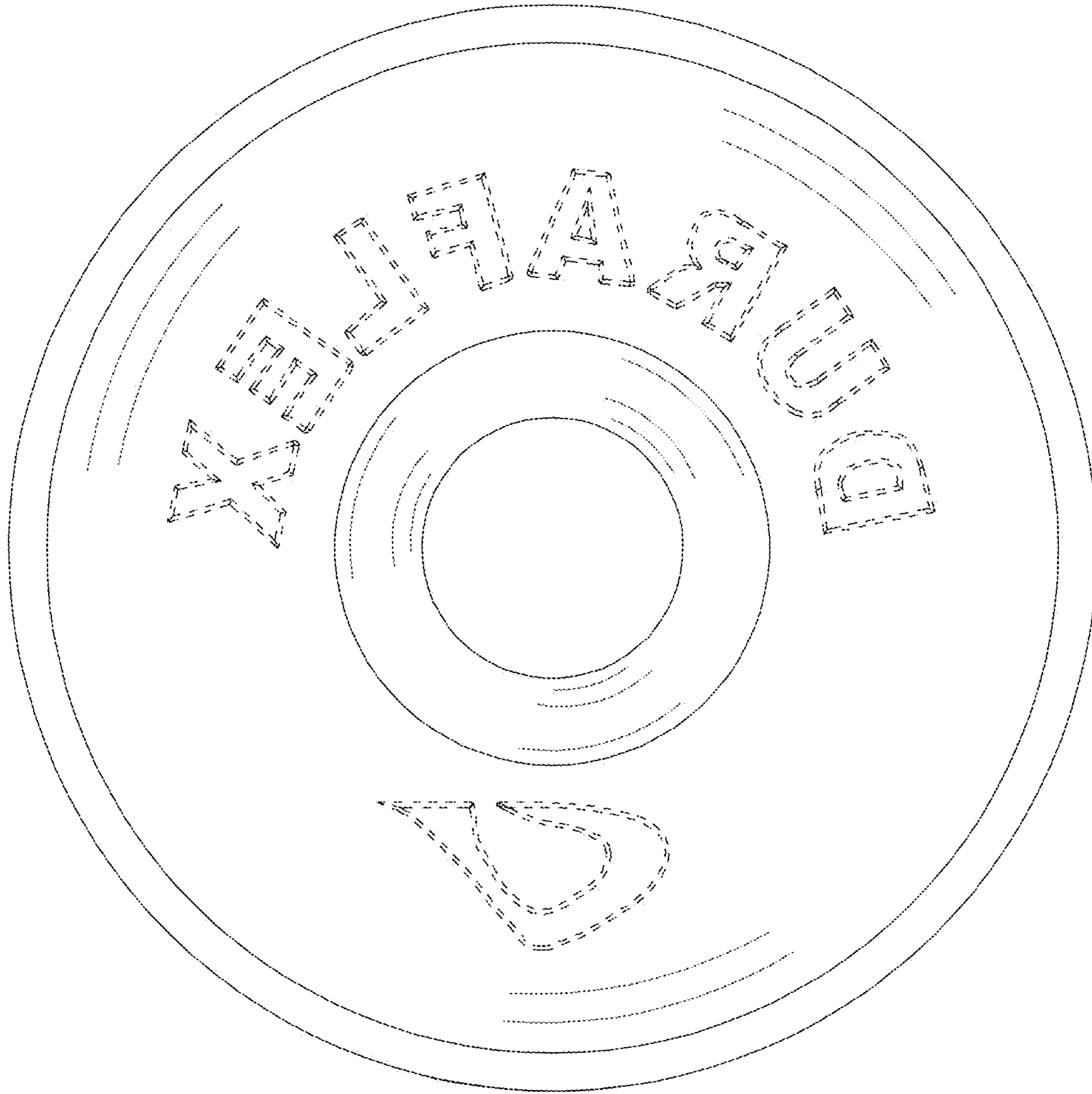


Fig. 15

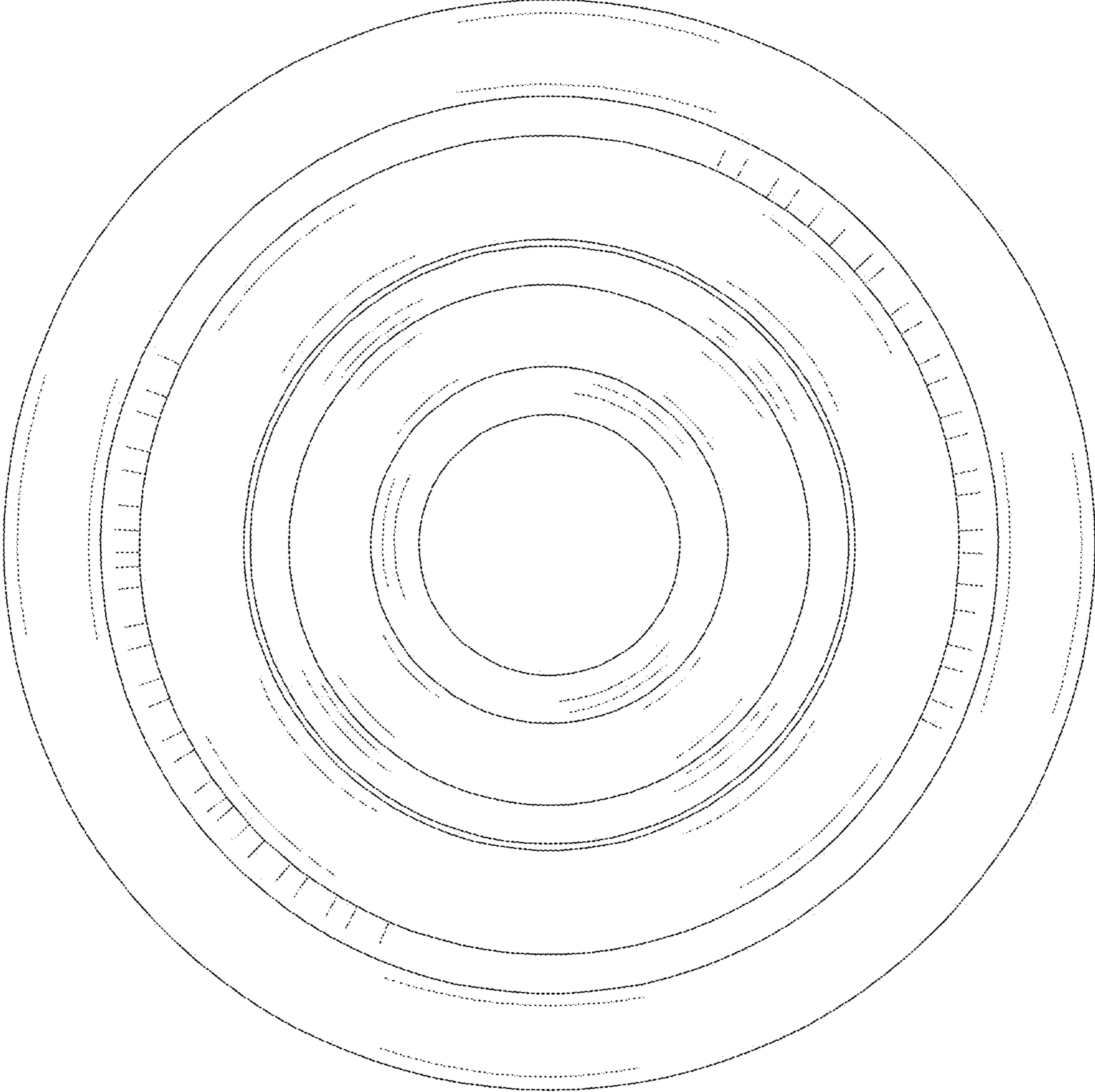


Fig. 16

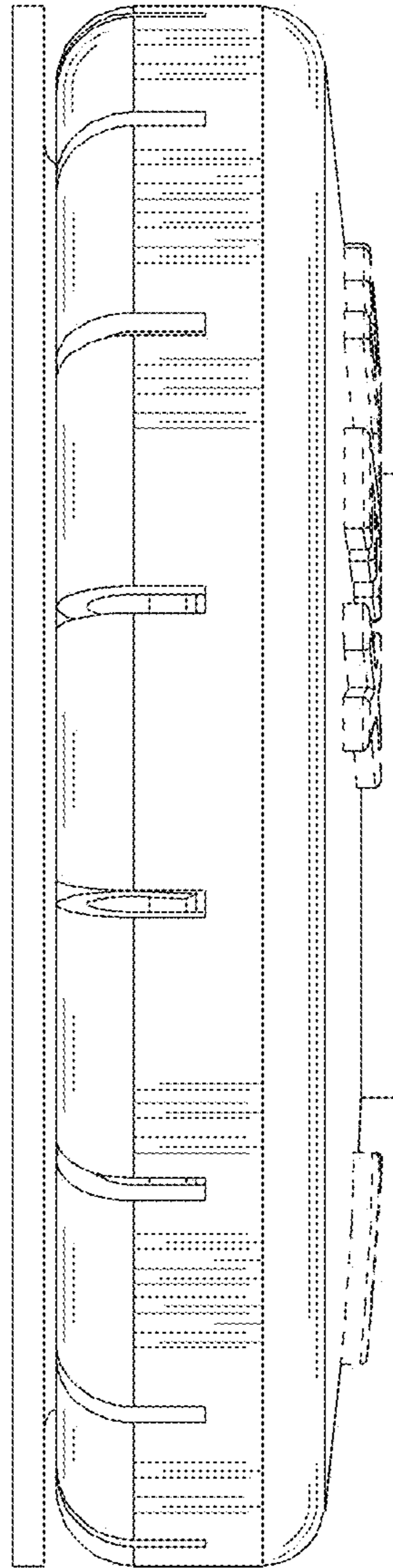


Fig. 17

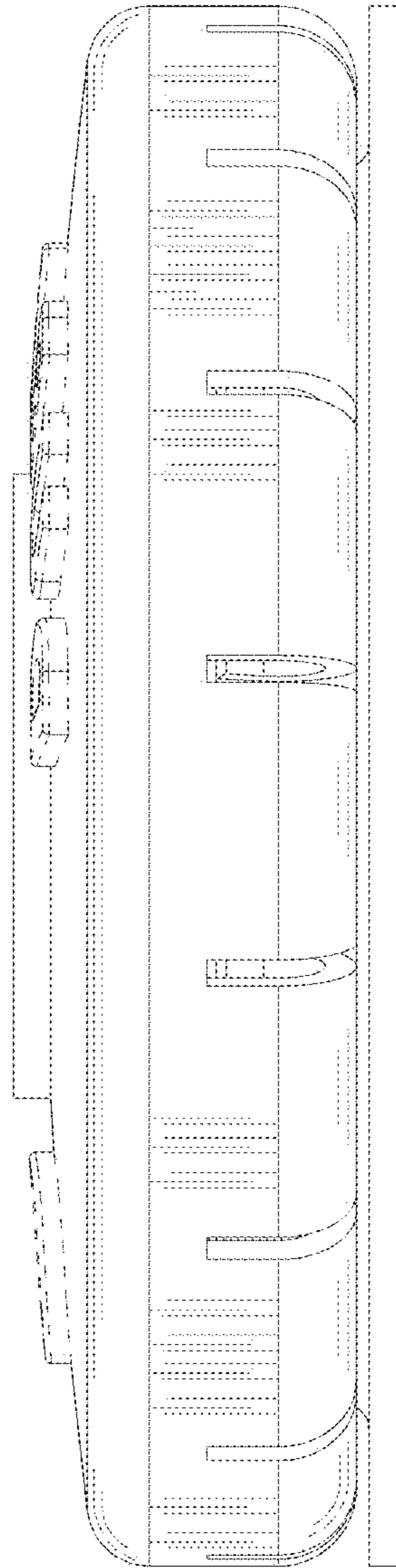


Fig. 18

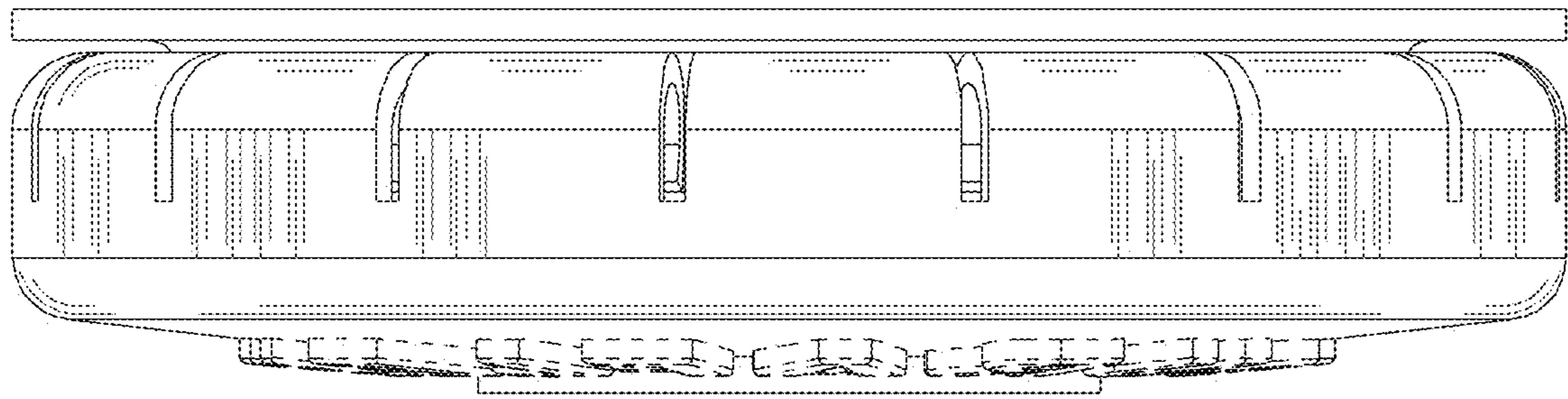


Fig. 19

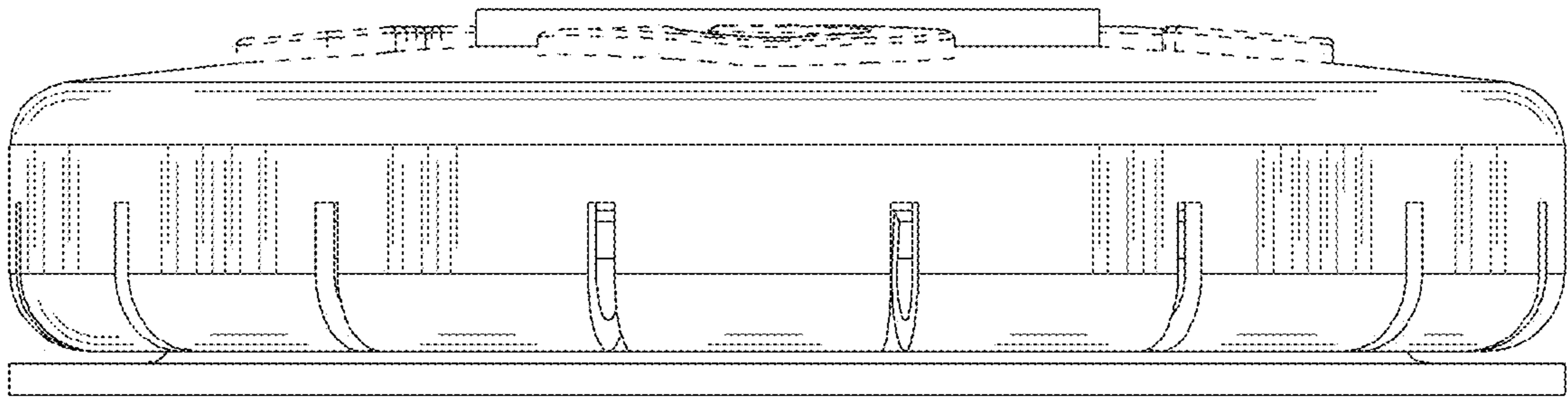


Fig. 20

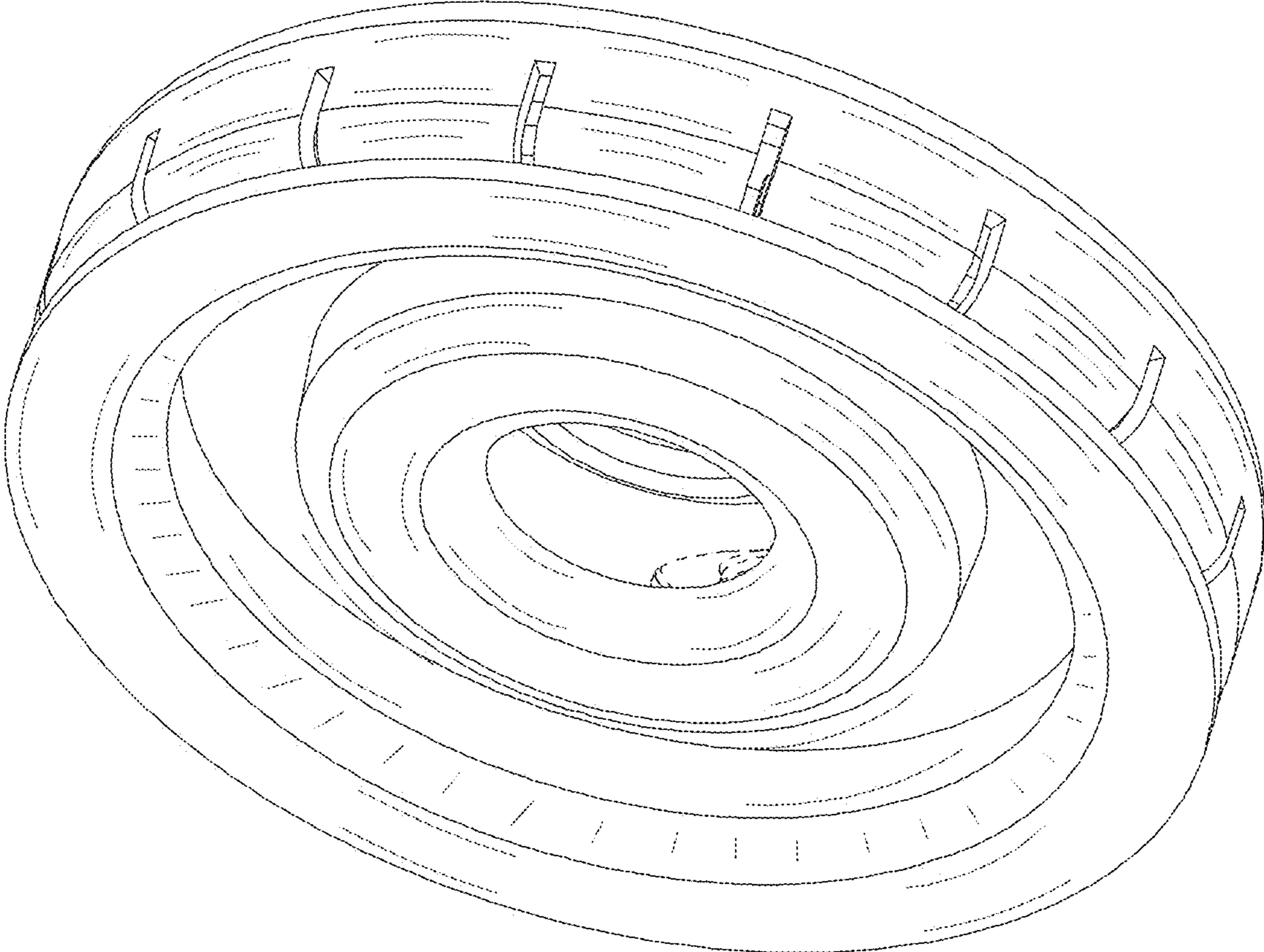


Fig. 21