



US00D880350S

(12) **United States Design Patent**
Paik et al.

(10) **Patent No.:** **US D880,350 S**

(45) **Date of Patent:** **** Apr. 7, 2020**

- (54) **BUCKLE MEMBER FOR BAGS**
- (71) Applicant: **WOJIN PLASTIC CO., LTD.**,
Guri-si, Gyeonggi-do (KR)
- (72) Inventors: **Jisook Paik**, Seoul (KR); **Nan Hee Paik**, Seoul (KR); **Ji Hye Paik**, Seoul (KR); **Ji Won Son**, Seoul (KR)
- (73) Assignee: **WOJIN PLASTIC CO., LTD.**,
Guri-si, Gyeonggi-Do (KR)
- (**) Term: **15 Years**
- (21) Appl. No.: **29/656,905**
- (22) Filed: **Jul. 17, 2018**
- (30) **Foreign Application Priority Data**
Jan. 23, 2018 (KR) 30-2018-00037771
- (51) **LOC (12) Cl.** **02-07**
- (52) **U.S. Cl.**
USPC **D11/215; D11/216**
- (58) **Field of Classification Search**
USPC D2/624-640, 853, 976; D3/24, 213, 215, D3/216, 230, 222, 202; D8/14, 16, 19, D8/331, 343, 349, 356, 358, 359, 360, D8/363, 366, 371, 382, 394, 395, 372; D10/32; D11/1-3, 87, 93, 200, 201, D11/206-210, 212-219, 220, 230-237; D29/100-101.5, 122, 129; D30/139, 152, D30/153
CPC A44B 11/00; A44B 11/02; A44B 11/04; A44B 11/05; A44B 11/06; A44B 11/10; A44B 11/14; A44B 11/18; A44B 11/22; A44B 11/26; A44B 11/125; A44B 11/233; A44B 11/001; A44B 11/005; A44B 11/006;

(Continued)

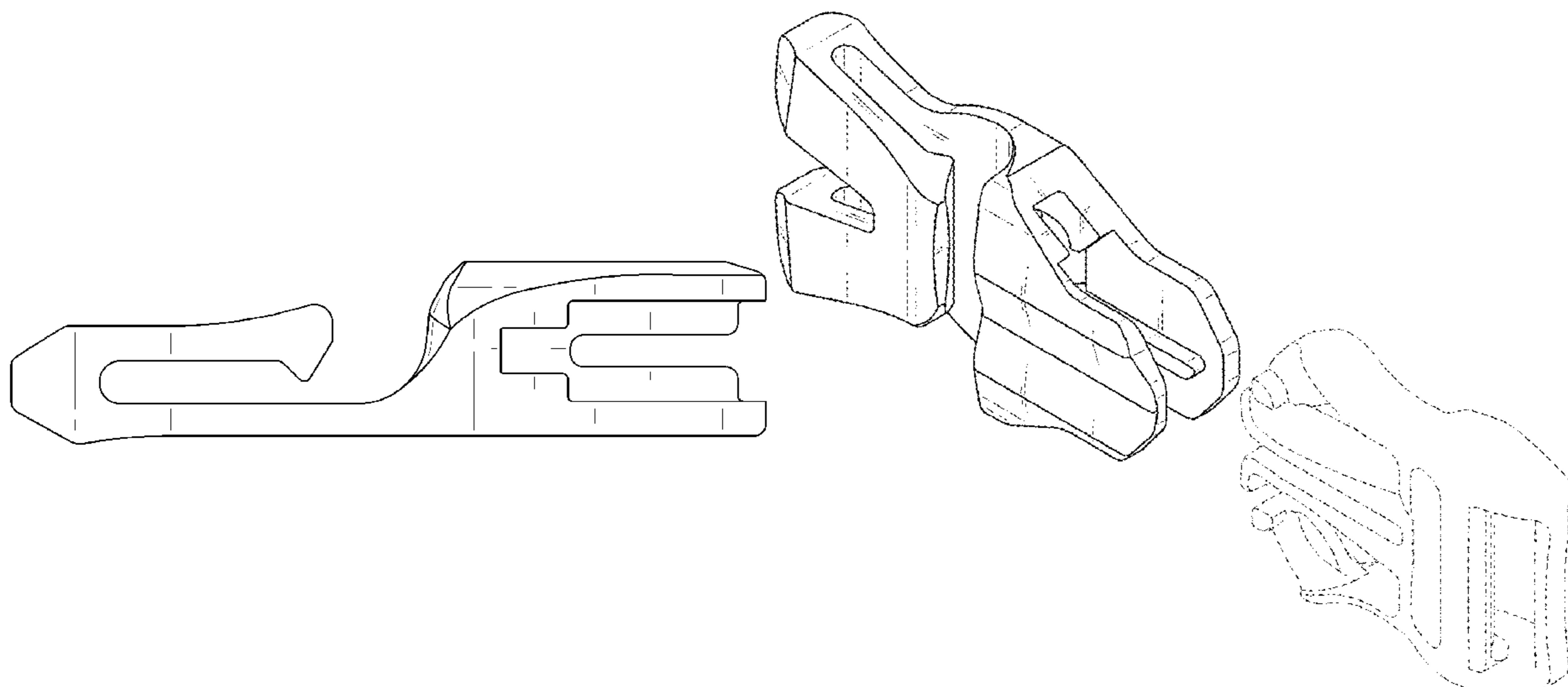
- (56) **References Cited**
U.S. PATENT DOCUMENTS
D454,294 S * 3/2002 Nishida D8/367
D629,715 S * 12/2010 Hermann D11/210
(Continued)
FOREIGN PATENT DOCUMENTS
CN 302840290 * 6/2014
OTHER PUBLICATIONS
Sternum clip Adventurexpert, no date available, [online], [site visited Jan. 13, 2020]. Retrieved from url:https://www.adventurexpert.com/product/sternum-clip/ (Year: 2020).*

Primary Examiner — Jeffrey D Asch
Assistant Examiner — Tracey J Bell
(74) *Attorney, Agent, or Firm* — Novick, Kim & Lee, PLLC; Jae Youn Kim

(57) **CLAIM**
The ornamental design for a buckle member for bags, as shown and described.

DESCRIPTION
FIG. 1 is a perspective view of a buckle member for bags showing our new design;
FIG. 2 is a front view thereof;
FIG. 3 is a rear view thereof;
FIG. 4 is a left-side view thereof;
FIG. 5 is a right-side view thereof;
FIG. 6 is a top view thereof;
FIG. 7 is a bottom view thereof;
FIG. 8 is a cross-sectional view taken along line A-A in FIG. 2; and,
FIG. 9 is a perspective view of the buckle member for bags shown with environmental subject matter.
The broken line showing of a male buckle member in FIG. 9 depicts environmental subject matter that forms no part of the claimed design.

1 Claim, 9 Drawing Sheets



(58) **Field of Classification Search**

CPC A44B 11/2503; A44B 11/2507; A44B
11/2526; A44B 11/2553; A44B 11/2592;
A44B 11/2519; A44B 11/2452; A44B
13/00; A41F 1/008; A41F 9/002; A41F
9/007; A41F 15/002; B60R 22/30; B60R
22/32; B60R 22/002; B60R 2022/1806;
B60R 2022/1812; B60R 2022/281; B65D
63/16; A62B 35/00

See application file for complete search history.

(56) **References Cited**

U.S. PATENT DOCUMENTS

D686,529	S	*	7/2013	Paik	D11/216
D700,829	S	*	3/2014	Nanbu	D8/367
D711,775	S	*	8/2014	Paik	D11/218
D724,994	S	*	3/2015	Paik	D11/216
D724,995	S	*	3/2015	Paik	D11/216
D729,046	S	*	5/2015	Paik	D8/367
D742,722	S	*	11/2015	Paik	D8/356
D752,480	S	*	3/2016	Chan	D11/218
D757,602	S	*	5/2016	Chan	D11/216
10,400,471	B2	*	9/2019	Chan	E04H 15/32

OTHER PUBLICATIONS

Woojin Plastic—Bunny Sternum System, no date available, [online],
[site visited Jan. 13, 2020]. Retrieved from url:http://woojinplastic.com/kr/product/view.php?idx=420&part1_idx=32&part_idx=32 (Year: 2020).*

* cited by examiner

Fig. 1

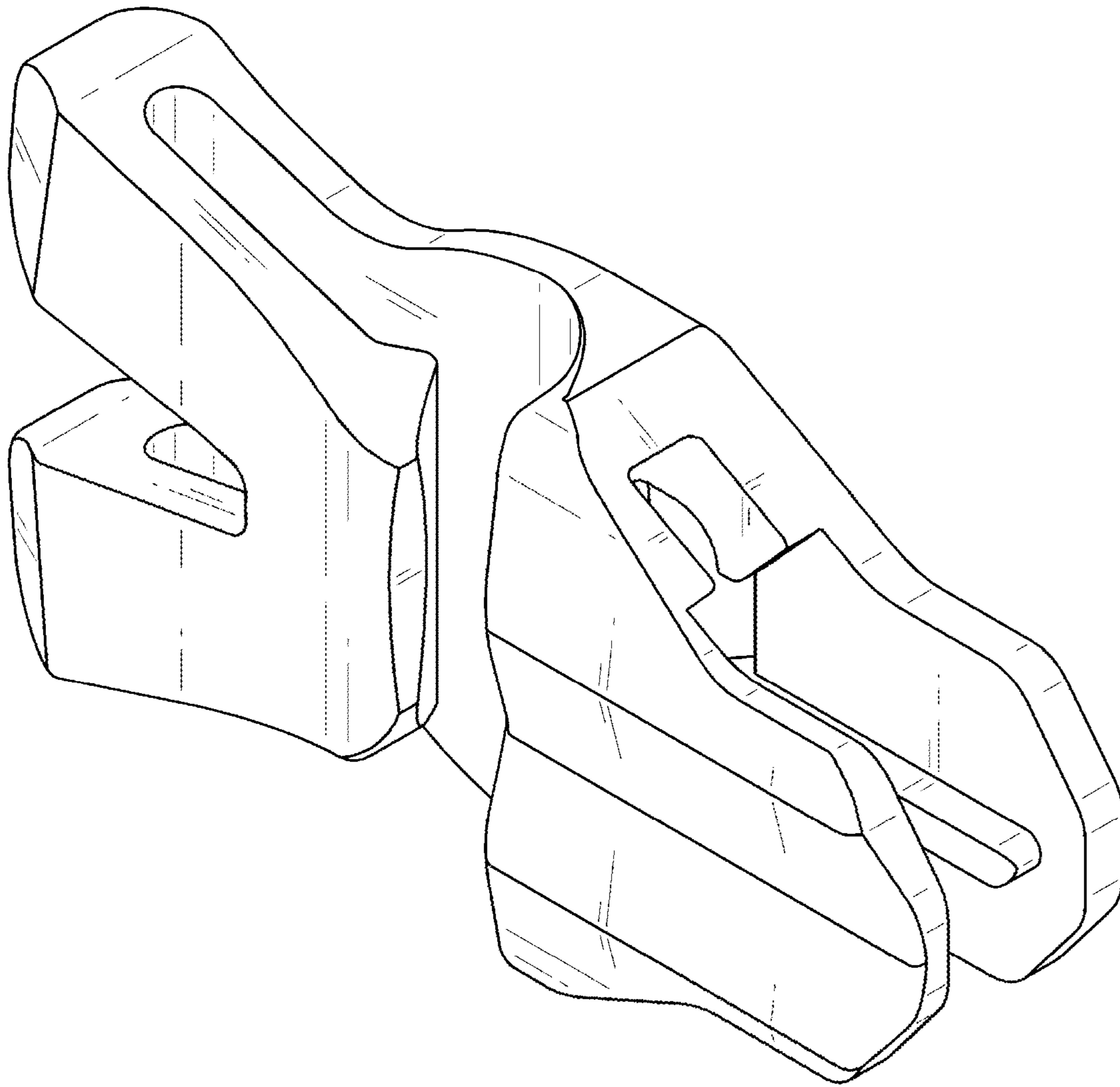


Fig. 2

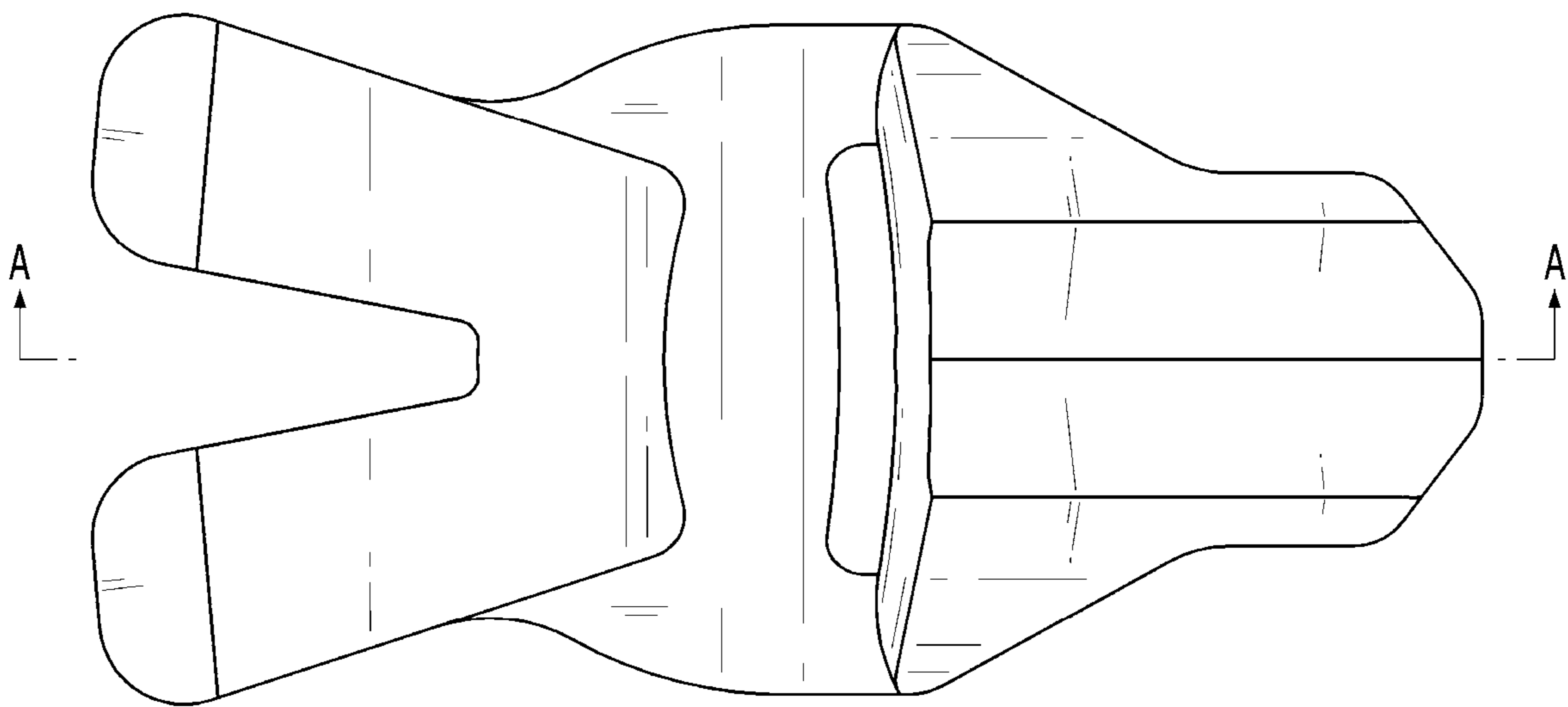


Fig. 3

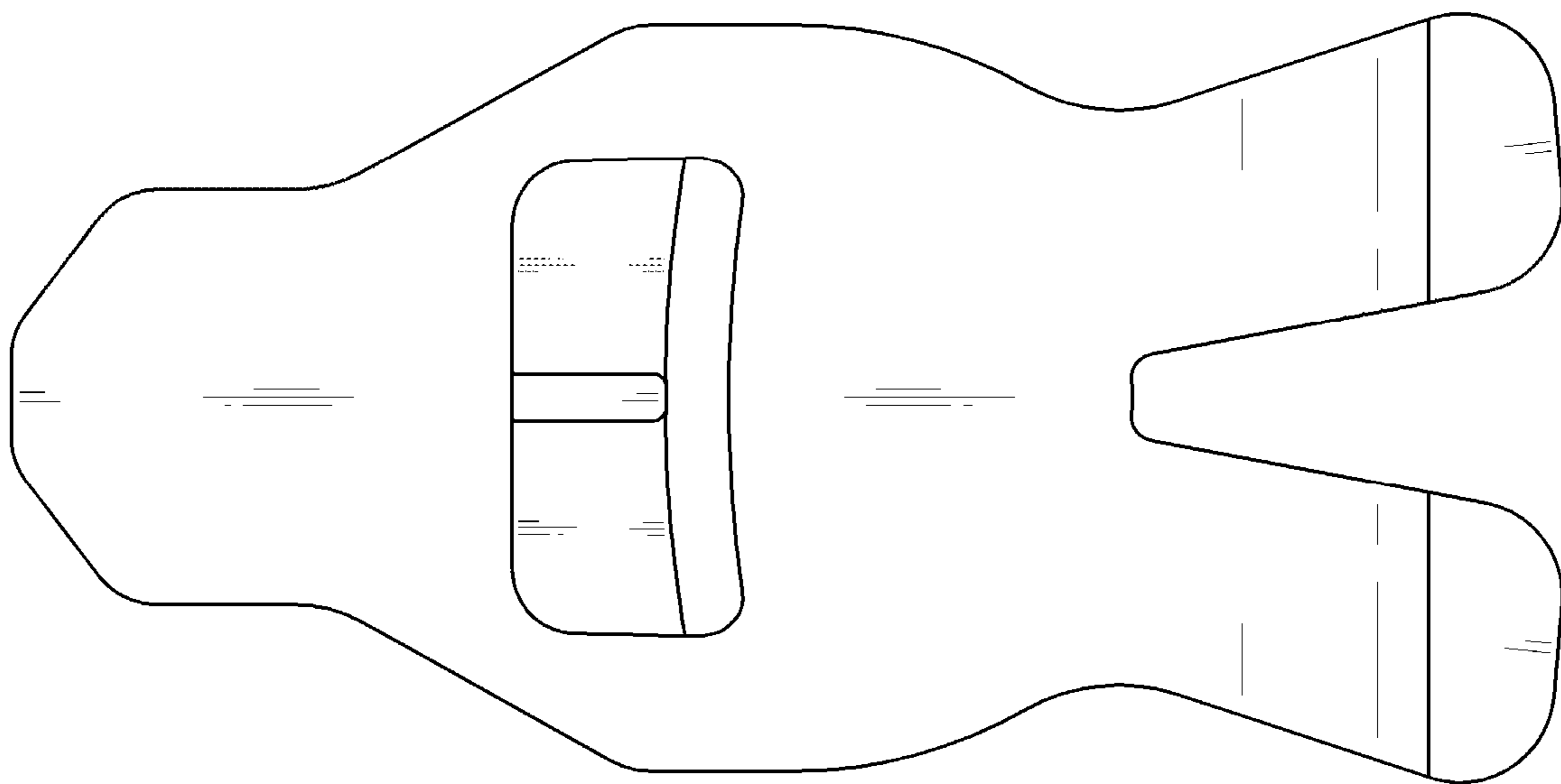


Fig. 4

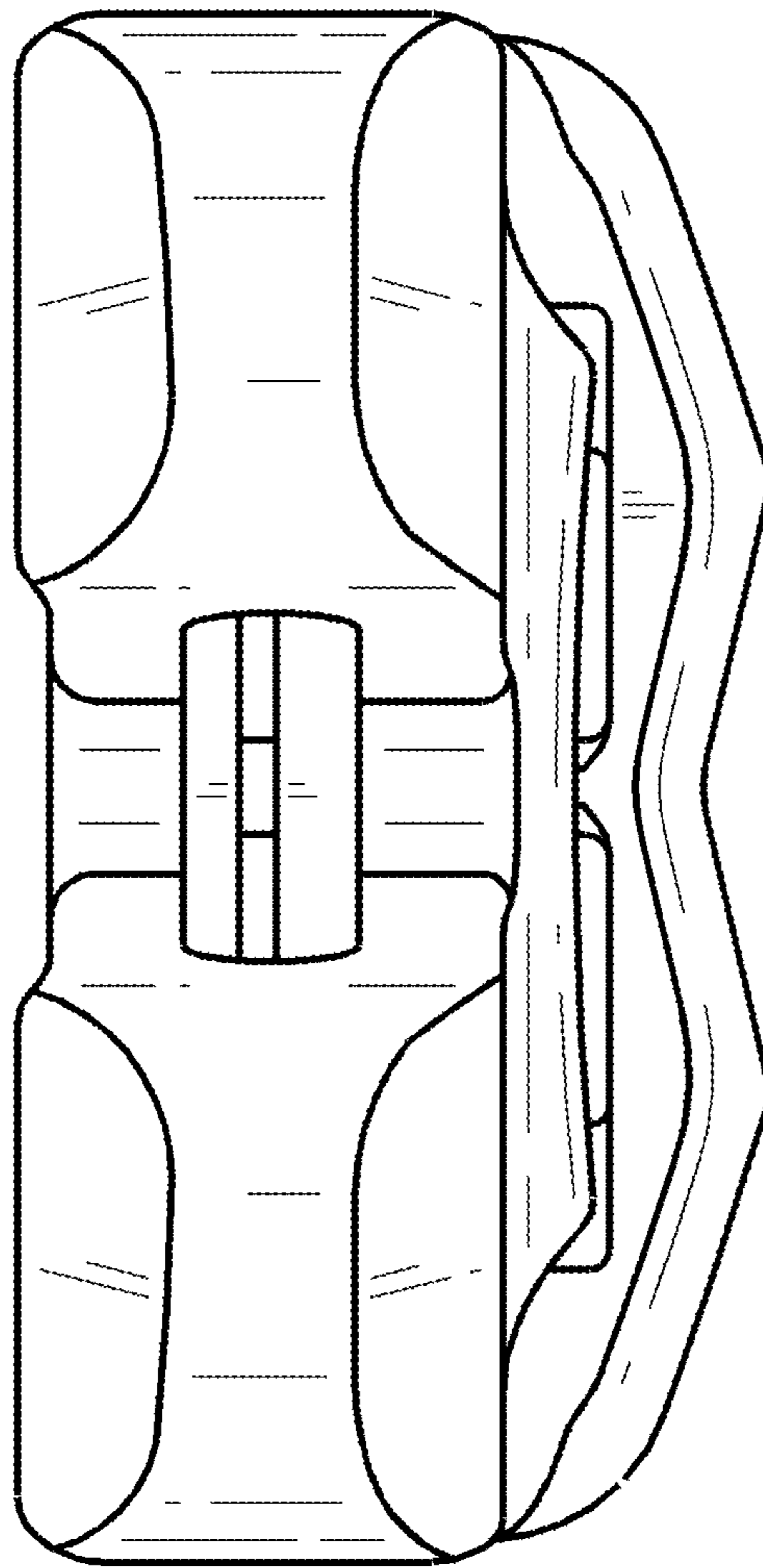


Fig. 5

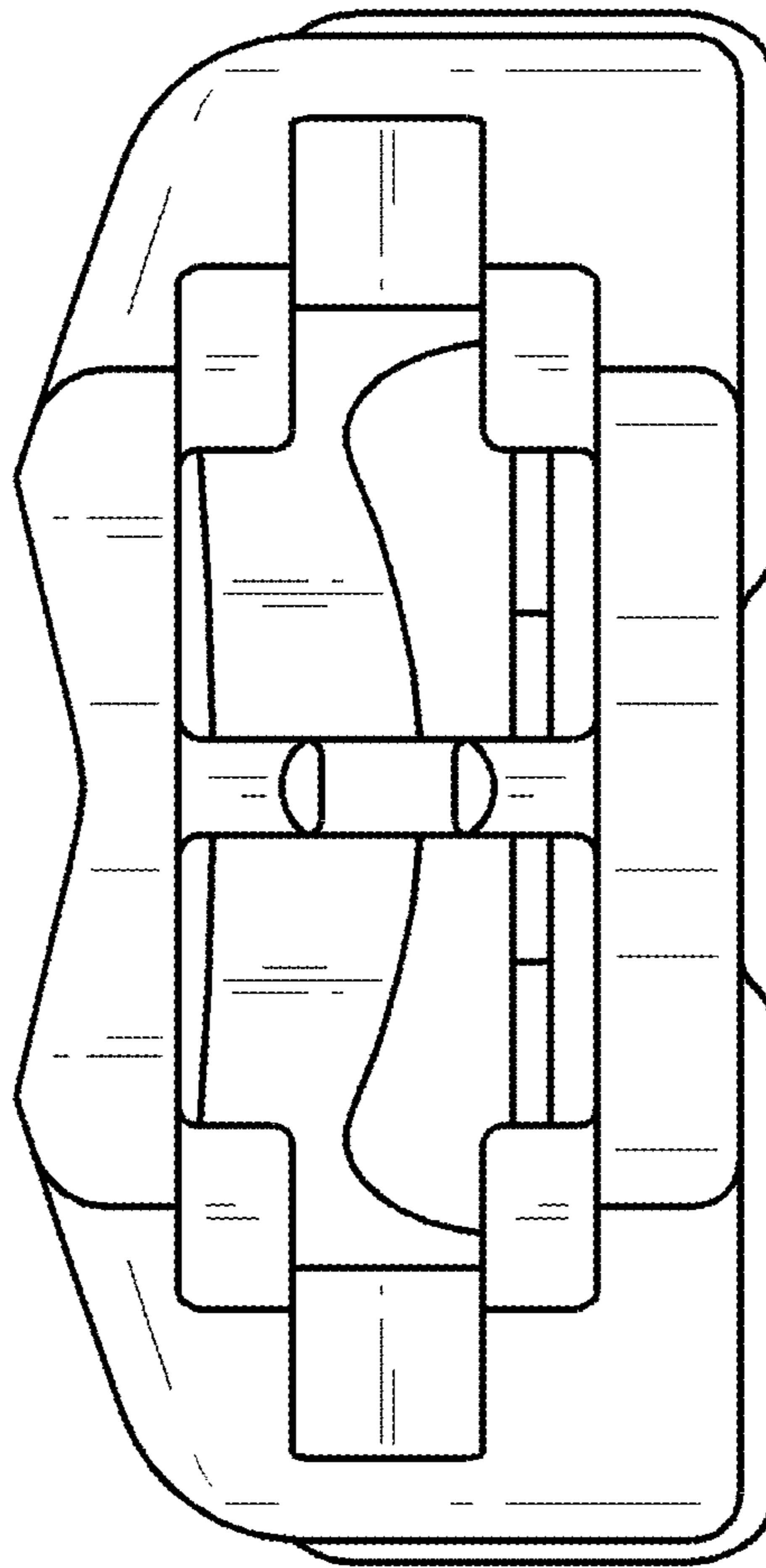


Fig. 6

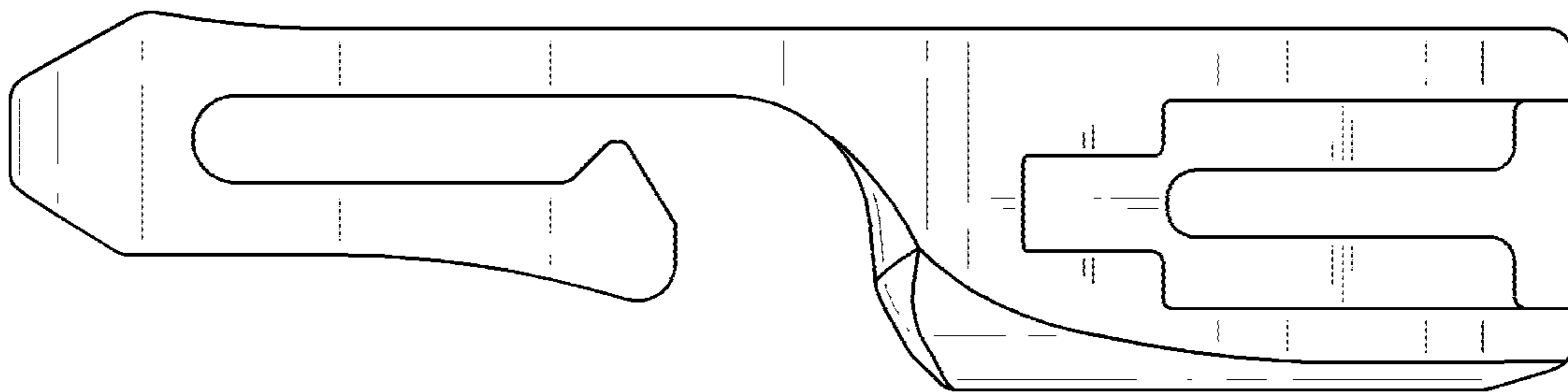


Fig. 7

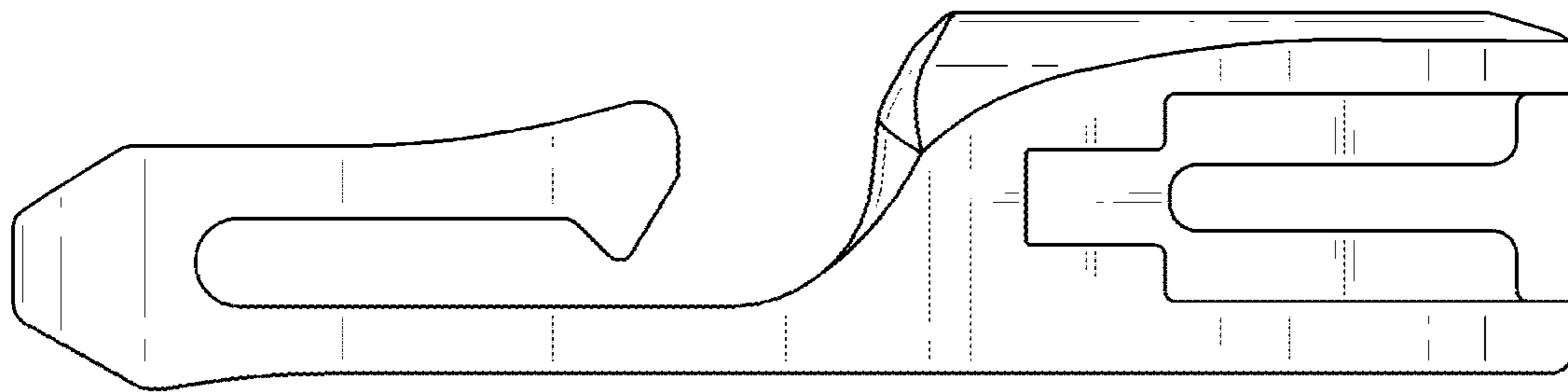


Fig. 8

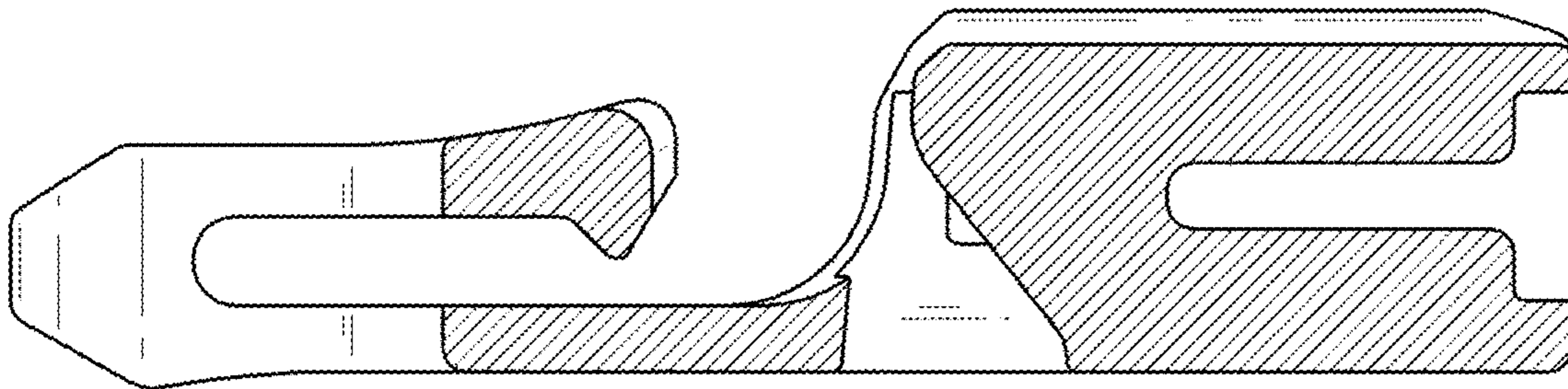


Fig. 9

