



US00D880348S

(12) **United States Design Patent** (10) **Patent No.:** **US D880,348 S**
Kauk (45) **Date of Patent:** **** Apr. 7, 2020**

(54) **LEVER ACTION RIFLE FLAGPOLE**

(71) Applicant: **Eric Allen Kauk**, Dade City, FL (US)

(72) Inventor: **Eric Allen Kauk**, Dade City, FL (US)

(**) Term: **15 Years**

(21) Appl. No.: **29/647,285**

(22) Filed: **May 11, 2018**

(51) **LOC (12) Cl.** **11-05**

(52) **U.S. Cl.**
USPC **D11/172**

(58) **Field of Classification Search**
USPC D11/165, 166, 180, 181, 182, 183;
D8/373, 376, 380, 391; D20/16, 17, 28,
D20/41-43; D21/840; D22/103, 142;
D24/228

CPC G09F 17/00; G09F 2017/00; G09F
2017/0066; G09F 2017/0075; G09F
2017/005; G09F 2017/0008

See application file for complete search history.

(56) **References Cited**

U.S. PATENT DOCUMENTS

D44,034 S	5/1913	Searle	
D54,325 S	12/1919	Martin	
1,685,730 A *	9/1928	Tippetts	F41B 3/005 124/22
D108,985 S *	3/1938	Pugsley	D22/103
D117,638 S *	11/1939	Pugsley	D22/103
D160,151 S *	9/1950	Duncan	D22/103
D188,193 S	6/1960	Stoner	
D271,230 S *	11/1983	Ingrham	D22/103
D299,673 S *	1/1989	Knight	D22/103
D340,092 S	10/1993	Carter	
D416,305 S	11/1999	Ruger et al.	
6,301,817 B1 *	10/2001	Hogue	F41C 23/18 42/71.01
D529,839 S	10/2006	Howald	
7,716,864 B2 *	5/2010	Skrubis	F41A 3/66 42/71.01

D638,086 S *	5/2011	Salva	D22/103
D641,824 S	7/2011	Gridelet	
D651,274 S *	12/2011	Moretti	D22/103
D667,072 S	9/2012	Kriegleder	
D670,783 S	11/2012	Barrett	
D671,182 S *	11/2012	Klotz	D22/103
D678,453 S *	3/2013	Klotz	F41C 23/18 D22/103
D679,356 S *	4/2013	Klotz	F41B 3/005 D22/103
D679,772 S	4/2013	Mossberg, Jr.	
D680,611 S	4/2013	Emde et al.	

(Continued)

OTHER PUBLICATIONS

(Rifle Flagpole at American Legion Post 145, dated Sep. 19, 2011, found on Nov. 26, 2019 at <http://www.dalejtravis.com/interest/misc/htm/misc008.htm>.*

(Continued)

Primary Examiner — Karen S Acker

(74) *Attorney, Agent, or Firm* — Jonathan Brown

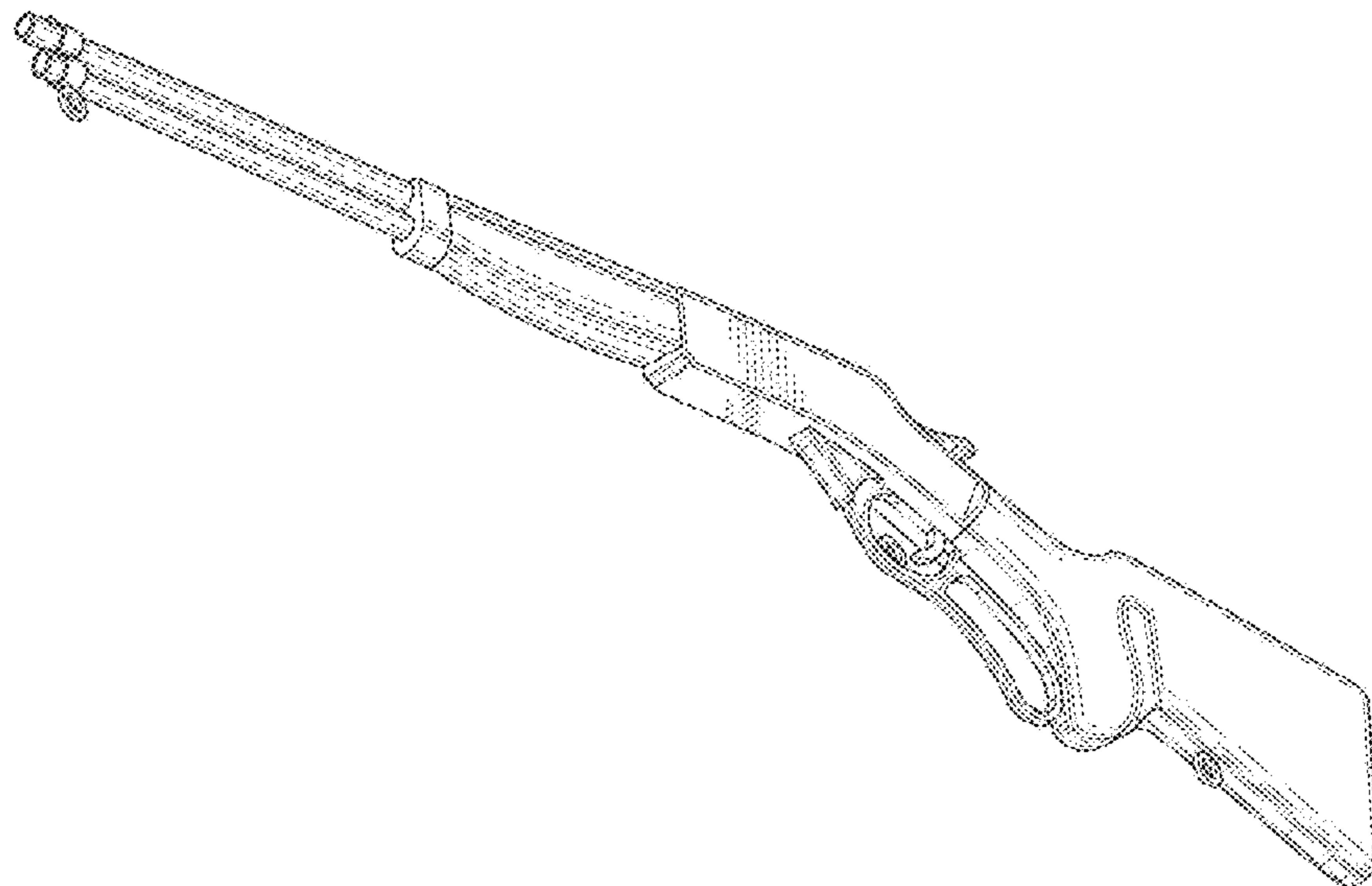
(57) **CLAIM**

The ornamental design for a lever action rifle flagpole, as shown and described.

DESCRIPTION

FIG. 1 is a side perspective view of a lever action rifle flagpole showing the new design;
FIG. 2 is a right side view (in relation to the front elevational view) thereof;
FIG. 3 is a left side view (in relation to the front elevational view) thereof;
FIG. 4 is a top plan view thereof; and
FIG. 5 is a bottom plan view thereof.
FIG. 6 is a front elevational view thereof; and,
FIG. 7 is a rear perspective view thereof.

1 Claim, 4 Drawing Sheets



(56)

References Cited

U.S. PATENT DOCUMENTS

D684,325 S	6/2013	Newman	
D697,161 S *	1/2014	Kera	D22/108
D706,673 S	6/2014	Lingo et al.	
D717,386 S *	11/2014	Moretti	D22/103
D719,234 S	12/2014	Hochstrate	
D723,644 S *	3/2015	Alis	D22/103
D729,117 S	5/2015	Bishop	
9,404,694 B2	8/2016	Hochstrate et al.	
D777,867 S *	1/2017	Moretti	F41A 3/12 D22/103
D778,384 S	2/2017	Zlobin et al.	
D779,723 S	2/2017	Marrakchi	
D795,981 S	8/2017	Martelli et al.	
2007/0214696 A1 *	9/2007	Barnett	F41A 3/12 42/16
2014/0251201 A1	9/2014	Lingo et al.	

OTHER PUBLICATIONS

A Pro-Gun Group Stole Bloomberg's Gun Safety Group's Name on Facebook, posted Apr. 16, 2014 found on Nov. 26, 2019 at <https://www.buzzfeednews.com/article/gideonresnick/a-pro-gun-group-stole-bloombergs-gun-safety-groups-name-on-f>.*

* cited by examiner

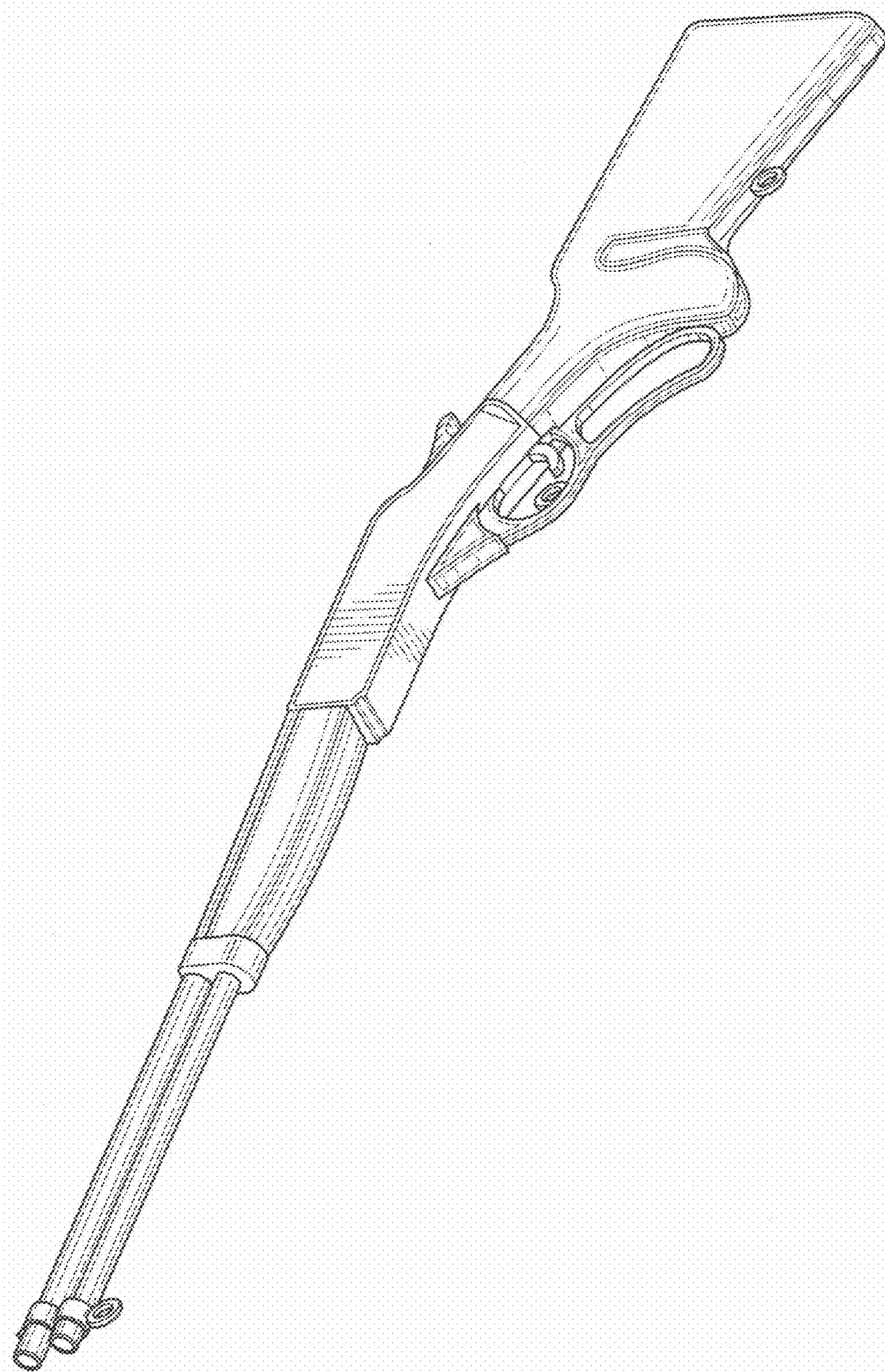


FIG. 1

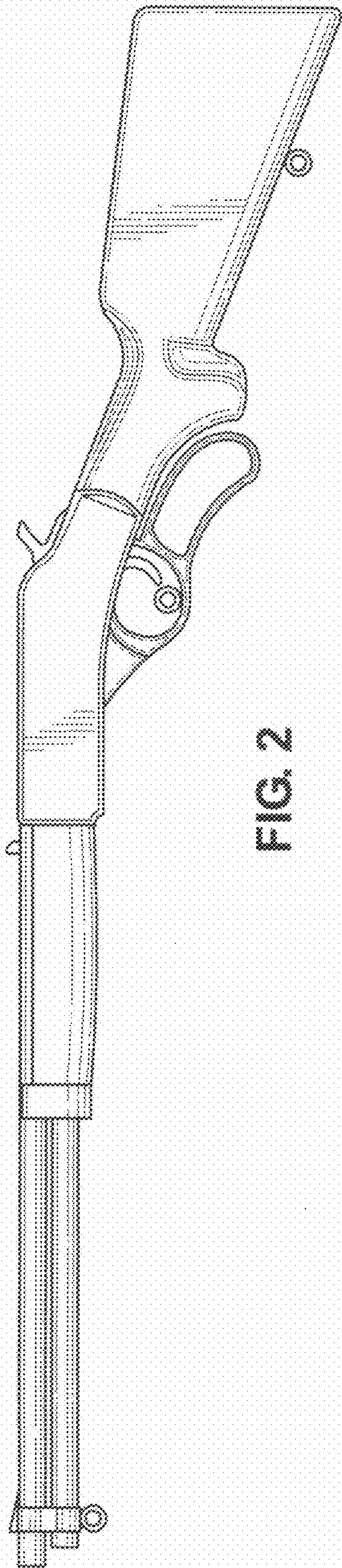


FIG. 2

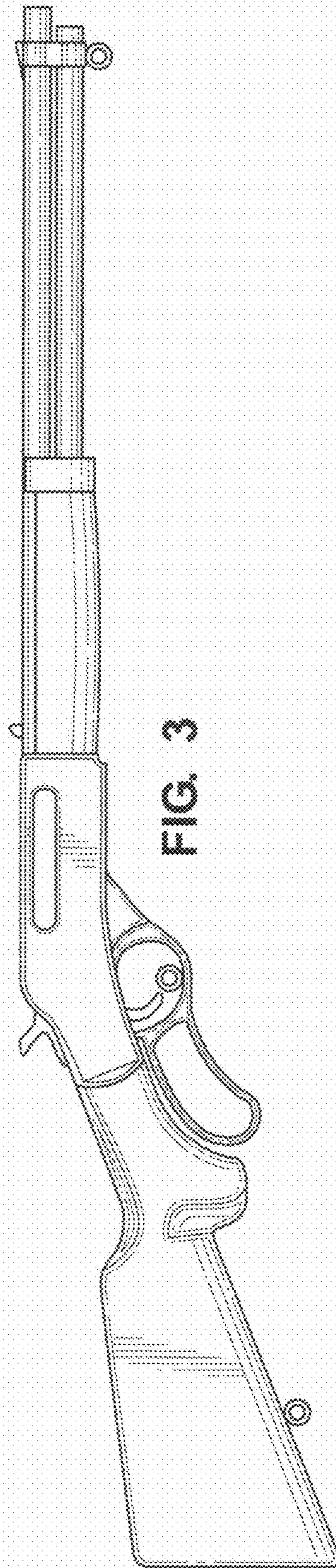


FIG. 3

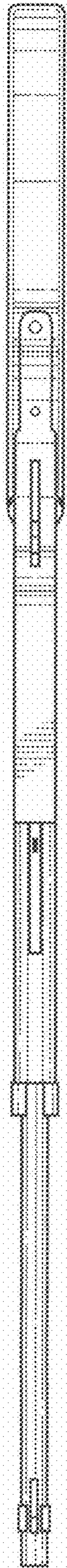


FIG. 4



FIG. 5



FIG. 7

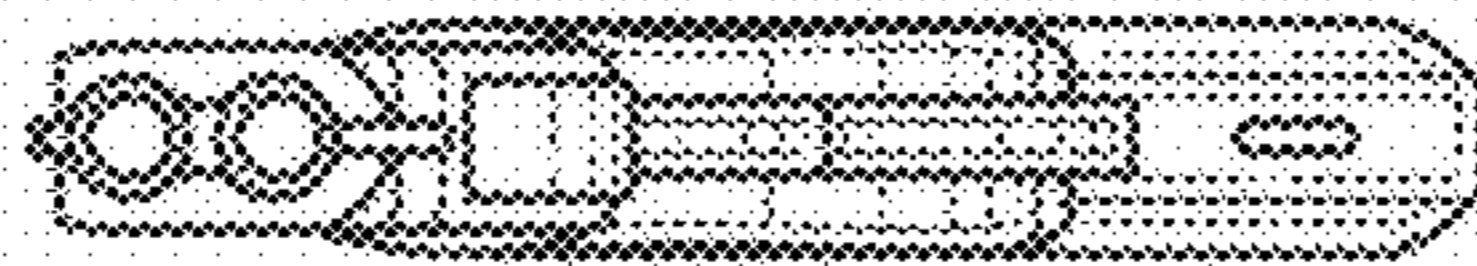


FIG. 6