



US00D880340S

(12) **United States Design Patent**
El Karout

(10) **Patent No.:** **US D880,340 S**

(45) **Date of Patent:** **** Apr. 7, 2020**

(54) **JEWELRY RING**

(71) Applicant: **Hind El Karout**, Principauté de Monaco (MC)

(72) Inventor: **Hind El Karout**, Principauté de Monaco (MC)

(**) Term: **15 Years**

(21) Appl. No.: **29/657,486**

(22) Filed: **Jul. 23, 2018**

(51) **LOC (12) Cl.** **11-01**

(52) **U.S. Cl.**
USPC **D11/34**

(58) **Field of Classification Search**
USPC D11/1-5, 16, 26-39, 49, 91, 92
CPC A44C 9/00; A44C 9/0007; A44C 9/0015;
A44C 9/0023; A44C 9/003; A44C 9/0038;
A44C 9/0046; A44C 9/0053; A44C 9/0061;
A44C 9/0069; A44C 9/0076; A44C 9/0084;
A44C 9/0092; A44C 9/02; A44C 17/02; A44C 17/0208;
A44C 17/0216; A44C 17/0225; A44C 17/0233;
A44C 17/0241; A44C 17/025; A44C 17/0258;
A44C 17/0266; A44C 17/0275; A44C 17/0283;
A44C 17/0291
See application file for complete search history.

(56) **References Cited**

U.S. PATENT DOCUMENTS

D50,807 S * 5/1917 Bowden et al. D11/38
D61,700 S * 11/1922 Weinberg D11/38

D80,947 S * 4/1930 Gross D11/35
D143,923 S * 2/1946 Lieber D11/38
D255,436 S * 6/1980 Bogner D11/38
D312,593 S * 12/1990 Bulgari D11/38
D343,590 S * 1/1994 Dubs D11/20
D376,556 S * 12/1996 Indorf D11/29
D378,944 S * 4/1997 Yan D11/39
D816,533 S * 5/2018 Maier D11/4
2019/0174885 A1 * 6/2019 Tata A44C 9/003

OTHER PUBLICATIONS

[Online] Grafik—White Gold and Diamond Ring Small Model.
<https://hrh.com/collections/rings/products/grafik-small-model-paved-ring-white-gold>. Retrieved Nov. 24, 2019.*

* cited by examiner

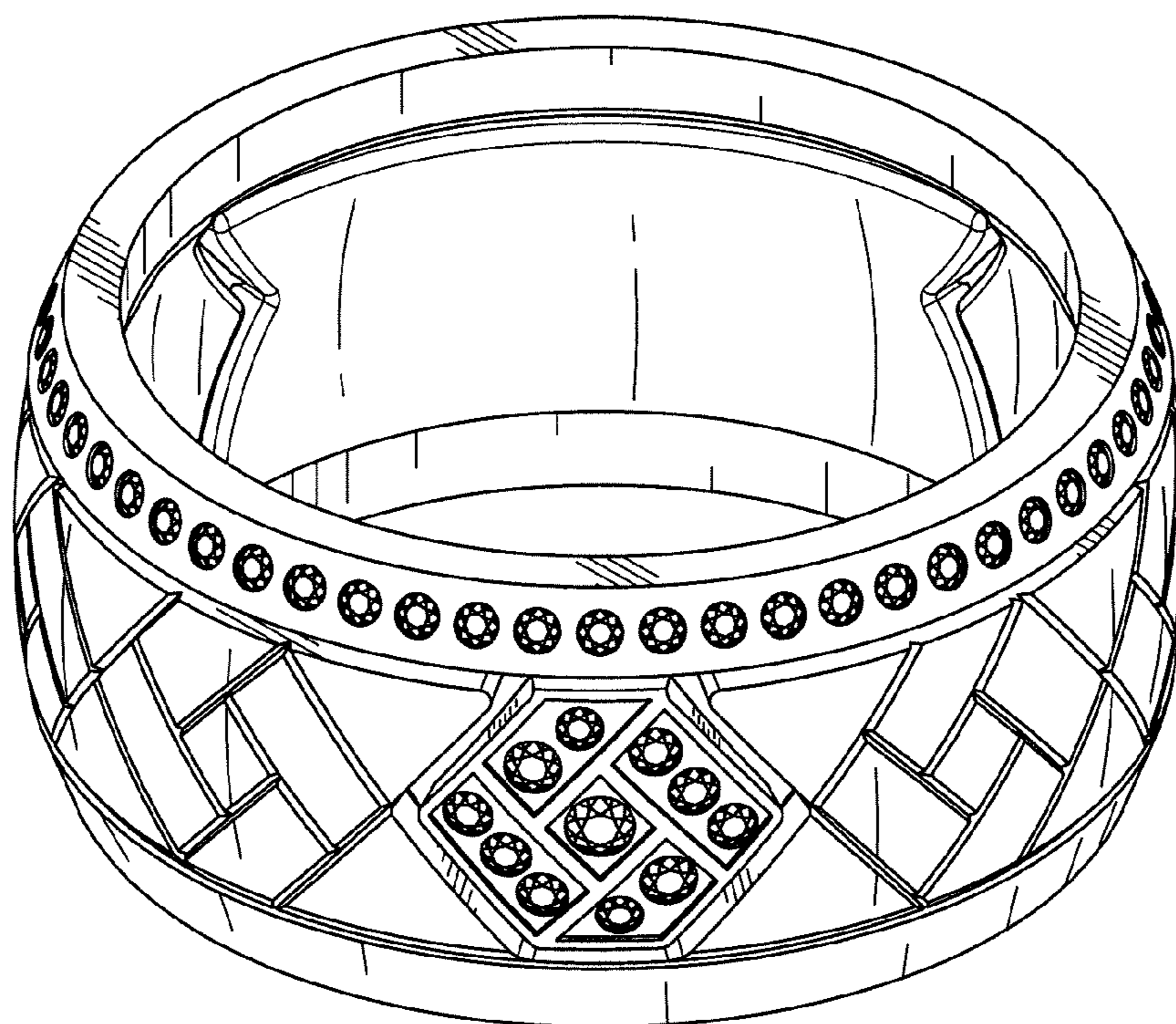
Primary Examiner — Melanie Pellegrini
(74) *Attorney, Agent, or Firm* — Roberts Calderon Safran & Cole P.C.

(57) **CLAIM**
The ornamental design for a jewelry ring, as shown and described.

DESCRIPTION

FIG. 1 is a perspective, front view of a jewelry ring embodying the design of the invention;
FIG. 2 is a front view of the jewelry ring of FIG. 1;
FIG. 3 is a rear view of the jewelry ring of FIG. 1;
FIG. 4 is a top view of the jewelry ring of FIG. 1;
FIG. 5 is a bottom view of the jewelry ring of FIG. 1;
FIG. 6 is a right side view of the jewelry ring of FIG. 1; and,
FIG. 7 is a left side view of the jewelry ring of FIG. 1.

1 Claim, 5 Drawing Sheets



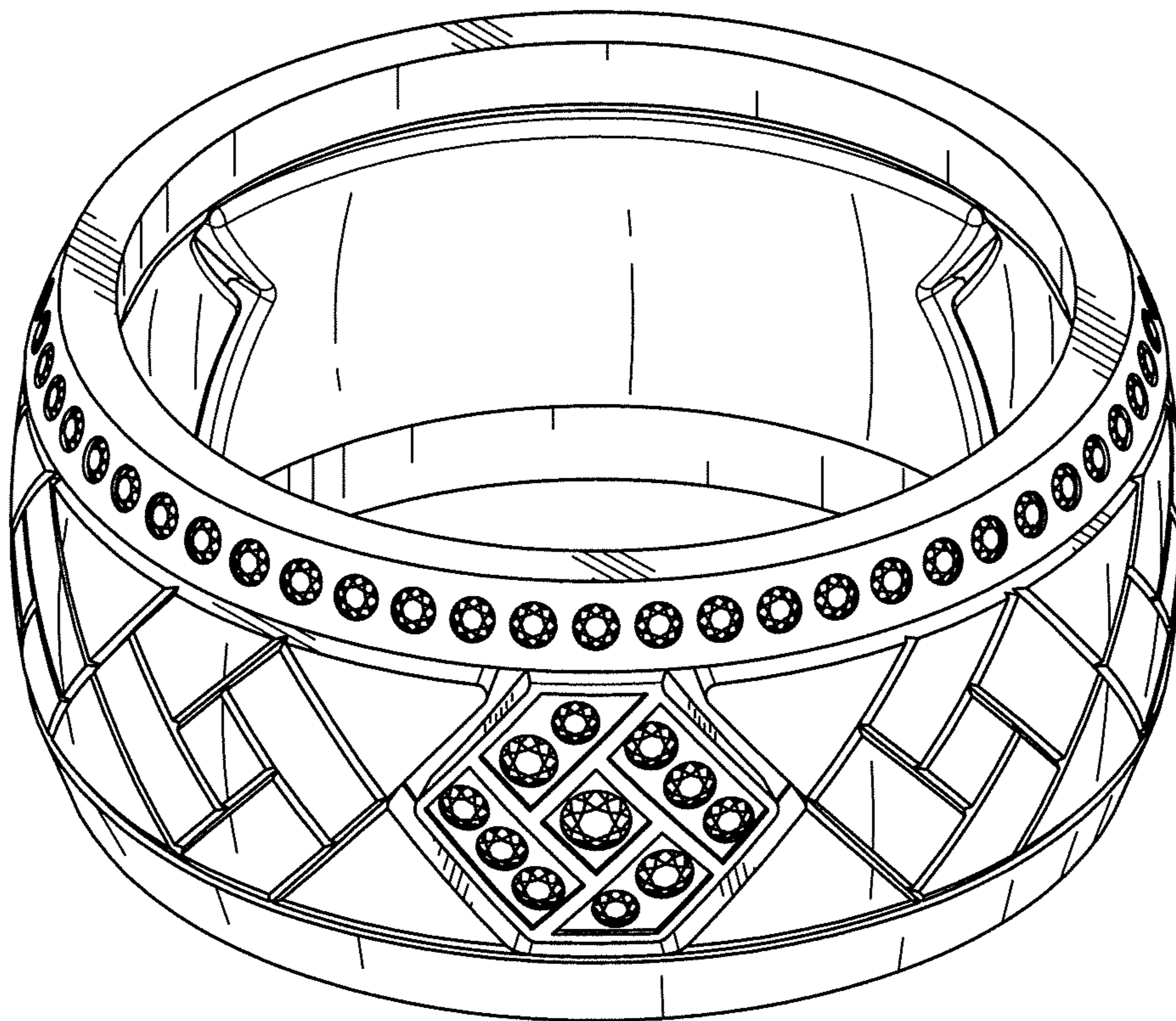


FIG. 1

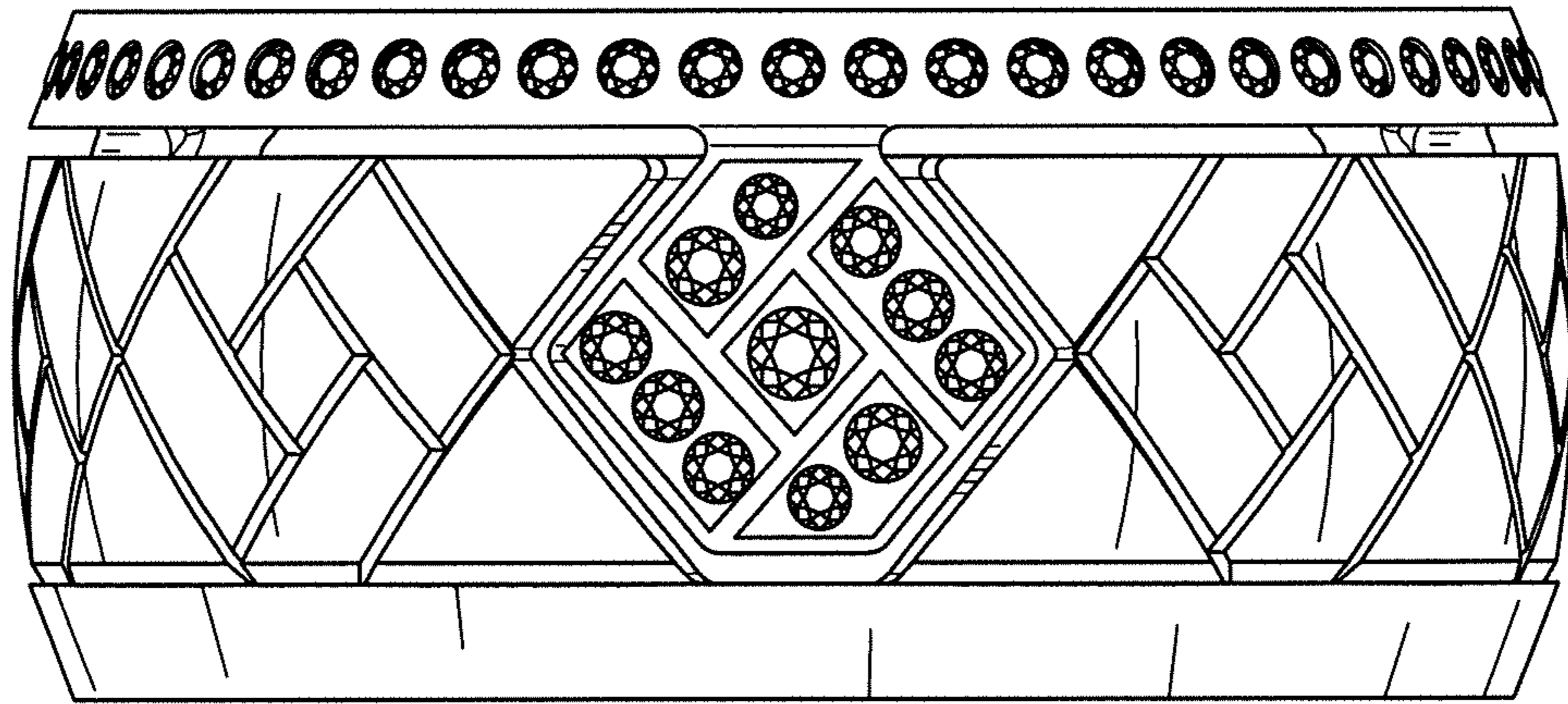


FIG. 2

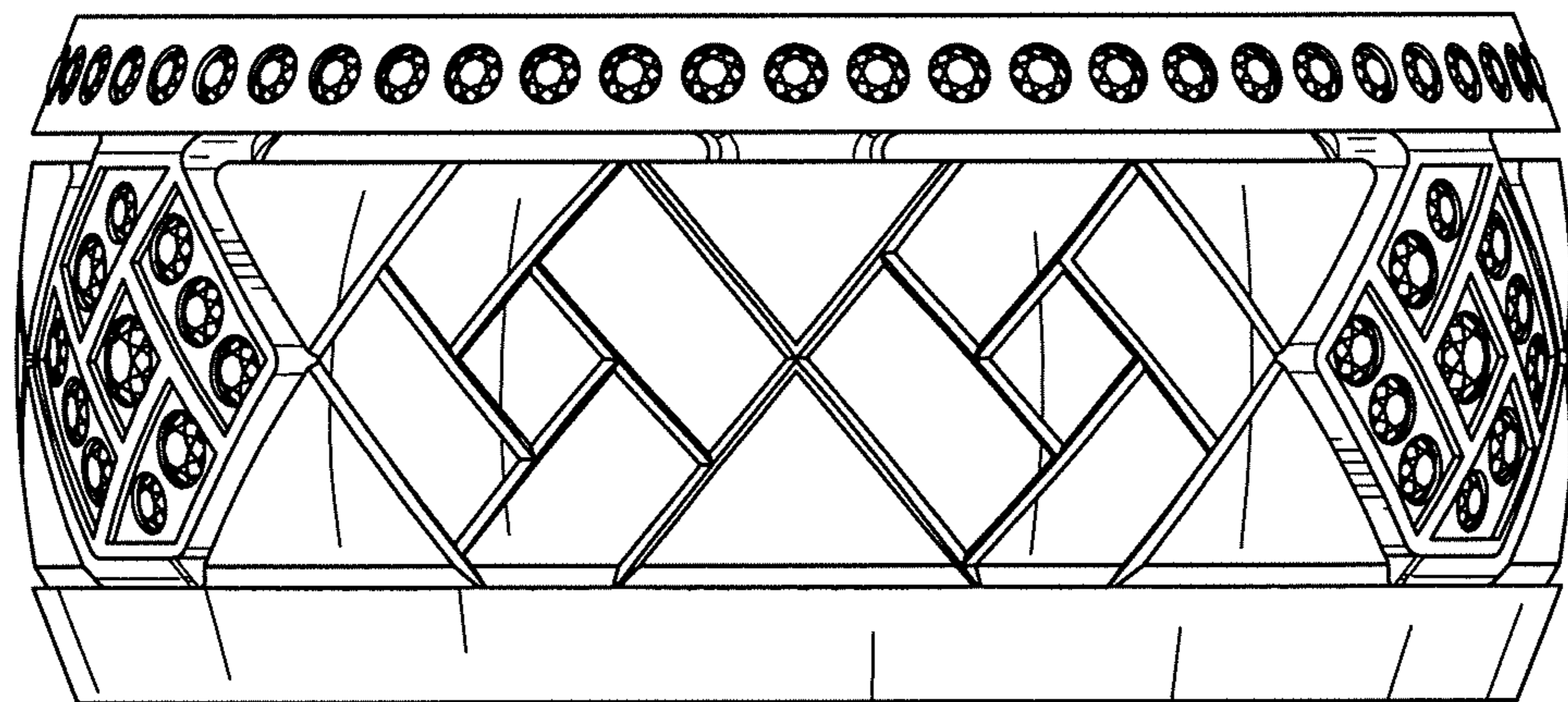


FIG. 3

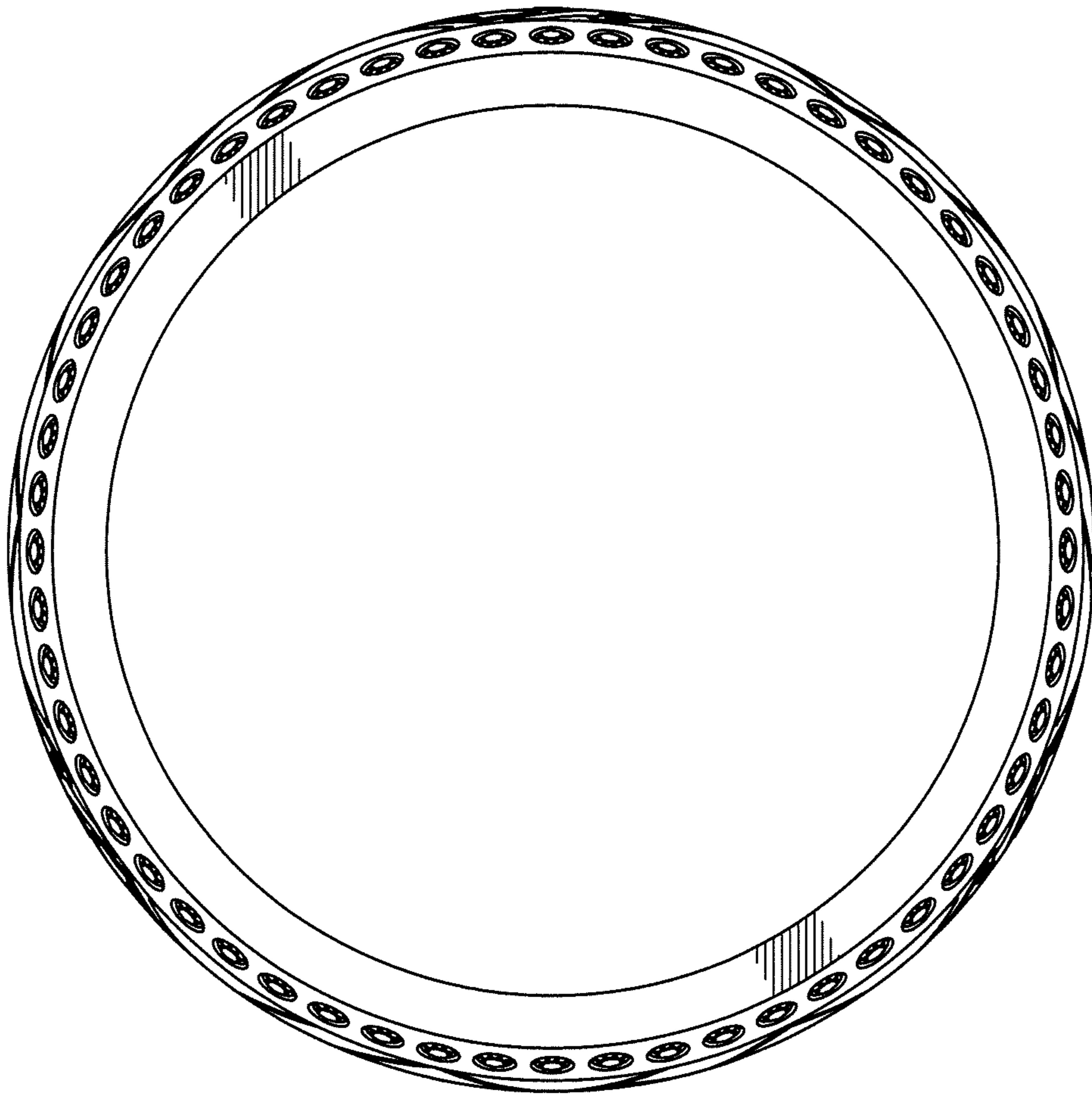


FIG. 4

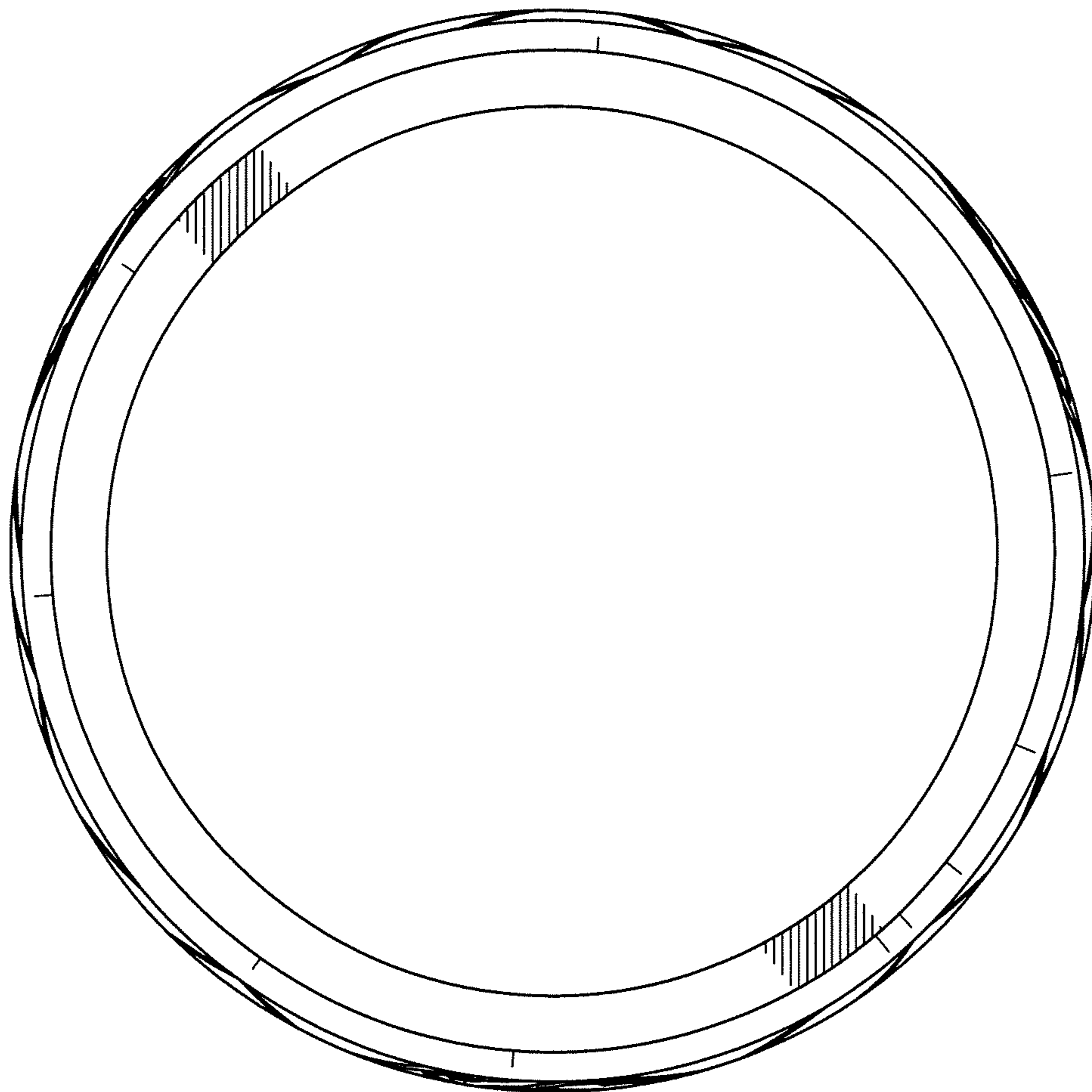


FIG. 5

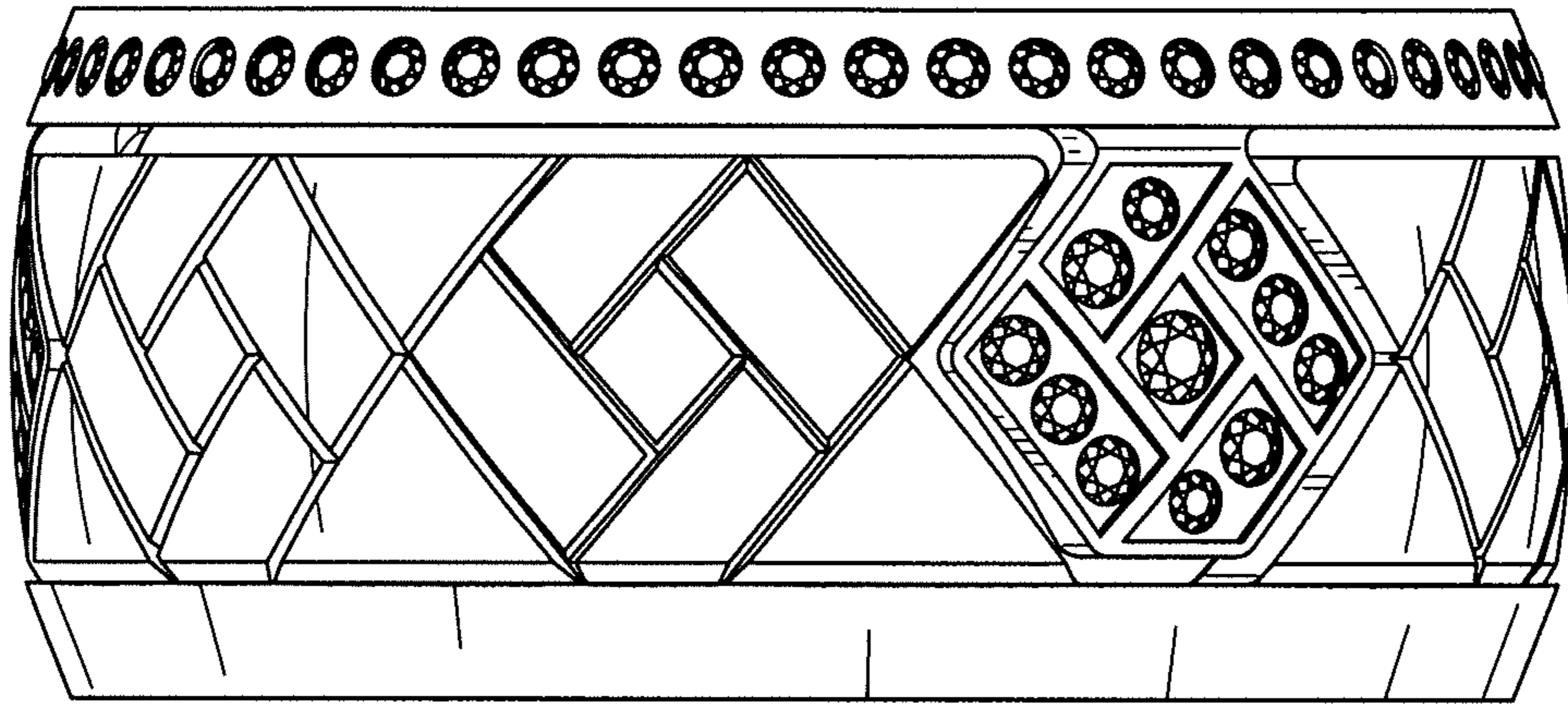


FIG. 6

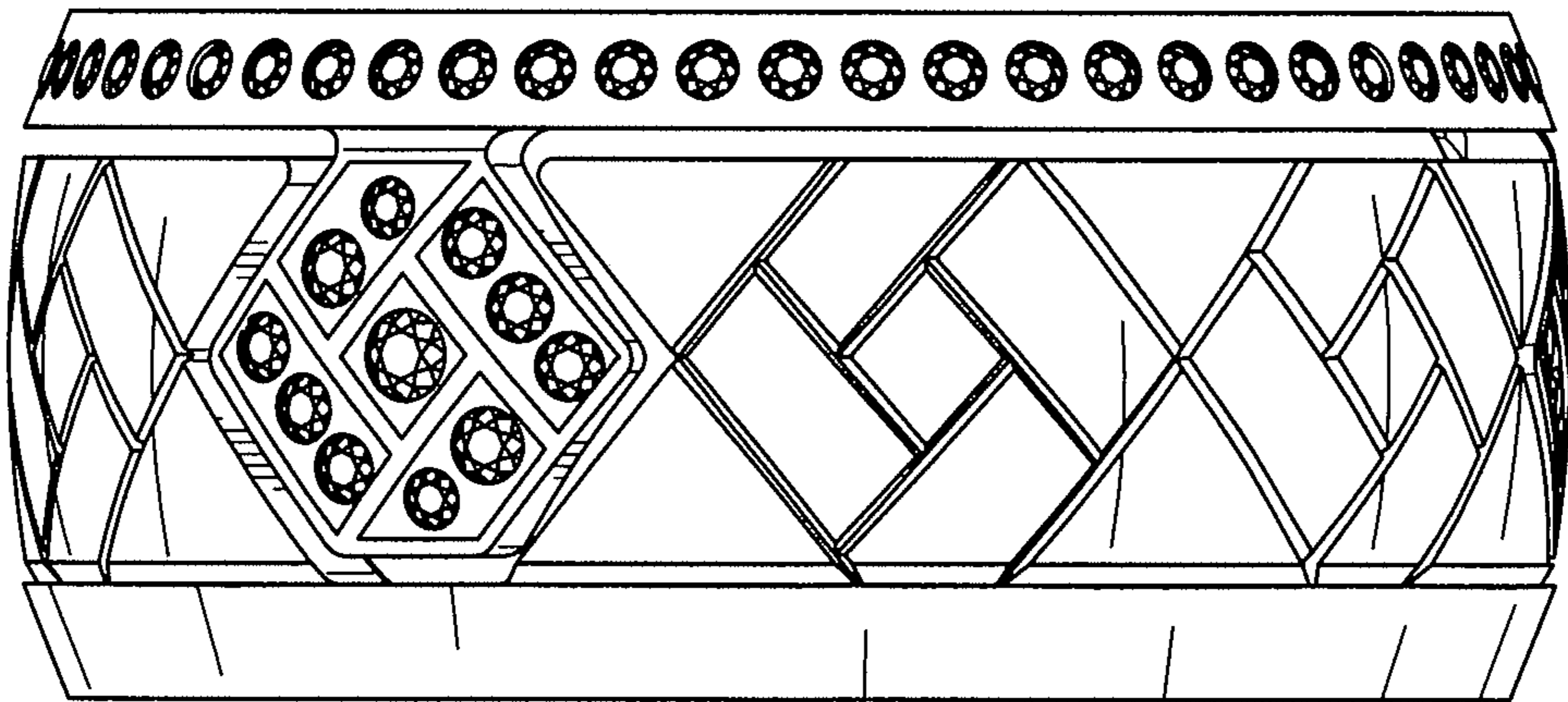


FIG. 7