

US00D880332S

(12) **United States Design Patent** (10) **Patent No.:** **US D880,332 S**
Charrier (45) **Date of Patent:** **** Apr. 7, 2020**

(54) **WATCH DIAL**
(71) Applicant: **Richemont International SA,**
Villars-sur-Glane (CH)
(72) Inventor: **Alix Charrier,** Avallon (FR)
(73) Assignee: **Richemont International SA,**
Villars-sur-Glane (CH)
(**) Term: **15 Years**

D320,946 S * 10/1991 Crocco D10/32
D336,616 S * 6/1993 Gueit D10/128
D356,042 S * 3/1995 Nakanishi D10/30
D470,776 S * 2/2003 Blondin D10/30
D565,432 S * 4/2008 Colombo D10/39
D566,585 S * 4/2008 Belamich D10/39
D576,055 S * 9/2008 Vaptzarof D10/39
D584,644 S * 1/2009 De Givenchy D10/39
D594,352 S * 6/2009 Belamich D10/39
D598,304 S * 8/2009 Belamich D10/39
D645,362 S * 9/2011 Houlihan D10/38
D705,084 S * 5/2014 Emmenegger D10/32

(Continued)

(21) Appl. No.: **29/646,893**
(22) Filed: **May 8, 2018**

(30) **Foreign Application Priority Data**

Nov. 8, 2017 (WO) DM/098786

(51) **LOC (12) Cl.** **10-07**
(52) **U.S. Cl.**
USPC **D10/126**

(58) **Field of Classification Search**
USPC D10/1-2, 6, 14-15, 30-39, 40-41, 98,
D10/102, 121-126, 128-129; D11/3-5,
D11/12, 18-19, 23, 93; D14/344
CPC .. A44C 5/02; G04B 17/28-285; G04B 19/00;
G04B 19/048; G04B 19/06; G04B
19/065; G04B 19/08; G04B 19/085;
G04B 19/087; G04B 19/10; G04B
19/103; G04B 19/106; G04B 19/12;
G04B 19/16; G04B 19/22; G04B 19/223;
G04B 19/24; G04B 19/243; G04B 29/00;
G04B 37/00; G04B 37/008; G04B
37/0058; G04B 37/12; G04B 37/14;
G04B 37/1486; G04B 45/0069; G04B
45/0076; G04B 47/00; G04B 47/048

See application file for complete search history.

(56) **References Cited**

U.S. PATENT DOCUMENTS

D147,601 S * 9/1947 Stern D10/1
3,675,295 A * 7/1972 Feller G04B 19/06
29/896.32

OTHER PUBLICATIONS

Baume Mercier Clifton Club Burt Munro Tribute lwatchtime.com
Nov. 7, 2017 [online]. © 2019 Ebner Publishing Internat'l, Inc.
[retrieved Mar. 25, 2019] from Internet: <https://www.watchtime.
com/wristwatch-industry-news/watches/baume-mercier-clifton-club-
burt-munro-tribute-honors-a-motorcycle-racing-legend/> (Year: 2017).*

(Continued)

Primary Examiner — Sandra S Snapp
Assistant Examiner — Katherine Glennon
(74) *Attorney, Agent, or Firm* — Taft Stettinius &
Hollister LLP

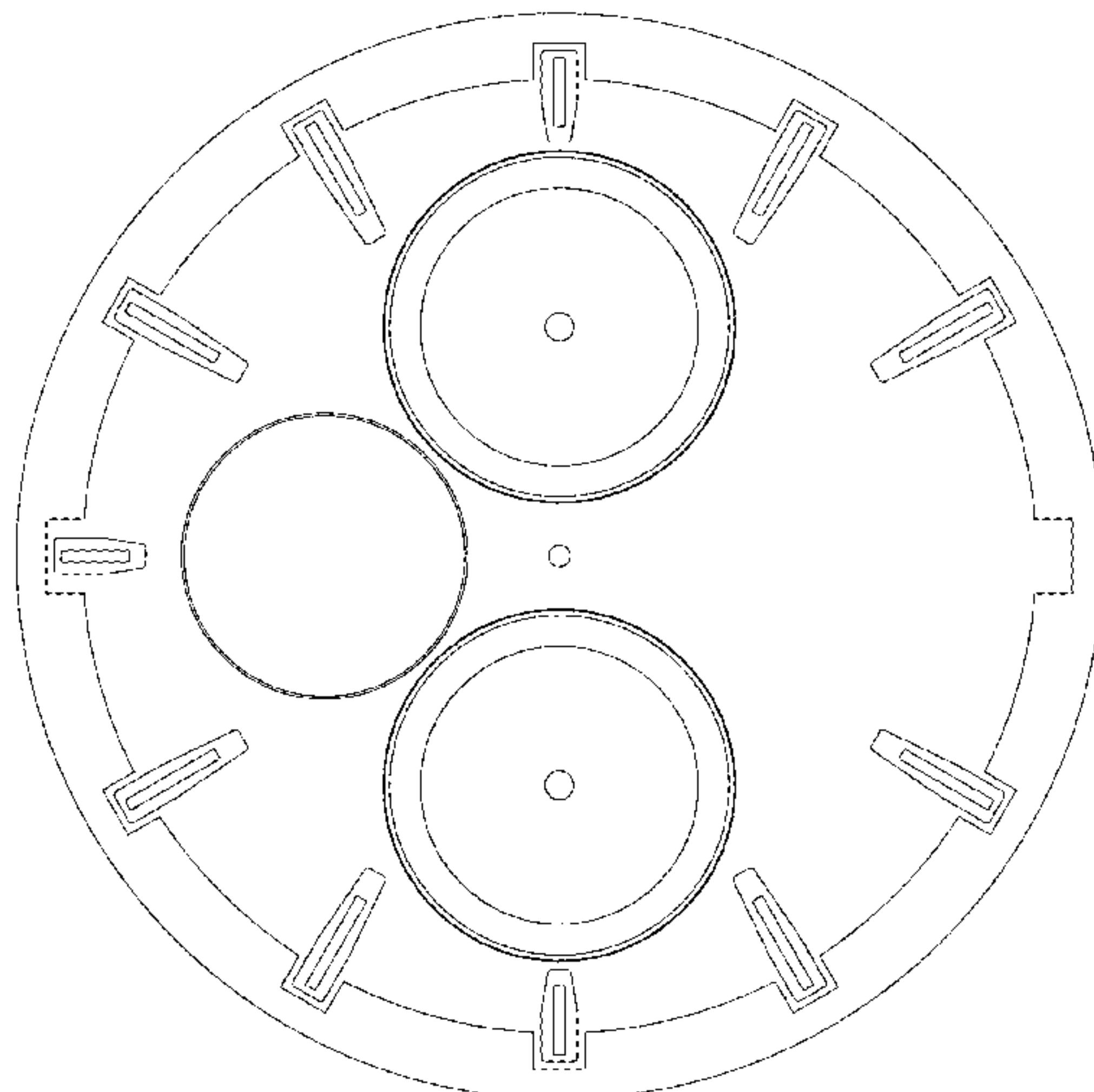
(57) **CLAIM**

The ornamental design for a watch dial, as shown and
described.

DESCRIPTION

FIG. 1 is a front elevational view of a watch dial showing my
new design;
FIG. 2 is a back elevational view thereof;
FIG. 3 is a side view thereof; and,
FIG. 4 is a front, right side perspective view thereof.

1 Claim, 4 Drawing Sheets



(56)

References Cited

U.S. PATENT DOCUMENTS

D711,750	S *	8/2014	Monachon	D10/39
D719,850	S *	12/2014	Kita	D10/32
D722,901	S *	2/2015	Cerrato	D10/126
D730,751	S *	6/2015	Belamich	D10/126
D744,863	S *	12/2015	Behling	D10/126
D746,712	S *	1/2016	Cerrato	D10/124
9,665,070	B2 *	5/2017	Dordor	G04C 17/0058
D792,247	S *	7/2017	Davoli	D10/30
D792,786	S *	7/2017	Davoli	D10/30
D797,577	S *	9/2017	Kauffmann	D10/30
D820,139	S *	6/2018	Monachon	D10/126
D831,519	S *	10/2018	Monachon	D10/126
D834,980	S *	12/2018	Le Bot	D10/126
D840,844	S *	2/2019	Le Bot	D10/39
2011/0235473	A1 *	9/2011	Kawata	G04C 3/001
					368/112
2015/0205263	A1 *	7/2015	Momose	G04B 19/06
					368/232
2018/0231942	A1 *	8/2018	Sawada	G04R 60/10

OTHER PUBLICATIONS

Baume Mercier Clifton Club Burt Munro LE | posted at hodinkee.com Nov. 6, 2017 [online]. © 2009-2019, Hodinkee Inc [retrieved Mar. 26, 2019] from Internet: <<https://www.hodinkee.com/articles/clifton-club-burt-munro-tribute-limited-edition-introducing>> (Year: 2017).*

Baume et Mercier Clifton Club | posted at hodinkee.com Jan. 2017 © 2009-2018, Hodinkee Inc [online][site visited Sep. 24, 2018]. Available from internet: <<https://www.hodinkee.com/articles/baume-and-mercier-clifton-club-collection-introducing>> (Year: 2017).*

* cited by examiner

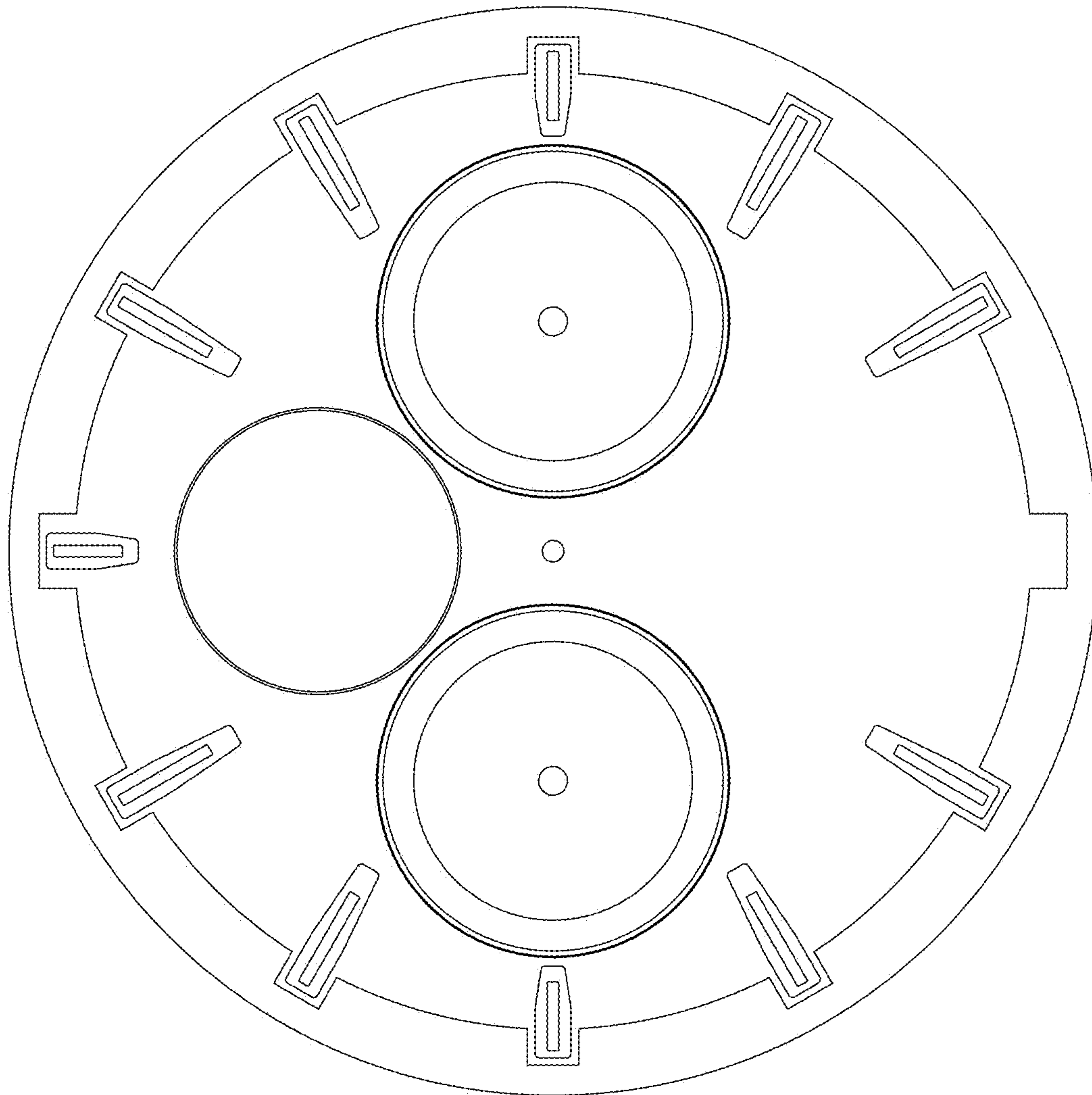


Fig. 1

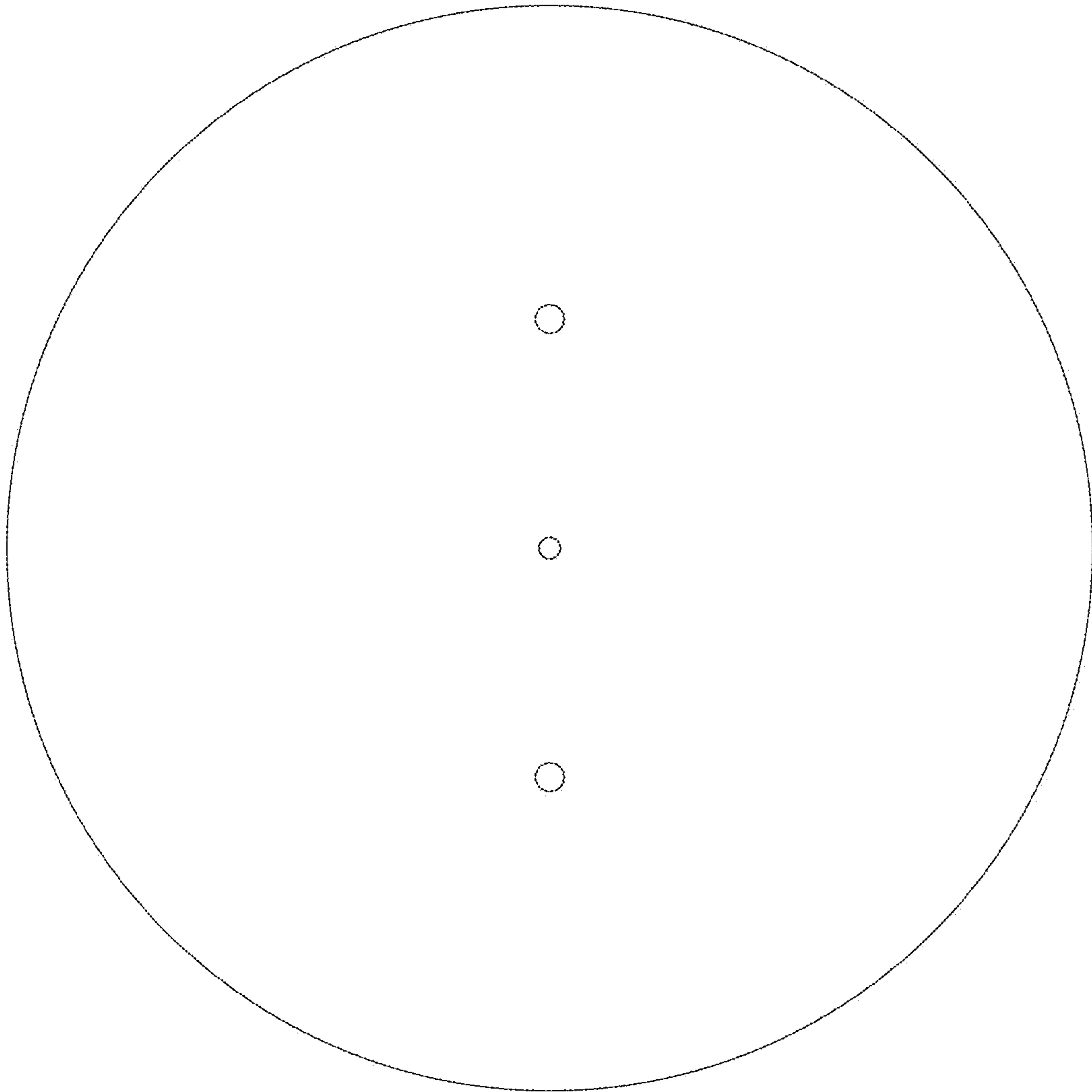


Fig. 2



Fig. 3

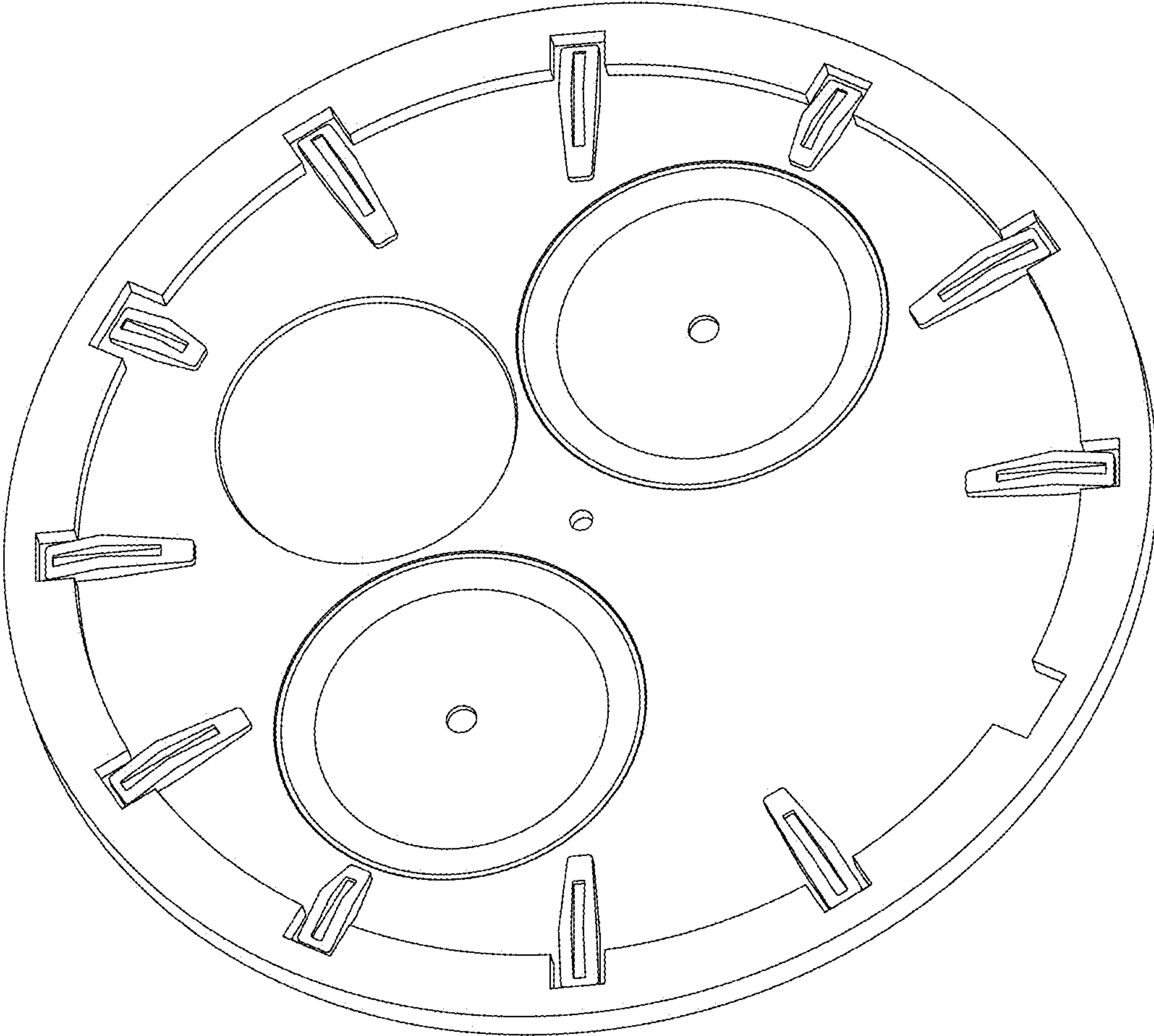


Fig. 4